

STA-RITE®

SWIMQUIP™ BRAND

UNDERWATER POOL LIGHTS AND NICHES

FOR 12 and 120 Volt Light Fixtures

O W N E R ' S M A N U A L



INSTALLATION, OPERATION & PARTS

Pentair Water Pool and Spa, Inc.

1620 Hawkins Ave., Sanford, NC 27330 • (800) 831-7133 or (919) 566-8000
10951 West Los Angeles Ave., Moorpark, CA 93021 • (800) 831-7133 or (805) 553-5000

Visit us on the Internet at: www.pentairpool.com or www.staritepool.com

S344 (Rev. A 10/29/07)



Attention Installer: This manual contains important information about the installation, operation and safe use of this product. This information should be given to the owner and/or operator of this equipment after installation.



WARNING — Before installing this product, read and follow all warning notices and instructions which are included. Failure to follow safety warnings and instructions can result in severe injury, death, or property damage. Call (800) 831-7133 for additional free copies of these instructions.



DANGER! Risk of Electrical Shock or Electrocution!



This product must be installed by a licensed or certified electrician or a qualified pool serviceman in accordance with the National Electrical Code and all applicable local codes and ordinances. Improper installation will create an electrical hazard which could result in death --- or serious injury to pool users, installers or others due to electrical shock, and may also cause damage to property. Always disconnect the power to the pool light at the circuit breaker before servicing the light. Failure to do so could result in death or serious injury to serviceman, pool users or others due to electrical shock. **READ AND FOLLOW ALL INSTRUCTIONS IN THIS MANUAL.**



WARNING — Important Safety Information for Pentair Niche and Light Installation


- All Niche and Light installations must conform with all codes.
- Under no circumstances replace lights by splicing wire under water or behind niche.


© 2007 Pentair Water Pool and Spa, Inc. All rights reserved.


This document is subject to change without notice.


Trademarks and Disclaimers: Sta-Rite is a registered trademark of Sta-Rite Industries, LLC. Swimquip is a trademark of Sta-Rite Industries, LLC. Other trademarks and trade names may be used in this document to refer to either the entities claiming the marks and names or their products. Pentair Water Pool and Spa, Inc. disclaims any proprietary interest in trademarks and trade names other than its own.

READ AND FOLLOW SAFETY INSTRUCTIONS!

 This is the safety alert symbol. When you see this symbol on your system or in this manual, look for one of the following signal words and be alert to the potential for personal injury.


 **DANGER** warns about hazards that **will** cause death, serious personal injury, or major property damage if ignored.

 **WARNING** warns about hazards that **can** cause death, serious personal injury, or major property damage if ignored.

 **CAUTION** warns about hazards that **will** or **can** cause minor personal injury or property damage if ignored.


NOTICE indicates special instructions not related to hazards.

Carefully read and follow all safety instructions in this manual and on equipment. Keep safety labels in good condition; replace if missing or damaged.

 **WARNING** **Hazardous voltage** **Incorrectly installed or tested equipment may fail, causing severe injury or property damage.** Read and follow instructions in owner's manual when installing and operating equipment. Have a trained pool professional perform all tests. Use equipment only in a pool or spa installation.


IMPORTANT SAFETY INSTRUCTIONS

Always follow basic safety precautions with this equipment, including the following.

 **WARNING** To reduce the risk of injury, do not permit children to use this product unless they are closely supervised at all times.

SAVE THESE INSTRUCTIONS

 **CAUTION** **Glass breakage hazard.** Do not push off from side of pool against light.

 **CAUTION** **Cutting hazard if light is improperly installed.** This light is for use only in commercial and residential swimming pools and spas. It has not been designed, tested, or approved for use in wave pools, lazy rivers, or other waterpark features, and should not be used in them. Use in any application other than a swimming pool or spa may lead to damage to the light and cuts to swimmers and will void the warranty. Sta-Rite will not be responsible for any damages or injuries due to misapplication of this light.

GENERAL NOTES

1. Install a GFCI as required by the National Electric Code and the Canadian Electrical Code.
2. All wiring should be done by a licensed electrical contractor in accordance with local electrical codes and as required by the National Electric Code or the Canadian Electrical Code, as applicable.
3. See Table I for recommended pool lighting levels. See Table II, Page 6, for light niche bulb and cord specifications.
4. **CAUTION** Risk of burns. Lights over 100W. not recommended for spa installation.

Table I: Typical Lighting Requirements

Type of Pool	Allowance of Watts/Sq. Foot of Pool Area
Small Residential Pools (Less than 800 sq. ft. (75 sq. m.))	1/2 to 1*
Large Public Pools	1 to 1-1/2
Diving Pools (Less than 12 ft. (3.65M) deep)	1-1/2 to 2
Diving Pools (12 to 20 ft. (3.65 to 6M) deep)	2 to 3
Competition Pools	2 to 3**

* One 500 Watt light at deep end of pool is recommended.

** For competition pools:

1. Make sure that the start/finish ends of lanes are well lit.
2. Never install lights in end walls at end of swimming lanes. However, if short course racing is provided across the width of a 50 meter course, light fixtures may be installed between lanes (under racing lines) on a separate switch.

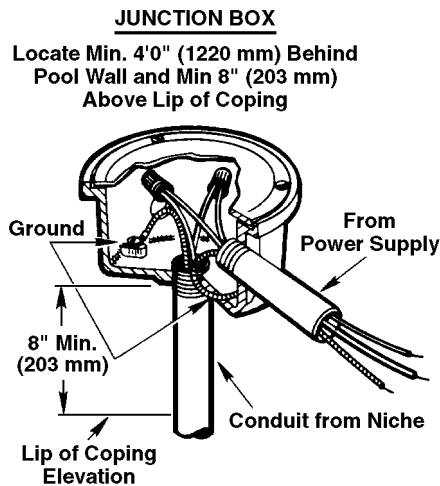


Figure 1: Junction Box, Part #05730-0021

SPECIFICATIONS for WET NICHE LUMINAIRES:

- The light itself is a copper housing with thermostat and porcelain lamp base imbedded in epoxy, heat resistant glass lens, and bulb. It is designed to operate only when fully submerged (recommended submersion depth is from 18 to 60 inches [.5M to 1.5M]). Except when installed in an area of the swimming pool that is not used for swimming and when the lens is adequately guarded to keep

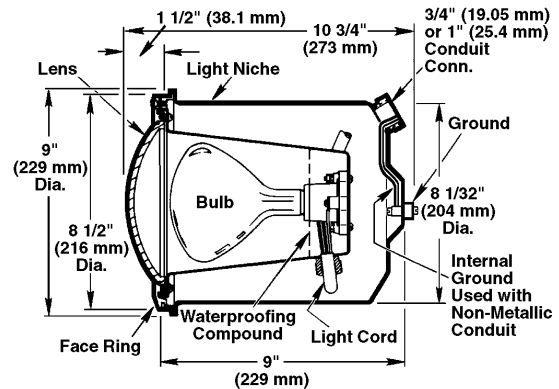


Figure 2: Niche Dimensions

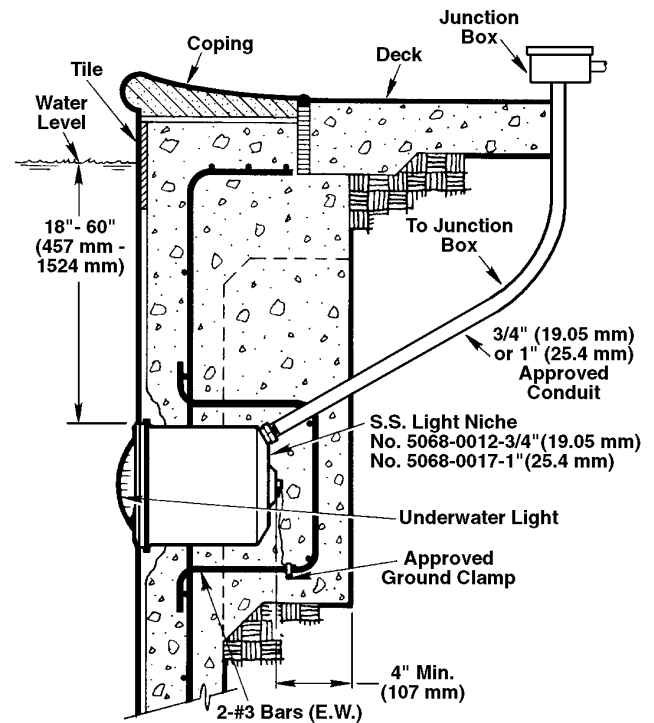


Figure 3: Niche Installation In Gunite Pool

any person from contacting it, install the fixture in or on a pool wall with the top of the lens opening at least 18 in. (.5M) below the normal water level of the pool.

- Lights and niches shall be used in fresh water pools only.
- The lens is heat resistant glass and focuses the light beam in a 30° horizontal arc, with 15° downward deflection, and is sealed by a molded one-piece wrap-around neoprene gasket. A stainless steel face ring with 10 mounting studs fastens the lens to the housing. The studs give uniform pressure around the lens between the face ring and the light housing.
- The housing includes a thermostat switch attached to a porcelain medium base socket, two power terminals, and a ground wire connection. This assembly and the cord terminals are encapsulated in epoxy ("potted") to waterproof all connections. Housings for 120-volt systems include a "current collector" to ground the system in case of lens and bulb breakage.

- The light niche is formed stainless steel with 3/4" (19.05mm) or 1" (25.4 mm) I.P.S. stainless steel conduit connection and a cast bronze mounting ring. The mounting ring has a locking lug at the bottom and a tapped boss for a vandal proof securing screw at the top. Niches are provided with a No. 6 grounding connector inside for use with non-metallic conduit. Encapsulate this connection after installation of a No. 8 AWG (8,4 mm²) copper bonding wire in USA (as stated in NEC) or No. 6 AWG (14 mm²) copper bonding wire in Canada (as stated in CEC). Bulb shall be medium base, 12 volt, 100 or 300 watts (as appropriate) or medium base 120 volt 500 watts.
- The light niche is formed stainless steel with an I.P.S. stainless steel conduit connection (see Figures 2 and 3) and a mounting ring. The mounting ring has a locking lug matching the bottom of the light face ring and at the top is provided with a tapped boss for a vandal proof lock screw.
- Transformers for 12 volt light systems shall meet all requirements of NEC and UL, or CEC and CSA. Secondary (output) voltage shall be 12 volts AC. Secondary (output) current shall be 25 amps for each 300 watt light, or 8.5 amps for each 100 watt light.

Niche Installation in Gunite Pools:

1. Prior to guniting pool, put light niche in place.
2. Connect all conduit according to NEC or CEC requirements.
3. Bond niche to pool re-bar according to NEC or CEC requirements.
4. Place plastic niche cover over niche to avoid gunite entering niche cavity. Hook bottom of cover into mounting ring locking lug and thread retaining screw at top of cover into threaded boss in niche.
5. Gunite pool.
6. Remove cover and clean out niche.
7. Install light, leaving enough cable in niche to allow fixture to be removed and brought up to pool deck level for relamping or servicing.

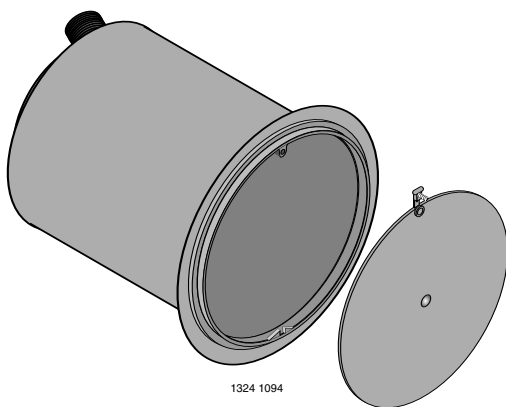


Figure 4: Gunite (concrete) pool niche with cover. Cover will keep niche clean during pool construction. Remove before use.

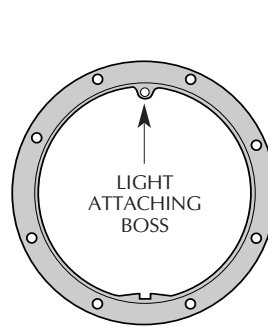


Figure 5: Niche Face Ring

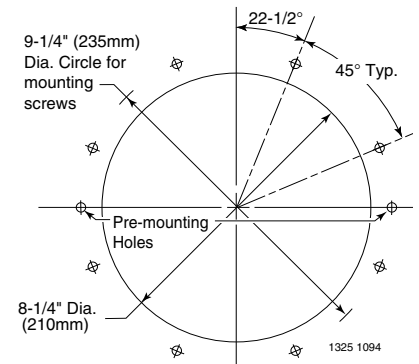


Figure 6: Hole Pattern for Niche Face Ring

Niche Installation in Fiberglass Pools WITHOUT vinyl Liner:

1. Place one gasket on back side of panel making sure holes are aligned properly. Hold gasket in place with masking tape.
2. Slip back ring over niche, aligning the two pre-mounting holes with niche pre-mounting lugs.
3. Pre-mount niche to panel and back ring with two 1/4-20 x 1" slotted flat head screws.
4. Bond back ring and niche to ground using a #8 AWG (8,4 mm²) copper wire in USA (use #6 AWG [14 mm²] copper wire in Canada).
5. Place second gasket on back side of niche face ring and align with mounting holes in panel.
6. Fasten niche face ring to back ring with eight 1/4-20 x 1-1/4" screws. Tighten securely.
7. If non-metallic conduit is used, provide #8 (8,4 mm²) copper ground wire attached to the ground lug located on inside of niche.
8. Install light, leaving enough cable in niche to allow fixture to be removed and brought up to pool deck level for relamping or servicing.

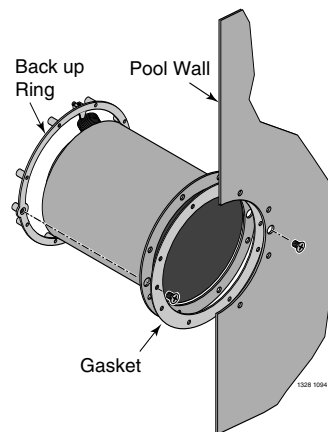


Figure 7: Install niche in pool wall; add gasket and backing ring behind wall. Secure with 2 flat-head screws supplied.

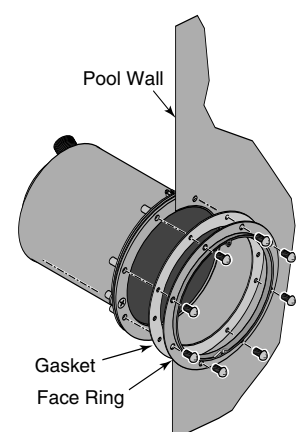


Figure 8: Add gasket and niche face ring to front of niche. Secure through pool wall with 8 round head screws supplied.

Niche Installation in Fiberglass Pools WITH Vinyl Liner:

1. Place one gasket on back side of niche making sure holes are aligned properly. Hold gasket in place with masking tape.
2. Slip niche through panel hole. Slip back ring over niche, aligning the two pre-mounting holes with niche pre-mounting lugs.
3. Pre-mount niche to back ring with two 1/4-20 x 5/8" slotted flat head screws.
4. Bond back ring and niche to ground using a #8 AWG (8,4 mm²) copper wire in USA (use #6 AWG [14 mm²] copper wire in Canada).
5. Install liner.
6. Locate panel holes and pierce liner to allow mounting screws to pass through.
7. Place second gasket on back side of face ring and align with mounting holes in liner and panel.
8. Fasten face ring to back ring with eight 1/4-20 x 1" screws. Tighten securely.
9. Cut opening in liner to accept light assembly.
10. If non-metallic conduit is used, provide #8 (8,4 mm²) copper ground wire attached to the ground lug located on inside of niche.

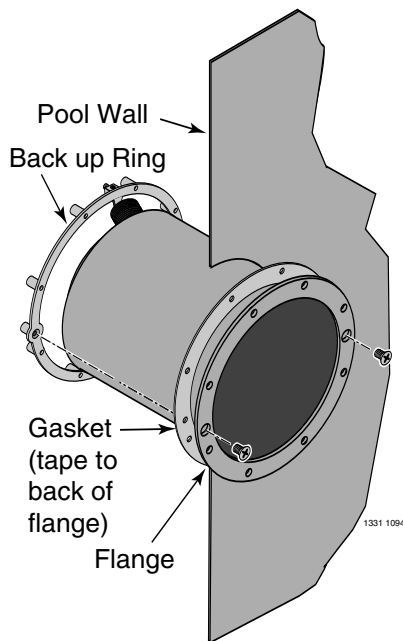


Figure 9: Temporarily mount gasket to back of niche flange with masking tape. Install niche in wall, add backing ring and fasten with two flat-head screws supplied. Bond back ring to pool structure with #8 (8,4 mm²) wire.

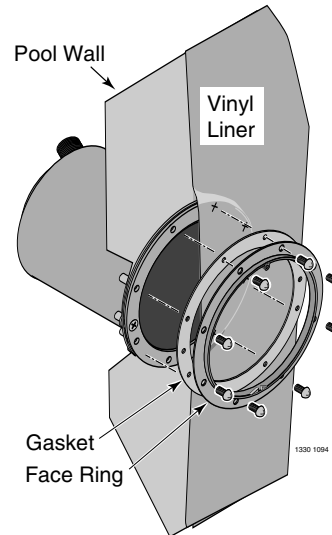


Figure 10: Install pool liner; install niche face ring with 8 round head screws supplied.

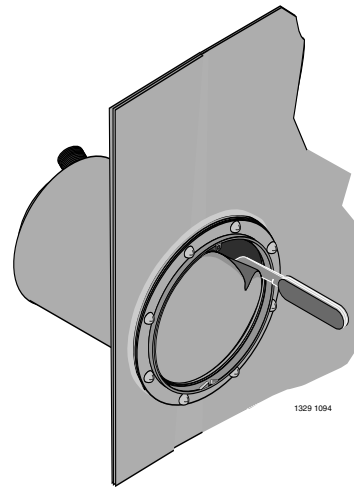


Figure 11: Cut liner out of niche opening with sharp knife. Niche is ready for light.

Table II: Bulb and Cord Specifications

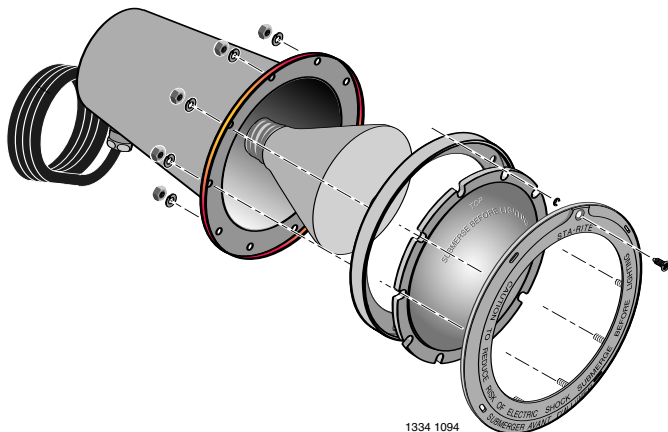
Catalog No.	Cord Length	Watts/Volts
05082-0025	25'(7.6M)	300W/12V
05082-0050	50'(15.2M)	
05086-0025	25'(7.6M)	500W/120V
05086-0050	50'(15.2M)	
05086-0100	100'(30.5M)	

All lights accept Color-Kit lenses No. 05070-0046.
All cables are marked "Water Resistant".

LIGHT HOUSING – ALL INSTALLATIONS

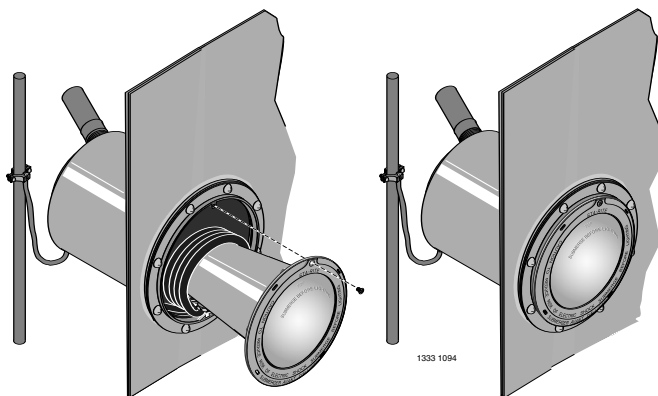
⚠ WARNING

Risk of electrical shock, cuts and burns. Make sure circuit breaker is off before relamping. Avoid direct impacts on glass lens. Do not install damaged or broken lens. Instead, replace lens.



1334 1094

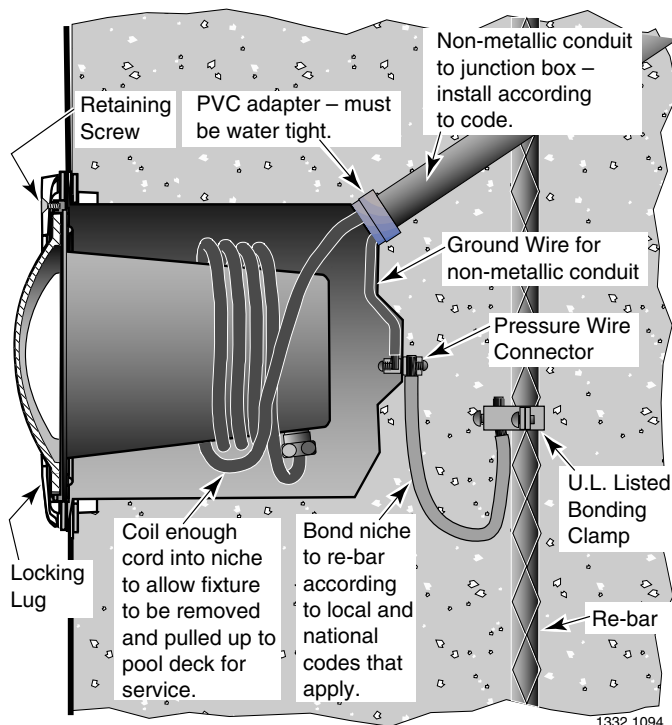
Figure 12: Light assembly for installation in niche. Make sure lens gasket (Key No. 4, Page 8) is free of cuts, cracks, or deterioration before assembling light housing.



1333 1094

Figure 13: Install light assembly in niche. Note that enough cable is coiled around rear of light housing to allow lamp to be removed and brought up to pool deck level for service. To install, slip hook on bottom of light face ring over lug in bottom of niche face ring. Fasten light with screw at top of face ring.

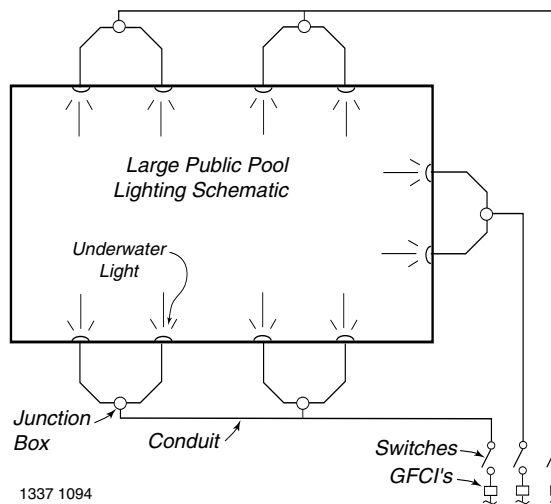
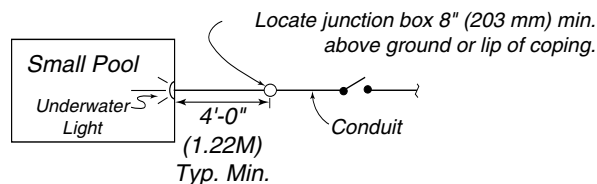
NOTICE: To prevent light housing overheating, do not plug vent slots in face ring.



1332 1094

Figure 14: Details of wiring. Light must be installed with cord connector at bottom of light as shown. See Decal on light housing.

NOTICE: All wiring should be done by a licensed electrical contractor in accordance with local codes and National Electrical Code or Canadian Electrical Code. Install on a GFCI protected circuit; regularly test GFCI's according to manufacturer's instructions.

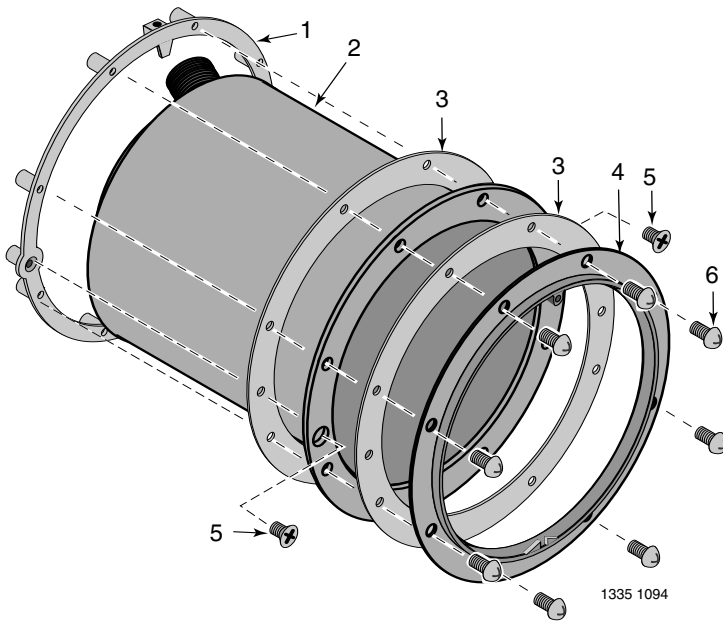


1337 1094

Figure 15: Lighting schematic for small private pools and large public pools. 12-Volt system transformer installations must meet all applicable code requirements.

Repair Parts – Light Niche for Vinyl liner Pools

Niche #05068-0121 for 3/4" Conduit, Niche #05068-0171 for 1" Conduit

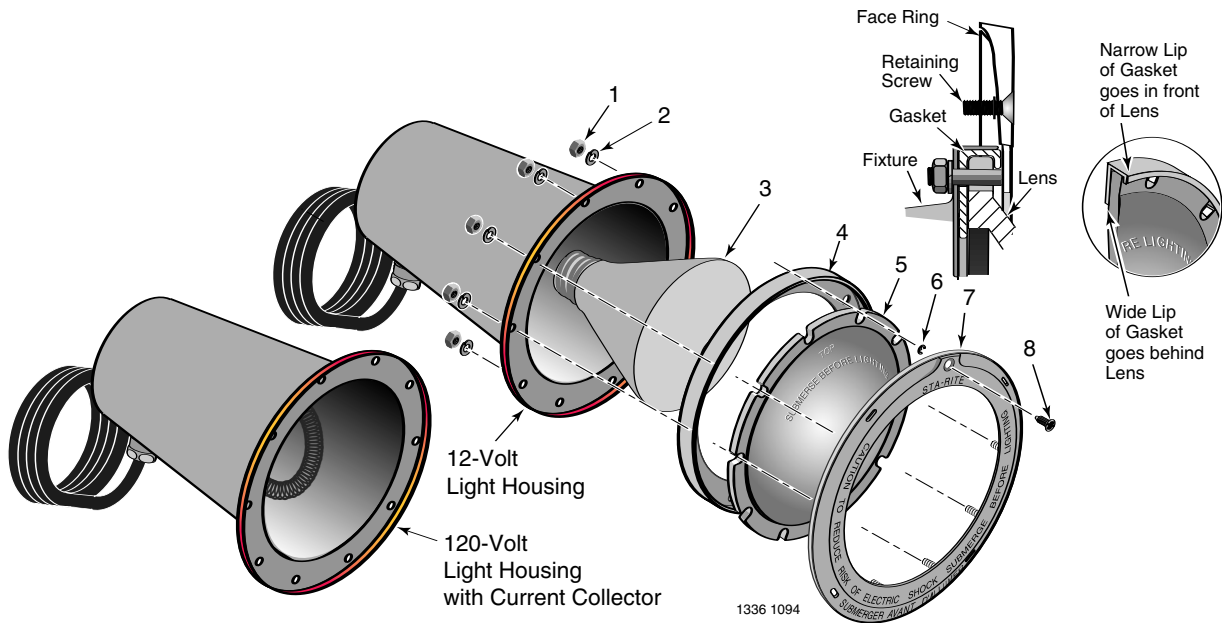


Key No.	Part Description	Qty	Part No.
1	Back up Ring	1	05057-0343
2	Niche Only (3/4" Conduit)	1	05068-0122
2	Niche Only (1" Conduit)	1	05068-0172
3	Rubber Gasket	2	05057-0667
4	Niche Face Ring	1	WC3-53SS
5	1/4-20x5/8" SS FH Screw	2	37057-0209
6	1/4-20x1" RH Screw	8	37067-0712
5	1/4-20x1" SS FH Screw	2	37057-0712
6	1/4-20x1-1/4" RH Screw	8	37067-0714
•	1/4-28 x 1/4" Set Screw	1	37157-0152

• Not shown.

NOTE: Two complete sets of mounting screws (one long, one short) are shipped with each niche. When ordering replacements, order the set which matches your pool wall thickness.

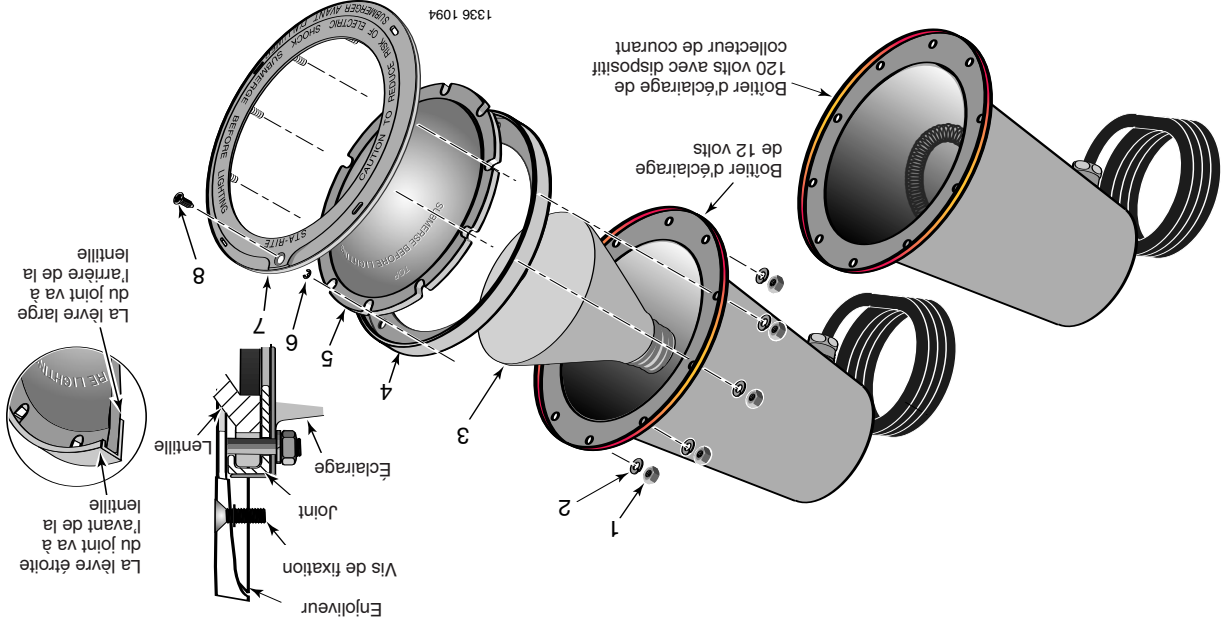
Repair Parts – Light Housing (All Models)



Key No.	Part Description	Qty.	Part No.	Key No.	Part Description	Qty.	Part No.
1	10-32 Lock nuts	10	U36-106SS	4	Lens Gasket	1	05057-0118
2	#10 Lockwasher	10	38917-0206	5	Clear Lens	1	05055-0003
3	Light Bulb (12V, 100W)	1	34600-0005	6	E-Ring	1	33103-0006
3	Light Bulb (12V, 300W)	1	34600-0004	7	Face Ring	1	WC203-52SS
3	Light Bulb (120V, 500W)	1	34600-0003	8	Retaining Screw	1	37337-0079

SAVE THESE INSTRUCTIONS

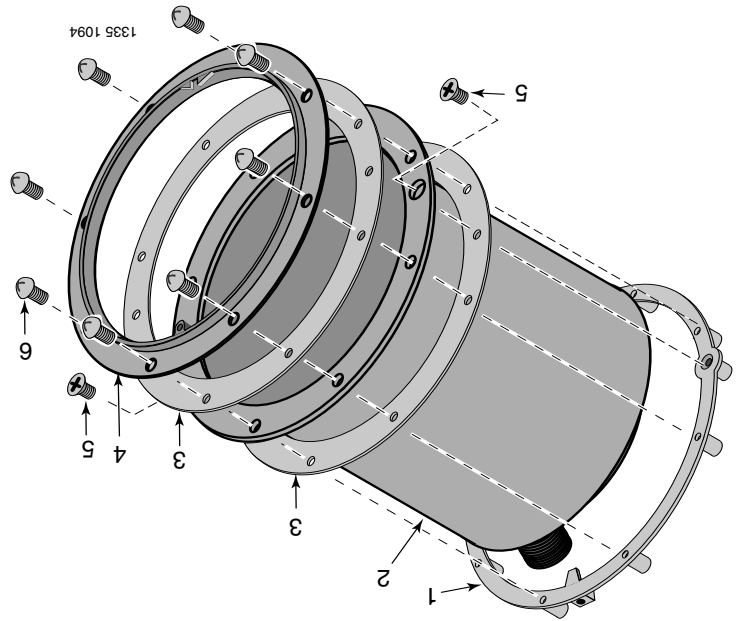
Réf.	Designation des pièces	Qté	N° des pièces	Réf.	Designation des pièces	Qté	N° des pièces
1	Ecrus 10-32	10	U36-106SS	4	Joint de lentille	1	05057-0118
2	Rondelle-trein n° 10	10	38917-0206	5	Lentille transparente	1	05055-0003
3	Ampoule (12 V, 100 W)	1	34600-0005	6	Bague en E	1	33103-0006
3	Ampoule (12 V, 300 W)	1	34600-0004	7	Enjoliveur	1	WC203-52SS
3	Ampoule (120 V, 500 W)	1	34600-0003	8	Vis de fixation	1	37337-0079



Pièces de rechange — Boîtier d'éclairage (tous les modèles)

• Non illustrée.
 NOTA : Deux jeux complets de vis de fixation (une longue et une courte) sont expédiés avec chaque niche. Lorsque l'on commande des pièces de rechange, commander le jeu qui correspond à l'épaisseur de la paroi de la piscine.

Réf.	Designation des pièces	Qté	N° des pièces
1	Bague d'appui	1	05057-0343
2	Niche seule (conduit de 3/4 de pouce)	1	05068-0122
2	Niche seule (conduit de 1 pouce)	1	05068-0172
3	Joint de caoutchouc	2	05057-0667
4	Enjoliveur de niche	1	WC3-53SS
5	Vis en acier inoxydable à tête	2	37057-0209
6	Vis à tête ronde 1/4-20 x 5/8 de pouce	2	37067-0712
5	Vis en acier inoxydable à tête	2	37057-0712
6	Vis à tête ronde 1/4-20 x 1 pouce	8	37067-0712
2	plate 1/4-20 x 1 pouce	2	37057-0712
8	Vis à tête ronde 1/4-20 x 1-1/4 pouce	8	37067-0714
6	Vis à tête ronde 1/4-28 x 1/4 de pouce	1	37157-0152



Pièces de rechange — Niche d'éclairage pour les piscines à doublure en vinyle

Niche n° 05068-0121 pour les conduits de 3/4 de pouce; niche n° 05068-0171 pour les conduits de 1 pouce

BOÎTIERS D'ÉCLAIRAGE — TOUTES LES INSTALLATIONS



Risque de secousses électriques, de coupures et de brûlures. S'assurer que le disjoncteur est fermé avant de procéder à la modification de l'éclairage. Éviter tous les impacts directs sur la lentille en verre. Ne pas poser de lentilles endommagées ou cassées. Ces lentilles doivent être remplacées.

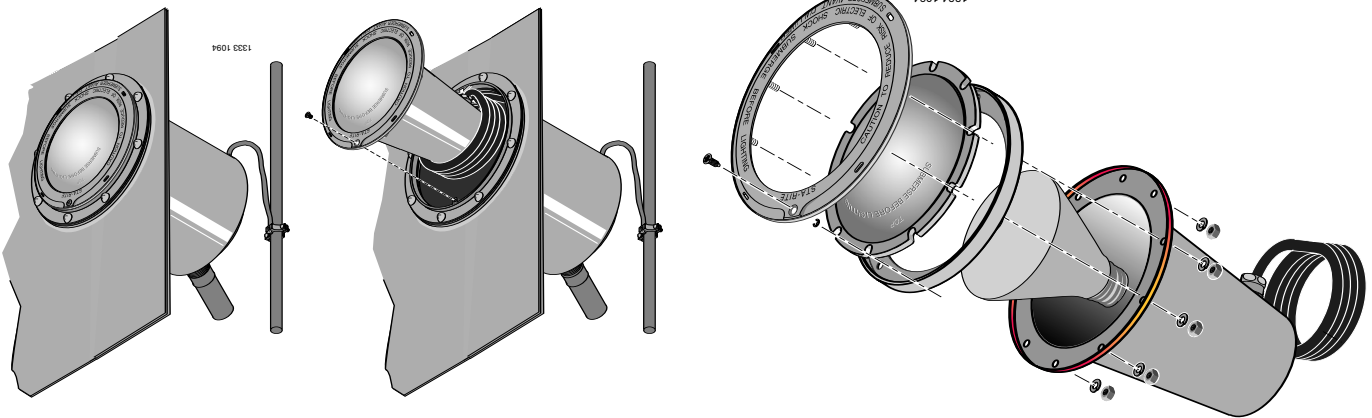


Figure 12 : Éclairage pour installation dans une niche. S'assurer que le joint de la lentille (réf. n° 4, page 8) n'est pas coupé, fissuré ni détérioré avant d'assembler le boîtier de l'éclairage.

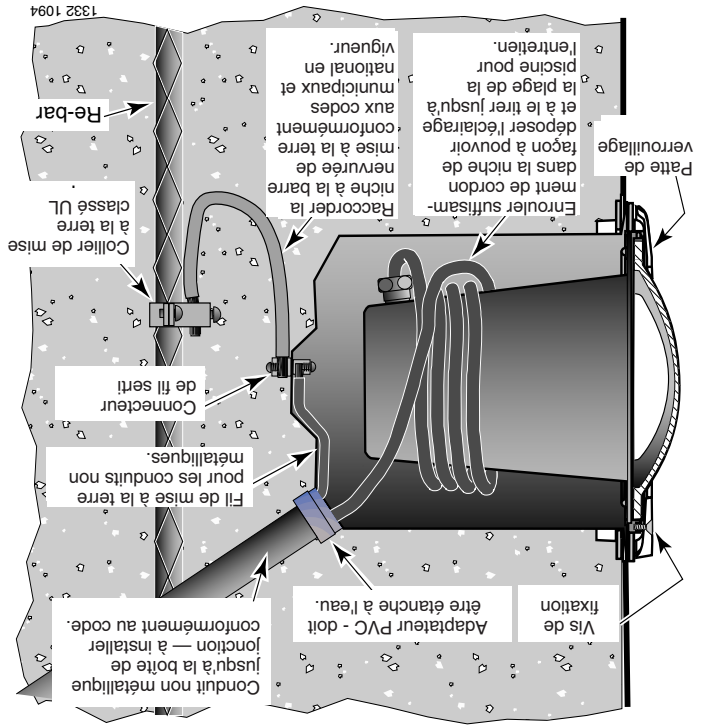


Figure 14 : Détails du câblage. Le connecteur du cordon d'alimentation de l'éclairage doit être orienté en bas, comme il est illustré. Se reporter à la décalcomanie collée sur le boîtier de l'éclairage.

NOTA : Tout le câblage doit être effectué par un entrepreneur en électricité possédant un permis et conformément aux codes municipaux de l'électricité, comme il est stipulé par le National Electric Code ou le Code canadien de l'électricité. Le circuit doit être protégé par un disjoncteur de fuite à la terre; le disjoncteur de fuite à la terre doit être contrôlé régulièrement conformément aux instructions du fabricant.

Figure 13 : Installer l'éclairage dans la niche. Il est à noter que suffisamment de câble est enroulé à l'arrière du boîtier de l'éclairage de façon à pouvoir démonter l'éclairage et à l'amener jusqu'au niveau de la plage de la piscine en cas de besoin. Pour l'installation, glisser le crochet qui se trouve à la partie inférieure de l'englober de l'éclairage par-dessus la patte qui se trouve à la partie inférieure de l'englober de la niche. Faire tenir l'éclairage avec une vis posée à la partie inférieure de l'englober. Pour que le boîtier de l'éclairage ne surchauffe pas, ne pas boucher les fentes d'aération de l'englober.

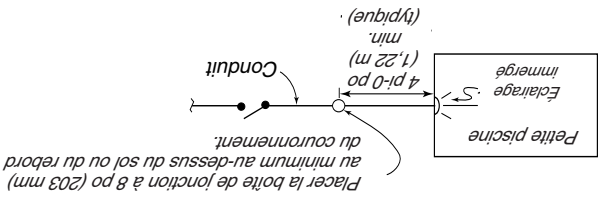
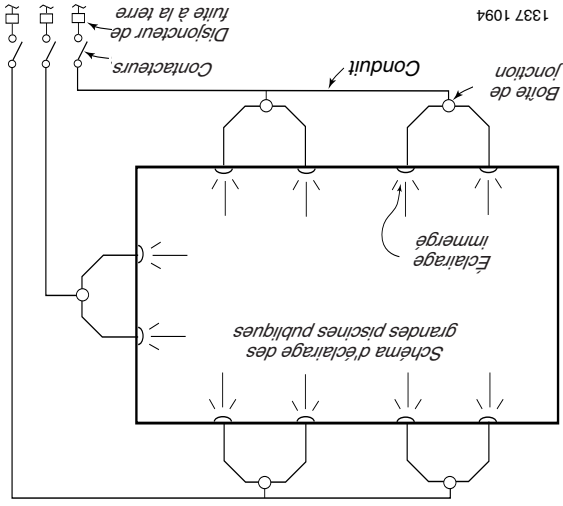


Figure 15 : Schéma d'éclairage des petites piscines privées et des grandes piscines publiques. Les installations à transformer de circuit de 12 volts doivent se conformer à toutes les conditions des codes en vigueur.



8. Installer l'éclairage en laissant une longueur suffisante de câble dans la niche de façon à pouvoir déposer l'éclairage et l'amener au niveau de la plage de la piscine au cas où l'ampoule devrait être remplacée ou pour procéder à un entretien.

Installation de la niche dans les piscines en fibre de verre à doubleur en vinyle :

1. Poser un joint à l'arrière du panneau en s'assurant que les trous sont bien alignés. Faire tenir le joint en place avec du ruban-cache.
2. Glisser la niche dans le trou du panneau. Glisser la bague d'appui sur la niche en alignant les deux trous de prémontage avec les pattes de prémontage de la niche.
3. Prémonter la niche sur la bague d'appui à l'aide de deux vis à tête plate fendue de 1/4-20 x 5/8 de pouce.
4. Relier la bague d'appui et la terre à la terre à l'aide d'un fil de cuivre de calibre américain n° 8 (8,4 mm²) aux États-Unis (utiliser un fil de cuivre de calibre américain n° 6 (14 mm²) au Canada).
5. Poser la doubleur.
6. Repérer les trous percés dans le panneau et percer la doubleur de façon à pouvoir faire traverser les vis.
7. Mettre un deuxième joint à l'arrière de l'ajointeur de la niche et l'aligner avec les trous de montage percés dans le panneau.
8. Fixer l'ajointeur de la niche sur la bague d'appui à l'aide de huit vis de 1/4-20 x 1 pouce. Les serrer fermement.
9. Découper l'ouverture dans la doubleur de façon à pouvoir y poser l'éclairage.
10. Si l'on utilise des conduits non métalliques, prévoir un fil de mise à la terre en cuivre n° 8 (8,4 mm²) que l'on attachera sur la patte de mise à la terre qui se trouve à l'intérieur de la niche.

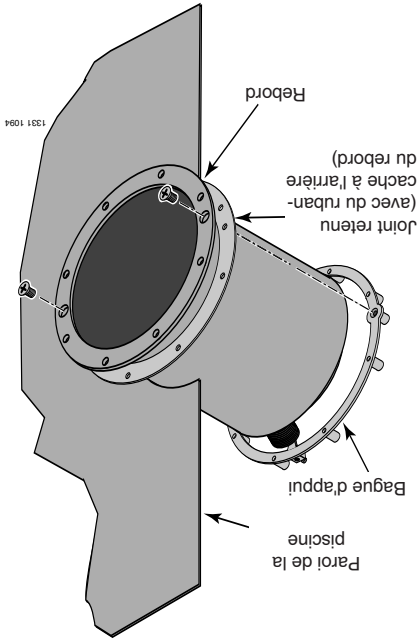


Figure 9 : Temporairement, faire tenir le joint à l'arrière du rebord de la niche avec du ruban-cache. Installer la niche dans la paroi, poser la bague d'appui et les faire tenir avec les deux vis à tête plate fournies. Relier la bague d'appui à la structure de la piscine avec un fil de calibre n° 8 (8,4 mm²).

Tableau II : Spécifications des ampoules et des cordons d'alimentation

Watts/Volts	Longueur du cordon d'alimentation	N° de catalogue
500 W/120 V	25 pi(7,6 m) 50 pi(15,2 m) 100 pi(30,5 m)	05086-0025 05086-0050 05086-0100
300 W/12 V	25 pi(7,6 m) 50 pi(15,2 m)	05082-0025 05082-0050

Des lentilles de couleur n° 05070-0046 peuvent être posées sur tous les éclairages.
Tous les câbles sont repérés « Water Resistant » (Résistant à l'eau).

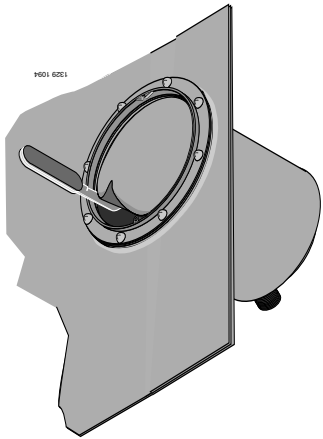
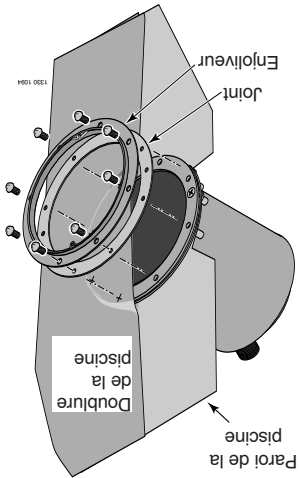


Figure 11 : Découper l'ouverture de la niche dans la doubleur à l'aide d'un couteau bien tranchant. La niche est prête à recevoir l'éclairage.

Figure 10 : Poser la doubleur de la piscine. Installer l'ajointeur de la niche avec les 8 vis à tête ronde fournies.



l'extrémité du cordon sont enrobés de résine époxyde pour rendre étanches toutes les connexions. Les boîtiers pour les circuits de 120 volts comprennent un «dispositif collecteur de courant» qui met à la terre le circuit en cas de cassure de la lentille et de l'ampoule.

- La niche de l'éclairage est en acier inoxydable et elle comporte un raccord pour un conduit en acier inoxydable d'un diamètre de 3/4 de pouce (19,05 mm) ou de 1 pouce (25,4 mm) IPS ainsi qu'une bague de montage en bronze coulé. La bague de montage comporte une patte de verrouillage à sa partie inférieure et un bossage taraudé pour la pose d'une vis à l'épreuve du vandalisme en haut. À l'intérieur des niches se trouve un connecteur de mise à la terre n° 6 au cas où un conduit métallique serait utilisé. Après l'installation d'un fil de liaison en cuivre de calibre n° 8 (8,4 mm²) aux États-Unis (comme il est stipulé par le NEC) ou d'un fil de liaison en cuivre de calibre américain n° 6 (14 mm²) au Canada (comme il est stipulé par le Code canadien de l'électricité), enrober cette connexion. L'ampoule doit être de l'éclairage de 120 volts, 100 ou 300 watts, (selon le cas) à culot moyen ou de 120 volts, 500 watts à culot moyen.
- La niche de l'éclairage est en acier inoxydable et elle comporte un raccord pour un conduit en acier inoxydable (de sortie) doit être de 25 ampères pour chaque éclairage de 300 watts ou de 8,5 ampères pour chaque éclairage de 100 watts.

Posé de la niche dans les piscines faites en mélange projetable :

1. Avant de projeter le mélange sable et ciment pour former les parois de la piscine, mettre la niche d'éclairage en place.
2. Brancher tous les conduits conformément aux conditions du NEC et du CCE.
3. Relier la niche à la barre nervurée, conformément aux conditions du NEC et du CCE.
4. Poser la plaque de fermeture en plastique sur la niche pour éviter que le mélange projetable pénètre dans la cavité de la niche. Accrocher la partie inférieure de la plaque de fermeture dans la patte de verrouillage de la bague de montage et visser la vis dans le bossage fileté de la niche, en haut de la plaque de fermeture.

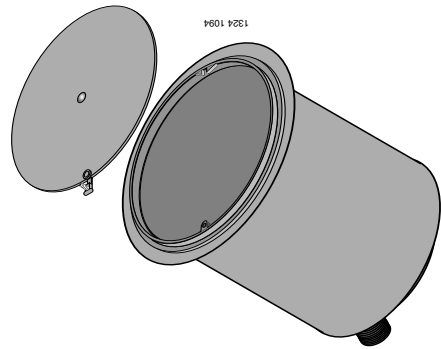


Figure 4 : Niche et plaque de fermeture pour piscine à revêtement en béton. La plaque de fermeture permettra de garder la niche propre pendant la construction de la piscine. Enlever la plaque de fermeture avant d'utiliser la niche.

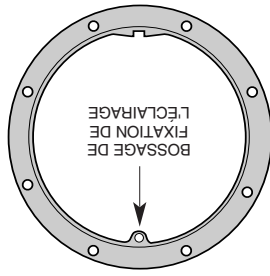


Figure 5 : Enjoliveur de la niche

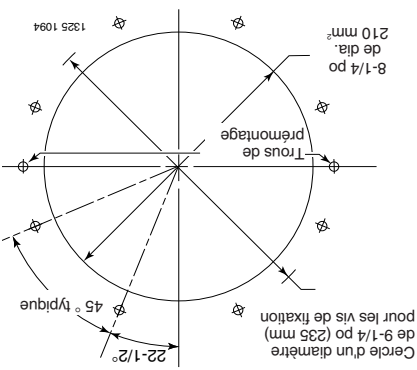


Figure 6 : Emplacement des trous pour la pose de l'enjoliveur de la niche

Installation de la niche dans une piscine en fibre de verre SANS doublure en vinyle :

1. Poser un joint à l'arrière du panneau en s'assurant que les trous sont bien alignés. Faire tenir le joint en place avec du ruban-cache.
2. Glisser la bague d'appui sur la niche en alignant les deux trous de prémontage avec les pattes de prémontage de la niche.
3. Prémonter la niche dans le panneau et sur la bague d'appui à l'aide de deux vis à tête plate fendue de 1/4-20 x 1 pouce.
4. Relier la bague d'appui et la niche à la terre à l'aide d'un fil de cuivre de calibre américain n° 6 (8,4 mm²) aux États-Unis (utiliser un fil de cuivre de calibre américain n° 6 (14 mm²) au Canada).
5. Mettre un deuxième joint à l'arrière de l'enjoliveur de la niche et l'aligner avec les trous de montage percés dans le panneau.
6. Fixer l'enjoliveur de la niche sur la bague d'appui à l'aide de huit vis de 1/4-20 x 1-1/4 pouce. Serrer fermement.
7. Si l'on utilise des conduits non métalliques, prévoir un fil de mise à la terre en cuivre n° 8 (8,4 mm²) que l'on attachera sur la patte de mise à la terre qui se trouve à l'intérieur de la niche.

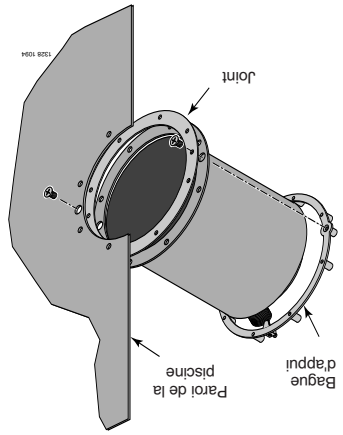


Figure 7 : Poser la niche dans une paroi de la piscine; mettre un joint et la bague d'appui derrière la paroi et les faire tenir avec les 2 vis à tête plate fournies.

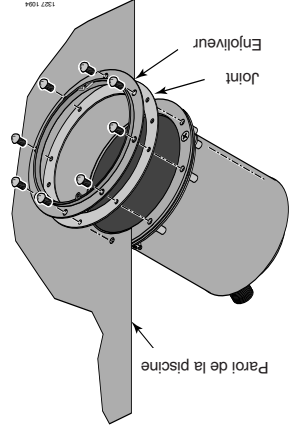


Figure 8 : Mettre un joint et l'enjoliveur à l'avant de la niche et les faire tenir au travers de la paroi de la piscine avec les 8 vis à tête ronde fournies.

REMARQUES GÉNÉRALES

1. Installer un disjoncteur de fuite à la terre, comme il est stipulé par le National Electric Code et le Code canadien de l'électricité.
2. Tout le câblage doit être effectué par un entrepreneur en électricité possédant un permis et conformément aux codes municipaux de l'électricité, comme il est stipulé par le National Electric Code ou le Code canadien de l'électricité, selon le cas.
3. Se reporter au tableau 1 pour connaître les niveaux d'éclairage recommandés pour les piscines. Se reporter au tableau II, page 6, pour connaître les spécifications concernant les ampoules et les cordons d'alimentation pour les éclairages.
4. **ATTENTION** Risque de brûlures. Il n'est pas recommandé d'installer un éclairage d'une puissance supérieure à 100 watts dans une cuve à remous.

Type de piscine	Watts permis par pi ² de surface de piscine
Petites piscines résidentielles (inférieures à 800 pi ² [75 m ²])	1/2 à 1*
Grandes piscines publiques	1 à 1-1/2
Bassins de plongeurs (profondeur inférieure à 12 pi [3,65 m])	1-1/2 à 2
Bassins de plongeurs (profondeur de 12 à 20 pi [3,65 à 6 m])	2 à 3
Bassins de compétition	2 à 3**

Tableau 1 : Conditions typiques de l'éclairage

- * Un éclairage de 500 watts côté grand bain de la piscine est recommandé.
- ** Pour les bassins de compétition :
 1. S'assurer que les côtes départ/arrivée des couloirs sont bien éclairés. Ne jamais poser d'éclairage dans les parois d'extrémité, à la fin des lignes de natation. Toutefois, si une compétition sur une courte distance de 50 mètres est prévue au travers de la largeur, des éclairages peuvent être installés entre les lignes (sous les lignes de la course) à condition qu'ils soient branchés sur un interrupteur séparé.

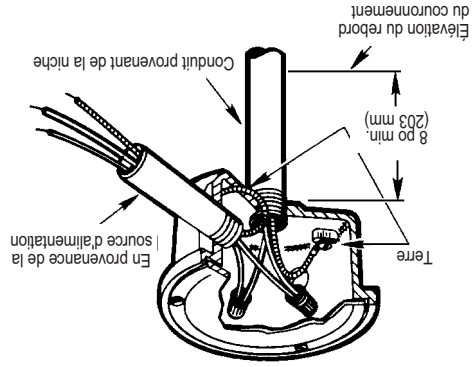
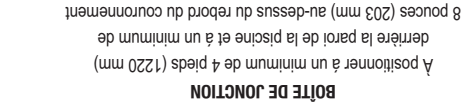


Figure 1 : Boîte de jonction, pièce n° 05730-0021

SPÉCIFICATIONS CONCERNANT LES LUMINAIRES À NICHE HUMIDE :

- L'éclairage lui-même se compose d'un boîtier en cuivre à thermostat et d'un culot de lampe en porcelaine noyé dans de la résine époxyde, d'une lentille résistante à la chaleur et d'une ampoule. L'éclairage est conçu pour ne fonctionner que lorsqu'il est complètement immergé (les profondeurs

Figure 2 : Dimensions de la niche

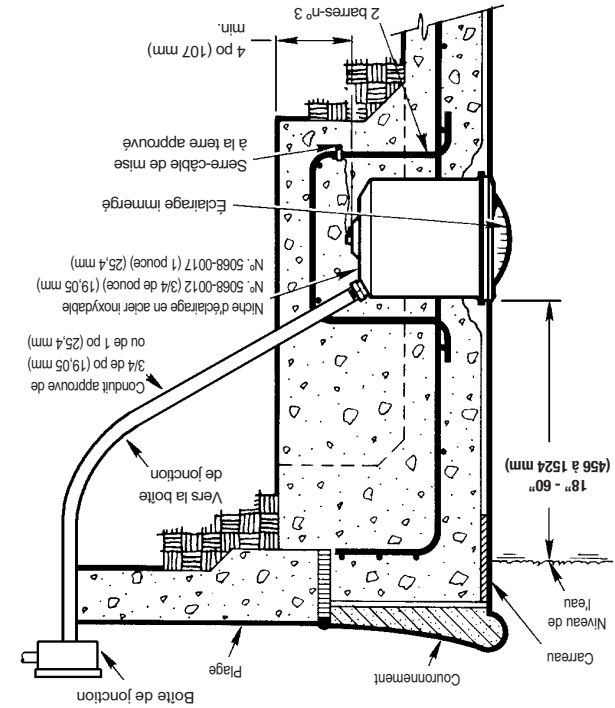
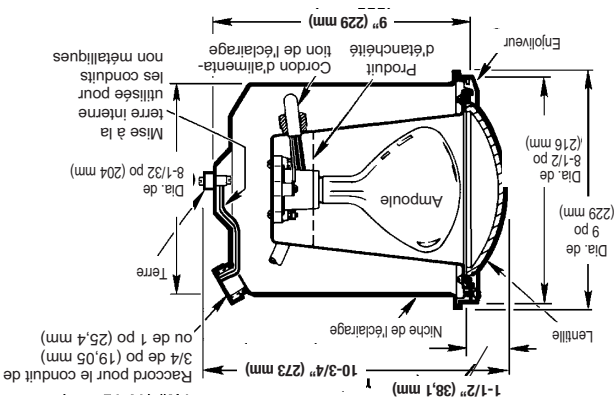


Figure 3 : Installation de la niche dans les piscines en mélange projetable de ciment et de sable

- L'immersion recommandées varient de 18 à 60 pouces (0,5 m à 1,5 m). Saut lorsqu'il est installé dans une zone de la piscine qui n'est pas utilisée pour nager et lorsque la lentille n'est pas adéquatement protégée pour empêcher quiconque de la toucher, installer l'éclairage sur ou dans un paroi de la piscine, le haut de l'ouverture de la lentille étant au moins à 18 pouces (0,5 m) sous le niveau normal de l'eau de la piscine.
- Les éclairages et les niches ne doivent être posés que dans des piscines à eau douce seulement.
- La lentille est fabriquée en verre résistant à la chaleur et elle diffuse le faisceau d'éclairage sur un arc horizontal de 30 ° et une déflexion vers le bas de 15 °, elle est rendue étanche grâce à un joint monopièce en néoprène enveloppant. Un enjoliveur en acier inoxydable comportant 10 tiges filetées permet de retenir la lentille sur le boîtier. Les tiges filetées tour de la lentille, entre l'enjoliveur et le boîtier de l'éclairage.
- Le boîtier comprend un commutateur à thermostat fixé sur une douille à culot moyen en porcelaine, deux bornes et une connexion pour le fil de mise à la terre. Cet ensemble et

LIRE TOUTES CES INSTRUCTIONS ET LES SUIVRE!

IMPORTANTES INSTRUCTIONS DE SÉCURITÉ

Toujours observer les consignes de sécurité de base lorsque l'on utilise cet équipement, y compris les consignes qui suivent.

▲ AVERTISSEMENT Pour minimiser le risque de blessures, ne pas permettre aux enfants d'utiliser ce produit, à moins qu'ils soient toujours attentivement surveillés.

CONSERVER CES INSTRUCTIONS

▲ ATTENTION Risque de bris de glace. Ne pas pousser le côté de la piscine contre l'éclairage.

▲ ATTENTION On risque de se couper si la lampe est mal installée. Cette lampe ne doit être utilisée que dans les spas et les piscines à usages commercial et résidentiel. Elle n'est pas conçue, n'a pas été mise à l'essai et n'a pas été approuvée pour être utilisée dans les piscines à vagues, les toboggans nautiques, les glissoires, les rivières artificielles ou les autres dispositifs de parcs d'attractions nautiques. Cette lampe ne doit être utilisée que dans une piscine ou dans un spa, sinon elle risque d'être endommagée et les baigneurs risquent de se couper. De plus, cette pratique annulera la garantie. Sta-Rite ne peut pas être tenue responsable des dommages ou des blessures causés par une mauvaise utilisation de cette lampe.

▲ Ce symbole indique qu'il faut être prudent. Lorsque ce

symbole apparaît sur le système ou dans cette Notice, recherchez une des mises en garde qui suivent, car elles indiquent un potentiel possible de blessures corporelles.

▲ DANGER avertit d'un danger qui causera des blessures corporelles, la mort ou des dommages matériels importants si on l'ignore.

▲ AVERTISSEMENT avertit d'un danger qui risque de causer des blessures corporelles, la mort ou des dommages matériels importants si on l'ignore.

▲ ATTENTION avertit d'un danger qui causera ou qui risquera de causer des blessures corporelles, la mort ou des dommages matériels importants si on l'ignore.

Le mot **NOTA** indique des instructions spéciales et importantes n'ayant aucun rapport avec les dangers.

Lire attentivement toutes les consignes de sécurité contenues dans cette Notice ou collées sur l'équipement. Garder les autocollants de sécurité en bon état; les remplacer s'ils manquent ou s'ils ont été endommagés.

▲ AVERTISSEMENT Un équipement mal installé ou mal contrôlé peut tomber en panne, causer de graves blessures ou des dommages matériels. Lire et suivre les instructions figurant dans la Notice de l'utilisateur pour installer et utiliser

l'équipement. Demander à une personne connaissant bien les piscines de procéder aux contrôles de la pression. N'utiliser cet équipement qu'avec une piscine ou une cuve à remous.

À l'intention de l'installateur : Ce guide contient d'importantes informations sur l'installation, le fonctionnement et une utilisation sécurisée de ce produit. Ces renseignements doivent être remis au propriétaire et/ou à l'opérateur de cet équipement après l'installation.



AVERTISSEMENT — Avant d'installer ce produit, veuillez lire et suivre toutes les mises en garde et consignes qui sont incluses. Le non-respect des mises en garde et des consignes de sécurité peut entraîner d'importantes blessures, la mort ou des dommages matériels. Pour des copies supplémentaires et gratuites de ce guide, veuillez appeler au (800) 831-7133.

⚠ DANGER! Risque de décharge électrique ou d'électrocution!

Ce produit doit être installé par un électricien agréé ou qualifié ou un technicien spécialisé, conformément au Code National d'Électricité et à tous les codes et règlements locaux en vigueur. Toute mauvaise installation crée un danger électrique pouvant causer la mort ou des blessures graves - par décharge électrique - aux utilisateurs, aux installateurs, ou à des tiers, et pouvant également provoquer des dégâts matériels. Avant de commencer l'entretien du luminaire, veuillez toujours couper le courant électrique du luminaire au niveau du disjoncteur. Le non-respect de cette consigne peut entraîner la mort ou des blessures graves par décharge électrique pour le technicien, les utilisateurs ou des tiers. **VEUILLEZ LIRE ET OBSERVER TOUTES LES CONSIGNES DE CE GUIDE.**



⚠ AVERTISSEMENT — Importantes consignes de sécurité pour l'installation du luminaire et de la niche Pentair

- Toutes les installations de niche et de luminaire doivent être faites conformément à tous les codes.
- Ne tenter en aucun cas de remplacer les luminaires en épissant les câbles sous l'eau ou derrière la niche.

© 2007 Pentair Water Pool and Spa, Inc. Tous droits réservés.

Ce document est sujet à tous changements sans préavis.

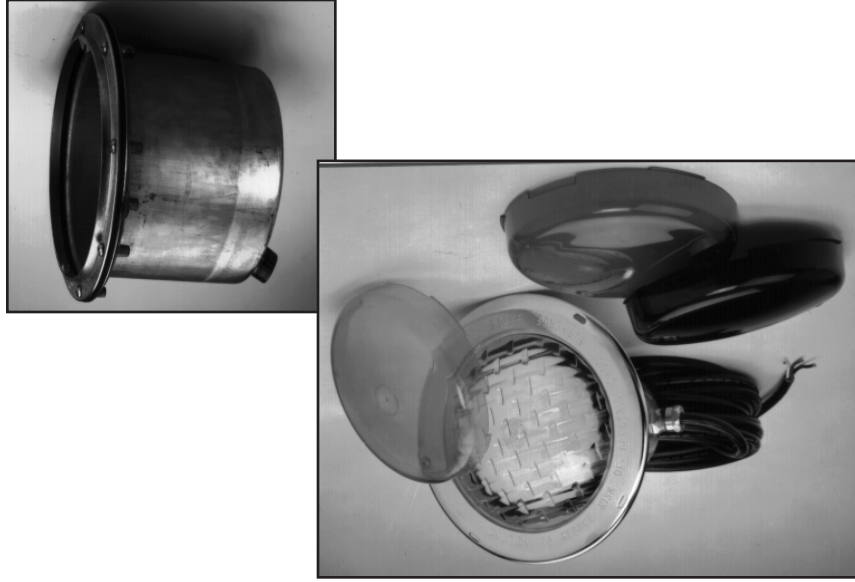
Marques de commerce et avis de non-responsabilité : Sta-Rite et SwimQuip sont des marques de commerce de Sta-Rite Industries, LLC. Les autres marques ou dénominations commerciales utilisées dans ce document pour faire référence aux entités se réclamant de ces marques ou dénominations ou à leurs produits sont la propriété de leurs détenteurs respectifs. Pentair Water Pool and Spa, Inc. déclare n'avoir aucun intérêt dans les marques et noms de produits autres que les siens.

STA-RITE®

**NICHES ET ÉCLAIRAGES DE PISCINE
IMMERGÉS SWIMQUIP™**

POUR les éclairages fonctionnant sur le 12 et le 120 volts

NOTICE D'UTILISATION



INSTALLATION, FONCTIONNEMENT ET PIÈCES

Pentair Water Pool and Spa, Inc.

1620 Hawkins Ave., Sanford, NC 27330 • (800) 831-7133 or (919) 566-8000
10951 West Los Angeles Ave., Moorpark, CA 93021 • (800) 831-7133 or (805) 553-5000
Venez nous voir sur l'Internet à www.pentairpool.com et www.startitepool.com