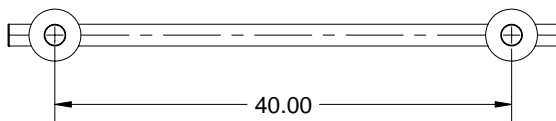
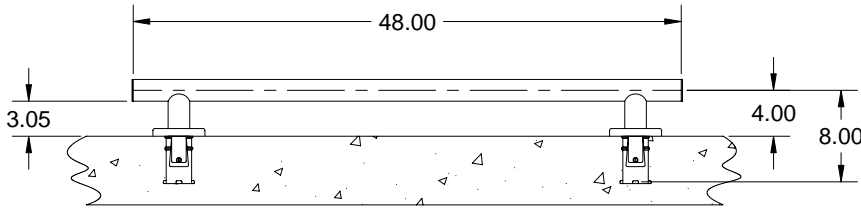
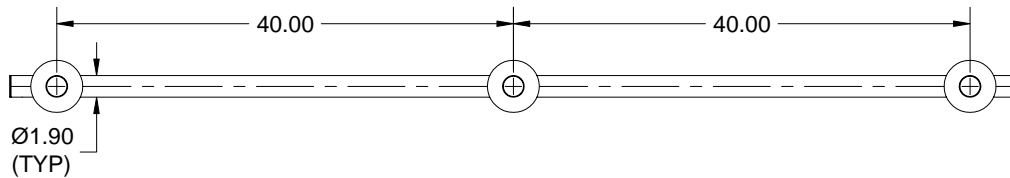
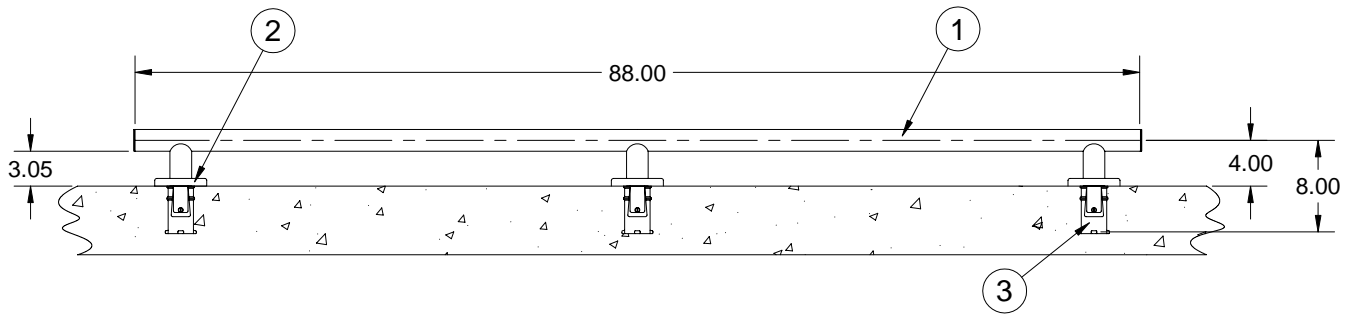


**Commercial Therapeutic/Exercise Bars without Flanges**



TR-100B



TR-101B

Specification Number:	<b>SRS-610</b>	
Product Description:	<b>Commercial Therapeutic/Exercise Bars without Flanges</b>	
S.R. Smith Part Number:	<b>TR-100B, TR-101B</b>	Scale: NTS
Revision:	A	Date: 07/21/03
Written By:	T. Weil	Date: 07/21/03
Approved By:	B. Bisceglia	Date: 07/21/03
Page 1 of 2	Proprietary and confidential: The information contained in this specification is the sole property of S.R. Smith LLC. Any reproduction in part or whole without the written consent of S.R. Smith LLC is prohibited.	

**S.R. Smith, LLC**  
**P.O. Box 400, 1017 SW Berg Parkway**  
**Canby, Oregon 97013**  
**Tel: (888) 677-7776 (503) 266-2231**  
**Fax: (503) 266-4334**  
**www.srsmith.com**



# S.R. Smith LLC Commercial Division Product Specifications - Written

**Product Name:** Commercial Therapeutic/Exercise Bars without Flanges

**Part Number:** TR-100B, TR-101B

**General Notes:**

The **Commercial Therapeutic/Exercise Bars without Flanges** are constructed from polished stainless steel. Anchors are purchased separately to secure the bar to the pool wall. These bars are available in overall lengths of 48” and 88” (1219mm and 2235 mm) and special order rails in alternate lengths are also available.

**Application:**

These units are intended for use at commercial and competitive installations as exercise, training, and therapeutic rails where a 1.90” (48.3mm) diameter bar is desired. The rails can be used in most geographic areas.

**Specifications:**

- 1 Bar Assembly: These exercise bars are constructed from a 1.90” O.D. x .065 wall (48.3mm x 1.65) type 304 polished stainless steel main tube. Stainless steel end caps are continuously welded to the ends of the main tube to prevent corrosion. 1.90” O.D. x .065 wall (48.3mm x 1.65) mounting posts welded to the main tube allow for a nominal clearance of 3.0” (76.2mm) between the main tube and the pool wall when used with an appropriate anchor.
- 2 Escutcheon (Optional) (p/n EP-100F) The round escutcheon plate is 4.5” (114.3mm) in dia. and is stamped of .023” (58mm) polished, type 304 stainless steel. The escutcheon is raised .67” (17.0mm) beyond the pool wall.
- 3 Anchor Assembly: (p/n IAS-100, see spec sheet for SRS-913): These recommended anchor sockets are bronze castings. They are intended for heavy-duty commercial use and fixtures secure by means of a wedge assembly. A 1/4-20 UNC brass grounding screw is included. Alternative anchor assemblies include p/n AS-100B (see spec sheet for SRS-908). Anchors are purchased separately.

**Additional Product Numbers and Shipping Weight:**

Model Number	Description	Shipping Weight
TR-100B	Commercial Therapeutic/Exercise Bar with two (2) Mounting Posts	8.0 lbs (3.63kg)
TR-101B	Commercial Therapeutic/Exercise Bar with three (3) Mounting Posts	14.0 lbs (6.35kg)

Specification Number:	<b>SRS-610</b>		<b>S.R. Smith, LLC</b> <b>P.O. Box 400, 1017 SW Berg Parkway</b> <b>Canby, Oregon 97013</b> <b>Tel: (888) 677-7776 (503) 266-2231</b> <b>Fax: (503) 266-4334</b> <b>www.srsmith.com</b>
Product Description:	<b>Commercial Therapeutic/Exercise Bars without Flanges</b>		
S.R. Smith Part Number:	<b>TR-100B, TR-101B</b>		
Revision:	A	Date: 07/21/03	
Written By:	T. Weil	Date: 07/21/03	
Approved By:	B. Bisceglia	Date: 07/21/03	
Page 2 of 2	Proprietary and confidential: The information contained in this specification is the sole property of S.R. Smith LLC. Any reproduction in part or whole without the written consent of S.R. Smith LLC is prohibited.		