



RAILS + LADDERS

OFFICIAL
POOL
EQUIPMENT
SUPPLIER





RAILS + LADDERS

CONTENTS

- Overview 4
- Modern Rails..... 6
- Rails.....12
- ADA Rails..... 20
- Ladders.....22

UNIQUE DESIGN ELEMENTS THAT MAKE A POOL SPECIAL

When you choose S.R.Smith®, you are choosing ladders and rails that can turn an ordinary pool into the extraordinary. From standard to custom, in a wide range of finishes, our rails can add both form and function to any pool. Modern Rails are also an ideal choice for pool renovation and new construction.

CUSTOM RAILS — ANY SIZE OR SHAPE

Whether it’s a minor variation to one of our standard rail configurations, or something from your own imagination, look to S.R.Smith to help make your vision a reality. While it’s true that ladders and rails should be hardworking and functional, they also have the power to help make your pool an architectural masterpiece. What’s more, S.R.Smith keeps your project on track with the fastest turnaround time in the industry. We offer a variety of options so every rail will be built to your exact specifications. Visit our online rail configurator for help at SRSmith.com/CustomRails.

TUBING OPTIONS

WALL THICKNESS	304 STAINLESS STEEL	316L STAINLESS STEEL
.049"	1.625" & 1.90" OD	1.90" OD
.065"	1.90" OD	1.90" OD
.109"	1.90" OD	1.90" OD
.120"	1.50" OD	1.50" OD
.145"	1.90" OD	

A FINISH FOR EVERY POOL

A variety of finish options are available which provide a higher level of protection to our marine-grade stainless-steel rails and ladders. Coatings are available in a variety of colors.

POLISHED STAINLESS STEEL

304 is standard, or marine grade (316L) is an option for a higher level of protection in extreme environments.



POWDER COATING

A durable finish that is easy to maintain, designed to perform well in salt and other harsh environments, corrosion and scratch resistant and is available in a wide variety of colors.



Due to printing technology, actual colors may vary.
*Custom Order Colors

RAILS AND LADDERS

Our ladders and rails are available with a variety of options:*

- Tubing sizes: 1.50", 1.625" or 1.90" OD
- Wall thicknesses: .049", .065", .109", .120", .145"
- Stainless Steel: 304 or 316L

*Not all options are available on all ladders and rails.
Please visit our website for more information.

	OUTDOOR POOL		INDOOR POOL	
	Traditional Chlorinator	Salt Chlorinator	Traditional Chlorinator	Salt Chlorinator
Powder Coating	■	■	■	■
Marine Grade	■	■		
Stainless Steel	■			

ADA COMPLIANT RAILS

The S.R.Smith rail line has been expanded to include ADA compliant transfer rails and handrails. Designed to meet the specifications issued as part of the update to the ADA law, our ADA rails help meet government specifications, and provide pool users an easy transition into the pool.

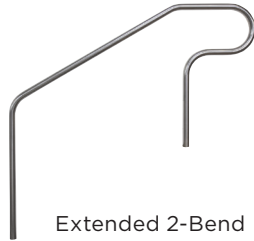


STAIR RAILS

- Height: 34"
- Diameter: 1.90" OD
- Extends at least 12" beyond the top and bottom of the stair landing



3-Bend Handrail



Extended 2-Bend Handrail

TRANSFER RAILS

- Height: 5.75"
- Length: 12", 14", 16" or 18"
- Meets ADA structural strength requirements



Straight Transfer Rail with flanges



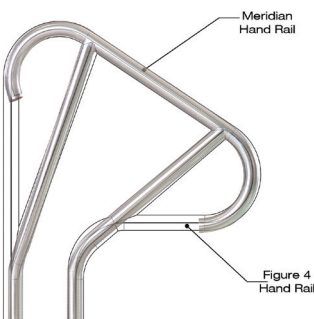
Bent Transfer Rail with flanges



MODERN RAIL SERIES

The designer-inspired S.R.Smith® modern rail series provide an elegant custom look for any pool environment. Made to easily fit the same footprint as traditional rails, they are the ideal choice for pool renovation projects and new construction.

- 1.90" OD tubing
- .065" wall thickness
- 304 or 316L stainless steel
- Ladder features stainless-steel treads
- Contact S.R.Smith® for powder coating option



Overlay of MER-1001S and Figure 4 Handrail

MODERN RAIL MODEL	EASILY REPLACES
Handrail	Figure 4
Ladder	24" 3-Step Ladder
Stair Rail	5' 2-Bend or 5' 3-Bend Stair Rails
Deck-Mounted Stair Rail	DMS-100, 101, 102 & 103
Deck-Mounted Handrail*	Deck-Mounted Rail 50-902

*Not available in Meridian Series



Artisan Series MODERN RAILS

The Artisan Series is a designer-inspired rail line that provides an elegant custom look for any pool environment. They are the ideal choice for pool renovation projects.

- Wall Thickness: .065"
 - Stainless Steel: 304 or 316L Marine Grade* (add -MG to part number)
 - Treads (Ladder Only): LTDF-103-R Stainless Steel
 - Recommended anchors: AS-100P or AS-100B (order separately)
 - Recommended escutcheon: EP-100F (order separately)
- * Minimum requirement for salt pools is 316L Marine Grade.

Part No.	Description	Weight	Shipping		
			Length	Width	Height
ART-1001S	Single Deck Rail	15 lbs 7kg	49" 125cm	39" 99cm	2" 5cm
ART-1001	Deck Rail (pair)	30 lbs 14kg	49" 125cm	39" 15cm	5" 13cm
ART-1002	Ramp/Stair Rail (single)	25 lbs 11kg	84" 213cm	70" 177cm	2" 5cm
ART-1003	Ladder, 3 Step	40 lbs 18kg	78" 198cm	41" 104cm	2" 8cm
ART-1004	Deck-Mounted Stair Rail (single)	20 lbs 9kg	70" 178cm	39" 99cm	2" 5cm
ART-1005	Deck-Mounted Stair Rail (pair)	40 lbs 18kg	78" 198cm	41" 104cm	5" 5cm



ART-1001S - SINGLE
ART-1001 - PAIR



ART-1002



ART-1003

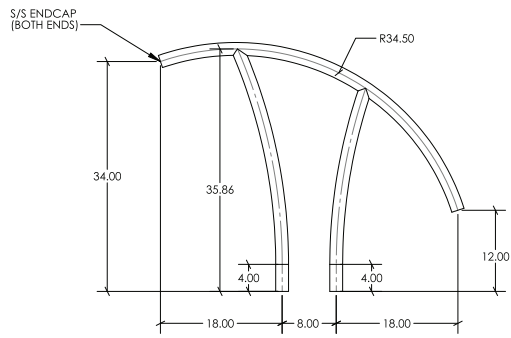


ART-1004

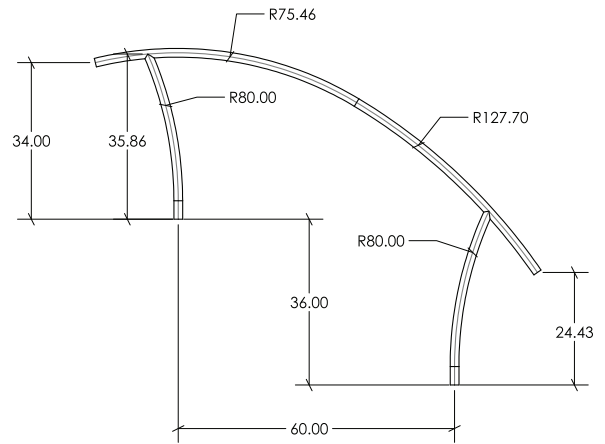


ART-1005

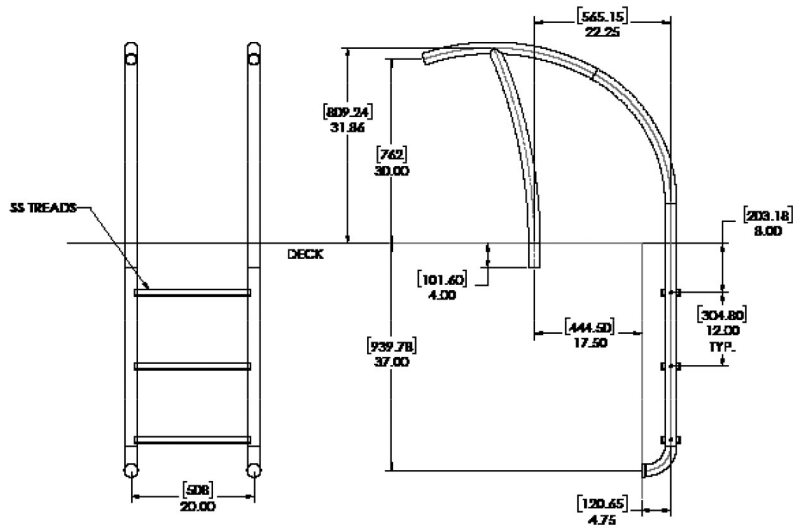
HANDRAIL (ART-1001)



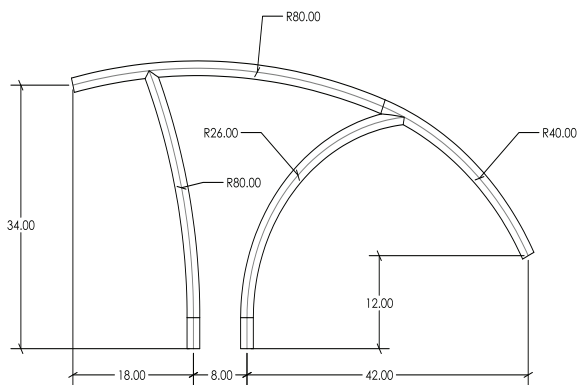
STAIR RAIL (ART-1002)



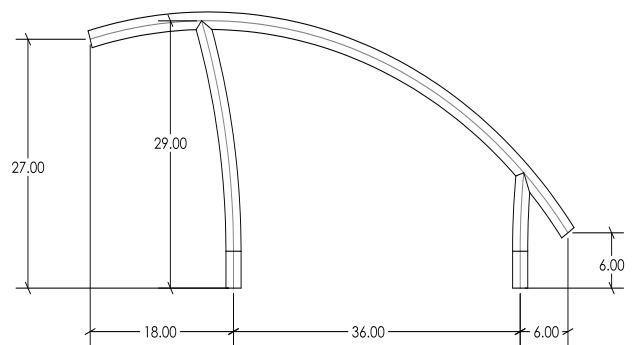
LADDER (ART-1003)



DECK-MOUNTED STAIR RAIL (ART-1004)



DECK-MOUNTED HANDRAIL (ART-1005)





Meridian Series MODERN RAILS

The Meridian Series is a patent-pending designer-inspired rail line that provides an elegant custom look for any pool environment. They are the ideal choice for pools with limited deck space.

- Tubing: 1.90" OD
- Wall Thickness: .065"
- Stainless Steel: 304 or 316L Marine Grade* (add -MG to part number)
- Treads (Ladder Only): LTDF-103-R Stainless Steel
- Options: Powder-coating available
- Recommended anchors: AS-100P or AS-100B (order separately)
- Recommended escutcheon: EP-100F (order separately)

* Minimum requirement for salt pools is 316L Marine Grade.

Part No.	Description	Weight	Shipping		
			Length	Width	Height
MER-1001S	Single Deck Rail	18 lbs 8kg	38" 96cm	32" 81cm	4" 10cm
MER-1001	Deck Rail (pair)	32 lbs 14kg	38" 96cm	32" 81cm	4" 10cm
MER-1002	Ramp/Stair Rail (single)	25 lbs 10kg	72" 183cm	40" 101cm	3" 8cm
MER-1003	Ladder, 3 Step	42 lbs 19kg	77" 196cm	41" 104cm	4" 10cm
MER-1004	Deck-Mounted Stair Rail (single)	20 lbs 9kg	60" 152cm	38" 97cm	2" 5cm



MER-1001 - PAIR



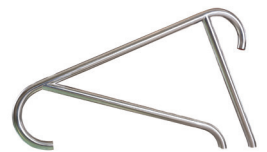
MER-1001S - PAIR



MER-1002



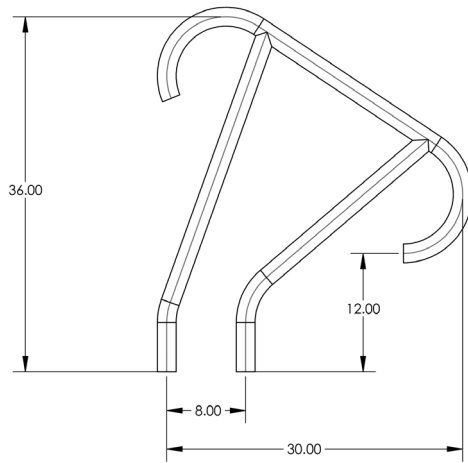
MER-1003



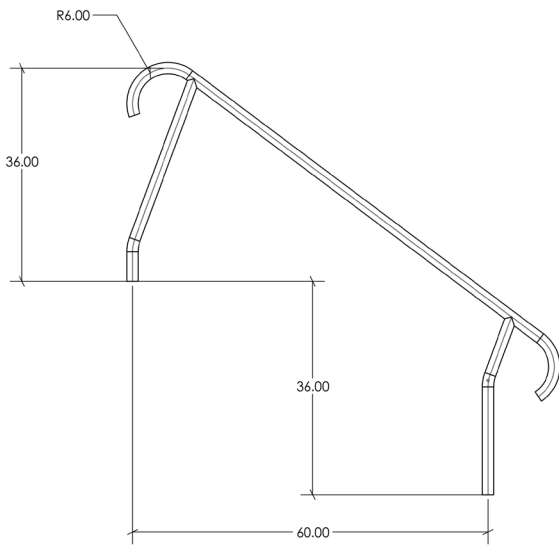
MER-1004

May be available in Powder-Coated finishes. Please reach out to CustomerCare@SRSmith.com to confirm the color and finish availability.

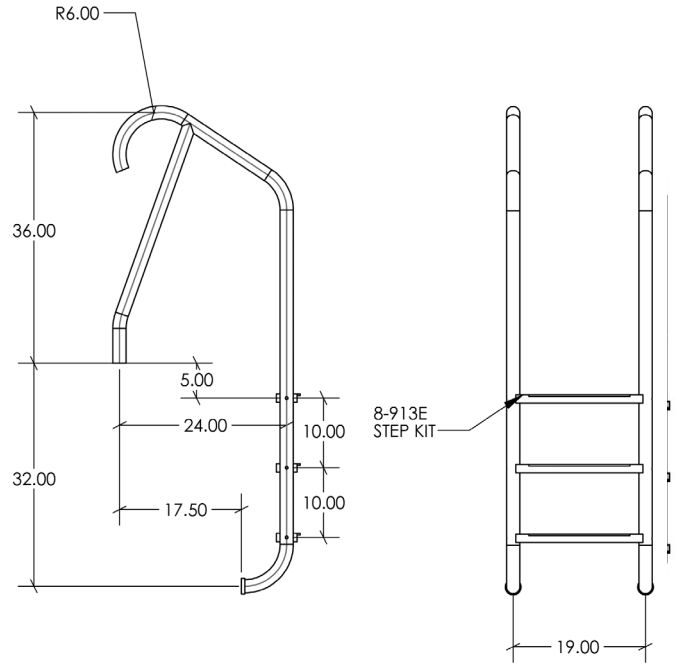
HANDRAIL (MER-1001S)



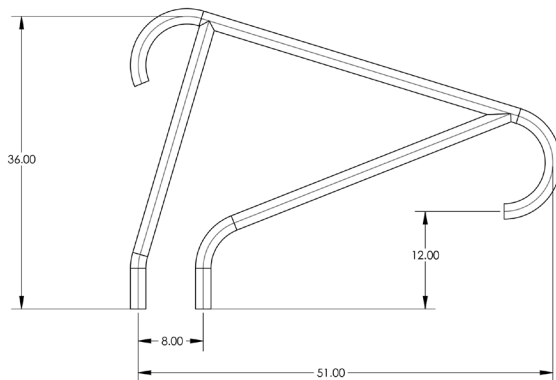
STAIR RAIL (MER-1002)



LADDER (MER-1003)



DECK-MOUNTED STAIR RAIL (MER-1004)





Designer Series MODERN RAILS

The Designer Series can replace traditional pool rails for a upgraded sophisticated look in any pool environment.

- Tubing: 1.90" OD
- Wall Thickness: .065"
- Polished pool grade stainless steel (304 alloy), marine grade (316l alloy), and color coated
- Deck top mounted versions available
- Salt Pool Safe™ when rails upgraded to Powder Coating or Marine Grade
- Upgradeable deck top mounted flanged versions (escutcheons included)

Part No.	Description	Weight	Shipping		
			Length	Width	Height
DR-G3D065	Grab Rail - Pair	31 lbs 14kg	37" 94cm	31" 79cm	4" 10cm
DR-G3D065-Single	Grab Rail - Single	17 lbs 8kg	38" 17cm	33" 15cm	3" 8cm
DR-D3D50065	Deck to Deck Return Stair Rail	23 lbs 10.5kg	55" 22cm	40" 18cm	3" 8cm
DR-L3065P-W	3 Tread Ladder w/HIP Tread	32 lbs 15kg	74" 33cm	29" 13cm	3" 8cm

Powder coating options may be available. On ALL powder-coated rails, the bottom 4" of the stainless steel is NOT powder coated. If you use 3" anchors, a 3" option is available upon request.



DR-G3D065-S - SINGLE
DR-G3D065 - PAIR

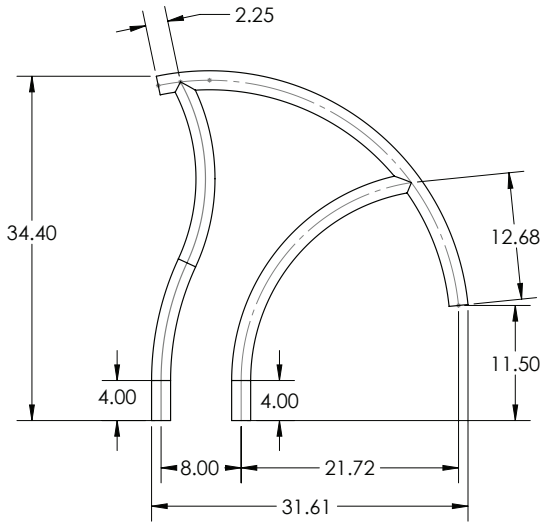


DR-D3D50065

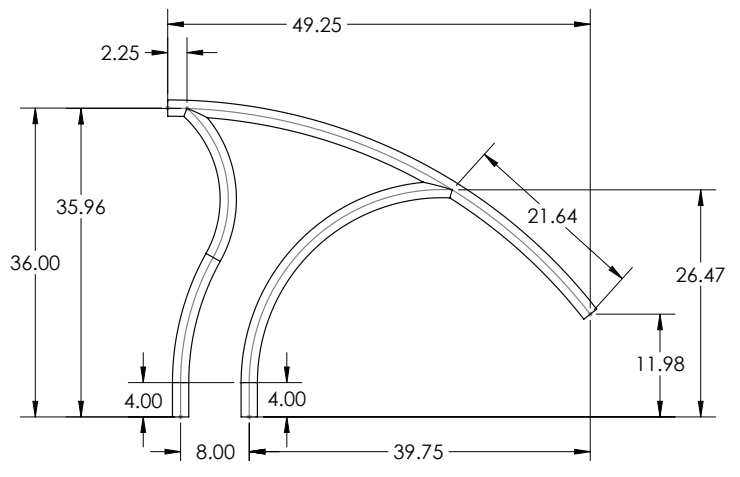


DR-L3065P-W - 3 STEP W/HIP TREAD
DR-L3065S - 3 STEP W/SUT TREAD

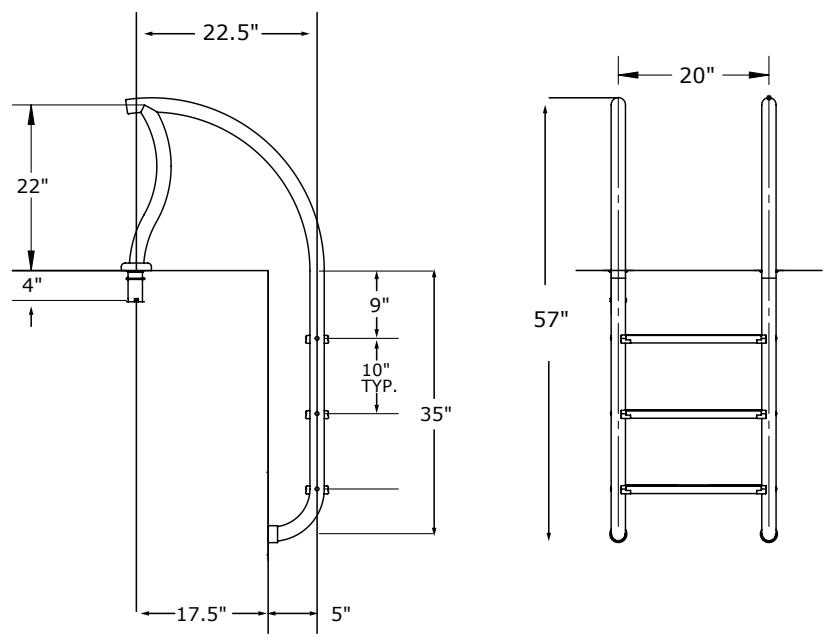
DR-G3D065-S - SINGLE
 DR-G3D065 - PAIR



DR-D3D DECK TO DECK RETURN STAIR RAIL



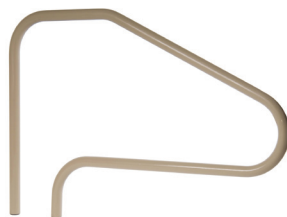
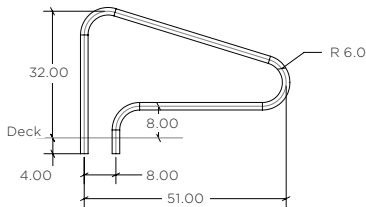
DESIGNER 3 TREAD LADDER



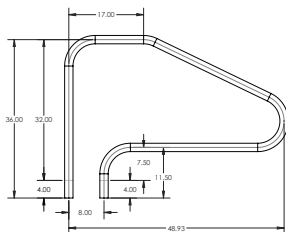
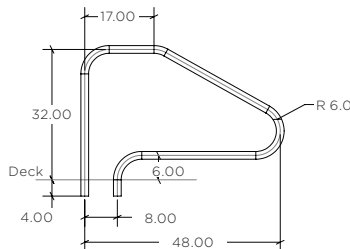
Deck-Mounted Hand & Stair Rails



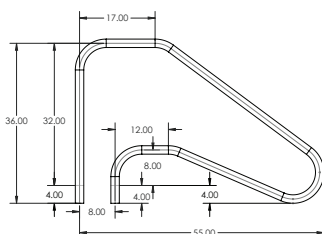
DMS-100



DMS-101



D4D049



D5D049

- Tubing: 1.90" OD
- Wall Thickness*: .049" or .065"
- Stainless Steel: 304 or 316L Marine Grade** (add -MG to part number)
- Bends: 6" Radius
- Recommended anchors: AS-100P or AS-100B (order separately)
- Recommended escutcheon: EP-100F (order separately)
- Sold as a single rail

* Minimum rail thickness is .065 for Commercial

** Minimum requirement for salt pools is 316L Marine Grade

DMS-100

Part No.	Description	Shipping			
		Weight	Length	Width	Height
DMS-100A	51" Center Grab Rail, .049"				
DMS-100B	51" Center Grab Rail, .065"	18 lbs 8kg	59" 150cm	39" 99cm	2" 5cm
DMS-100S	60" Center Grab Rail, .065"				

DMS-101

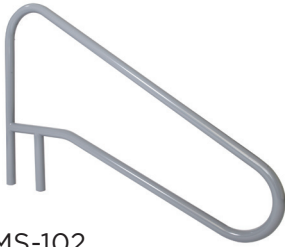
Part No.	Description	Shipping			
		Weight	Length	Width	Height
DMS-101A	48" Center Grab Rail, .049"	16 lbs	59"	39"	2"
DMS-101B	48" Center Grab Rail, .065"	7kg	150cm	99cm	5cm

DECK TO DECK MOUNTED

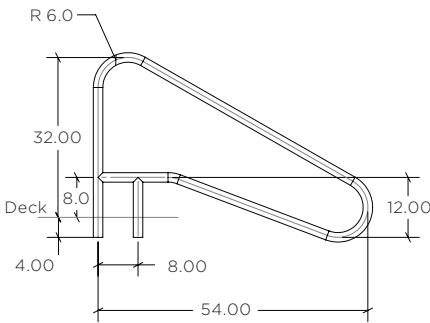
Part No.	Description	Shipping			
		Weight	Length	Width	Height
D4D049	4 Bend Stair Rail, .049"	16 lbs	57"	39"	2"
D5D049	5 Bend Stair Rail, .049"	7kg	145cm	99cm	5cm

May be available in powder-coated finishes. Please reach out to CustomerCare@SRSmith.com to confirm the color and finish availability.

Deck-Mounted Hand & Stair Rails



DMS-102



- Tubing: 1.90" OD
- Wall Thickness*: .049" or .065"
- Stainless Steel: 304 or 316L Marine Grade** (add -MG to part number)
- Bends: 6" Radius
- Recommended anchors: AS-100P or AS-100B (order separately)
- Recommended escutcheon: EP-100F (order separately)
- Sold as a single rail

* Minimum rail thickness is .065 for Commercial

** Minimum requirement for salt pools is 316L Marine Grade

DMS-102

Part No.	Description	Weight	Shipping		
			Length	Width	Height
DMS-102A	54" Center Grab Rail, .049"	19 lbs 9kg	59" 150cm	39" 99cm	2" 5cm
DMS-102B	54" Center Grab Rail, .065"	19 lbs 9kg	59" 150cm	39" 99cm	2" 5cm
DMS-102P	54" Center Grab Rail, .049" w/ welded mounting plate	19 lbs 9kg	59" 150cm	39" 99cm	2" 5cm



D4BD049-FL

DECK TOP MOUNT

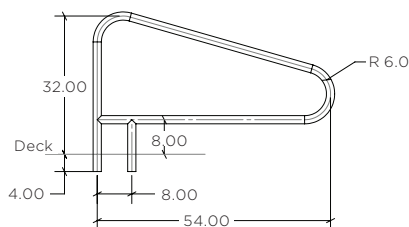
Part No.	Description	Weight	Shipping		
			Length	Width	Height
D4BD049-FL	48" Center Grab Rail, .049" w/ flanges and escutcheons	17 lbs 8kg	59" 150cm	39" 99cm	2" 5cm



DMS-103

DMS-103

Part No.	Description	Weight	Shipping		
			Length	Width	Height
DMS-103A	54" Center Grab Rail, .049"	14 lbs – 18 lbs 6 – 8kg	59" 150cm	39" 99cm	2" 5cm
DMS-103B	54" Center Grab Rail, .065"	14 lbs – 18 lbs 6 – 8kg	59" 150cm	39" 99cm	2" 5cm



DECK TOP MOUNT

Part No.	Description	Weight	Shipping		
			Length	Width	Height
D3D50049-FL	50" 3-Bend Stair Rail, .049" w/flanges and escutcheons	27 lbs 12kg	61" 155cm	38" 97cm	7" 18cm

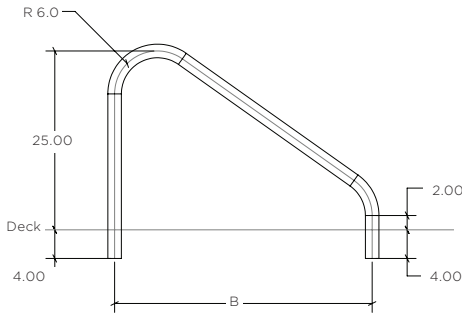
May be available in powder-coated finishes. Please reach out to CustomerCare@SRSmith.com to confirm the color and finish availability.



Deck-Mounted Stair Rails

- Tubing: 1.90" OD
- Wall Thickness: .049"
- Stainless Steel: 304 or 316L Marine Grade* (add -MG to part number)
- Bends: 6" Radius
- Recommended anchors: AS-100B (order separately)
- Recommended escutcheon: EP-100F (order separately)
- Sold as pairs

* Minimum requirement for salt pools is 316L Marine Grade



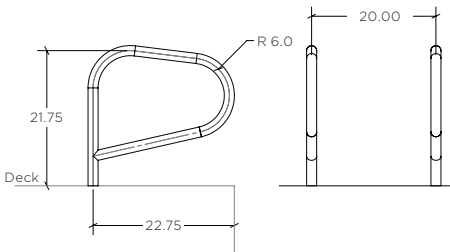
Part No.	Description	Weight	Shipping		
			Length	Width	Height
50-901	30" Side Stair Rail	18 lbs 8kg	40" 102cm	32.5" 82cm	4" 10cm
50-770	32" Side Stair Rail	18 lbs 8kg	40" 102cm	32" 81cm	4" 10cm
50-902	36" Side Stair Rail	15 lbs 7kg	40" 102cm	62.5" 159cm	4" 10cm
50-766	40" Side Stair Rail	18 lbs 8kg	40" 102cm	32" 81cm	4" 10cm
50-903	42" Side Stair Rail	18 lbs 8kg	59" 150cm	39" 99cm	2" 5cm



P-Rails

- Tubing: 1.625" OD
- Wall Thickness: .049"
- Stainless Steel: 304 or 316L Marine Grade* (add -MG to part number)
- Bends: 6" Radius
- Recommended anchor: PR3-101
- Recommended escutcheon: EP-103 (order separately)

* Minimum requirement for salt pools is 316L Marine Grade



Part No.	Description	Weight	Shipping		
			Length	Width	Height
PR3-100B	Rail set only	12 lbs 6kg	32" 81cm	22" 56cm	4" 10cm

May be available in Powder-Coated finishes. Please reach out to CustomerCare@SRSmith.com to confirm the color and finish availability.

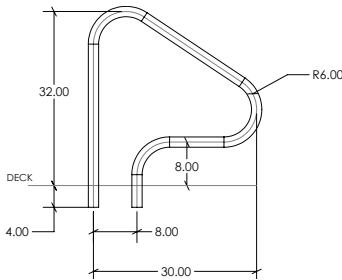
Figure 4



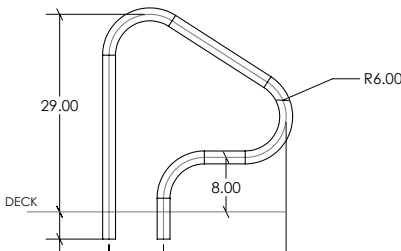
- 600-grit polished finish
- Stainless Steel: 304 or 316L Marine Grade* (add -MG to part number)
- Powder-coated options available
- Sold as pairs, unless otherwise noted
- Tubing: 1.90" OD
- Wall Thickness: .049", .065"
- Bends: 6" Radius
- Recommended anchors: AS-100B-SS (order separately)
- Recommended escutcheons: EP-100F (order separately)

* Minimum requirement for salt pools is 316L Marine Grade

RESIDENTIAL 30-INCH SETBACK



RESIDENTIAL 26-INCH SETBACK



Part No.	Description	Weight	Shipping		
			Length	Width	Height
F4H-100	30" Figure 4, .065" wall, pair 1.90" OD	24 lbs 11kg	39" 99cm	32" 81cm	4" 10cm
F4H-101	30" Figure 4, .049" wall, pair 1.90" OD	19 lbs 9kg	39" 99cm	32" 81cm	4" 10cm
F4H-102	26" Figure 4, .049" wall, pair 1.90" OD	18 lbs 8kg	39" 99cm	32" 81cm	4" 10cm
F4H-102S	26" Figure 4, .049" wall, pair 1.90" OD	12 lbs 5kg	39" 99cm	32" 81cm	4" 10cm

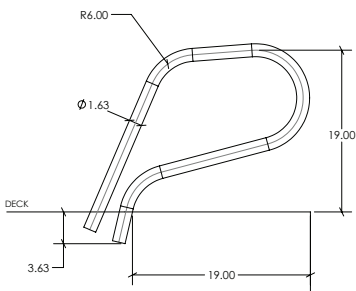
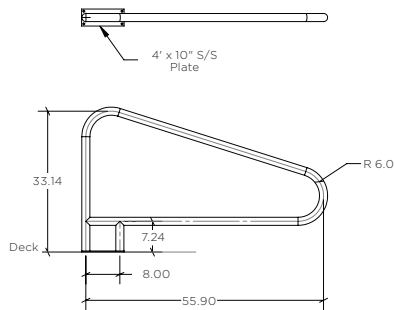
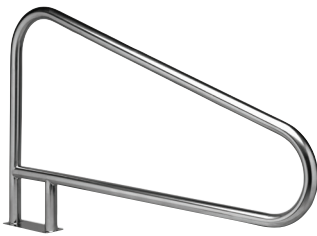
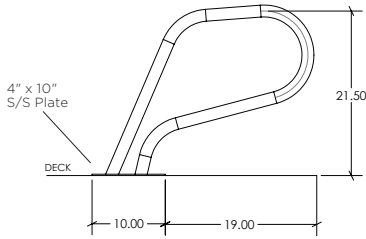
DECK TOP MOUNT

Part No.	Description	Weight	Shipping		
			Length	Width	Height
G3D049-FL-SINGLE	28" Figure 4, .049" w/ Flanges & Escutcheons	13 lbs 6kg	36" 91cm	31" 78cm	6" 15cm
G3D049-FL	28" Figure 4, .049" w/ Flanges & Escutcheons	18 lbs 8kg	37" 94cm	32" 81cm	5" 13cm
G3D065S-12EXT	28" Figure 4, .049" w/ 12" Extensions on Both Legs	16 lbs 7kg	53" 135cm	38" 97cm	3" 8cm
G3DE049	26" Figure 4, .049", Pair, w/ Flanges & Escutcheons	18 lbs 8kg	37" 94cm	32" 81cm	5" 13cm

ECONOMY

Part No.	Description	Weight	Shipping		
			Length	Width	Height
G3DE049-FL-SINGLE	26" Figure 4 Rail, .049" w/flanges and escutcheons	17 lbs 8kg	36" 91cm	35" 89cm	6" 18cm
G3DE049	26" Figure 4 Rail, .049" w/flanges and escutcheons	18 lbs 8kg	37" 94cm	32" 81cm	5" 13cm
G3DE049-SINGLE	26" Figure 4 Rail, .049" w/flanges and escutcheons	12 lbs 8kg	38" 97cm	33" 84cm	3" 8cm

May be available in Powder-Coated finishes. Please reach out to CustomerCare@SRSmith.com to confirm the color and finish availability.



Spa Rail

- Tubing: 1.625" OD
- Wall Thickness: .049"
- Stainless Steel: 304 or 316L Marine Grade* (add -MG to part number)
- Bends: 6" Radius
- No anchor required. Includes a 4" by 10" stainless-steel plate drilled for 3/8" bolts (not included)

* Minimum requirement for salt pools is 316L Marine Grade

Part No.	Description	Shipping			
		Weight	Length	Width	Height
SR-100	Single Spa Rail - No Hardware	8 lbs 4kg	32" 81cm	22" 56cm	4" 10cm
SPA-1900	20" Single Spa Rail, .049"	8 lbs 4kg	34" 86cm	30" 76cm	3" 8cm

PR-500

- Tubing: 1.90" OD
- Wall Thickness: .049"
- Stainless Steel: 304
- Bends: 6" Radius
- No anchor required. Legs of the rail are surface welded to a mounting plate that has been drilled for 3/8" bolts (not included)

Part No.	Description	Shipping			
		Weight	Length	Width	Height
PR-500	Deck-Mounted Pool Rail with Flanges	18 lbs 8kg	59" 150cm	39" 99cm	2" 5cm

Residential Ring

- Tubing: 1.625" OD
- Wall Thickness: .049"
- Stainless Steel: 304 or 316L Marine Grade* (add -MG to part number)
- Recommended anchors: 34-306A
- Recommended escutcheons: 8-420

* Minimum requirement for salt pools is 316L Marine Grade

Part No.	Description	Shipping			
		Weight	Length	Width	Height
RRH-100	Ring Handrails - Rails Only (Pair)	18 lbs 8kg	32" 81cm	22" 56cm	4" 10cm

PARTS & ACCESSORIES

- 34-306A Bronze Anchor, Complete
- 8-415A Gibraltar Wedge Retrofit Kit

May be available in Powder-Coated finishes. Please reach out to CustomerCare@SRSmith.com to confirm the color and finish availability.

Stair Rails

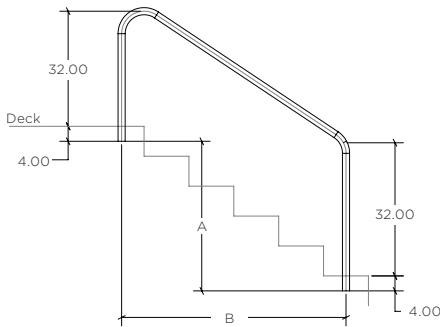
- Tubing: 1.90" OD
- Wall Thickness: .049" or .065"
- Stainless Steel: 304 or 316L Marine Grade** (add -MG to part number)
- Bends: 6" Radius
- Recommended anchors: AS-100B (order separately)
- Recommended escutcheon: EP-100F (order separately)

* Minimum rail thickness is .065 for Commercial

** Minimum requirement for salt pools is 316L Marine Grade



TWO BEND



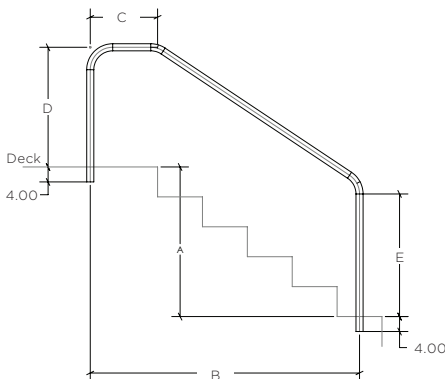
2-BEND

Part No.	Description	A	B	Weight	Shipping		
					Length	Width	Height
2HR-4	2-Bend Rail, 4'	26"	4'-0"	10-20 lbs 4-10 kg	70" 178 cm	37" 94cm	2" 5cm
2HR-5	2-Bend Rail, 5'	36"	5'-0"	12-25 lbs 5-11 kg	82" 208 cm	37" 94cm	2" 5cm
2HR-6	2-Bend Rail, 6'	46"	6'-0"	12-25 lbs 5-11 kg	97" 246 cm	37" 94cm	2" 5cm

- Add -049 to the part number for .049" wall. Add -065 to the part number for .065" wall.
- Extended Lengths: Add -1 to the part number for 12" extended length on pool (front) leg. Add -2 to the part number for 12" extended length on both legs. Add -3 to the part number for 12" extended length to deck leg.



THREE BEND



3-BEND

Part No.	Description	A	B	C	D	E	Weight	Shipping		
								Length	Width	Height
3HR-4	3-Bend Rail, 4'	26"	4'-0"	18"	32"	26"	11-22 lbs 5-10kg	60" 152cm	42" 107cm	2" 5cm
3HR-5	3-Bend Rail, 5'	36"	5'-0"	18"	32"	26"	12-24 lbs 5-11kg	72" 81cm	42" 107cm	2" 10cm
3HR-5.5	3-Bend Rail, 5.5'	32"	5'-6"	18"	32"	29"	13-21 lbs 6-10kg	78" 198cm	42" 107cm	2" 5cm
3HR-6	3-Bend Rail, 6'	46"	6'-0"	18"	32"	26"	13-32 lbs 6-14kg	84" 213cm	42" 107cm	2" 5cm
3HR-6.5	3-Bend Rail, 6.5'	32"	6'-6"	35"	34"	29"	16-34 lbs 7-15kg	90" 229cm	42" 107cm	2" 5cm
3HR-7	3-Bend Rail, 7'	36"	7'-0"	40"	30"	29"	18-34 lbs 8-15kg	94" 239cm	42" 107cm	2" 5cm
3HR-8	3-Bend Rail, 8'	30"	8'-0"	53"	34"	33"	21-39 lbs 10-18kg	105" 267cm	42" 107cm	2" 5cm

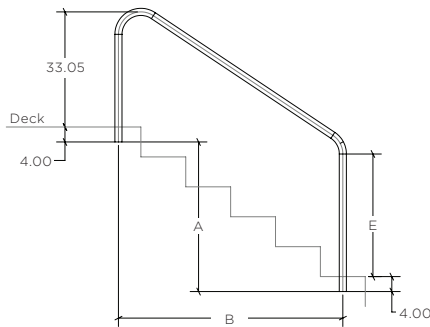
- Add -049 to the part number for .049" wall. Add -065 to the part number for .065" wall.
- Extended Lengths: Add -1 to the part number for 12" extended length on pool (front) leg. Add -2 to the part number for 12" extended length on both legs. Add -3 to the part number for 12" extended length to deck leg.

May be available in Powder-Coated finishes. Please reach out to CustomerCare@SRSmith.com to confirm the color and finish availability.

Heavy-Duty Stair Rails

- Tubing: 1.50" or 1.90" OD
- Wall Thickness: .065", .109", .120" or .145"
- Stainless Steel: 304
- Bends: 6" Radius
- Recommended anchors: AS-200B for 1.50" and AS-100B for 1.90"*
- Recommended escutcheons: EP-150 for 1.50" and EP-100F for 1.90"*
*order separately

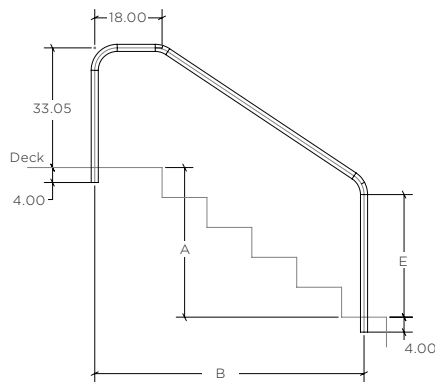
HEAVY-DUTY TWO BEND



2-Bend Heavy Duty

10145 - 10147:	A=26"	B=48"	E=33.55"
10148 - 10150:	A=34"	B=60"	E=33.85"
10151 - 10153:	A=42"	B=72"	E=34.05"

HEAVY-DUTY THREE BEND



3-Bend Heavy Duty

10154 - 10156:	A=26"	B=48"	E=30.31"
10157 - 10159:	A=34"	B=60"	E=30.19"
10160 - 10162:	A=42"	B=72"	E=30.12"

2-BEND (1.90" OD)

Part No.	Description	A	B	C	Shipping			
					Weight	Length	Width	Height
10145	2-Bend Rail, 4', .065"				14 lbs 6kg	70" 178cm	37" 94cm	2" 5cm
10146	2-Bend Rail, 4', .109"	26"	48"	33.55"	23 lbs 10kg	70" 178cm	37" 94cm	2" 5cm
10147	2-Bend Rail, 4', .145"				30 lbs 14kg	70" 178cm	37" 94cm	2" 5cm
10148	2-Bend Rail, 5', .065"				16 lbs 7kg	82" 208cm	37" 94cm	2" 5cm
10149	2-Bend Rail, 5', .109"	34"	60"	33.85"	25 lbs 11kg	82" 208cm	37" 94cm	2" 5cm
10150	2-Bend Rail, 5', .145"				33 lbs 15kg	82" 208cm	37" 94cm	2" 5cm
10151	2-Bend Rail, 6', .065"				17 lbs 8kg	97" 246cm	37" 94cm	2" 5cm
10152	2-Bend Rail, 6', .109"	42"	72"	34.05"	28 lbs 13kg	97" 246cm	37" 94cm	2" 5cm
10153	2-Bend Rail, 6', .145"				36 lbs 16kg	97" 246cm	37" 94cm	2" 5cm

2-BEND (1.50" OD)

Part No.	Description	Shipping			
		Weight	Length	Width	Height
12047	2-Bend Rail, 4', .120"	17 lbs 8kg	70" 178cm	37" 94cm	2" 5cm
12048	2-Bend Rail, 5', .120"	18 lbs 8kg	82" 208cm	37" 94cm	2" 5cm
12049	2-Bend Rail, 6', .120"	20 lbs 9kg	97" 246cm	37" 94cm	2" 5cm

3-BEND (1.90" OD)

Part No.	Description	A	B	C	Shipping			
					Weight	Length	Width	Height
10154	3-Bend Rail, 4', .065"				14 lbs 6kg	60" 152cm	42" 107cm	2" 5cm
10155	3-Bend Rail, 4', .109"	26"	48"	30.31"	23 lbs 10kg	60" 152cm	42" 107cm	2" 5cm
10156	3-Bend Rail, 4', .145"				30 lbs 14kg	60" 152cm	42" 107cm	2" 5cm
10157	3-Bend Rail, 5', .065"				16 lbs 7kg	72" 183cm	42" 107cm	2" 5cm
10158	3-Bend Rail, 5', .109"	34"	60"	30.19"	25 lbs 11kg	72" 183cm	42" 107cm	2" 5cm
10159	3-Bend Rail, 5', .145"				33 lbs 15kg	72" 183cm	42" 107cm	2" 5cm
10160	3-Bend Rail, 6', .065"				17 lbs 8kg	84" 213cm	42" 107cm	2" 5cm
10161	3-Bend Rail, 6', .109"	42"	72"	30.12"	28 lbs 13kg	84" 213cm	42" 107cm	2" 5cm
10162	3-Bend Rail, 6', .145"				36 lbs 16kg	84" 213cm	42" 107cm	2" 5cm

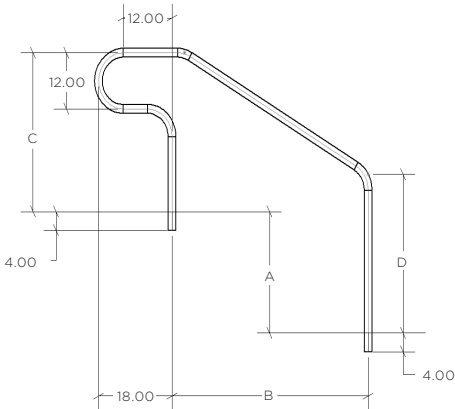
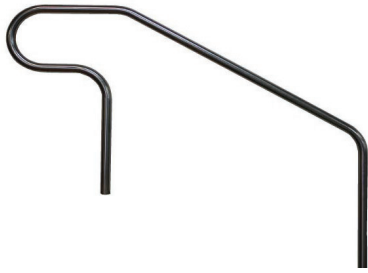
3-BEND (1.50" OD)

Part No.	Description	Shipping			
		Weight	Length	Width	Height
12050	3-Bend Rail, 4', .120"	17 lbs 8kg	60" 152cm	42" 107cm	2" 5cm
12051	3-Bend Rail, 5', .120"	18 lbs 8kg	72" 183cm	42" 107cm	2" 5cm
12052	3-Bend Rail, 6', .120"	20 lbs 9kg	84" 213cm	42" 107cm	2" 5cm

May be available in Powder-Coated finishes. Please reach out to CustomerCare@SRSmith.com to confirm the color and finish availability.



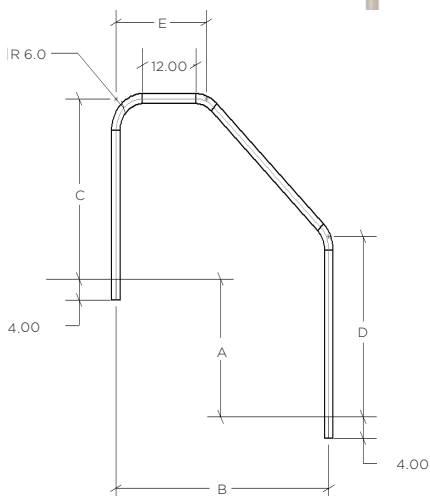
ADA Extended 2-Bend Stair Rail



- Tubing: 1.90" OD
 - Wall Thickness: .065"
 - Stainless Steel: 304 or 316L Marine Grade* (add -MG to part number)
 - Bends: 6" Radius
 - Powder-coated options available
 - Recommended anchors: AS-100B (order separately)
 - Recommended escutcheon: EP-100F (order separately)
- * Minimum requirement for salt pools is 316L Marine Grade

Part No.	Description	A	B	C	D	Weight	Shipping		
							Length	Width	Height
2HR-4ADA	4' Rail	26"	48"	34"	34"	20 lbs 9kg	72" 152cm	42" 107cm	4" 5cm
2HR-5ADA	5' Rail	36"	60"	34"	34"	22 lbs 10kg	84" 213cm	42" 107cm	4" 10cm
2HR-6ADA	6' Rail	46"	72"	34"	34"	24 lbs 11kg	96" 244cm	42" 107cm	4" 10cm

ADA 3-Bend Stair Rails

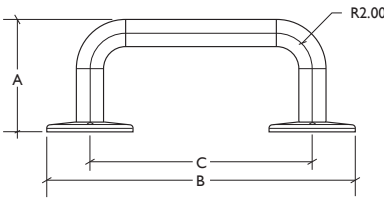


- Tubing: 1.90" OD
 - Wall Thickness: .065"
 - Stainless Steel: 304 or 316L Marine Grade* (add -MG to part number)
 - Bends: 6" Radius
 - Recommended anchors: AS-100B (order separately)
 - Recommended escutcheon: EP-100F (order separately)
- * Minimum requirement for salt pools is 316L Marine Grade

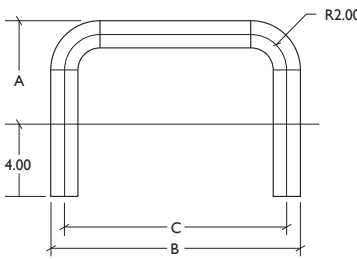
Part No.	Des.	A	B	C	D	E	Weight	Shipping		
								Length	Width	Height
3HR-4ADA	4' Rail	26"	48"	34"	34"	20.38"	20 lbs 10kg	60" 152cm	42" 107cm	4" 5cm
3HR-5ADA	5' Rail	36"	60"	34"	34"	20.32"	22 lbs 10kg	72" 178cm	42" 107cm	4" 10cm
3HR-5.5ADA	6' Rail	32"	66"	34"	34"	19.88"	24 lbs 11kg	78" 198cm	42" 107cm	4" 10cm
3HR-6ADA	6' Rail	46"	72"	34"	34"	20.28"	26 lbs 12kg	84" 213cm	42" 107cm	4" 10cm
3HR-6.5ADA	6'6" Rail	32"	78"	34"	34"	35"	28 lbs 13kg	90" 229cm	42" 107cm	4" 10cm
3HR-7ADA	7' Rail	36"	84"	34"	34"	40"	30 lbs 14kg	96" 244cm	42" 107cm	4" 10cm
3HR-8ADA	8' Rail	30"	96"	34"	34"	53"	32 lbs 14kg	108" 274cm	42" 107cm	4" 10cm

ADA Transfer Rails

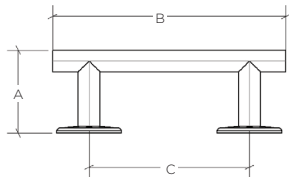
BENT RAILS WITH FLANGES



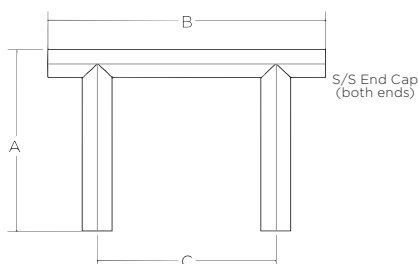
BENT RAILS WITHOUT FLANGES



STRAIGHT RAILS WITH FLANGES



STRAIGHT RAILS WITHOUT FLANGES



- Tubing: 1.50" OD
- Wall Thickness: .120"
- Stainless Steel: 316L Marine Grade*
- Recommended anchor: AS-200B if not flanged (order separately)
- Recommended escutcheon: EP-150 if not flanged (order separately)
- Flanged models include mounting hardware (3/8-16 UNC anchor bolts)
- More transfer and exercise rails on page 102
- Sold as a single rail

* Minimum requirement for salt pools is 316L Marine Grade

TRANSFER GRAB RAIL WITH FLANGES - MARINE GRADE

Part No.	Description	A	B	C	Weight	Shipping		
						Length	Width	Height
EB-12A	12" Rail	5.75"	12"	7.5"	6 lbs 3kg	18" 46cm	6" 15cm	4" 10cm
EB-14A	14" Rail	5.75"	14"	9.5"	6 lbs 3kg	18" 46cm	6" 15cm	4" 10cm
EB-16A	16" Rail	5.75"	16"	11.5"	6 lbs 3kg	18" 46cm	6" 15cm	4" 10cm
EB-18A	18" Rail	5.75"	18"	13.5"	7 lbs 3kg	18" 46cm	6" 15cm	4" 10cm
60-718	Mounting Hardware	5.75"			2 lbs 1kg	18" 46cm	3" 8cm	4" 10cm

- No SealedSteel or Powder-Coated on flanged models.

TRANSFER GRAB RAIL - ANCHORS

Part No.	Description	A	B	C	Weight	Shipping		
						Length	Width	Height
EB-12B	12" Rail	5.75"	10"	8.5"	5 lbs 2kg	11" 28cm	11" 28cm	3" 8cm
EB-14B	14" Rail	5.75"	12"	10.5"	5 lbs 2kg	13" 33cm	11" 28cm	3" 8cm
EB-16B	16" Rail	5.75"	14"	12.5"	5 lbs 2kg	15" 38cm	11" 28cm	3" 8cm
EB-18B	18" Rail	5.75"	16"	14.5"	6 lbs 2kg	17" 43cm	11" 28cm	3" 8cm

STRAIGHT TRANSFER RAILS WITH FLANGES - MARINE GRADE

Part No.	Description	A	B	C	Weight	Shipping		
						Length	Width	Height
TR-12A	12" Rail	5.75"	12"	7"	6 lbs 2kg	18" 45cm	16" 40cm	4" 10cm
TR-14A	14" Rail	5.75"	14"	9"	7 lbs 3kg	18" 45cm	16" 40cm	4" 10cm
TR-16A	16" Rail	5.75"	16"	11"	7 lbs 3kg	18" 45cm	16" 40cm	4" 10cm
TR-18A	18" Rail	5.75"	18"	13"	7 lbs 3kg	18" 45cm	6" 40cm	4" 10cm
60-718	Mounting Hardware	5.75"			2 lbs 1kg	3" 8cm	3" 8cm	4" 10cm

- No SealedSteel or Powder-Coated on flanged models.

STRAIGHT TRANSFER RAILS - ANCHORS

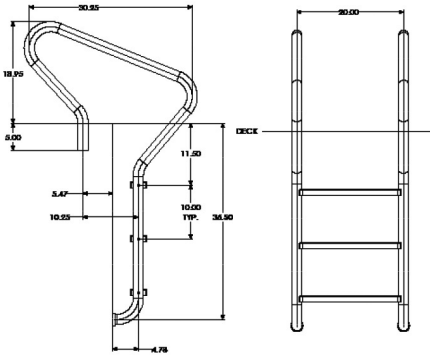
Part No.	Description	A	B	C	Weight	Shipping		
						Length	Width	Height
TR-12B	12" Rail	9.75"	12"	7"	6 lbs 2kg	13" 33cm	11" 28cm	3" 8cm
TR-14B	14" Rail	9.75"	14"	9"	6 lbs 2kg	15" 38cm	11" 28cm	3" 8cm
TR-16B	16" Rail	9.75"	16"	11"	6 lbs 2kg	17" 43cm	11" 28cm	3" 8cm
TR-18B	18" Rail	9.75"	18"	13"	6 lbs 3kg	19" 48cm	11" 28cm	3" 8cm





Camelback Ladder

- Tubing: 1.90" OD
- Wall Thickness: .049"
- Stainless Steel: 304
- Treads: LTDF-101-R Plastic (Econoline) or LTDF-103-R Stainless Steel (Elite)
- Bends: 4" Radius
- Recommended anchors: AS-100B (order separately)
- Recommended escutcheon: EP-100F (order separately)



Part No.	Description	Shipping			
		Weight	Length	Width	Height
CBL-103E	3-Step Ladder, Econoline	27 lbs 12kg	59" 150cm	39" 99cm	2" 5cm
CBL-103S	3-Step Ladder, Elite	32 lbs 14kg	59" 150cm	39" 99cm	2" 5cm

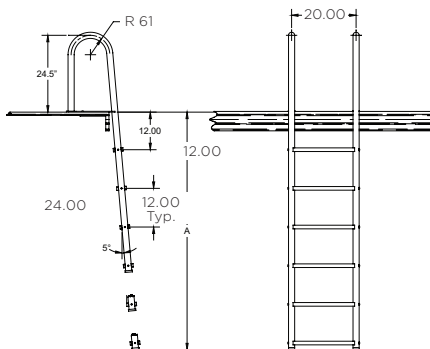
Frames extend 6.5" from the pool wall. Frame is secured to the pool deck with two anchor sockets, 5.5" from the pool wall on 20" centers (Elite model) or 19" centers (Econoline model). The lower end of the frame is bent to meet the pool wall and fitted with two white rubber bumpers (WRB-100A)



Dock Ladder

- Tubing: 1.90" OD
- Wall Thickness: .065"
- Stainless Steel: 304 or 316L Marine Grade* (add - MG to part number)
- Treads: LTDF-103-R Stainless Steel
- Bends: 4" Radius

* Minimum requirement for salt pools is 316L Marine Grade



Part No.	Description	Shipping			
		Weight	Length	Width	Height
LLS-4	4-Step Ladder	60 lbs 27kg	82" 208cm	28" 71cm	2" 5cm
LLS-5	5-Step Ladder	65 lbs 29kg	90" 229cm	28" 71cm	2" 5cm
LLS-6	6-Step Ladder	70 lbs 32kg	98" 249cm	28" 71cm	2" 5cm

The keyhole tie down plate (1/4" x 2" x 15") allows the ladder to be easily locked and unlocked from the deck. Mounting bolts are not included but require 3/8" x 4" long bolt.

May be available in Powder-Coated finishes. Please reach out to CustomerCare@SRSmith.com to confirm the color and finish availability.

Dade County Ladder

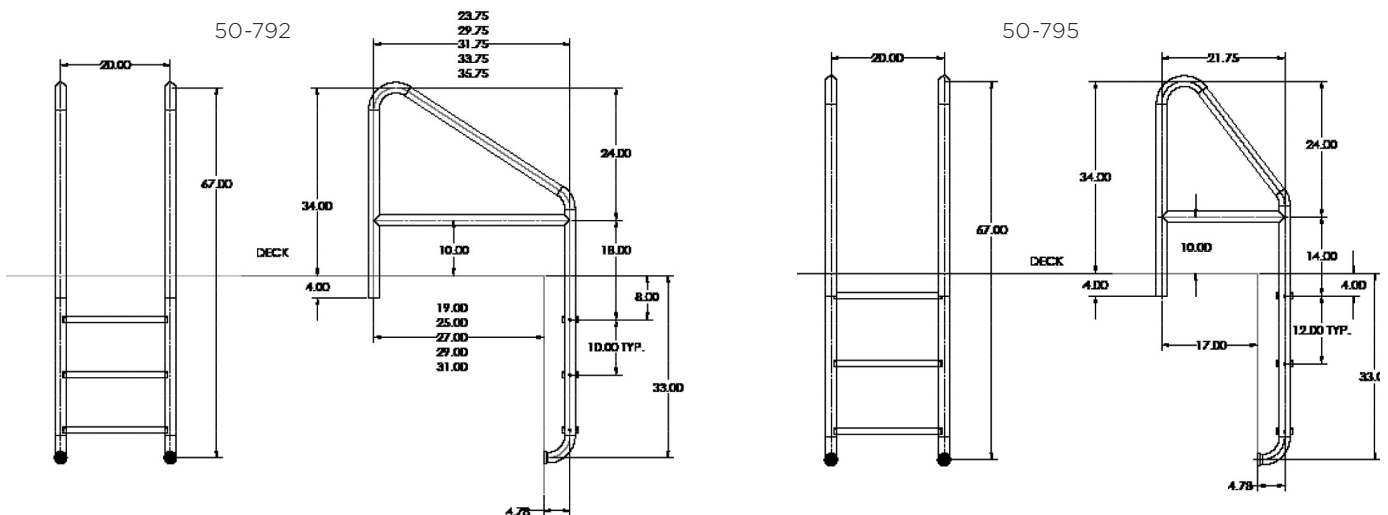


- Tubing: 1.90" OD
- Wall Thickness: .049"
- Stainless Steel: 304 or 316L Marine Grade* (add -MG to part number)
- Treads: LTDF-101-R Plastic (Econoline) or LTDF-103-R Stainless Steel (Elite)
- Bends: 4" Radius
- Recommended anchors: AS-100B (order separately)
- Recommended escutcheon: EP-100F (order separately)

* Minimum requirement for salt pools is 316L Marine Grade

Econoline	Description	Weight	Shipping		
			Length	Width	Height
50-792E-24	24" 3-Step Rollout w/ Crossbrace, Econoline	32lbs 14kg			
50-792S-24	24" 3-Step Rollout w/ Crossbrace, Elite	34lbs 15kg			
50-792E-30	30" 3-Step Rollout w/ Crossbrace, Econoline	34lbs 15kg			
50-792S-30	30" 3-Step Rollout w/ Crossbrace, Elite	36 lbs 16kg	78"	42"	2"
50-792E-32-MG	32" 3-Step Rollout w/ Crossbrace, Econoline	34lbs 15kg	198cm	107cm	5cm
50-792S-30	32" 3-Step Rollout w/ Crossbrace, Elite	36lbs 16kg			
50-792E-36	36" 3-Step Rollout w/ Crossbrace, Econolne	40lbs 18kg			
50-792S-36	36" 3-Step Rollout w/ Crossbrace, Elite	42lbs 20kg			
50-795E	22" 3-Step w/ Crossbrace, Econoline	35lbs 16kg	71"	29"	2"
50-795S	22" 3-Step w/ Crossbrace, Elite	37lbs 17kg	180cm	74cm	5cm

Frames extend 4.5" from the pool wall. Frame is secured to the pool deck with two anchor sockets on 20" centers (Elite model) or 19" centers (Econoline model). The lower end of the frame is bent to meet the pool wall and fitted with two white rubber bumpers (WRB-100A).



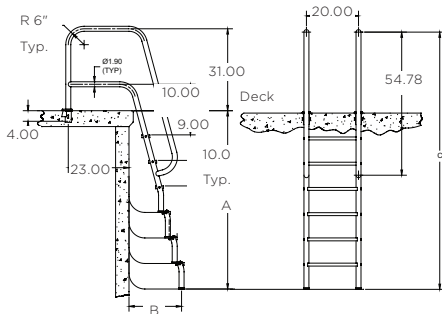
May be available in Powder-Coated finishes. Please reach out to CustomerCare@SRSmith.com to confirm the color and finish availability.



Easy-Out Therapeutic Ladder

- Tubing: 1.90" OD
- Wall Thickness: .065"
- Stainless Steel: 304 or 316L Marine Grade* (add -MG to part number)
- Treads: LTDF-105-R Stainless Steel
- Bends: 4" Radius
- Recommended anchor: AS-100B (order separately)
- Recommended escutcheon: EP-100F (order separately)

* Minimum requirement for salt pools is 316L Marine Grade



Econoline	Description	Weight	Length	Shipping	
				Width	Height
TL-3B	3-Step Ladder	35lbs 16kg	77" 196cm	41" 104cm	4" 10cm
TL-4C	4-Step Ladder	41lbs 18kg	82" 208cm	41" 104cm	4" 10cm
TL-5D	5-Step Ladder	47lbs 21kg	92" 234cm	41" 104cm	4" 10cm
TL-6E	6-Step Ladder	55lbs 25kg	105" 267cm	41" 104cm	4" 10cm

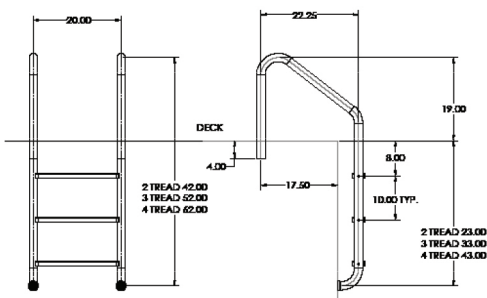
Frame is secured to the pool deck with two anchor sockets on 20" centers. The lower end of the frame rests on the pool floor and is fitted with two white rubber bumpers (WRB-100A)



Vinyl-Liner Economy Ladder

- Tubing: 1.90" OD
- Wall Thickness: .049"
- Stainless Steel: 304 or 316L Marine Grade* (add -MG to part number)
- Treads: LTDF-101-R Plastic (Econoline) or LTDF-103-R Stainless Steel (Elite)
- Bends: 4" Radius
- Recommended anchors: AS-100B (order separately)
- Recommended escutcheon: EP-100F (order separately)

* Minimum requirement for salt pools is 316L Marine Grade



Econoline	Description	Weight	Length	Width	Shipping
					Height
VLLS-102E	2-Step Ladder, Econoline	21 lbs 10kg			
VLLS-102S	2-Step Ladder, Elite	23 lbs 10kg	61"	29"	2" 5cm
VLLS-103E	3-Step Ladder, Econoline	23 lbs 10kg	155cm	74cm	
VLLS-103S	3-Step Ladder, Elite	25 lbs 11kg			
VLLS-104E	4-Step Ladder, Econoline	24 lbs 11kg	66"	29"	2" 5cm
VLLS-104S	4-Step Ladder, Elite	27 lbs 12kg	168cm	74cm	

Frames extend 5.5" from the pool wall. Frame is secured to the pool deck with two anchor sockets on 20" centers (Elite model) or 19" centers (Econoline model). The lower end of the frame is bent to meet the pool wall and fitted with two white rubber bumpers (WRB-100A)

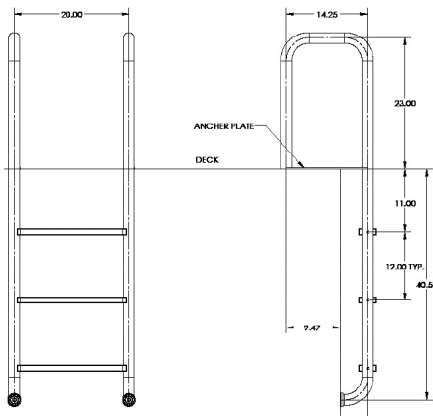
May be available in Powder-Coated finishes. Please reach out to CustomerCare@SRSmith.com to confirm the color and finish availability.



On-Ground Ladder

- Tubing: 1.90" OD
- Wall Thickness: .049"
- Stainless Steel: 304 or 316L Marine Grade* (add -MG to part number)
- Treads: LTDF-101-R Plastic (Econoline) or LTDF-103-R Stainless Steel (Elite)
- Bends: 4" Radius

* Minimum requirement for salt pools is 316L Marine Grade



Econoline	Description	Shipping			
		Weight	Length	Width	Height
OGL-3E-100	3-Step Ladder (66" Total Height), Econoline				
OGL-3S-100	3-Step Ladder (66" Total Height), Elite	27 lbs	69"	16"	2"
OGL-3E-101	3-Step Ladder (61" Total Height), Econoline	12kg	175cm	41cm	5cm
OGL-3S-101	3-Step Ladder (61" Total Height), Elite				

Mounting bolts are not included but require 3/8" x 4" long bolt.

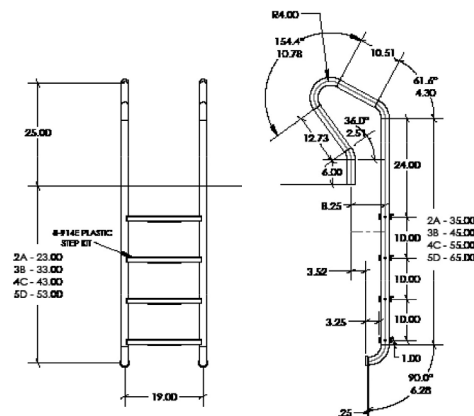
Frames extend 5 1/2" from the pool wall. Frame is secured to the pool deck with two anchor sockets on 20" centers (Elite model) or 19" centers (Econoline model). The lower end of the frame is bent to meet the pool wall and fitted with two white rubber bumpers (WRB-100A).



Parallel-Look Ladder

- Tubing: 1.90" OD
- Wall Thickness: .049"
- Stainless Steel: 304 or 316L Marine Grade* (add -MG to part number)
- Treads: LTDF-101-R Plastic (Econoline) or LTDF-103-R Stainless Steel (Elite)
- Bends: 4" Radius
- Options: Powder-coating (rails only)
- Recommended anchors: AS-100B (order separately)
- Recommended escutcheon: EP-100F (order separately)

* Minimum requirement for salt pools is 316L Marine Grade



Part No.	Description	Shipping			
		Weight	Length	Width	Height
PLL-12E-3B	3-step ladder	24 lbs	65"	28"	2"
PLL-12S-3B	3-step ladder	10kg	165cm	71cm	5cm

Mounting bolts are not included but require 3/8" x 4" long bolt.

Frames extend 5.5" from the pool wall. Frame is secured to the pool deck with two anchor sockets on 20" centers (Elite model) or 19" centers (Econoline model). The lower end of the frame is bent to meet the pool wall and fitted with two white rubber bumpers (WRB-100A).

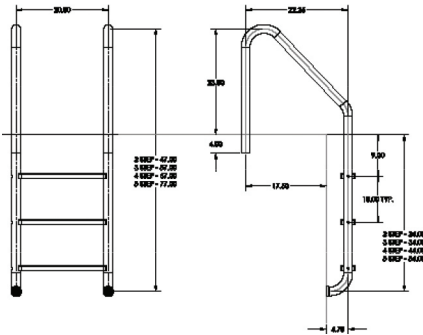
May be available in Powder-Coated finishes. Please reach out to CustomerCare@SRSmith.com to confirm the color and finish availability.



Residential Ladder

- Tubing: 1.90" OD
- Wall Thickness: .049"
- Stainless Steel: 304 or 316L Marine Grade* (add -MG to part number)
- Treads: LTDF-101-R Plastic (Econoline) or LTDF-103-R Stainless Steel (Elite)
- Bends: 4" Radius
- Options: Powder-coating (rails only)
- Recommended anchors: AS-100B (order separately)
- Recommended escutcheon: EP-100F (order separately)

*Minimum requirement for salt pools is 316L Marine Grade



Part No.	Description	Weight	Shipping	
			Length	Width
RLF-24E-2A	2-step ladder, Econoline	21 lbs / 10kg	60" / 152cm	28" / 71cm 2" / 5cm
RLF-24S-2A	2-step ladder, Elite	22 lbs / 10kg	60" / 152cm	
RLF-24E-3B	3-step ladder, Econoline	24 lbs / 11kg	65" / 165cm	
RLF-24S-3B	3-step ladder, Elite	25 lbs / 11kg	65" / 165cm	
RLF-24E-4C	4-step ladder, Econoline	29 lbs / 13kg	82" / 208cm	
RLF-24S-4C	4-step ladder, Elite	30 lbs / 14kg	82" / 208cm	
RLF-24E-5D	5-step ladder, Econoline	32 lbs / 14kg	90" / 229cm	
RLF-24S-5D	5-step ladder, Elite	33 lbs / 15kg	90" / 229cm	

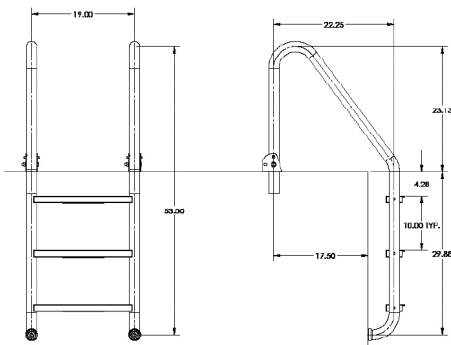
Frames extend 5.5" from the pool wall. Frame is secured to the pool deck with two anchor sockets on 20" centers (Elite model) or 19" centers (Econoline model). The lower end of the frame is bent to meet the pool wall and fitted with two white rubber bumpers (WRB-100A)



Snap-Lok Ladder

- Tubing: 1.90" OD
- Wall Thickness: .049"
- Stainless Steel: 304 or 316L Marine Grade* (add -MG to part number)
- Treads: LTDF-101-R Plastic (Econoline) or LTDF-103-R Stainless Steel (Elite)
- Bends: 4" Radius
- Recommended anchors: AS-100B (order separately)
- Recommended escutcheon: EP-100F (order separately)
- Stainless-steel hinge brackets (60-713) are bolted to ladder frames with stainless-steel bolts and acorn nuts.

*Minimum requirement for salt pools is 316L Marine Grade



Econoline	Description	Weight	Shipping		
			Length	Width	Height
SLF-24E-3B	3-Step Ladder, Econoline	24 lbs / 11 kg	61"	29"	2"
SLF-24S-3B	3-Step Ladder, Elite	25 lbs / 11 kg	155cm	74cm	5cm

Frames extend 5.5" from the pool wall. Frame is secured to the pool deck with two anchor sockets on 20" centers (Elite model) or 19" centers (Econoline model). The lower end of the frame is bent to meet the pool wall and fitted with two white rubber bumpers (WRB-100A). We do not recommend powder-coating or vinyl coating.

May be available in Powder-Coated finishes. Please reach out to CustomerCare@SRSmith.com to confirm the color and finish availability.



Pool Better™

A Fluidra Brand | SRSmith.com | 1.800.822.7933

©2024 Fluidra. All rights reserved. The trademarks and trade names used herein are the property of their respective owners. 98859_SL

