

9" x 9" Square Retrofit "Wave" Anti-Entrapment Suction Outlet Cover

VGB Series

Product Specification Sheet

Features

For single or multiple drain use
(see installation instructions)

Requires a minimum 3" sump depth

Single

Floor: 224 GPM at 1.6 fps

Wall: 224 GPM at 1.6 fps

Floor/Wall: 207 GPM at 1.5 fps

44.2 square inch opening

Trademarked VGB compliance button easily identifies VGB 2008 compliant cover from on deck and underwater

#316 stainless steel screws

Manufactured from superior UV-resistant engineered polymers

Easily and safely retrofits most brands' existing 9" frames* (see chart on pages 164-166 and installation instructions for details and special requirements)

All components (cover, frame, screws) meet or exceed NSF 50/ASME/ANSI A112.19.8a-2008 national standards and ASTM G154 UV testing exposure

15 per case

The AquaStar line of suction outlet covers, compliant with the new Virginia Graeme-Baker Pool and Spa Safety Act (ASME/ANSI A112.19.8a-2008)

NEW specially designed and engineered for ALL 1.0 and 1.5 fps states – great for gravity drain systems as well as direct suction.



Part # RWAV9xxx

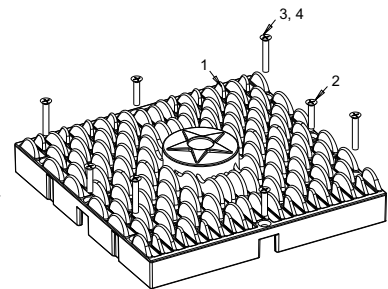
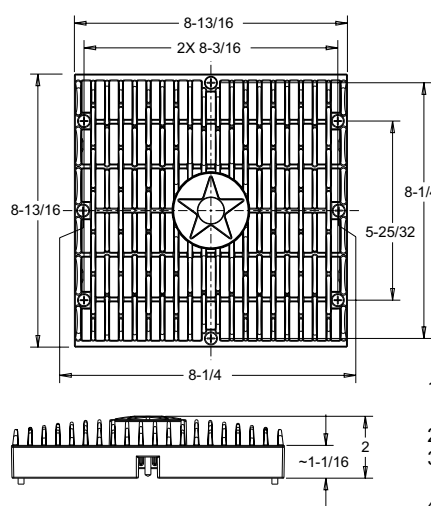
*Fits: Hayward, Waterway, American (Pentair #2 selling), PacFab with 1" existing frames

Part Numbers / Colors

- RWAV9101 White
- RWAV9102 Black
- RWAV9103 Lt. Gray
- RWAV9104 Blue
- RWAV9105 Dk. Gray
- RWAV9106 Bone
- RWAV9107 Taupe
- RWAV9108 Tan

Frame sold separately
p/n RFSFR9xxx

VGB 2008 Compliant



1. 9" x 9" square retrofit "wave" anti-entrapment grate
2. #10 x 1" flat head phillips screw, 316 ss
3. 10-24 x 1 1/4" lg flat head phillips screw, 316 ss
4. #10 x 1 1/2" flat head phillips screw, 316 ss