

# 9" x 9" Square "Wave" Anti-Entrapment Suction Outlet Cover and Frame

## VGB Series

Product Specification Sheet

The AquaStar line of suction outlet covers, compliant with the new Virginia Graeme-Baker Pool and Spa Safety Act (ASME/ANSI A112.19.8a-2008)

### Features

For single or multiple drain use  
(see installation instructions)

Requires a minimum 3" sump depth

Single

Floor: 224 GPM at 1.6 fps

Wall: 224 GPM at 1.6 fps

Floor/Wall: 207 GPM at 1.5 fps

44.2 square inch opening

Trademarked VGB compliance button  
easily identifies VGB 2008 compliant  
cover from on deck and underwater

#316 stainless steel screws

Manufactured from superior  
UV-resistant engineered polymers

Easily and safely retrofits most brands'  
existing 9" frames\* (see chart on pages  
164-166 and installation instructions for  
details and special requirements)

All components (cover, frame, screws)  
meet or exceed NSF 50/ASME/ANSI  
A112.19.8a-2008 national standards and  
ASTM G154 UV testing exposure

12 per case

Specially designed and engineered for  
ALL 1.0 and 1.5 fps states – great for gravity  
drain systems as well as direct suction.



Part # WAV9xxx

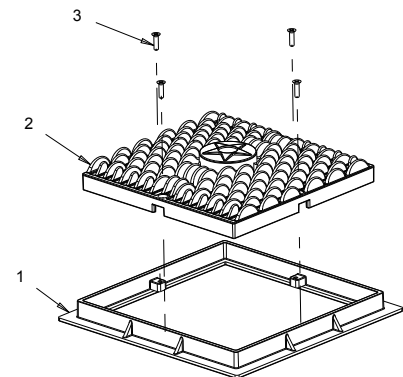
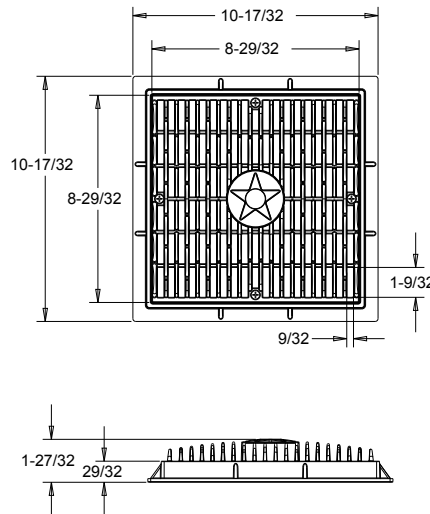
\*Fits: AquaStar (p/n 9xxx, pre-VGB "flat"); Pentair (#1 selling  
with 3/4" deep existing frames and four screw hole pattern)

### Part Numbers / Colors

- ☐ WAV9101 White
- WAV9102 Black
- WAV9103 Lt. Gray
- WAV9104 Blue
- WAV9105 Dk. Gray
- WAV9106 Bone
- WAV9107 Taupe
- WAV9108 Tan

Frame included

VGB 2008 Compliant



1. 9" x 9" flat square drain frame
2. 9" x 9" wave square drain cover
3. #10 flat head phillips screw

## ADDITIONAL PRODUCT CONFIGURATIONS FOR WAV9xxx

### Features: Sump Buckets for WAV9xxx

For single or multiple drain use (see installation instructions)

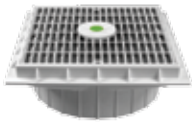
#316 stainless steel screws

Manufactured from superior UV-resistant engineered polymers

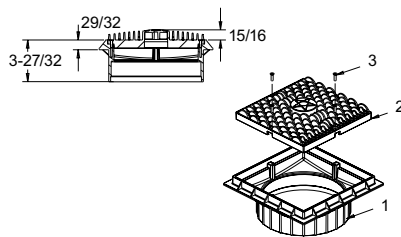
All components (cover, frame, screws) meet or exceed NSF 50/ASME/ANSI A112.19.8a-2008 national standards and ASTM G154 UV testing exposure

**Sold with WAV9xxx, not sold separately**

#### 9" Square "Wave" Suction Outlet with 9" Square Double-Deep Sump



Part #  
WAV9DDxxx  
4 per case

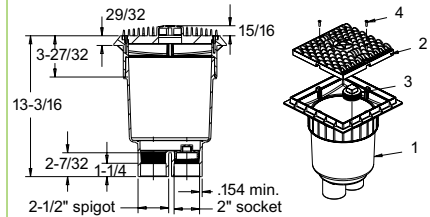


1. 9" square double-deep frame
2. 9" square "wave" suction outlet cover
3. #10 x 3/4" flat head phillips screw, 316 ss, qty 4

#### 9" Square "Wave" Suction Outlet with Dual-Port 2 1/2" Spigot x 2" Socket Deep PVC Sump



Part #  
WAV9DDSBxxx  
2 per case

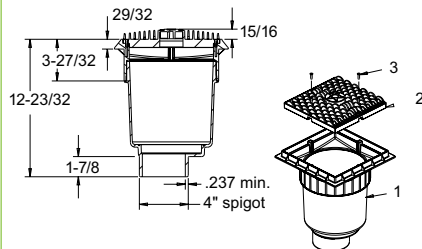


1. Dual-port 2-1/2" spigot x 2" socket deep PVC sump
2. 9" square "wave" suction outlet cover
3. 2" tapered pipe thread plug
4. #10 x 3/4" flat head phillips screw, 316 ss, qty 4

#### 9" Square "Wave" Suction Outlet with 4" Spigot Deep PVC Sump



Part #  
WAV9DDSB4SPxxx  
2 per case

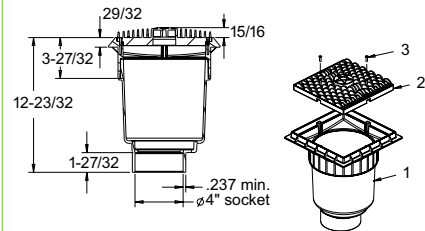


1. 4" spigot deep PVC sump
2. 9" square "wave" suction outlet cover
3. #10 x 3/4" flat head phillips screw, 316 ss, qty 4

#### 9" Square "Wave" Suction Outlet with 4" Socket Deep PVC Sump

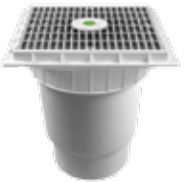


Part #  
WAV9DDSB4SOCxxx  
2 per case

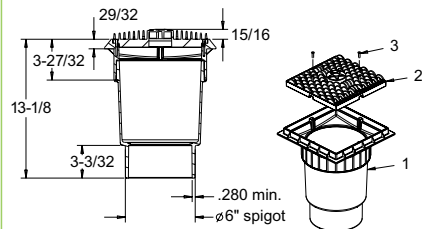


1. 4" socket deep PVC sump
2. 9" square "wave" suction outlet cover
3. #10 x 3/4" flat head phillips screw, 316 ss, qty 4

#### 9" Square "Wave" Suction Outlet with 6" Spigot Deep PVC Sump



Part #  
WAV9DDSB6SPxxx  
2 per case

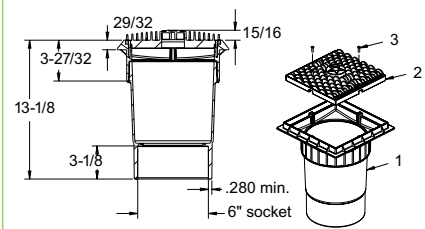


1. 6" spigot deep PVC sump
2. 9" square "wave" suction outlet cover
3. #10 x 3/4" flat head phillips screw, 316 ss, qty 4

#### 9" Square "Wave" Suction Outlet with 6" Socket Deep PVC Sump



Part #  
WAV9DDSB6SOCxxx  
2 per case



1. 6" socket deep PVC sump
2. 9" square "wave" suction outlet cover
3. #10 x 3/4" flat head phillips screw, 316 ss, qty 4