

AUSTRALIAN RETURN FITTING WITH ADJUSTABLE EYEBALL, 1" KNOCK-IN



Compatibility, durability, and performance



FEATURES

- Knocks into 1½" or 1" pipe
- Self-leveling for out-of-square pipes
- Flange camouflages pipe and surface construction variations
- Manufactured from engineered polymer
- UV-resistant polypropylene material
- 500 per case

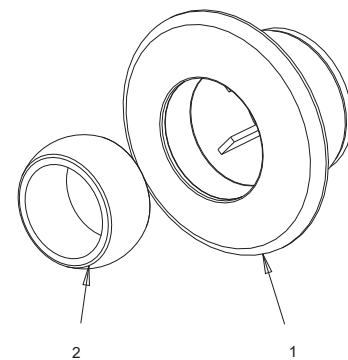
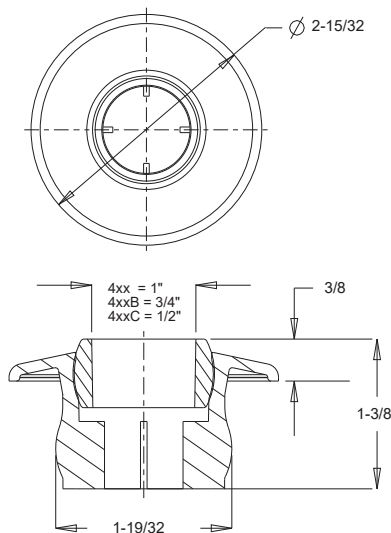


Part # 5xx
(For 1" pipe)

STANDARD COLORS

- 501 – White
- 502 – Black
- 503 – Light Gray
- 505 – Dark Gray
- 508 – Tan

Eyeball orifice size part #s:
1" - 5xx, ¾" - 5xxB, ½" - 5xxC
(i.e. 501B = white ¾" orifice)
Also available in blue (p/n 504)



1. Australian Return Knock-In Body, 1-1/2" Spigot
2. Australian Return Eyeball