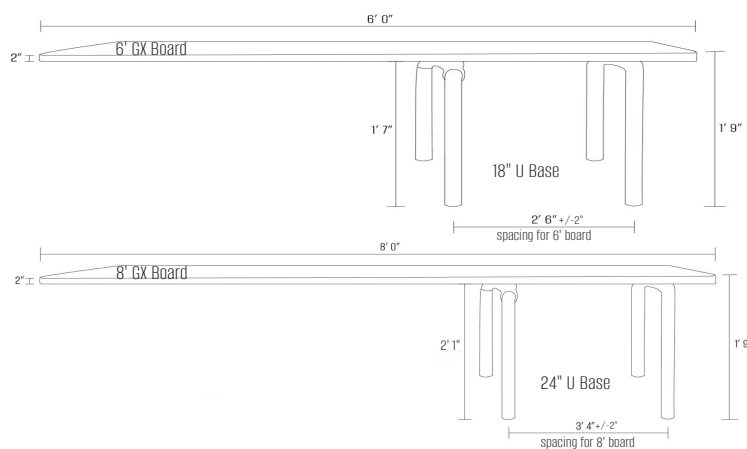
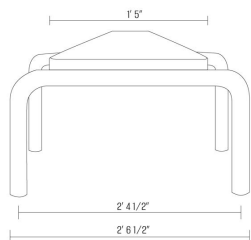


# GX Diving Board with U Base™

- Available in 6' or 8' boards
- UV resistant thermal formed shell
- Heavy duty fiberglass reinforcement
- Laminated solid core
- Salt water friendly
- Board and base sold separately
- Weight Limit: 250 lbs./113 kg.



Sand "-S"



White "-W"



Grey "-G"

Part Numbers	Descriptions
GPP-DB-GX6	6' GX Diving Board
GPP-DB-GX8	8' GX Diving Board
GPP-DB-UB18-SS	U Base 18" Polished Stainless Steel for 6' or 8' GX Board
GPP-DB-UB24-SS	U Base 24" Polished Stainless Steel for 6' or 8' GX Board

To select a color for board, add corresponding color code to the end of the part number above.

