

# INSTALLATION AND OPERATION MANUAL

## Atmospheric Above-Ground Pool & Spa Heater (Chauffe-Piscine)

### Models 106 and 156



#### NOTICE

SCAN WITH QR EQUIPPED SMART DEVICE FOR ONLINE MANUAL. SEE PAGE 30 FOR QR CODE.



### English/French

**▲WARNING:** If the information in these instructions are not followed exactly, a fire or explosion may result causing property damage, personal injury or death.

**FOR YOUR SAFETY:** Do not store or use gasoline or other flammable vapors and liquids or other combustible materials in the vicinity of this or any other appliance. To do so may result in an explosion or fire.

#### WHAT TO DO IF YOU SMELL GAS:

- Do not try to light any appliance.
- Do not touch any electrical switch; do not use any phone in your building.
- Immediately call your gas supplier from a neighbor's phone. Follow the gas supplier's instructions.
- If you cannot reach your gas supplier, call the fire department.

Installation and service must be performed by a qualified installer, service agency or the gas supplier.

**▲AVERTISSEMENT:** Assurez-vous de bien suivre les instructions données dans cette notice pour réduire au minimum le risque d'incendie ou d'explosion ou pour éviter tout dommage matériel, toute blessure ou la mort.

Ne pas entreposer ni utiliser d'essence ou ni d'autres vapeurs ou liquides inflammables à proximité de cet appareil ou de tout autre appareil.

#### CE FAIRE SI VOUS SENTEZ UNE ODEUR DE GAZ:

- Ne pas tenter d'allumer d'appareil.
- Ne touchez à aucun interrupteur; ne pas vous servir des téléphones se trouvant dans la bâtiment.
- Appelez immédiatement votre fournisseur de gaz depuis un voisin. Suivre les instructions du fournisseur.
- Si vous ne pouvez rejoindre le fournisseur, appelez le service des incendies.

L'installation et l'entretien doivent être assurés par un installateur qualifié ou par le fournisseur de gaz.

This manual should be maintained in legible condition and kept adjacent to the heater or in a safe place for future reference.

**Revision 14 reflects the following changes:**

Added "Gas Regulator Best Practices" section. Added "Decal" to gas conversion IPL section.

# TABLE OF CONTENTS

<b>1. WARNINGS</b> .....	<b>4</b>	<b>5. CONTROLS</b> .....	<b>16</b>
Pay Attention to These Terms .....	4	P-106 Control Adjustments .....	16
<b>2. WATER CHEMISTRY</b> .....	<b>5</b>	P-156 Control Adjustments .....	17
Automatic Chlorinators and Chemical Feeders.....	5	P-156 Thermostat Operation.....	17
<b>3. BEFORE INSTALLATION</b> .....	<b>6</b>	Status and Diagnostics .....	19
Safety .....	6	Remote Control Wiring (P-156 only) .....	20
Water Temperature Safety .....	6	Post Start-Up Inspection .....	22
Ratings and Certifications .....	6	<b>6. WIRING DIAGRAMS</b> .....	<b>23</b>
General Information .....	7	<b>7. MAINTENANCE</b> .....	<b>24</b>
Product Receipt.....	7	Service .....	24
<b>4. INSTALLATION</b> .....	<b>7</b>	<b>8. TROUBLESHOOTING</b> .....	<b>27</b>
Installation Codes.....	7	Mechanical .....	27
Clearances .....	8	P-106 Control Logic Flow Chart .....	28
Base Installation.....	8	P-156 Control Logic Flow Chart .....	29
Outdoor Installation .....	10	<b>9. QR CODE</b> .....	<b>30</b>
Indoor Installation.....	10	<b>10. ILLUSTRATED PARTS LIST</b> .....	<b>31</b>
Combustion & Ventilation Air (Indoor Units Only)..	11		
Gas Connections.....	12		
Electrical Connections.....	15		
240 Volt Installation Instructions .....	15		

THIS INSTALLATION MANUAL MAY NOT BE THE LATEST REVISION PRINTED AT THE TIME OF PRODUCT SHIPMENT. VISIT THE RAYPAK WEBSITE TO VERIFY THE MANUAL DELIVERED WITH YOUR RAYPAK UNIT IS THE MOST UP-TO-DATE VERSION.

# 1. WARNINGS

## Pay Attention to These Terms

<b>▲ DANGER</b>	Indicates the presence of immediate hazards which will cause severe personal injury, death or substantial property damage if ignored.
<b>▲ WARNING</b>	Indicates the presence of hazards or unsafe practices which could cause severe personal injury, death or substantial property damage if ignored.
<b>▲ CAUTION</b>	Indicates the presence of hazards or unsafe practices which could cause minor personal injury or product or property damage if ignored.
<b>CAUTION</b>	CAUTION used without the warning alert symbol indicates a potentially hazardous condition which could cause minor personal injury or product or property damage if ignored.
<b>NOTE</b>	Indicates special instructions on installation, operation, or maintenance which are important but not related to personal injury hazards.

**▲ DANGER:** Failure to install the draft hood on indoor installation and properly vent the heater to the outdoors as outlined in the venting section of this manual can result in unsafe operation of the heater. To avoid the risk of fire, explosion, or asphyxiation from carbon monoxide, never operate this heater unless it is properly-vented and has an adequate air supply for proper operation. Be sure to inspect the vent system for proper installation at initial start-up, and at least annually thereafter. Refer to the venting section of this manual for more information regarding vent system inspections.

**▲ WARNING:** To minimize the possibility of improper operation, serious personal injury, fire, or damage to the heater:

- Always keep the area around the heater free of combustible materials, gasoline, and other flammable liquids and vapors.
- Heater should never be covered or have any blockage to the flow of fresh air to the heater.

**▲ WARNING:** Improper installation, adjustment, alteration, service, or maintenance can cause property damage, personal injury or loss of life. Refer to the owner's operating instructions provided in this manual. Installation and service must be performed by a qualified installer, service agency, or the gas supplier.

**▲ WARNING:** Gasoline, as well as other flammable materials and liquids (adhesives, solvents, etc.), and the vapors they produce, are extremely dangerous. Do not handle, use, or store gasoline or other flammable or combustible materials in the vicinity of a heater.

**▲ WARNING:** Both natural gas and propane have an odorant added to aid in detecting a gas leak. Some people may not physically be able to smell or recognize this odorant. If you are unsure or unfamiliar with the smell of natural gas or propane, ask your local gas supplier. Other conditions, such as "odorant fade," which causes the odorant to diminish in intensity, can also hide, camouflage, or otherwise make detecting a gas leak by smell more difficult.

**▲ WARNING:** UL-recognized fuel gas detectors are recommended in all enclosed propane and natural gas applications wherein there is a potential for an explosive mixture of fuel gas to accumulate and their installation should be in accordance with the detector manufacturer's recommendations and/or local laws, rules, regulations, or customs.

**▲ WARNING:** Do not install within 3 feet (0.9 m) of a heat pump or an outdoor condensing unit. Strong air intake from this type of equipment can disturb the combustion process and cause damage or personal injury.

**▲ WARNING:** The heater shall not be located in an area where water sprinklers, or other devices, may cause water to spray through the cabinet louvers and into the heater. This could cause internal rusting or damage electrical components. Such damage is not covered under warranty.

## 2. WATER CHEMISTRY

**NOTE: Corrosive water causes damage which is not covered under warranty.**

Chemical imbalance can cause severe damage to your heater and associated equipment. Maintain your water chemistry according to **Table A**. If the mineral content and dissolved solids in the water become too high, scale forms inside the heat exchanger tubes, reducing heater efficiency and damaging the heater. If the pH drops below 7.2, this will cause corrosion of the heat exchanger and severely damage the heater. **Heat exchanger damage resulting from chemical imbalance is not covered by the warranty.**

For your health and the protection of your pool equipment, it is essential that your water be chemically balanced. The following levels must be used as a guide for balanced water.

**CAUTION: Free chlorine must not exceed 5 ppm which can damage the heater and is not covered under warranty.**

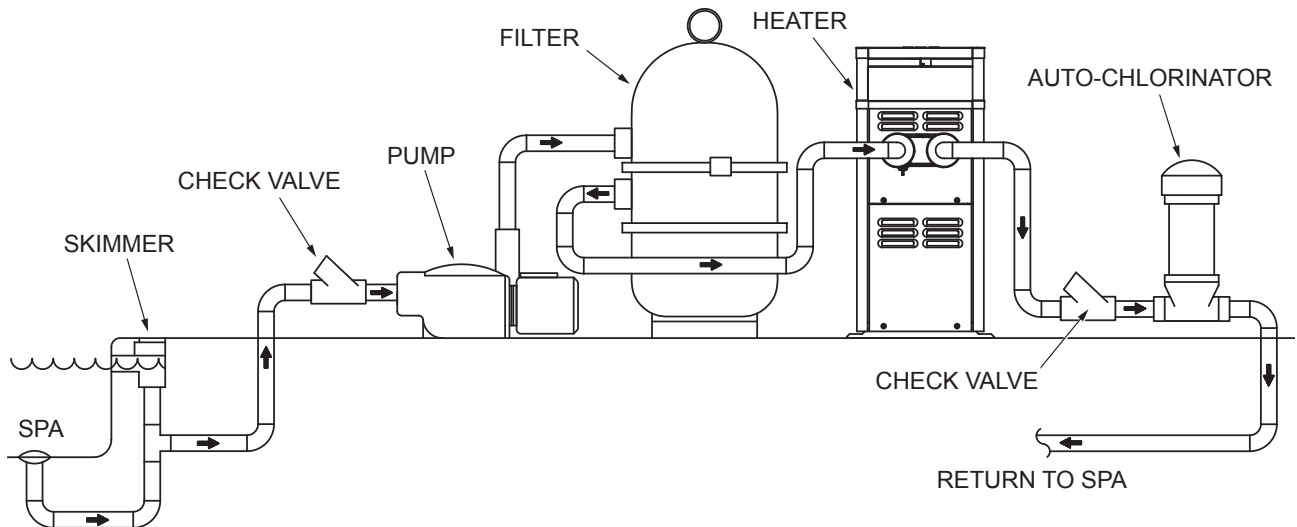
- Occasional chemical shock dosing of the pool or spa water should not damage the heater providing the water is balanced.

Recommended Level(s)	Fiberglass Pools	Fiberglass Spas	Other Pool and Spa Types
Water Temperature	68-88°F (20-31°C)	89-104°F (31-40°C)	68-104°F (20-40°C)
pH	7.3-7.4	7.3-7.4	7.6-7.8
Total Alkalinity (ppm)	120-150	120-150	80-120
Calcium Hardness (ppm)	200-300	150-200	200-400
Salt (ppm)	4500 Maximum	4500 Maximum	4500 Maximum
Free Chlorine (ppm)*	2-3	2-3	2-3
Total Dissolved Solids (ppm)	3000 Maximum**	3000 Maximum**	3000 Maximum**

\*Free Chlorine MUST NOT EXCEED 5 ppm!

\*\*In saltwater chlorinated pools, the total TDS can be as high as 6000 ppm.

**Table A. Pool Water Chemistry**



**Figure 1. Spa Chlorinator Setup**

- Automatic chemical dosing devices and salt chlorinators are usually more efficient in heated water, unless controlled, they can lead to excessive chlorine level which can damage your heater.
- Further advice should be obtained from your pool or spa builder, accredited pool shop, or chemical supplier for the correct levels for your water.

### Automatic Chlorinators and Chemical Feeders

All chemicals must be introduced and completely diluted into the pool or spa water before being circulated through the heater. Do not place sanitizing chemicals in the skimmer. High chemical concentrations will result when the pump is not running (e.g. overnight).

Chlorinators must feed downstream of the heater and have an anti-siphoning device to prevent chemical backup into the heater when the pump is shut off. See **Figure 1**.

**NOTE: High chemical concentrates from feeders and chlorinators that are out of adjustment will cause rapid corrosion to the heat exchanger. Such damage is not covered under the warranty.**

### 3. BEFORE INSTALLATION

#### Safety

This appliance is to be installed and operated by trained personnel in accordance with this Installation and Operation Manual. Be sure to read and understand the entire Installation and Operation Manual before attempting to install or operate this appliance. Failure to follow the warnings listed at the beginning of this manual could result in a fire or explosion, causing property damage, bodily injury, or death.

Should you have any problems understanding the warnings and instructions in this manual, STOP, and get help from a qualified installer, service technician, or the gas supplier.

#### Water Temperature Safety

Elevated water temperature can be hazardous. The U.S. Consumer Product Safety Commission has these guidelines:

1. Spa water temperatures should never exceed 104°F (40°C). A temperature of 100°F (38°C) is considered safe for a healthy adult. Special caution is suggested for young children.
2. Drinking of alcoholic beverages before or during spa or hot tub use may cause drowsiness which could lead to unconsciousness and subsequently result in drowning.
3. Pregnant Women Beware! Soaking in water over 102°F (39°C) may cause fetal damage during the first three months of pregnancy resulting in the birth of a brain-damaged or deformed child. Pregnant women should stick to the 100°F (38°C) maximum rule.
4. Before entering the spa or hot tub, users should check the water temperature with an accurate thermometer; spa or hot tub thermostats may err in regulating water temperatures by as much as 4°F (2°C).
5. Persons with a medical history of heart disease, circulatory problems, diabetes, or blood pressure problems should obtain a physician's advice before using spas or hot tubs.
6. Persons taking medications which induce drowsiness, such as tranquilizers, antihistamines, anticoagulants, or recreational drugs should not use spas or hot tubs.

**⚠️ AVERTISSEMENT:** La U.S. Consumer Product Safety Commission indique que des températures de l'eau élevées doivent être dangereuses. Voir la notice d'installation et de fonctionnement pour le réglage de la température. Suivre les instructions pour une installation appropriée.

### Ratings and Certifications

This pool & spa heater (chauffe-piscine) is design-certified and tested under the latest requirements of ANSI Z21.56 / CSA 4.7 Standard for Gas-Fired Pool Heaters (Chauffe-Piscines). The heater can be used either indoors or outdoors. (Installer à l'intérieur ou à l'extérieur.) If necessary, the top of the heater can be changed after installation to accommodate indoors or outdoors.

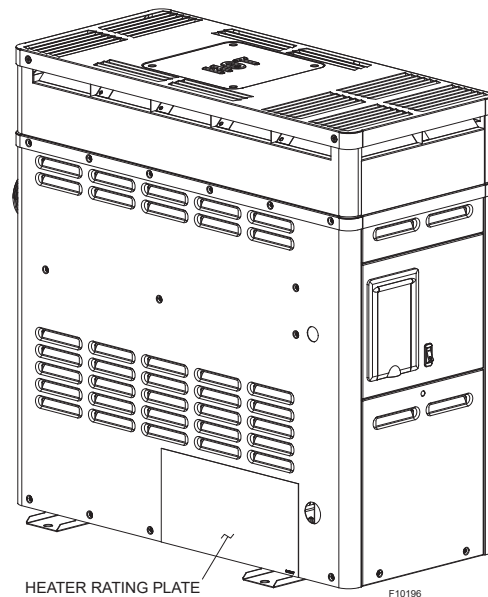
**⚠️ WARNING:** Use of any parts not manufactured and/or approved by the manufacturer may cause non-warrantable damage.

#### Ambient Temperature Rating of Components

- 106 Heater -40°F to +175°F (-40°C to 79°C)
- 156 Heater -32°F to +175°F (-35°C to 79°C)

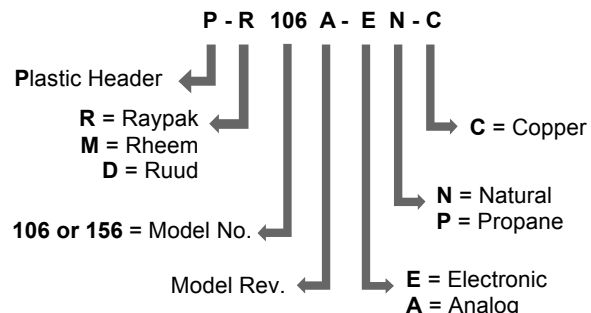
#### Model Identification

The model identification number and heater serial number are found on the heater rating plate. See **Figure 2**.



**Figure 2. Location of Heater Rating Plate**

The model identification number will be similar to the example shown in **Figure 3**.



**Figure 3. Model Identification Number**

## General Information

Model	Input BTU/hr. (KW)	Gas Conn. (NPT)	Water Conn. (NPT)	Shipping Weight lbs. (kg)	
				Std. Heater w/ Stackless Top	Drafthood Assembly
106	105,000 (30.75)	1/2"	1-1/2" or 2"	85 (38.6)	14 (6.35)
156	150,000 (43.93)			100 (45.4)	

Table B. Basic Product Data

## Product Receipt

On receipt of the heater it is suggested that visual checks are made for external damage to the shipping carton. If the carton is damaged, make a note to that effect on the Bill of Lading when signing for the shipment. Remove the heater from the shipping packaging. Report any damage to the carrier immediately.

These items are shipped inside a bag in the carton with the heater:

1. 2" CPVC union with "O" rings (2)
2. Plastic pipe finish flange for gas line
3. Bonding lug with mounting screw
4. Installation and Operation Manual

On occasion, items are shipped loose. Be sure that the correct number of packages are received, as indicated on the Bill of Lading.

Claims for shortages and damages must be filed with the carrier by consignee. Authorization to return goods must be received from the factory prior to shipping. Goods returned to the factory without an authorized Returned Goods Receipt number will not be accepted. All returned goods are subject to a restocking charge.

When ordering parts, specify the model and serial number of the heater. When ordering under warranty conditions, specify the date of installation. Records of the installation must be provided, when requested, to substantiate a claim.

Debits for defective replacement parts will not be accepted and will only be replaced in kind per the manufacturer's standard warranties.

## 4. INSTALLATION

**IMPORTANT NOTICE:** These instructions are intended only for the use by qualified personnel, specifically trained and experienced in the installation of this type of heating equipment and related system components. Installation and service personnel may be required by some states to be licensed. If your state is such, be sure your contractor bears the appropriate license. Persons not qualified shall not attempt to fix this equipment nor attempt repairs according to these instructions.

**⚠ WARNING:** This unit contains refractory ceramic fiber (RCF) insulation in the combustion chamber. RCF, as manufactured, does not contain respirable crystalline silica. However, following sustained exposure to very high temperatures (>2192F), the RCF can transform into crystalline silica (cristabolite). The International Agency for Research on Cancer (IARC) has classified the inhalation of crystalline silica (cristabolite) as carcinogenic to humans.

When removing the burners or heat exchangers, take precautions to avoid creating airborne dust and avoid inhaling airborne fibers. When cleaning spills, use wet sweeping or High Efficiency Particulate Air (HEPA) filtered vacuum to minimize airborne dust. Use feasible engineering controls such as local exhaust ventilation or dust collecting systems to minimize airborne dust. Wear appropriate personal protective equipment including gloves, safety glasses with side shields, and appropriate NIOSH certified respiratory protection, to avoid inhalation of airborne dust and airborne fiber particles.

**⚠ WARNING:** Improper installation, adjustment, alteration, service or maintenance may damage the equipment, create a hazard resulting in asphyxiation, explosion or fire, and will void the warranty.

## Installation Codes

Installations must be in accordance with local, state, provincial, and national codes, laws, regulations and ordinances. In the absence of local codes, installations must be in accordance with the latest editions of the:

- National Fuel Gas Code, ANSI Z223.1/NFPA 54
- National Electrical Code, ANSI/NFPA 70
- For Canada only: CAN/CSA-B149 Installation Code (B149) and CSA C22.1 C.E.C. Part 1 and Part 2

**RECOMMENDATION:** For regions with snow, Raypak recommends installing these units indoor. If outdoor installation is required, the unit shall be installed on a riser (Raypak Kit No: 019279F).

## Clearances

**⚠️ AVERTISSEMENT:** Cet appareil doit être installé conformément au National Fuel gas Code ANSI Z223.1, et aux exigences de l'autorité compétente.

**NOTE:** The heater should not be located in an area where possible water leakage will result in damage to the area adjacent to the heater or to the structure. When such locations cannot be avoided, it is recommended that a suitable drain pan, with adequate drainage, be installed under the heater. The pan must not restrict combustion air flow.

Heater Side	Outdoor Installations in. (mm)	Indoor Installations in. (mm)
Top*	Unobstructed	30 (762)
Front	24 (610)	Alcove
Vent		6 (152)
Back	12 (305)	12 (305)
Right-Side	6 (152)	6" (152)
Left-Side	6 (152)	6" (152)

\*Clearance from top of vent terminal.

**Table C. Required Minimum Clearances from Combustible Surfaces**

*Dégagements minimaux à assurer entre les parois de l'appareil et les constructions combustibles: 6po (152 mm) (côtés), 12po (305 mm) (arrière) et 30po (762 mm) (dessus).*

When installed according to the listed minimum clearances from combustible construction, the pool heater can be serviced without removing permanent construction around the heater.

**However, for ease of servicing, we recommend a clearance of at least 18" (457 mm) on the rear.** This will enable the heater to be serviced in its installed location, that is, without movement or removal of the heater.

Minimum clearance from draffhood to combustible construction 6" (152 mm) from the vent.

*Dégagement minimal de 6 po (152 mm) requis entre le coupe-tirage et une construction combustible. 2 po du conduit de raccordement.*

Clearances less than recommended may require removal of the heater to service either the heat exchanger or the burner tray. In either case, the heater must be installed in a manner that will enable the heater to be serviced without removing any structure around the heater.

It is possible to reduce the clearances to combustible surfaces by protecting these surfaces as shown in table 10.2.3 of the National Fuel Code. See **Table D**.

Description	Location	Distance in. (mm)
a. 3-1/2" (89 mm) thick masonry walls without ventilated air space	Back	9 (229)
	Right	9 (229)
	Left	9 (229)
	Vent	5 (127)
	Indoor Top	39 (991)
	Outdoor Top	Unobstructed
b. 1/2" (13 mm) insulation board over 1" (25 mm) glass fiber or mineral wool batts	Back	6 (152)
	Right	6 (152)
	Left	6 (152)
	Vent	3 (76)
	Indoor Top	30 (762)
	Outdoor Top	Unobstructed
c. 0.024 sheet metal over 1" (25 mm) glass fiber or mineral wool batts reinforced with wire on rear face with ventilated air space	Back	4 (102)
	Right	4 (102)
	Left	4 (102)
	Vent	3 (76)
	Indoor Top	24 (610)
	Outdoor Top	Unobstructed
d. 3-1/2" (89 mm) thick masonry wall with ventilated air space	Back	6 (152)
	Right	6 (152)
	Left	6 (152)
	Vent	6 (152)
	Indoor Top	39 (991)
	Outdoor Top	Unobstructed
e. 0.024 sheet metal with ventilated air space	Back	4 (102)
	Right	4 (102)
	Left	4 (102)
	Vent	2 (51)
	Indoor Top	24 (610)
	Outdoor Top	Unobstructed
f. 1/2" (13 mm) thick insulation board with ventilated air space	Back	4 (102)
	Right	4 (102)
	Left	4 (102)
	Vent	3 (76)
	Indoor Top	24 (610)
	Outdoor Top	Unobstructed
g. 0.024 sheet metal with ventilated air space over 0.024 sheet metal with ventilated air space.	Back	4 (102)
	Right	4 (102)
	Left	4 (102)
	Vent	3 (76)
	Indoor Top	24 (610)
	Outdoor Top	Unobstructed
h. 1" (25 mm) glass fiber or mineral wool batts sandwiched between two sheets 0.024 sheet metal with ventilated air space	Back	4 (102)
	Right	4 (102)
	Left	4 (102)
	Vent	3 (76)
	Indoor Top	24 (610)
	Outdoor Top	Unobstructed

Derived from National Fuel Gas Code, Table 10.2.3

**Table D. Reduction of Clearances to Protected Surfaces**

**FLOORING:** This heater can be installed on combustible flooring.

## Base Installation

**Heater must be mounted on a level base**, such as cementable slab or cement blocks. Heaters may not be installed on carpeting.

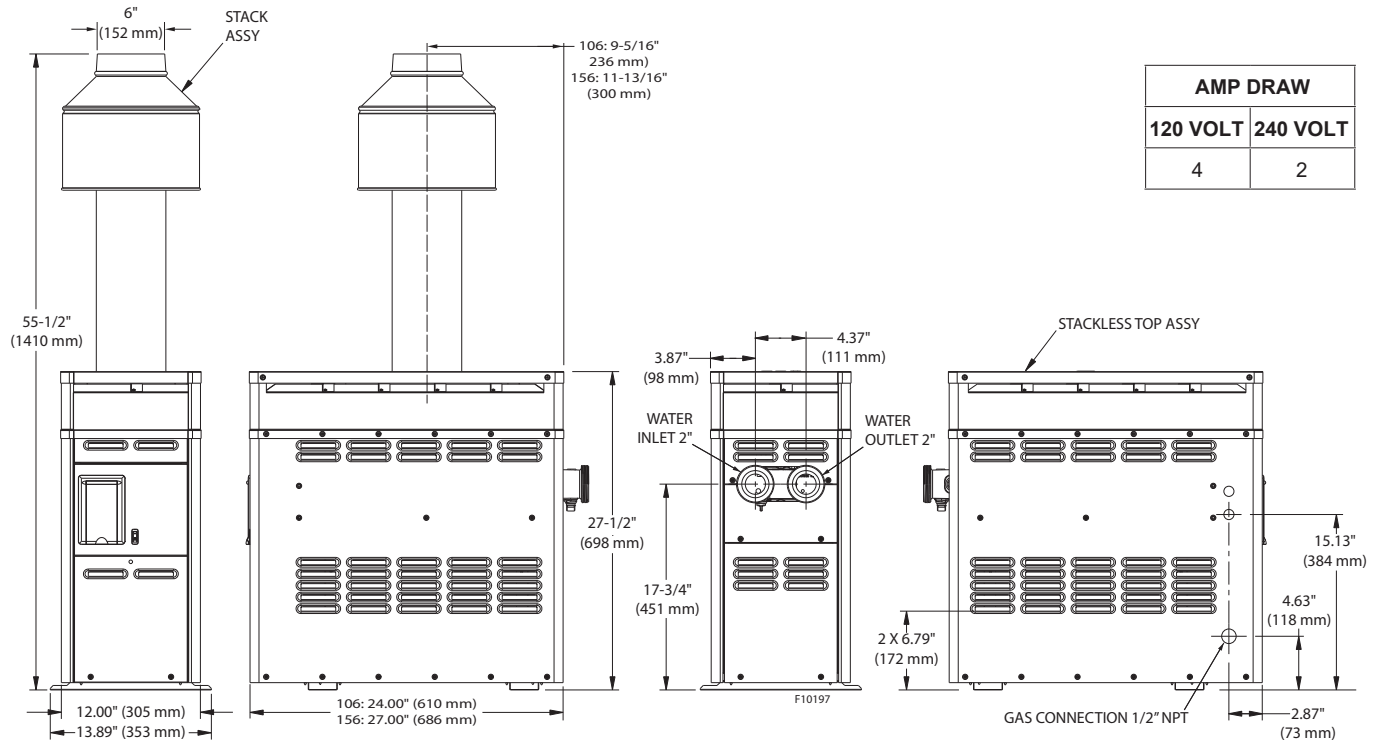


Figure 4. Heater Dimensions

INSTRUCTIONS FOR THE STATE OF FLORIDA  
AND FOR AREAS OF TEXAS DESIGNATED BY  
THE TEXAS DEPARTMENT OF INSURANCE

**TIE-DOWN METHOD**

ULTIMATE WIND SPEED = 170 MPH, 3 SECOND GUST  
NOMINAL WIND SPEED = 132 MPH  
EXPOSURE = D

**GAS HEATER MODELS 106 & 156**

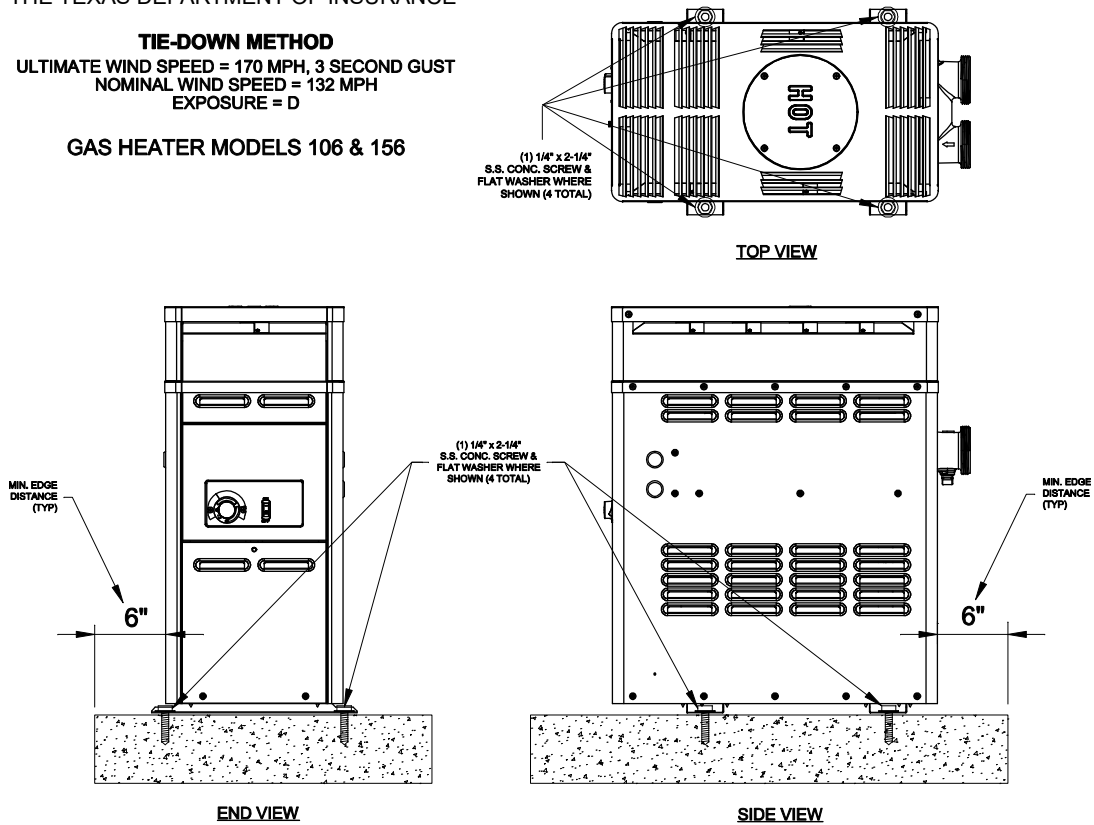


Figure 5. Florida Building Code Tie-Down Method

This heater must be installed at least 5' (1.52 m) from the inside wall of a pool unless separated from the pool by a solid fence, wall or other permanent solid barrier.

*Ce chauffe-piscine doit être installé à au moins 5 pieds (1.52 m) de la paroi interne de la piscine à moins d'être isolé de la piscine par un clôture, un mur ou autre barrière permanente.*

## Outdoor Installation

**⚠ WARNING:** The heater should not be located in an area where water sprinklers or other devices may cause water to spray through the cabinet louvers and into the heater. This could cause internal rusting or damage electrical components, and will not be covered under warranty.

**⚠ WARNING:** Do not install within 3' (0.9 m) of a heat pump or an outdoor condensing unit. Strong air intake from this type of equipment can disturb the combustion process and cause damage or personal injury.

**NOTE:** This heater is design-certified for outdoor installation when equipped with the approved top(s) for outdoor use.

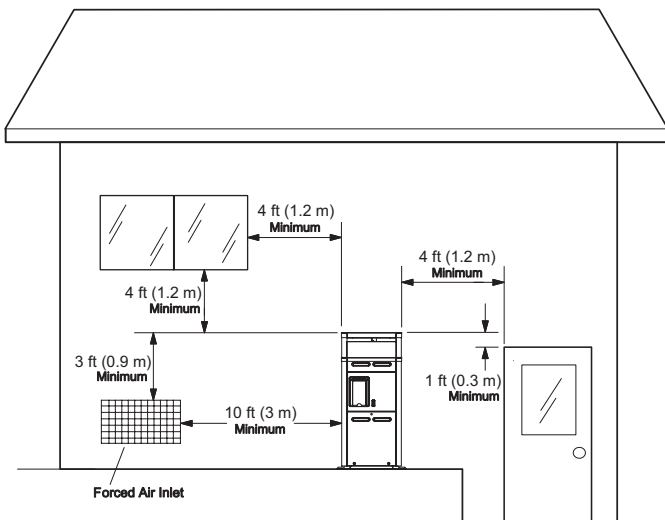


Figure 6. Outdoor Installation Clearances

## Heater with Outdoor Stackless Top

Heaters must not be installed under an overhang of less than 3' (0.9m) from the top of the heater. Three sides must be open in the area under the overhang. Roof water drainage must be diverted away from heaters installed under overhangs with the use of gutters.

*Ne pas installer ce chauffe-piscine sous une saillie mesurant moins de 3 pi de hauteur. La partie sous la saillie doit être ouverte sur 3 côtés.*

- For U.S. installations, the point from where the flue products exit the heater must be a minimum of 4' (1.2 m) below, 4' (1.2 m) horizontally from, or 1'

(0.3 m) above any door, window or gravity inlet into any building. The top surface of the heater shall be at least 3' (0.9 m) above any forced air inlet, or intake ducts located within 10' (3 m) horizontally. See **Figure 6**.

- For installations in Canada, pool heaters shall not be installed with the top of the vent assembly within 10' (3 m) below, or to either side, of any opening into the building. Refer to the latest revisions of CAN/CSA-B149. The heater must be raised 7" (0.2 m) above the surface which could support snow, ice or debris. Refer to the latest revisions of CAN1-2.21-M85.

## Outdoor Stack

**NOTE:** The outdoor stack (sales order option D-11) is optional equipment and does not come standard with the heater. Use part number 014718 for the 106 and 014719 for the 156.

### High Wind Conditions (Outdoor Units Only)

In areas where high winds are frequent, it may be necessary to locate the heater a minimum of 3' (0.9 m) from high vertical walls, or install a wind-break so the heater is not in direct wind current.

In areas of daily high winds, it may be necessary to replace the outdoor stackless top with a stack adapter in combination with a wind-resistant/weather-proof outdoor stack. See **Figure 7**.

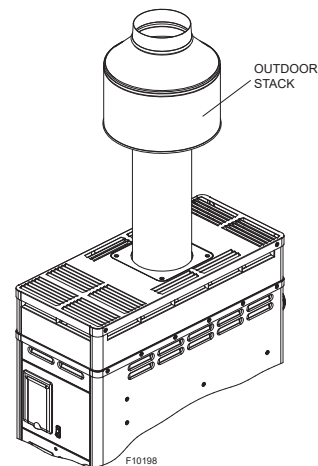


Figure 7. Outdoor Stack

The outdoor stack serves the same function as the low profile stackless top and should be installed in accordance with the same clearance requirements. Follow the installation instructions provided with the Outdoor Stack Kit for installation.

## Indoor Installation

The heater is design-certified for indoor installation when equipped with the approved draft hood.

Locate heater as close as is practical to a chimney or gas vent. Heater must always be vented to the outside, per the National Fuel Gas Code and applicable local codes. See Vent Piping section for details. Minimum allowable space is shown on the rating plate. Follow the installation instructions provided with the Indoor Draft Hood Kit for installation.

**NOTE:** For Canada, indoor installation is restricted to an enclosure that is not occupied and does not directly communicate with an occupied area. Refer to the latest edition of CAN/CSA-B149 for specific requirements.

**⚠ WARNING:** Indoor heaters require a draft hood that must be connected to a vent pipe and properly vented to the outside. Failure to follow this procedure can cause fire or fatal carbon monoxide poisoning.

This draft hood must be installed without alteration. see rating plate.

*Ce coupe-tirage doit être installé sans modification. Voir la plaque signalétique.*

## Combustion & Ventilation Air (Indoor Units Only)

The heater must have both combustion and ventilation air. Minimum requirements for net free air supply openings are one opening that is 12" (305 mm) from the ceiling for ventilation, and one opening that is 12" (305 mm) from the floor for combustion air as outlined in the latest edition of the National Fuel Gas Code, ANSI Z223.1 (Canada-CAN/CSA-B149) and any local codes that may have jurisdiction.

**⚠ CAUTION:** Combustion air must not be contaminated by corrosive chemical fumes which can damage the heater and void the warranty. Do not store chlorine, bromine, baquasil or acid in the same room as the heater.

All air from inside the building: each opening shall have a minimum net free area as noted in **Table E**.

Model	Area
106	105 in <sup>2</sup> (677 cm <sup>2</sup> )
156	150 in <sup>2</sup> (968 cm <sup>2</sup> )

**Table E. Minimum Air Net Free Area - Interior Source**

All air from outdoors: when air is supplied directly from outside the building, each opening shall have a minimum net free area as noted in **Table F**.

Model	Unrestricted Opening	Typical Screened or Louvered Opening	Typical Screened and Louvered Opening
106	27 in <sup>2</sup> (174 cm <sup>2</sup> )	41 in <sup>2</sup> (265 cm <sup>2</sup> )	54 in <sup>2</sup> (348 cm <sup>2</sup> )
156	38 in <sup>2</sup> (245 cm <sup>2</sup> )	57 in <sup>2</sup> (368 cm <sup>2</sup> )	76 in <sup>2</sup> (490 cm <sup>2</sup> )

**Table F. Minimum Air Net Free Area - Exterior Source**

## Vent Piping

### Appliance Categories

Heaters are divided into four categories based on the pressure produced in the exhaust and the likelihood of condensate production in the vent.

**Category I** – A heater which operates with a non-positive vent static pressure and with a vent gas temperature that avoids excessive condensate production in the vent.

**Category II** – A heater which operates with a non-positive vent static pressure and with a vent gas temperature that may cause excessive condensate production in the vent.

**Category III** – A heater which operates with a positive vent pressure and with a vent gas temperature that avoids excessive condensate production in the vent.

**Category IV** – A heater which operates with a positive vent pressure and with a vent gas temperature that may cause excessive condensate production in the vent.

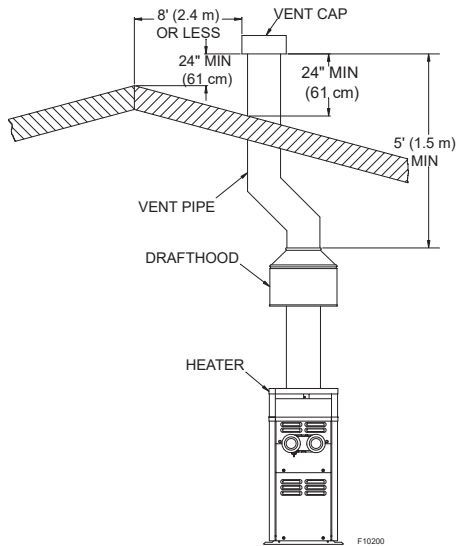
These heaters operate as venting category I atmospheric appliances.

Vent piping the same size as the draft hood outlet is recommended; however, when the total vent height is at least 10 ft (3 m) (draft hood relief opening to vent terminal), the vent pipe size may be reduced by no more than one size as specified in the National Fuel Gas Code, ANSI Z223.1 (Canada - CAN/CSA-B149). As much as possible, avoid long horizontal runs of vent pipe and too many elbows.

If installation requires horizontal runs, the vent pipe must have a minimum of 1/4" per ft rise and should be supported at not more than five foot intervals. Plumbers tape, criss-crossed, will serve to space both horizontal and vertical piping. Gas vents supported only by the flashing and extending above the roof more than 5' (1.5 m) should be securely guyed or braced to withstand snow and wind loads. We recommend use of insulated vent pipe spacers through the roof and walls.

For protection against rain or blockage by snow, the vent pipe must terminate with a vent cap which complies with local codes or, in the absence of such codes, the latest edition of the National Fuel Gas Code, ANSI Z223.1 (Canada - CAN/CSA-B149).

The discharge opening must be a minimum of 2' (0.6 m) vertically from the roof surface and at least 2' (0.6 m) higher than any part of the building within 8' (2.4 m) vent stack shall be at least 5' (1.5 m) in vertical height above the draft hood outlet. The vent cap location shall have a minimum clearance of 4' (1.2 m) horizontally from, and in no case below, unless a 4' (1.2 m) horizontal distance is maintained, from electric meters, gas meters, regulators and relief equipment.



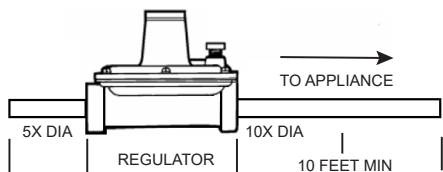
**Figure 8. Vent Piping Requirements**

The weight of the vent stack or chimney must not rest on heater draft hood. Support must be provided in compliance with applicable codes. The heater top and draft hood must be readily removable for maintenance and inspection. Vent pipe should be adequately supported to maintain proper clearances from combustible construction.

Type "B" double-wall or equivalent vent pipe is recommended. However, single-wall metal vent pipe may be used as specified in the latest edition of the National Flue Gas Code ANSI Z223.1 (Canada - CAN/CSA-B149). Maintain draft of 0.01 to 0.08" WC negative pressure.

### Gas Regulator Best Practices

From the gas pressure regulator it is recommended to have no less than 10 pipe diameters of straight smooth pipe downstream of the regulator discharge and to have no less than 10 linear feet (not including fittings) between the regulator and the inlet to the appliance for proper operation. See **Figure 9**.



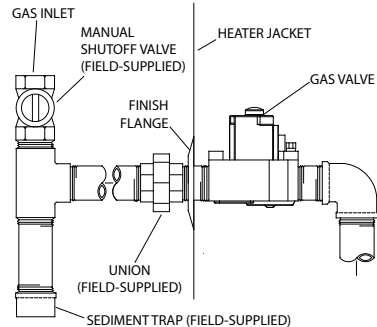
**Figure 9. Gas Regulator Distances**

### Gas Connections

Gas piping must have a sediment trap ahead of the heater gas controls, and a manual shutoff valve located outside the heater jacket. Use the pipe finish flange to seal between the gas line and the heater jacket. See **Figure 9**. All gas piping should be tested after installation in accordance with local codes.

**CAUTION:** Do not use 5, 10 or 20 gallon (19.38 to 76 Liter) propane tanks, like those used with consumer barbecues, to supply gas to this heater.

**CAUTION:** The heater and its manual shutoff valve must be disconnected from the gas supply during any pressure testing of that system at test pressures in excess of 1/2 psig (3.5 kPa). The heater and its gas connections shall be leak tested before placing the appliance in operation. Use soapy water for leak test. Do not use open flame.



**Figure 10. Gas Line Sediment Trap**

**CAUTION:** Only sealant tape or a pipe compound rated for use with natural and propane gases is recommended. Apply sparingly only on male pipe ends, leaving the two end threads bare.

### Gas Pressure Regulator

The gas pressure regulator is preset at 4" W.C. (1.0kPa) for natural gas and 10" W.C. (2.5kPa) for propane gas.

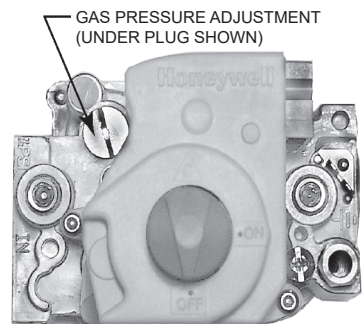
If adjustment is needed, remove plug and turn adjustment screw clockwise to increase pressure or counter-clockwise to decrease pressure.

Gas Pressure*	Natural Gas	Propane Gas
Max. Inlet (Static)	10.5" WC (2.6 kPa)	13" WC (3.2 kPa)
Min. Inlet (Dynamic)	5" WC (1.2 kPa)	11" WC (2.7 kPa)
Manifold Gas (Dynamic)	4" WC (1.0 kPa)	10" WC (2.5 kPa)

\*Static means without heater operating. Dynamic refers to heater operating.

**Table G. Static and Dynamic Gas Pressure**

### Gas Pressure Adjustment Location



**Figure 11. Honeywell Gas Valve**

Model	Tubing	Input BTU/hr (kW)	Maximum Equivalent Pipe Length ft (m)					
			1/2"		3/4"		1"	
			NAT	PRO	NAT	PRO	NAT	PRO
106	Cu	105,000 (30.8)	25 (7.6)	71 (21.6)	98 (29.8)	360 (109.7)	316 (96.3)	933 (284.3)
156	Cu	150,000 (43.9)	14 (4.2)	34 (10.3)	50 (15.2)	183 (55.7)	163 (49.6)	530 (161.5)

Table capacities are based upon use of sch 40 black iron pipe. For capacities using other materials, consult local code.

\* Natural Gas 1000 BTU/FT<sup>3</sup> 0.60 Specific Gravity @ 0.5" WC Pressure Drop (Gaz Naturel 3154.5 W/m<sup>3</sup> 0.60 Densite @ 0.124 kPa Pressure Drop)

\* Propane 2500 BTU/FT<sup>3</sup> 1.50 Specific Gravity @ 0.5" WC Pressure Drop (Gaz Propane 7886.3 W/m<sup>3</sup> 1.50 Densite @ 0.124 kPa Pressure Drop)

Table I. Gas Supply Piping

## Electronic Ignition Gas Valves

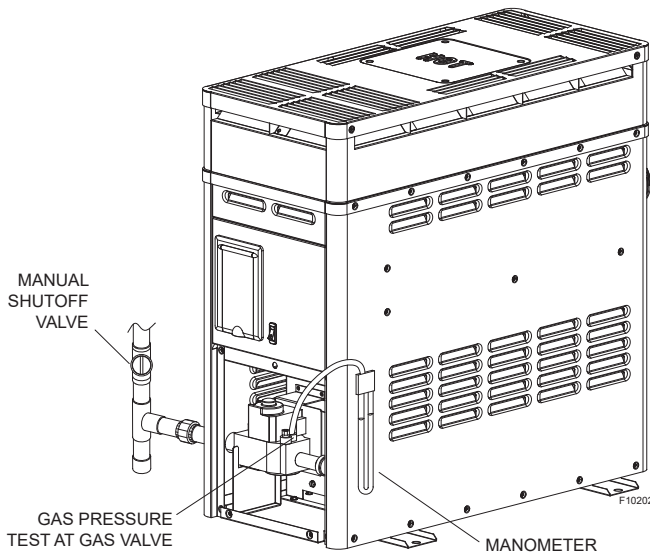


Figure 12. Location of Gas Pressure Adjustment

## Water Connections

The heater requires water flow and positive pressure to fire and operate properly. It must therefore be installed downstream of the discharge side of the filter pump. A typical installation is plumbed as follows:

1. The inlet side of the filter is plumbed directly to the discharge side of the filter pump;
2. The outlet side of the filter is then plumbed to the inlet of the heater; and
3. The outlet of the heater is plumbed to the return line to the pool or spa. The pump, filter and heater are thus plumbed in series.

Plumbing from the heater back to the pool or spa must not have any valves or restriction that could prevent flow when the pump is operating.

Heater must be located so that any water leaks will not damage the structure of adjacent area. PVC pipe may be glued directly into supplied CPVC header unions.

## Flow Rates

Model	Minimum, gpm (lpm)	Maximum, gpm (lpm)
106/156	20 (75.7)	70 GPM (265.0)

Table H. Water Flow Rates

When the flow rates exceed the maximum 70 GPM (265 lpm), an external auxiliary bypass valve is required. See section "External Auxiliary Bypass Valve" on page 14 for details.

## Polymer Headers

Before attaching the supplied 2" CPVC unions to the In/Out header, make sure the O-rings are properly seated in the grooves. Use AquaLube or equivalent non-petroleum-based lubricant on the O-ring. Hand tighten the unions. Glue PVC or CPVC piping directly to the unions.

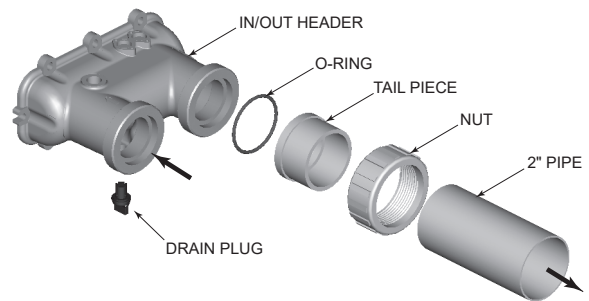


Figure 13. In/Out Header for 2" Installation

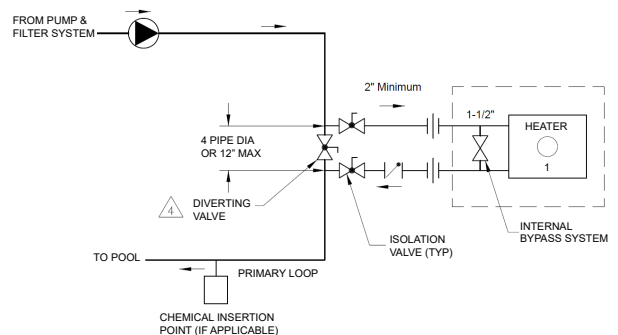


Figure 14. Piping Diagram

If there is any possibility of back-siphoning when the pump stops, it is recommended that a check valve (or valves) also be installed in the system.

## Internal Automatic Bypass Valve

A built-in automatic bypass valve is provided in the In/Out header. The internal bypass valve automatically responds to changes in water pressure in the piping system. The proper amount of water flow is maintained through the heater under varying pressures dictated by the conditions of the pump and filter.

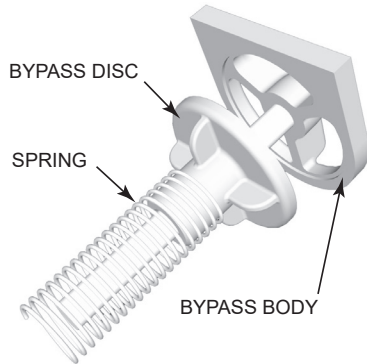


Figure 15. Internal Automatic Bypass Valve

## External Auxiliary Bypass Valve

An auxiliary bypass valve must be used when flow rates exceed 70 GPM (265 LPM). Usually a high-performance pump size larger than one horsepower will exceed this flow rate. This valve is required to complement the function of the automatic bypass valve, particularly when starting the heater in winter or early spring when the spa or pool temperature is below 50°F (10°C). It also serves to eliminate needless pressure drop through the heater and accompanying reduction in the flow rate to the spa jets, etc.

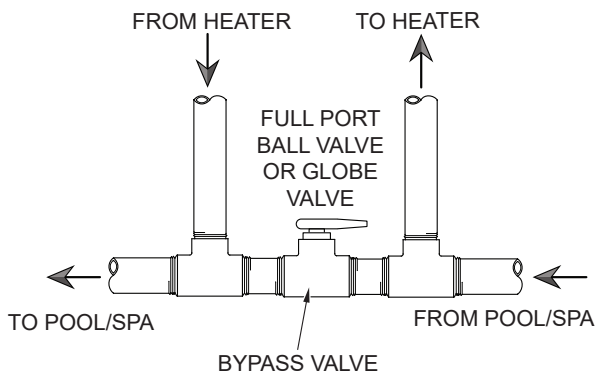


Figure 16. Auxiliary Bypass Valve

## Auxiliary Bypass Valve Adjustment

**NOTE:** Do not use a gate valve as an auxiliary bypass valve.

To set bypass: With clean filter, adjustment is made by touching the inlet and outlet pipes at the heater. Outlet pipes should be slightly warmer than inlet and comfortable to the touch. If pipe is hot, close bypass; if cold, open bypass.

## Pressure Relief Valve Installation

To conform to local building codes, it may be necessary to install a pressure relief valve. A 3/4" pressure relief valve, having a capacity equal to or greater than the BTUH input of the heater to be installed, is recommended for this heater. The maximum pressure relief valve setting is 125 psi (862 kPa). This relief valve needs to be installed on the outlet pipe from the header as noted in Figure 17 below.

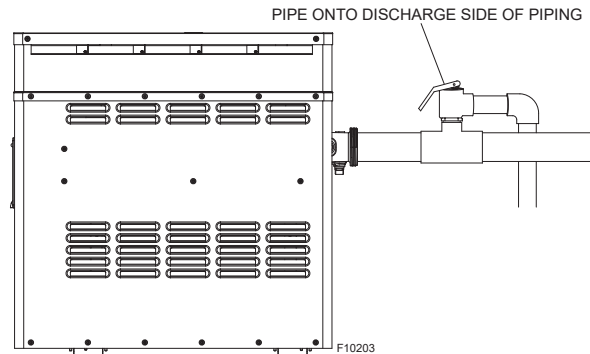


Figure 17. Pressure Relief Valve Installed

If required, this needs to be installed in a field-supplied fitting external to the heater. The valve shall be installed in a vertical position. Do not over-tighten. Install the pressure relief valve hand tight plus 1/2 turn.

**WARNING:** To avoid water damage or scalding due to relief valve operation, drain pipe must be connected to valve outlet and run to a safe place of discharge. Drain pipe must be the same size as the valve discharge connection throughout its entire length and must pitch downward from the valve. No shutoff valve shall be installed between the relief valve and the drain line.

The valve lever should be tripped at least once a year to ensure that waterways are clear. If the relief valve does not function properly, replace it immediately.

Flow GPM (lpm)	Pressure Drop ft. of Head (m of Head)
20 (75.7)	7.6 (2.3)
30 (113.6)	8.2 (2.5)
40 (151.4)	8.7 (2.6)
50 (189.3)	9.3 (2.8)
60 (227.1)	9.8 (3.0)
70 (265.0)	10.4 (3.2)

Table J. Heat Exchanger Pressure Drop

## Base Riser (for Canada only)

For all Canada installations, the unit must be installed on a base riser that is shipped along with the unit. This is in accordance with ANSI-Z21.56. See IPL for replacement kit information on page 34 (Item 11-S).

## Electrical Connections

Be sure that electrical service to the heater has proper overload fuse or circuit breaker protection, wire size and connections which comply with all applicable codes.

If any of the original wire as supplied with the appliance must be replaced, it must be replaced with type 302°F (150°C) wire or its equivalent.

*Si un des fils original fourni avec l'appareil doit être remplacé, utilisez un fil 302°F (150°C), ou l'équivalent.*

The heater comes standard with a 120 VAC 3-prong power cord. For 240 VAC applications, see **Figure 18**. Power source must be a wired ground, with ground fault circuit interruption circuitry.

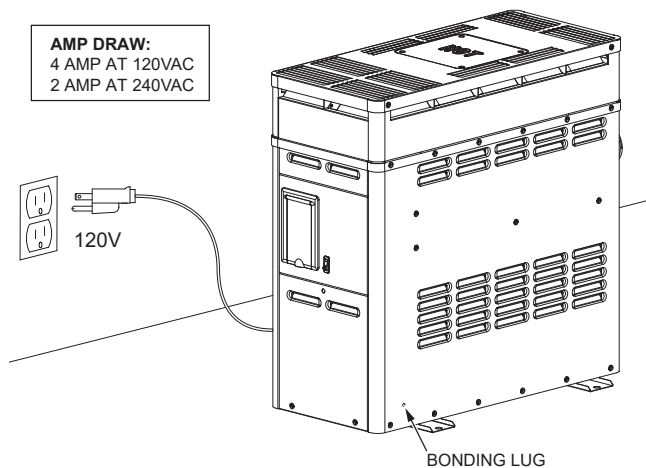


Figure 18. Electronic Heater Power

**ATTENTION.** Au moment de l'entretien des commandes, étiquetez tous les fils avant de les débrancher. Des erreurs de câblage peuvent entraîner un fonctionnement inadéquat et dangereux.

The heater must be electrically grounded and bonded in accordance with local codes, or, in the absence of local codes, with the latest edition of the National Electrical Code, ANSI/NFPA 70. (Canada - Canadian Electrical Code, CSA C22.1, Part 1 and Part 2.)

**NOTE:** Input power to the heater (120 VAC) can be supplied from the load (pump) side of time clock or directly from the GFCI power source. It is preferred to make connection to the load/pump side of the time clock.

**WARNING:** Risk of electrical shock. More than one disconnect switch may be required to de-energize the equipment before servicing.

**CAUTION:** Label all wires prior to disconnection when servicing controls. Wiring errors can cause improper and dangerous operation.

## 240 Volt Installation Instructions

**CAUTION:** This heater has provisions to be connected to an alternate supply source. To reduce the risk of electric shock, disconnect all connections before servicing.

1. Disconnect the 120V power cord from power source.
2. Remove knurled screw from the lower front panel.
3. Remove the front panel and set aside.
4. Remove the two stainless screws holding the control panel in place.
5. Lower the control panel and then sway it forward. The 120V wiring should be visible next to the transformer.
6. Disconnect and remove the 120V power cord from the heater.
7. Bring the 240V supply line into the control box.
8. Install a wire nut on the white transformer wire. See **Figure 19**.
9. Wire nut the 240V supply lines to the red and black wires on the transformer.
10. Wire nut the supply ground line to the green transformer wire.
11. Reposition the control panel back in place and re-install the two screws.
12. Re-install front panel and knurled screw.

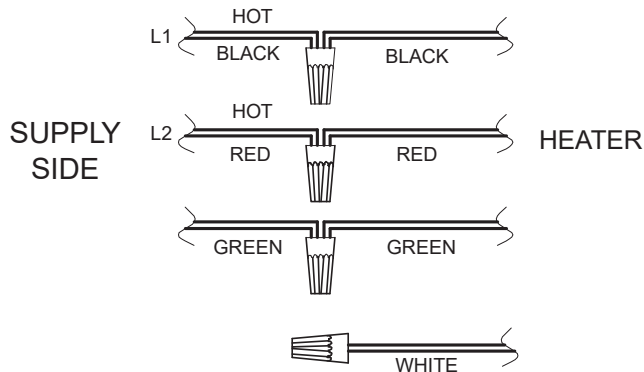


Figure 19. 240V Wire Connection

## FOR YOUR SAFETY READ BEFORE OPERATING POUR VOTRE SÉCURITÉ LISEZ AVANT DE METTRE EN MARCHÉ

**WARNING:** If you do not follow these instructions exactly, a fire or explosion may result causing property damage, personal injury or loss of life.

**AVERTISSEMENT:** Quiconque ne respecte pas à la lettre les instructions dans la présente notice risque de déclencher un incendie ou une explosion entraînant des dommages, des blessures ou la mort.

- |   |  |
|---|--|
| <p>A. This appliance is equipped with an ignition device which automatically lights the pilot. Do NOT try to light the pilot by hand.</p> <p>B. BEFORE OPERATING smell all around the appliance area for gas. Be sure to smell next to the floor because some gas is heavier than air and will settle on the floor.<br/><b>WHAT TO DO IF YOU SMELL GAS</b></p> <ul style="list-style-type: none"> <li>* Do not try to light any appliance.</li> <li>* Do not touch any electric switch; do not use any phone in your building.</li> <li>* Immediately call your gas supplier from a neighbor's phone.</li> </ul> <p>Follow the gas supplier's instructions.</p> <ul style="list-style-type: none"> <li>* If you cannot reach your gas supplier, call the fire department.</li> </ul> <p>C. Use only your hand to push in or turn the gas control knob. Never use tools. If the knob will not push in or turn by hand, do not try to repair it, call a qualified service technician. Force or attempted repair may result in a fire or explosion.</p> <p>D. Do not use this appliance if any part has been under water. Immediately call a qualified service technician to inspect the appliance and to replace any part of the control system and any gas control which has been under water.</p> | <p>A. Cet appareil est muni d'un dispositif d'allumage qui allume automatiquement la veilleuse. Ne tentez pas d'allumer la veilleuse manuellement.</p> <p>B. AVANT DE FAIRE FONCTIONNER, renifluez tout autour de l'appareil pour détecter une odeur de gaz. Renifluez près du plancher, car certains gaz sont plus lourds que l'air et peuvent s'accumuler au niveau du sol.<br/><b>QUE FAIRE SI VOUS SENTEZ UNE ODEUR DE GAZ:</b></p> <ul style="list-style-type: none"> <li>* Ne pas tenter d'allumer d'appareil.</li> <li>* Ne touchez à aucun interrupteur; ne pas vous servir des téléphones se trouvant dans le bâtiment.</li> <li>* Appelez immédiatement votre fournisseur de gaz depuis un voisin. Suivez les instructions du fournisseur.</li> <li>* Si vous ne pouvez rejoindre le fournisseur, appelez le service des incendies.</li> </ul> <p>C. Ne poussez ou tournez la manette d'admission du gaz qu'à la main; ne jamais utiliser d'outil. Si la manette reste coincée, ne tentez pas de la réparer; appelez un technicien qualifié. Le fait de forcer la manette ou de la réparer peut déclencher une explosion ou un incendie.</p> <p>D. N'utilisez pas cet appareil s'il a été plongé dans l'eau, même partiellement. Faites inspecter l'appareil par un technicien qualifié et remplacez toute partie du système de contrôle et toute commande qui ont été plongés dans l'eau.</p> |
|---|--|

## OPERATING INSTRUCTIONS INSTRUCTIONS DE MISE EN MARCHÉ

- |  |   |
|--|---|
| <ol style="list-style-type: none"> <li>1. <b>STOP!</b> Read the safety information above on this label.</li> <li>2. Set the thermostat to the lowest setting.</li> <li>3. Turn off all electric power to the appliance.</li> <li>4. This appliance is equipped with an ignition device which automatically lights the pilot. Do NOT try to light the pilot by hand.</li> <li>5. Turn gas control knob clockwise  to "OFF".</li> <li>6. Wait five (5) minutes to clear out any gas. Then smell for gas, including near the floor. If you smell gas STOP! Follow "B" in the safety information above on this label. If you don't smell gas, go to the next step.</li> <li>7. Turn gas control knob counter clockwise  to "ON".</li> <li>8. Turn on all electric power to the appliance.</li> <li>9. Set thermostat to desired setting.</li> <li>10. If the appliance will not operate, follow the instructions "To Turn Off Gas To Appliance" and call your service technician or gas supplier.</li> </ol> | <ol style="list-style-type: none"> <li>1. <b>ARRÊTEZ!</b> Lisez les instructions de sécurité sur la portion supérieure de cette étiquette.</li> <li>2. Réglez le thermostat à la température la plus basse.</li> <li>3. Coupez l'alimentation électrique de l'appareil.</li> <li>4. Cet appareil est muni d'un dispositif d'allumage qui allume automatiquement la veilleuse. Ne tentez pas d'allumer la veilleuse manuellement.</li> <li>5. Tournez le bouton de la vanne de gaz dans le sens horaire  à la position "Arrêt" (OFF).</li> <li>6. Attendre cinq (5) minutes pour laisser échapper tout le gaz. Renifluez tout autour de l'appareil, y compris près du plancher, pour détecter une odeur de gaz. Si vous sentez une odeur de gaz, ARRÊTEZ! Passez à l'étape B des instructions de sécurité sur la portion supérieure de cette étiquette. S'il n'y a pas d'odeur de gaz, passez à l'étape suivante.</li> <li>7. Tourner le bouton de commande de gaz dans le sens antihoraire  à la position "Marche" (ON).</li> <li>8. Mettez l'appareil sous tension.</li> <li>9. Réglez le thermostat à la température désirée.</li> <li>10. Si l'appareil ne se met pas en marche, suivez les instructions intitulées "Comment couper l'admission de gaz de l'appareil" et appelez un technicien qualifié ou le fournisseur de gaz.</li> </ol> |
|--|---|

## TO TURN OFF GAS TO APPLIANCE COMMENT COUPER L'ADMISSION DE GAZ L'APPAREIL

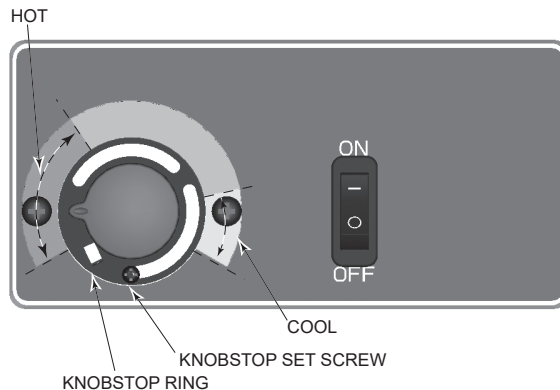
- |   |  |
|---|--|
| <ol style="list-style-type: none"> <li>1. Set the thermostat to the lowest setting.</li> <li>2. Turn off all electrical power to the appliance if service is to be performed.</li> <li>3. Turn gas control knob clockwise  to "OFF".</li> </ol> | <ol style="list-style-type: none"> <li>1. Réglez le thermostat à la température la plus basse.</li> <li>2. Coupez l'alimentation électrique de l'appareil s'il faut procéder à l'entretien.</li> <li>3. Tournez le bouton de commande de gaz dans le sens horaire à la  position "Arrêt" (OFF).</li> </ol> |
|---|--|

## 5. CONTROLS

### P-106 Control Adjustments

The P-106 has an analog control system. The pool or spa water temperature is controlled by the thermostat on the upper front panel of the heater. The control center contains an On/Off toggle switch and a thermostat. The switch functions as a means for turning the heater On or Off.

The thermostat is fitted with a means of limiting the upper temperature limit below the maximum level. The knob stop adjustment ring shown in **Figure 20** is adjustable by loosening the set screw, rotating the knobstop ring to the desired location, and tightening the set screw.



**Figure 20. Water Temperature Thermostat**

**NOTE:** Minimum setpoint is 65°F (18°C). Maximum setpoint is 104°F (40°C).

## P-156 Control Adjustments

The P-156 has a digital control system. The pool heater (chauffe-piscine) touchpad, located on the upper front panel of the heater, allows the user to select either POOL or SPA operation, and to adjust the setpoint temperature. The LCD display window indicates the mode (OFF, SPA, POOL) and the actual water temperature. A manual power switch provided below the touchpad turns the control power ON or OFF.

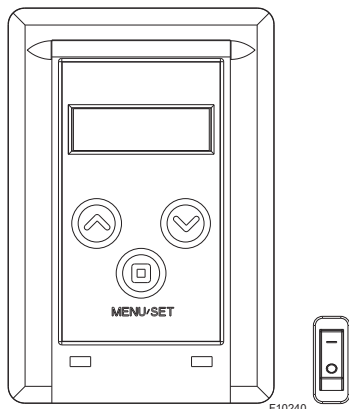


Figure 21. Digital Control Adjustment

### MENU/SET Button

The MENU/SET button is used to select POOL or SPA operation. It allows the user to turn the heater off electronically. The LCD remains energized and displays OFF, while continues to show the actual water temperature.

### Temp Buttons

If the heater is in POOL or SPA mode, the desired water temperature (SETPOINT) will be displayed and may be adjusted using the UP or DOWN buttons.

### Operation

In the POOL or SPA modes, the actual water temperature is displayed along with the desired water temperature (SETPOINT). When the water temperature is above the setpoint, “Water Temp” will alternate with “No Demand.” When the water temperature is below the setpoint and the heater is firing, “Water Temp” will alternate with “Heating.”

To adjust the setpoint temperature, make sure the control is in the appropriate mode (POOL or SPA) and push the UP or DOWN buttons.

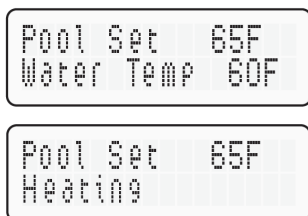
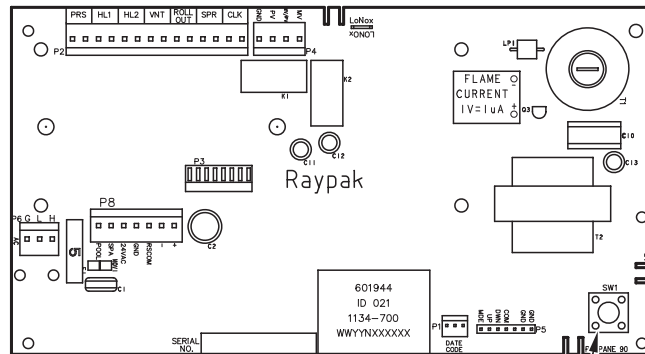


Figure 22. Alternating Display During Heating

## P-156 Thermostat Operation



Program Mode Button (SW1)

Figure 23. Thermostat Program Button (SW1)

### Service Menu and Fault History

To access the Service Menu and fault history, press the MENU/SET and UP buttons simultaneously for 3 to 5 seconds. The heater will continue to operate while in the Service Menu. The first screen displayed is the Flame Strength indicator, which indicates the pilot flame current using a bar graph and numerical display. A signal of less than 4 bars indicates a weak flame signal and may require service. Refer to the Troubleshooting section for possible causes and corrections.



Figure 24. Flame Strength Indicator

Press the DOWN button. The Supply Voltage screen indicates the voltage supplied to the control board. Normal readings range from 24 to 29 volts.

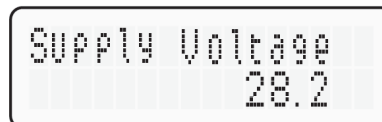


Figure 25. Supply Voltage Indicator

Press the DOWN button. The Run Time indicates the total hours of operation for the pool heater, as measured by the amount of time that the main gas valve has been powered. The Cycle count indicates the number of on/off cycles of the heater, as measured by the number of times the pilot valve has been powered.

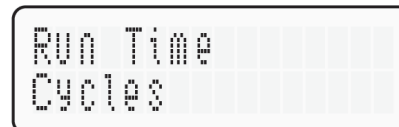


Figure 26. Run Time Indicator

Press the DOWN button. The Fault History displays up to ten faults in memory. The order of the faults begins with “Fault Last,” which is the most recent fault, and proceeds through ten most recent messages in chronological order. The second line of the display shows the fault message. If there are no faults in the history buffer, the second line reads “All Faults Clear.”



Figure 27. Fault History Indicator

## Program Button

1. Remove the two screws holding the control cover, and swing the panel down so the back side of the board is visible. Locate the Program Mode button (SW1) as shown in **Figure 23**. Press and hold the button for 5-7 seconds until Set Factory Defaults appears on the display. Release the program button.
2. Press the MENU/SET button sequentially until the desired program event is reached. There are 5 different events that can be programmed. They appear in the sequence listed in **Figure 28**:

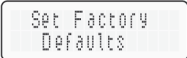
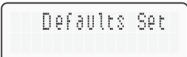

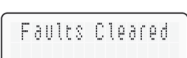
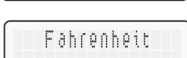
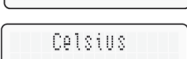

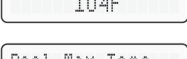
	Resets board to factory default settings.
	
	
	Resets faults in the History File.
	
	Change from Fahrenheit to Celsius.
	SPA setpoint maximum adjustment.
	POOL setpoint maximum adjustment.

Figure 28. Programmable Events

## Set Factory Defaults

Refer to step one above to access the program screen. Set Factory Defaults should appear on the screen. If it does not, press the MENU/SET button until it appears on the digital display. Press and hold both UP and DOWN buttons for 5-7 seconds until Defaults Set appears. This operation resets the operating program to its factory default values.

Both the POOL and SPA setpoints will revert to the minimum setpoint of 65°F (18°C) and both POOL and SPA maximum temperature settings will be 104°F (40°C). The Control Lockout PIN will be cleared and the control will resume normal operation.

## Clear Faults

Refer to step one above to access the program screen. Press the MENU/SET button until Clear Faults appears on the digital display. Press and hold both UP and DOWN buttons for 5-7 seconds until Faults Cleared appears. This operation resets the Fault History file to “0” and clears all the stored faults.

## Fahrenheit or Celsius

Refer to step one above to access the program screen. Press the MENU/SET button until Fahrenheit or Celsius appears on the digital display. The UP or DOWN buttons will select Fahrenheit or Celsius on the temperature display. Choose the desired temperature scale.

## Spa Max Temp – Spa Setpoint Maximum Adjustment

Refer to step one above to access the program screen. Press the MENU/SET button until Spa Max Temp appears on the digital display. Using the UP and DOWN buttons will change the Maximum Temperature Setting to your desired value. The control can be set for a maximum of 107°F (42°C).

## Pool Max Temp – Pool Setpoint Maximum Adjustment

Refer to step one above access into the program screen. Press the MENU/SET button until Pool Max Temp appears on the digital display. Using the UP and DOWN buttons will change the Maximum Temperature Setting to your desired value. The control can be set for a maximum of 107°F (42°C).

## Control Lockout

The heater is equipped with a Control Lockout feature to prevent unauthorized tampering or adjustment of the control settings. To lock out the controls, press the DOWN button and MENU/SET button for 5 seconds. Choose a three digit PIN, using the UP and DOWN buttons to select the digits and the MENU/SET button to lock in selections. Confirm your selection and record your PIN.

To unlock the controls, press any button to bring up the Enter PIN menu. Enter the PIN that was used to lock the control. Note that power cycling will not clear the lockout. Successfully unlocking the control will display “Lockout Cleared.” Failure to enter the correct PIN will display “Invalid PIN.”

In the event that the user-selected PIN is lost or does not clear the Control Lockout, use the Program Button to Set Factory Defaults. This will clear the PIN and allow normal operation and selection of a new PIN if desired.

**NOTE:** Both the POOL and SPA setpoints will revert back to the minimum setpoint of 65°F (18°C) and the POOL and SPA maximum temperature settings will be 104°F (40°C). These setpoints will need to be readjusted to desired settings.

**NOTE:** The LCD temperature display may not agree with the temperature reading of your pool or spa thermometer. The heater reads the water temperature at the inlet. Due to the circulation characteristics of any pool or spa, the water temperature at the inlet to the heater may differ from that observed at a given location in the pool or spa.

## Status and Diagnostics

The P-156 has a digital thermostat that is programmed to display a variety of status and diagnostic messages, depending on the operating conditions.

The following heat status messages are displayed in Pool, Spa, and Remote modes when there are no active fault conditions.

Display	Condition
Heating	Call-for-heat established, flame present.
Spark	Spark operating.
No Demand	Heat demand is satisfied.

**Table K. Heat Status Messages - No Active Faults**

The following conditions are displayed in Pool, Spa and Remote modes.

Display	Condition
Sensor Failure	Thermistor temperatures disagree by more than 2°F (1°C)
Sensor Open	Thermistor sensor failed open. Below -20°F (-29°C).
Sensor Short	Thermistor sensor failed short. Above 217°F (103°C).
Flame w/o CFH	Board is sensing flame when both main and pilot valves are commanded shut.
PV Output Fault	Pilot gas valve output is not in commanded state.
MV Output Fault	Main gas valve output is not in commanded state.
Internal Fault	Board fault, replace board.
EEPROM Fault	Memory fault, reset setpoints, replace board if fault does not clear.
Clock/Fireman Sw	Time clock/fireman switch circuit is open.
Low Temp Lockout	Water temperature below 36°F (2°C).

**Table L. Heat Status Messages - Active Faults**

The following conditions are displayed only while there is a demand for heat present.

Display	Condition
Water Sw Open	Water pressure switch open.
Vent/Field Sw #1	Vent spill switch/field switch #1 open.
Hi Limit 1 Fault	High limit 1 open.
Hi Limit 2 Fault	High limit 2 open.
Rollout Sw Open	Rollout switch open.
Flow/Field SW #2	Field-supplied flow switch/field switch #2 open.
Ignition Lockout (Propane Tab Broken)	<b>Alternating with “No pilot sensed”</b> - Pilot flame not established within the required time (15 sec or 90 sec). <b>Alternating with “Main Ign Failure”</b> - Pilot flame lost during the 8 second trial to ignite the main burner.
Ignition Failure (Propane Tab Not Broken)	<b>Alternating with “No pilot sensed”</b> - Pilot flame not established within 90 seconds.
Ign 6min Delay (Propane Tab Not Broken)	<b>Alternating with “Main Ign Failure”</b> - Pilot flame lost 4 times within the 8 second trial to ignite the main burner. Heater will lockout for 6 minutes before retrying.

**Table M. Heat Status Messages - Demand for Heat**

## Remote Control Installation and Operation

**CAUTION:** Before installing remote controls to the P-156 heaters, read the following: The digital thermostat model is remote-ready in most cases. The digital liquid crystal display (LCD) shows the actual pool temperature, operating status, and service codes. See Figure 29. The touch pad on the control panel allows you to select the desired pool or spa temperature. It also indicates when a remote system is controlling the heater by displaying Remote in the display. When connecting the heater to a remote system, identify whether it is a two- or three-wire remote system. Select the appropriate instruction listed below to properly install the remote to the heater.

## Remote Operation

The P-156 heaters are equipped with the ability to work with external remote controls. The P-106 is not equipped for remote operation. The supplied 7-pin remote wiring connector supplies power out to either a toggle switch or the switch contacts of a third-party remote. See Figure 31. The remote works by either making or breaking the circuit created by the remote wiring. Typically, a remote does not supply power to the heater, it only provides a switching function to turn the heater On or Off. **If your remote is supplying its own voltage to the heater, it will not work with this heater and may damage the digital circuit board.**

For operation of the heater using the onboard thermostatic controls with a time clock, see the “Time Clock/Fireman’s Switch” section.

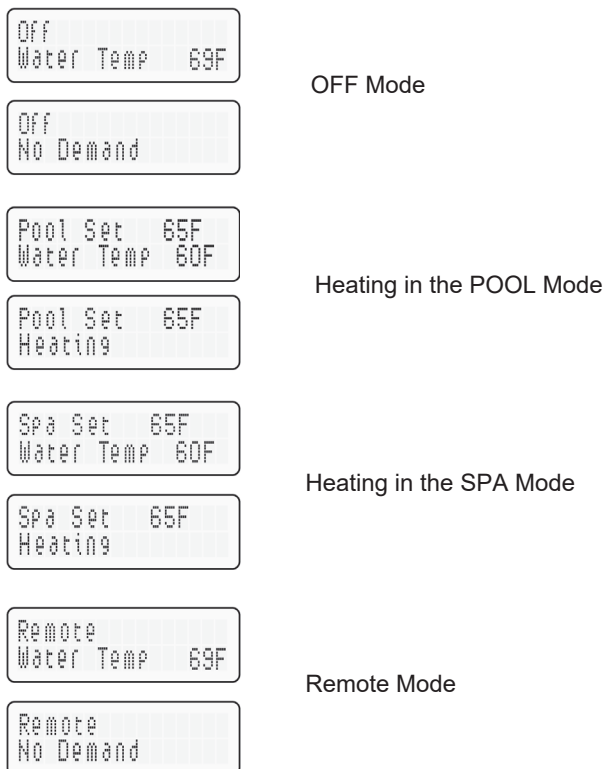


Figure 29. Remote Control Menu - Remote Operation

## Activating the Remote

To activate or deactivate the remote function, follow these steps:

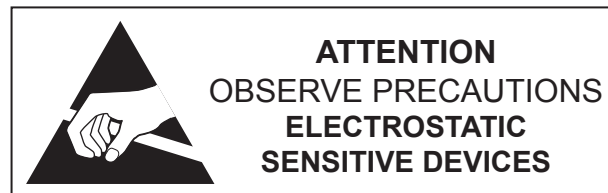
1. Press and hold the UP and DOWN arrow buttons for 3 to 5 seconds.
2. The second line of the display will alternate even when the unit is off (“No Demand”).

**NOTE:** When in remote operation, the keypad mode and temp buttons are disabled.



Figure 30. Remote Control Menu - Activation

## Remote Control Wiring (P-156 only)



**CAUTION:** Electrostatic Discharge (ESD) damage can be caused by direct or indirect contact with the wiring or circuit board. When one walks to the heater area, an electrostatic charge accumulates on the body. Contact of a finger allows the body to discharge, possibly causing device damage. This damage can be limited if the service person discharges himself, following ESD preventive/removal practices, and holds on to the heater enclosure for 5 seconds before proceeding.

### Important Installation Notes for Remote or External Wiring Configuration:

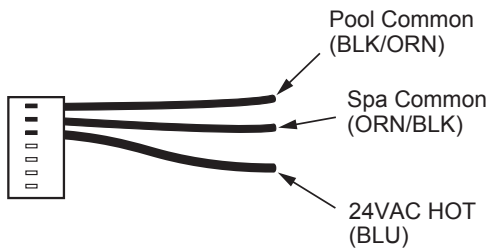
- Remote wiring must be run in a separate conduit.
- Remote wiring must not be run parallel to high voltage lines.
- For runs of under 30' (9.1 m), remote wiring should have stranded conductors with a minimum of 22 AWG, 600V, cable twisting 1.5" to 2.5" (38 to 64 mm) lay and jacketed.
- For runs over 30' (9.1 m), the conductors should be a minimum of 20 AWG, 600V, cable twisting 1.5" to 2.5" (38 to 64 mm) lay that is shielded and jacketed.
- Maximum cable length is 200' (61 m).
- For both two- and three-wire remote systems, the provided 7-pin wiring connector must be utilized.

**NOTE:** The remote wires must be connected to the 7-pin connector before the connector is plugged into the board.

## 2-Wire Remote Control (On-Off) P-156

This application assumes that only one heating function (pool or spa) is required.

1. Turn on power to the heater.
2. For a 2-Wire Remote Control from a remote without its own sensor, push the MENU/SET button to the "POOL" or "SPA" mode and set the desired setpoint (eg. 102 °F (39°C) for Spa).
3. For a 2-Wire Remote Control from a remote with its own sensor, push the MENU/SET button "POOL" or "SPA" mode and set the temperature to the highest setting available on the control. The actual setpoint will be controlled by the remote control.
4. Turn the MENU/SET button to "OFF" and remove power from the heater.
5. On the "Remote Interface Harness", connect the BLUE wire to one side of the "REMOTE" switch and connect the other side to either the ORANGE/BLACK wire for "SPA" operation or the BLACK/ORANGE wire for "POOL" operation. See **Figure 31**.

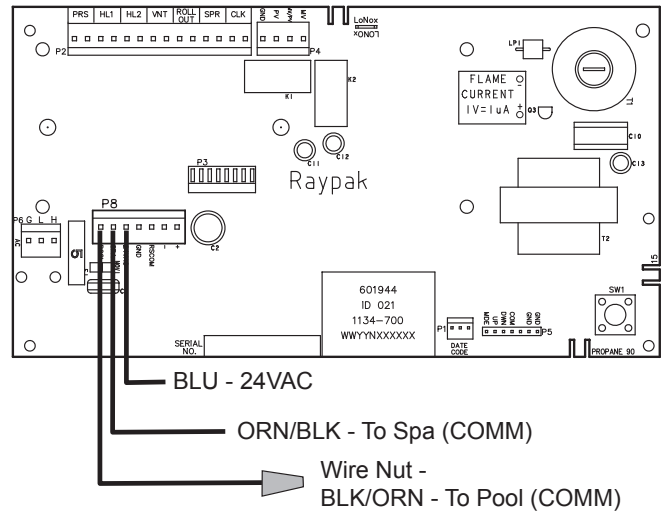


**Figure 31. 7-Pin Remote Interface Harness**

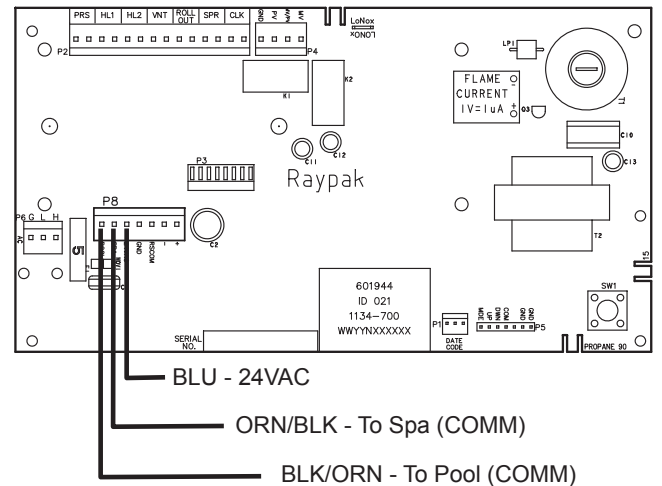
6. Attach wire nut on unused wire to the "Remote Interface Harness."
7. Install the "7-Pin Remote Interface Harness" to the P8 connector and turn power "On" to the heater. See **Figure 32**.
8. For activation of the remote control, see "Activating the Remote" on page 20.

## 3-Wire Remote Control Using Three-Position Switch (Pool-Off-Spa, or Low-Off-High)

1. This application assumes that both heating functions (pool and spa) are required.
2. Turn on power to the heater.
3. Push the menu/set button to the "POOL" or "SPA" mode and set the desired temperature for each (eg. 80°F (27°C) for Pool and 102°F (39°C) for Spa).
4. Turn the MENU/SET button to "OFF" and remove power from the heater.



**Figure 32. 2-Wire Remote Harness Installation on the P8 Connector, P-156 Only**



**Figure 33. 3-Wire Remote Harness Installation on the P8 Connector, P-156 only**

5. On the "Remote Interface Harness" connect the BLUE wire to one side of the "REMOTE" switch and connect the ORANGE/BLACK wire for "SPA" operation and the BLACK/ORANGE wire for the "POOL" operation. See **Figure 31**.
6. Install the "Remote Interface Harness" to the P8 connector and turn power "ON" to the heater. See **Figure 33**.
7. For activation of the remote control, see "Activating the Remote" on page 20.

## Time Clock/Fireman's Switch

To operate the heater with a time clock, connect the timer to the fireman's switch connection in the heater's wiring. The time clock should be of the dual-switch type and set to shut off the call-for-heat to the pool heater (chauffepiscine) 15 to 20 minutes prior to shutting down the pool pump.

On P-106 heaters, splice into the red/white wire to connect the time clock. For P-156 heaters the fireman's switch connection is located on the 14-pin header connected to the digital control board. Splice into the red wire jumper tagged "Where necessary add "Fireman's" switch circuit here" to connect the time clock.

**The fireman's switch connection on both heaters must be a dry contact and must not supply power to the heater. Powering the fireman's switch connection externally may damage the heater, and is not covered by warranty.**

P-156 heaters: Do not exceed 50' (15.2 m) of total wiring using 18 AWG stranded copper wire rated for 221°F (105°C) minimum.

**NOTE:** When using a time clock, the heater will display "Clock/Fireman Sw" when the fireman's switch is open, indicating that the time clock has shut off the call-for-heat.

## Post Start-Up Inspection

Do not use this heater if any part has been under water. Immediately call a qualified service technician to inspect the heater and to replace any part of the control system and any gas control which has been under water.

*N'utilisez pas cet appareil s'il a été plongé dans l'eau, même partiellement. Faites inspecter l'appareil par un technicien qualifié et remplacez toute partie du système de contrôle et toute commande qui ont été plongés dans l'eau.*

**WARNING:** Should overheating occur or the gas supply fail to shut off, turn off the manual gas control to the appliance.

**AVERTISSEMENT:** En cas de surchauffe ou si l'alimentation en gaz ne s'arrête pas, fermez manuellement le robinet d'arrêt de l'admission de gaz.

Feel the inlet and outlet pipes. Outlet pipe should be only slightly warmer than the inlet. It should not be hot.

With the heater on, remove the door and make a visual check of the burner.

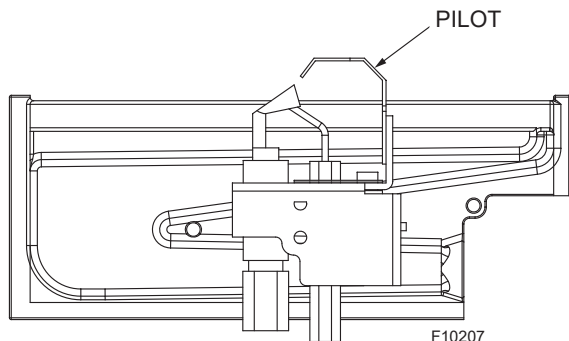


Figure 34. Pilot Location

## Cold Weather Operation

### Moderate Climate

Heater operation can continue during short-term cold spells. When temperatures are between 0° (-17°C) and 32°F (0°C), flow (continuous pump operation) must be maintained.

**CAUTION:** Do not use the heater to maintain water temperatures just above freezing or for freeze protection. When heater is used during freezing weather, care must be taken to avoid freeze-ups. Continuous pump operation is a must. Additional protection may be required. The heater is not warranted against freeze-ups.

### Cold Climate

Prolonged operation with water temperatures below 50°F (10°C) is not recommended. When starting the heater with water temperatures below 50°F (10°C), operate the heater continuously until higher temperatures are reached. Operating the heater for prolonged periods with pool water below 50°F (10°C) can seriously damage the heater, and is not covered by the warranty.

For cold climate areas, please follow the winterizing procedures listed in the next section.

## Winterizing the Heater

Heaters installed outdoors in freezing climate areas may be shut down for the winter. Observe the following procedure for winterizing the heater.

1. Turn off gas valve, manual gas valve, and electrical supply to the heater.
2. Open the drain plug located on the In/Out header, under the water pipes.
3. Remove the 2 wires from the water pressure switch and unscrew the water pressure switch to break any vacuum in the system. Remove the pressure switch and dry it before re-installing. Excessive moisture in the pressure switch may freeze, damaging the switch.

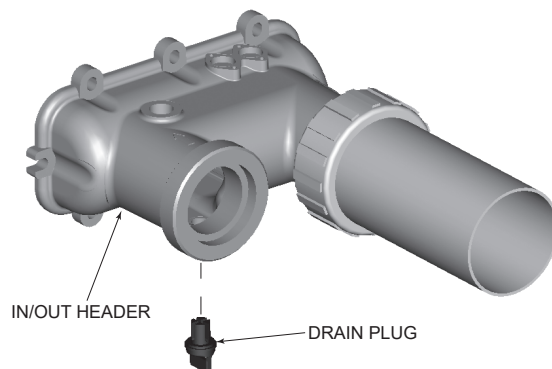


Figure 35. In/Out Header Drain Plug Location

# 6. WIRING DIAGRAMS

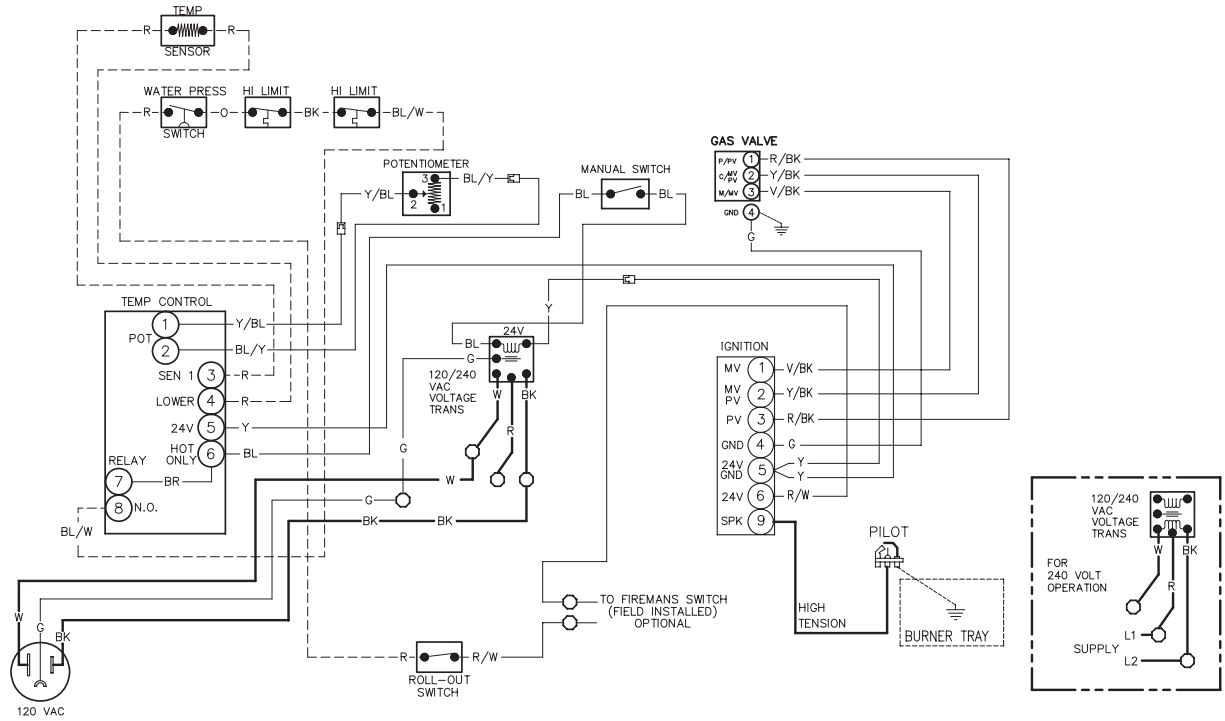


Figure 36. P-106 Heater Wiring

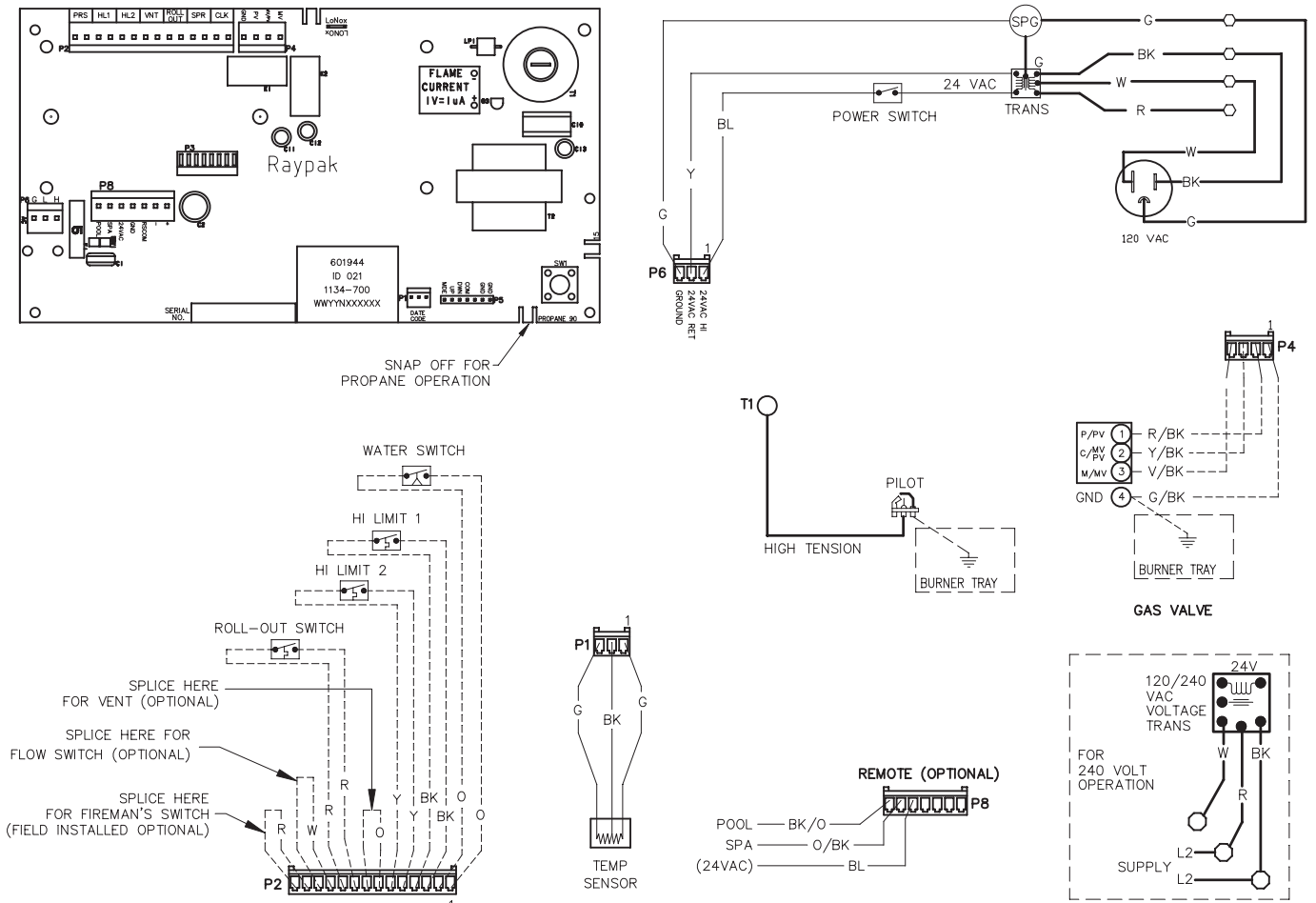


Figure 37. P-156 Heater Wiring

## 7. MAINTENANCE

The following preventative maintenance is to be performed one month after start-up and semi-annually thereafter.

1. Inspect top of heater and draft hood for soot, a sticky black substance around finned tubes and "V" baffles, and open flue gas passageways. Any visible soot should be cleaned for proper operation. See "De-sooting Procedure" on page 26.
2. Clean main burners and pilot burner of dust and lint.
3. Inspect and operate all controls, gas valve and pressure relief valve (if equipped).
4. Make visual check of the burner and pilot flames. Flame pattern on the main burner and pilot is illustrated in the Post Start-Up Inspection section. Yellow flame means restriction of the air openings. Lifting or blowing flame indicates high gas pressure. Low flame means low gas pressure. Should these occur, shut the heater off and contact your gas supplier or qualified service agency.
5. On indoor heaters, clean room intake openings to ensure adequate flow of combustion and ventilation air.
6. Keep area around heater clear and free from combustible materials, gasoline and other flammable and corrosive vapors and liquids.

### Service

Verify proper operation after servicing.

*S'assurer que l'appareil fonctionne adéquatement une fois l'entretien terminé.*

### Water Pressure Switch

The water pressure switch ensures that the heater operates only when the filter pump is in operation. It is located on the In/Out header. It is factory set at 1.75 PSI (12kPa) for deck-level installations. When the heater is located below the level of the spa or pool, it may be necessary to adjust the pressure switch to compensate for the no-flow static head. If it is necessary to adjust the water pressure switch, utilize the following procedure.

**CAUTION:** Do not adjust the pressure switch until all air has been evacuated from the system and the water flow rate meets the requirements listed in Table H.

### Water Pressure Switch Adjustment

1. With pump and heater on, turn adjustment knob clockwise until a click is heard from the gas valve.
2. Turn adjustment knob counter-clockwise 1/4 turn.

3. Turn pump off and on several times. Heater should shut off immediately. If it does not, repeat Steps 1 and 2.

**NOTE:** If heater is installed outside of the limits shown, a higher-pressure rated 11 psi (76 kPa) switch may be used. A flow switch, mounted and wired adjacent to the heater, may be used in place of the factory-mounted pressure switch. See Illustrated Parts List for 11 psi (76 kPa) water pressure switch.

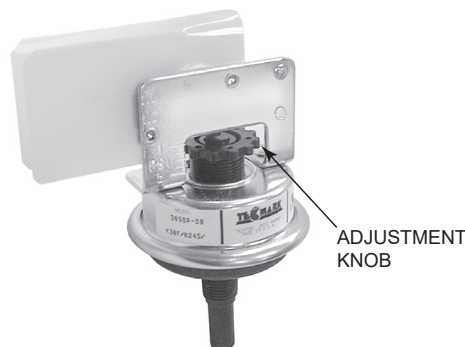


Figure 38. Water Pressure Switch Adjustment

### Two-Speed Pumps

In some cases, the flow on the low-speed is insufficient to operate the heater. This is apparent when the water pressure switch cannot be further adjusted or if the heater makes banging noises or shuts off on high limit. In these cases, the pump must be run at high speed when heating the water.

**CAUTION:** Do not operate the heater without the function of a properly-adjusted water pressure switch or flow switch.

### Pilot Safety

The heater employs a pilot safety which closes the main gas valve within 8/10ths of a second whenever the pilot flame is interrupted. The pilot flame is automatically lit when the device is powered. The heater performs its own safety check and opens the main valve only after the pilot is proven to be lit.

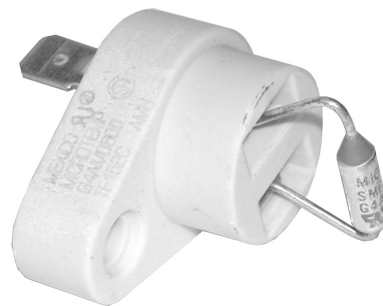


Figure 39. Flame Roll-Out Safety Switch

## Flame Roll-Out Safety Switch

Heaters are equipped with a thermal cutoff device to prevent flame roll-out in the event the heat exchanger becomes blocked. This is a “single-use” type fusible link or thermal fuse, that must be replaced when disabled by an over-temperature condition, caused by excessive restriction in the heat exchanger flue passage, roll-out, high winds, etc.

## High Limits

The heater is equipped with two automatic high limits. Both are located in the In/Out header. Both are set to open at 135°F (57°C).

**NOTE:** An erratic high limit is often characteristic of an internal heat exchanger problem, e.g. scale build-up, defective bypass. Refer to Troubleshooting section.

## High Limit Removal

1. Shut off main electrical power switch to heater.
2. Remove rear In/Out inspection panel.
3. Remove defective high limit and replace with a new high limit.
4. Replace inspection panel.

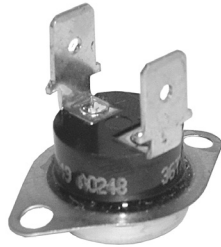


Figure 40. High Limit Switch

## Burner Tray Removal

1. Shut off main electrical power switch to heater.
2. Shut off gas upstream of heater.
3. Remove front door
4. Disconnect gas line from gas valve.
5. Remove (3) screws holding the anti-rotation bracket in place.
6. Remove bracket and set aside.
7. Remove (4) screws as shown in Figure 40.
8. Disconnect wiring from gas valve.
9. Remove (2) screws holding the control panel up.
10. Flip the control panel forward.
11. Disconnect ignition wire and remove with burner tray.
12. Reverse above procedure to reinstall.

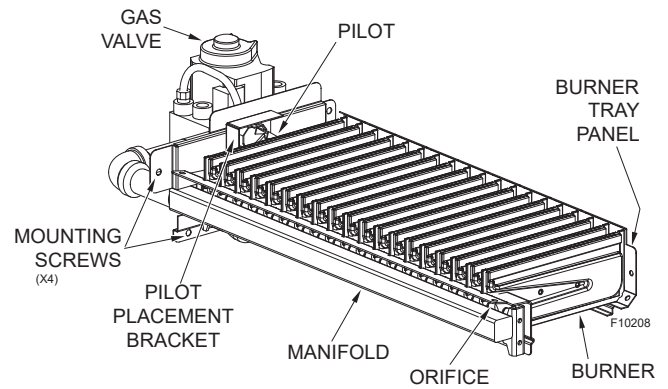


Figure 41. Burner Tray Assembly

## Gas Valve Removal

1. Remove burner tray.
2. Disconnect pilot tubing from gas valve
3. Rotate the gas valve counter clockwise to remove valve from nipple.
4. Reverse above procedure to reinstall.

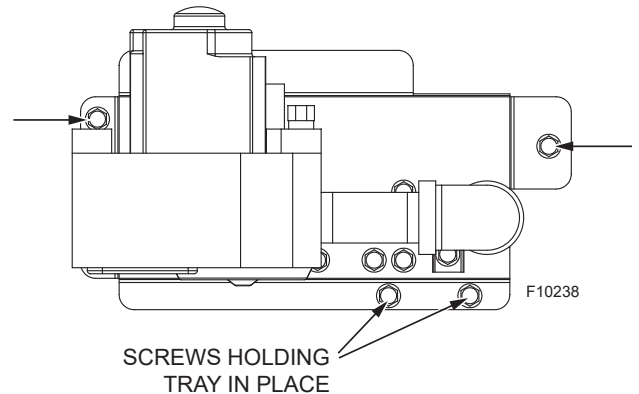


Figure 42. Gas Valve Removal

## Pilot Removal and Cleaning

1. Remove burner tray from heater
2. Disconnect tubing from gas valve.
3. Remove (2) screws holding pilot bracket in place.
4. Remove the pilot assembly by pushing the pilot
5. Remove the locating pilot screw from the bracket to release the pilot assembly.
6. Reverse above procedure to reinstall.

## Heat Exchanger Removal

1. Shut water, gas and electricity off, close valves and relieve pressure, then remove relief valve. Remove side inspection panels.
2. Remove the (8) top jacket holding screws. Remove the jacket top.
3. Remove the screws holding down the flue collector. Remove the flue collector.
4. Remove upper in/out access panel.
5. Disconnect all electrical wiring from in/out header.
6. Remove temperature sensor from in/out header.
7. Disconnect flange nuts on In/Out header.
8. Lift heat exchanger straight up, using caution not to damage refractory.
9. Reverse above procedure to reinstall.

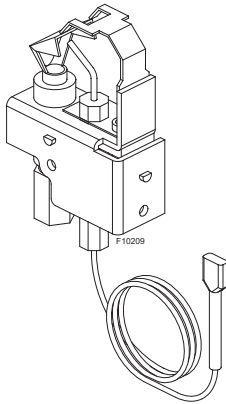


Figure 43. Spark-to-Hood Pilot

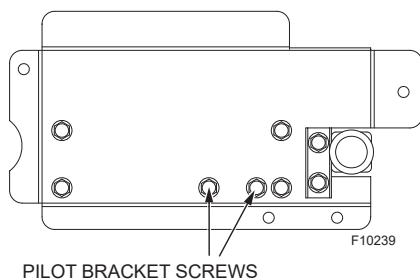


Figure 44. Pilot Bracket Screws

## Tube Cleaning Procedure

Establish a regular inspection schedule, the frequency depending on the local water conditions and the severity of service. Do not let the tubes clog up solidly.

**NOTE:** Please remove heat exchanger from heater prior to reaming or removing debris.

Clean out deposits over 1/16" in thickness. Use the Tube Cleaning Kit #052871F to ream the tubes as necessary. After reaming, mount the wire brush in place of the auger and clean out debris remaining in the tubes.

Another method is to remove the heat exchanger, ream tubes and immerse heat exchanger in non-inhibited de-scale solvent for severe scale build-up.

## De-sooting Procedure

**CAUTION:** Soot may be combustible. Wet sooted surfaces completely prior to cleaning. Do not use steel wire brush.

Soot will clog areas between fins and cause eventual tube failure. Any sign of soot at the base of the burners or around the outer jacket indicates a need for cleaning.

1. Remove top and flue collector from cabinet.
2. Remove burner tray.
3. Remove heat exchanger from the heater and wash with a garden hose, making sure soot is removed from spaces between fins.
4. Reverse above procedure to reinstall.

**NOTE:** In extreme cases it may be necessary to do high-pressure cleaning at a local car wash. DO NOT WIRE BRUSH.

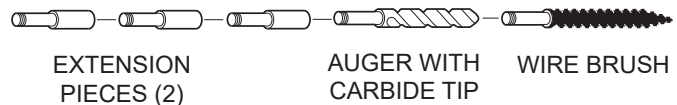


Figure 45. Tube Cleaning Kit

## Replacement Parts

**NOTE:** When ordering parts, it is important that the heater model number, serial number, and type of gas are specified.

Any part returned for replacement under standard company warranties must be properly tagged with a return parts tag, completely filled in with the heater serial number, model number, etc., and shipped to the Company freight prepaid.

If determined defective by the Company and within warranty, a like part or equal substitution will be returned, freight collect. Credit will not be issued.

**MANUFACTURER:  
2151 EASTMAN AVENUE  
OXNARD, CA 93030**

# 8. TROUBLESHOOTING

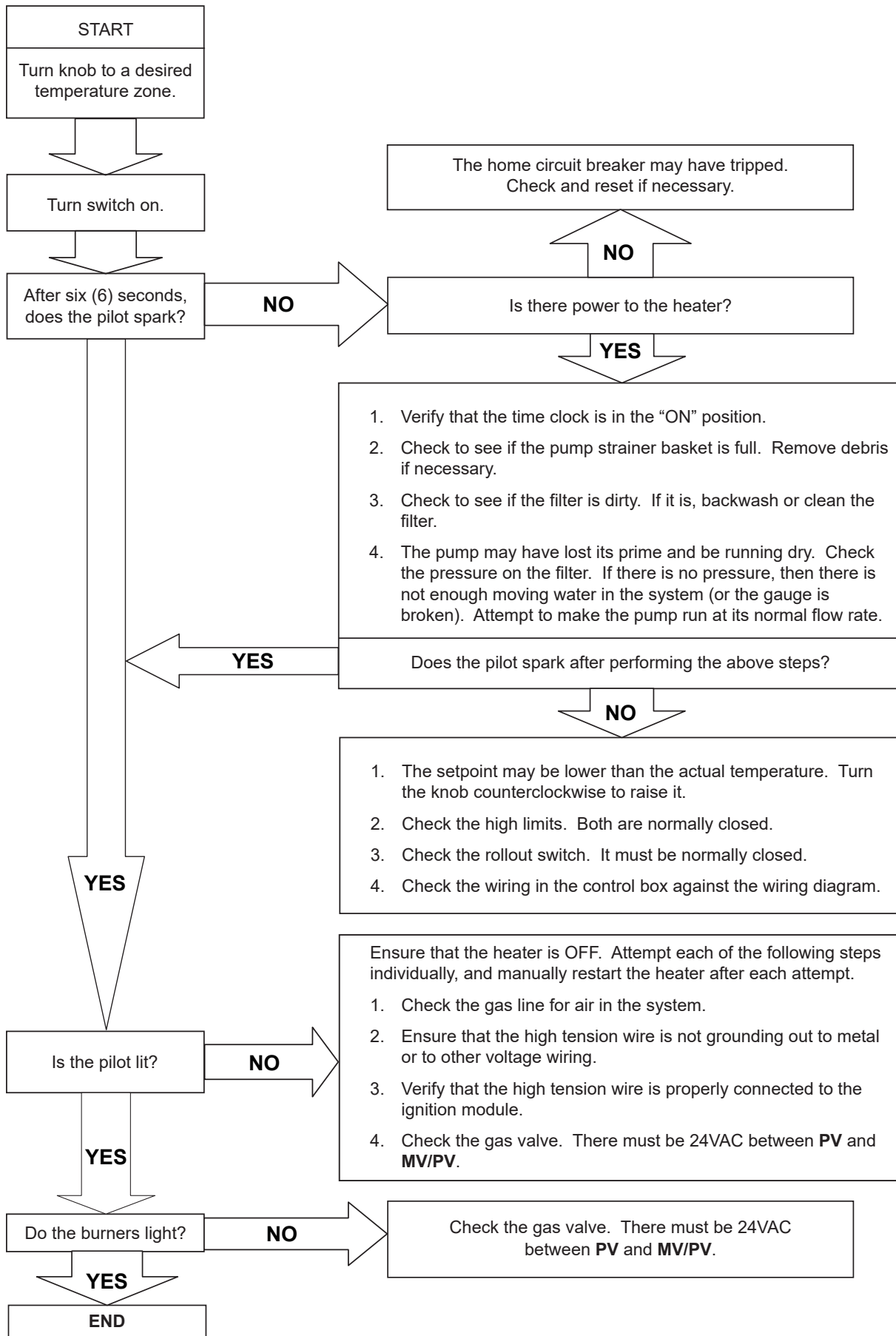
## Mechanical

**IMPORTANT NOTICE:** These instructions are intended for the use of qualified personnel who are specifically trained and experienced in the installation of this type of heating equipment and related system components. Installation and service personnel may be required by some states to be licensed. Persons not qualified shall not attempt to install this equipment nor attempt repairs according to these instructions.

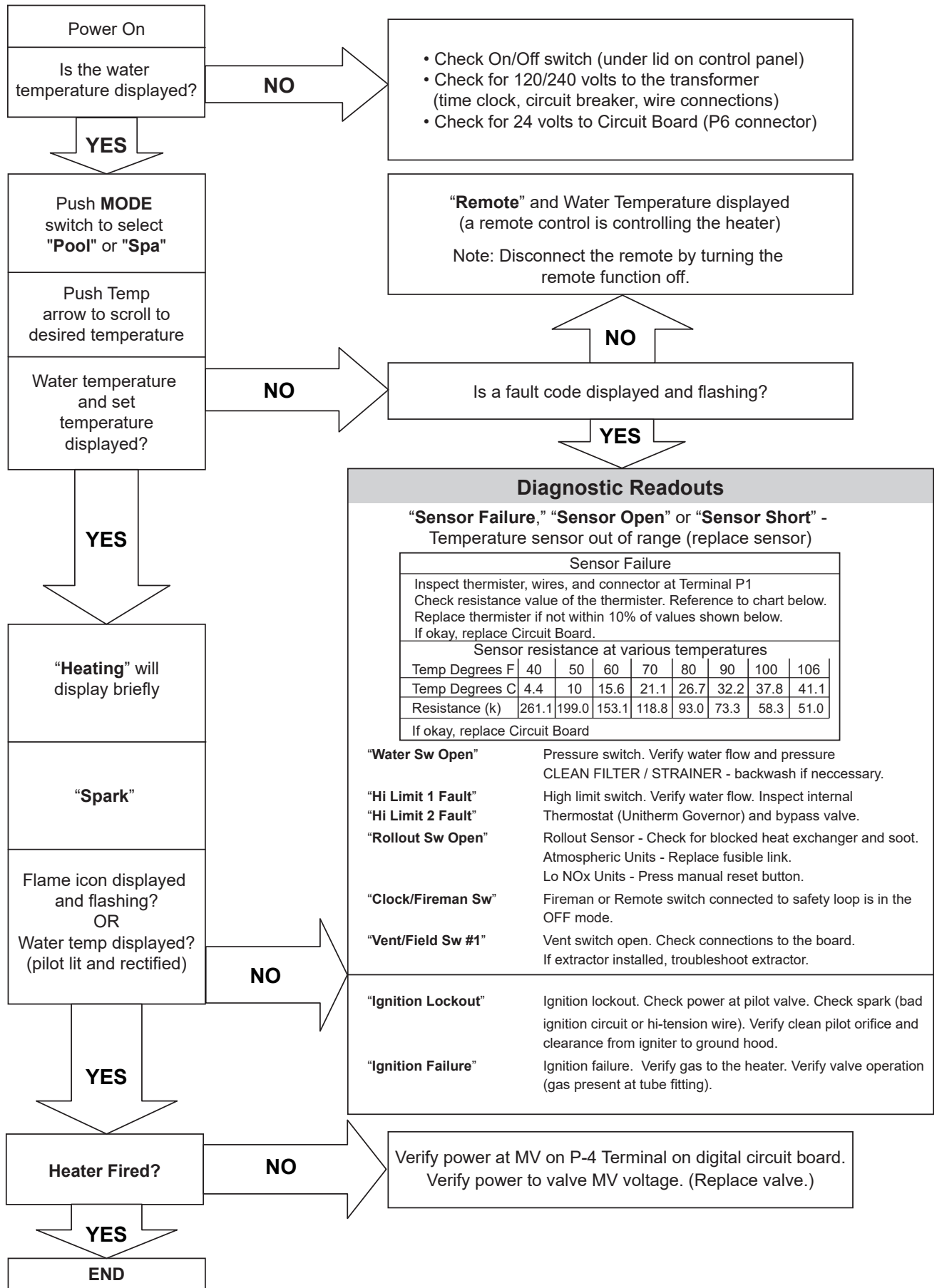
Problem	Possible Cause	Corrective Action
<b>Harmonics, or whining noise</b>	*Debris or restriction in system.....	Locate the restriction and remove. Flush system and clean.
	*Debris in gas line.....	Remove debris or blow out gas line
	Low flow.....	Scale forming in heat exchanger - clean heat exchanger and check pool pH and total alkalinity
<b>Heater going on and off continuously</b>	Dirty filter .....	Clean or replace filter
	Low water level in pool .....	Raise water level
	External bypass setting out of adjustment.....	Adjust bypass
	*Pressure switch out of adjustment .....	Adjust pressure switch
<b>Liming or scale forming in exchanger</b>	Pool water.....	See Water Chemistry on 5
	Bypassing too much water .....	Inspect bypass for movement, if no movement, replace
<b>Sooting</b>	High flow rates.....	Reduce by adding manual bypass valve Adjust manual bypass valve until heater outlet water temp is between 105°F and 110°F (40.5°C and 43.3°C) If no movement, replace
	*Air starvation .....	Refer to installation instructions
	*Improper venting .....	Follow recommended installation instructions
	Insects or debris clogging burner intake ports.....	Clean burners
<b>Pilot outage or “Weak Flame” signal</b>	Low gas pressure .....	Adjust gas pressure
	Restricted/dirty pilot.....	Clean pilot and/or electrode
	Weak pilot generator .....	Replace pilot
<b>Yellow lazy flame</b>	Low gas pressure .....	Adjust gas pressure
	Insects or debris clogging burner intake ports.....	Clean burners
<b>Outer jacket very hot (paint blistered)</b>	*Broken refractory caused by shipping damage or improper combustion.....	Replace refractory panels
	Excessive sooting of heat exchanger .....	Determine cause of sooting and correct
<b>Takes too long to heat pool or spa</b>	Under-sized heater .....	Calculate heating capacity of heater $\frac{\text{Htr. output (BTUH)}}{\text{Pool gallonage} \times 8.33}$ or refer to heater sizing chart This does not take into account heat loss due to weather
	Filter not running long enough.....	Reset time clock
	Dirty filter .....	Clean filter
	Gas line or meter undersized .....	Refer to installation instructions
<b>Leaking at well</b>	Overacid .....	Replace well and maintain proper water chemistry
<b>Leaking at heat exchanger</b>	Overacid .....	Replace heat exchanger and maintain proper water chemistry
<b>Gasket brittle and leaking - (overheated)</b>	Heater running after pump shuts off.....	See Pressure Switch Adjustment
	Refractory damage.....	Replace refractory
	Sooted heater.....	Determine cause of sooting and correct

\* Indicates symptom which usually occurs on initial start-up.

# P-106 Control Logic Flow Chart



# P-156 Control Logic Flow Chart



## Diagnostic Readouts

**"Sensor Failure," "Sensor Open" or "Sensor Short" -**  
Temperature sensor out of range (replace sensor)

Sensor Failure								
Inspect thermister, wires, and connector at Terminal P1 Check resistance value of the thermister. Reference to chart below. Replace thermister if not within 10% of values shown below. If okay, replace Circuit Board.								
Sensor resistance at various temperatures								
Temp Degrees F	40	50	60	70	80	90	100	106
Temp Degrees C	4.4	10	15.6	21.1	26.7	32.2	37.8	41.1
Resistance (k)	261.1	199.0	153.1	118.8	93.0	73.3	58.3	51.0
If okay, replace Circuit Board								

- "Water Sw Open"** Pressure switch. Verify water flow and pressure  
CLEAN FILTER / STRAINER - backwash if necessary.
- "Hi Limit 1 Fault"** High limit switch. Verify water flow. Inspect internal  
Thermostat (Unitherm Governor) and bypass valve.
- "Hi Limit 2 Fault"** High limit switch. Verify water flow. Inspect internal  
Thermostat (Unitherm Governor) and bypass valve.
- "Rollout Sw Open"** Rollout Sensor - Check for blocked heat exchanger and soot.  
Atmospheric Units - Replace fusible link.  
Lo NOx Units - Press manual reset button.
- "Clock/Fireman Sw"** Fireman or Remote switch connected to safety loop is in the  
OFF mode.
- "Vent/Field Sw #1"** Vent switch open. Check connections to the board.  
If extractor installed, troubleshoot extractor.
- "Ignition Lockout"** Ignition lockout. Check power at pilot valve. Check spark (bad  
ignition circuit or hi-tension wire). Verify clean pilot orifice and  
clearance from igniter to ground hood.
- "Ignition Failure"** Ignition failure. Verify gas to the heater. Verify valve operation  
(gas present at tube fitting).

## 9. QR CODES

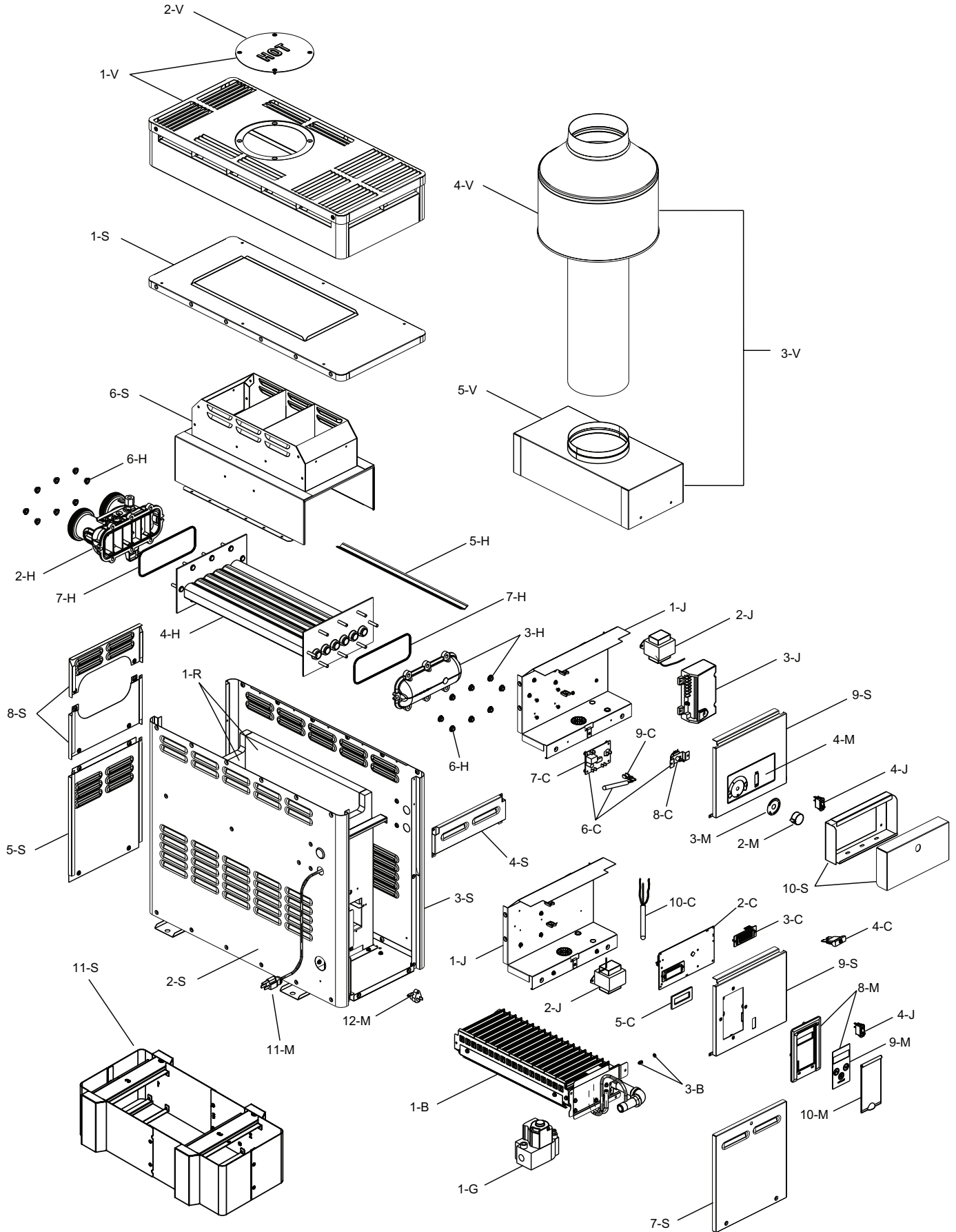
View this Installation Manual on your smart device.

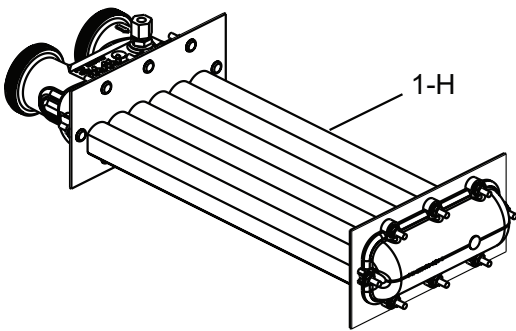
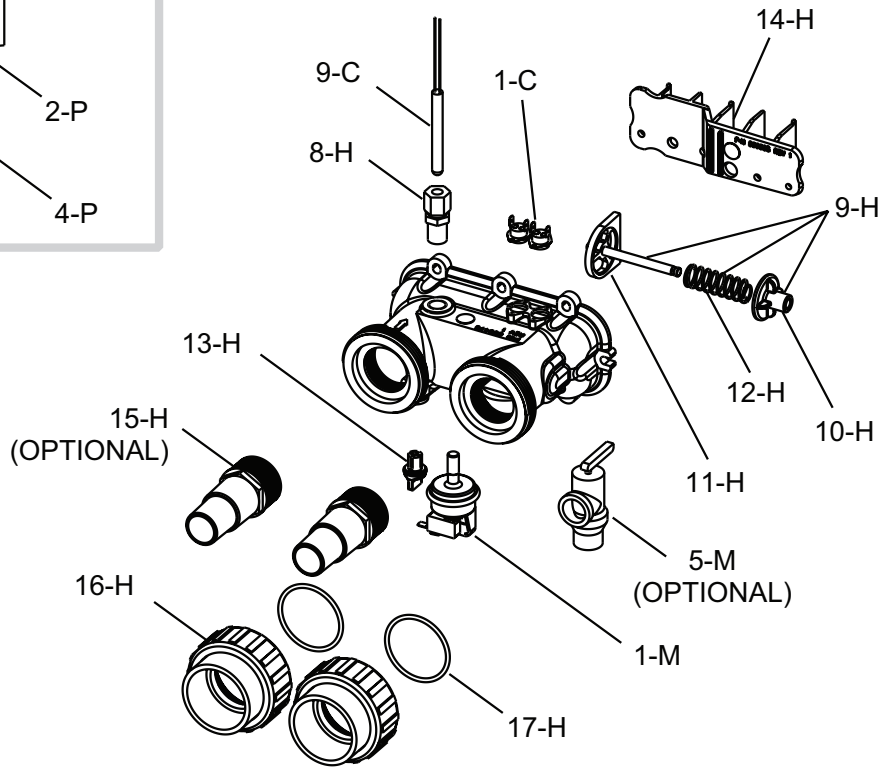
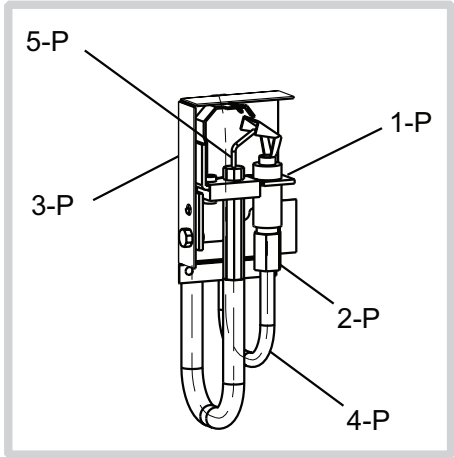
This QR Code will take you to the most current version of the manual. Previous versions of manuals can be found in the document library at [Raypak.com](http://Raypak.com).

P/N: 241519 Atmospheric 106-156



# 10. ILLUSTRATED PARTS LIST





CALL OUT	DESCRIPTION	106A	156A
<b>B</b>	<b>BURNER TRAY</b>		
1-B	Burner Tray (Sea Level)* Natural Gas Propane Gas	014841F 014845F	014842F 014846F
	Burner Tray w/Gas Valve (Sea Level)* Natural Gas Propane Gas	014849F 014853F	014850F 014854F
2-B	Burner	N/A	N/A
3-B	Burner Orifice (Sea Level)* Natural 1.30mm Propane .84mm	014857F/13 014861F/13	014858F/19 014862F/19
<b>C</b>	<b>CONTROLS</b>		
1-C	Thermostat Auto Reset 135° Surface Mount	006725F	006725F
2-C	P.C. Board/Control (Digital)	N/A	100-10000345
3-C	LCD Display (For units Manufactured up to 1/2023)	N/A	013640F
4-C	Fuse 5 AMP	N/A	013733F
5-C	Seal Gasket	N/A	014866F
6-C	Thermostat Control (Analog)	011585F	N/A
7-C	P.C. Board	014923F	N/A
8-C	Potentiometer	011586F	N/A
9-C	Temperature Sensor Analog (2-Wire)	011587F	N/A
10-C	Temperature Sensor Digital (3-Wire)	N/A	009577F
<b>G</b>	<b>GAS VALVE</b>		
1-G	Combination Valve Nat. Combination Valve Pro.	014867F 014868F	014867F 014868F
<b>H</b>	<b>HEAT EXCHANGER</b>		
1-H	Heat Exchange Assy Copper	014869F	014870F
2-H	Inlet/Outlet Header Complete Inlet/Outlet Header (Includes 6-H)	011594F 011595F	015547F 011595F
3-H	Return Header (Includes 6-H)	011596F	011596F
4-H	Tube Bundle Copper **	014874F	014875F
5-H	Baffle (Cupronickel)	N/A	N/A
6-H	Flange Nut Kit	008259F	008259F
7-H	O-Ring Gasket (2)	011600F	011600F
8-H	Sensor Adapter	006714F	006714F
9-H	Bypass Kit	011601F	015548F
10-H	Bypass Valve	006716F	006716F
11-H	Bypass Dam / Shaft	006717F	006717F
12-H	Bypass Spring	011602F	011602F
13-H	Drain Plug	006721F	006721F
14-H	Inlet/Outlet Header Dam	014882F	014882F
15-H	Hose Adapter 1-1/2" MPT x 1-1/2" Hose (Optional)	011635	011635
16-H	2" CPVC Connector & Nut (2)	006723F	006723F
17-H	O-Ring Seal (2)	006724F	006724F
<b>J</b>	<b>CONTROL BOX</b>		
1-J	Control Box Analog (Includes 7-C) Natural Gas Propane Gas	014883F 014913F	N/A N/A
2-J	Transformer 120/240/24V Analog Digital	011605F N/A	N/A 006736F
3-J	Ignition Control Natural Gas (Analog) Ignition Control Propane Gas (Analog)	004817B 004818B	N/A N/A
4-J	Rocker Switch	009493F	009493F

**\*FOR ALTITUDES ABOVE 2,000 FEET ABOVE SEA LEVEL, CONSULT THE FACTORY.**

\*\* **WARNING:** The Hydraulic conditions or water chemistry that caused the tube bundle to fail have very likely also damaged the bypass valve. We recommend you inspect the bypass assembly. Failure to do so could cause premature failure of this replacement part.

CALL OUT	DESCRIPTION	106A	156A
<b>M</b>	<b>MISCELLANEOUS COMPONENTS</b>		
1-M	Pressure Switch 1.75 PSI	006737F	006737F
	Pressure Switch 11 PSI Special-See Adj. in Service Manual	009133F	009133F
2-M	Thermostat Knob	009499F	009499F
3-M	Knob Stop	006886F	006886F
4-M	Dial Plate (Analog)	014912F	N/A
5-M	PRV 125 PSI (Optional)	008091F	008091F
6-M	Delimiting Kit (not shown)	052871F	052871F
7-M	Wire Harness Analog (not shown)	014884F	N/A
	Wire Harness Digital (not shown)	N/A	014885F
8-M	Control Bezel Digital (Includes Switch Decal)	N/A	014886F
9-M	Switch/Decal-Membrane	N/A	014887F
10-M	Control Bezel Cover	N/A	014888F
11-M	Line Cord	011609F	011609F
12-M	Roll-Out Safety Switch	005899F	005899F
13-M	Touch-up Paint		
	Cool Dark Gray	750256	750256
	Warm Dark Gray	750258	750258
14-M	Gas Line Finish Flange	016160F	016160F
<b>P</b>	<b>PILOT</b>		
1-P	Pilot Nat.	002003F	002003F
	Pilot Pro.	002003F	002003F
2-P	Pilot Orifice Nat.	003903F	003903F
	Pilot Orifice Pro.	004308F	004308F
3-P	Pilot Mounting Bracket	014889F	014889F
4-P	Pilot Tube	004078F	004078F
5-P	Hi Tension Wire w/Pilot Electrode	N/A	N/A
<b>R</b>	<b>REFRACTORY</b>		
1-R	Refractory Kit	014890F	014891F
<b>S</b>	<b>SHEETMETAL</b>		
1-S	Jacket Top	014892F	014893F
2-S	Jacket Left	014894F	014895F
3-S	Jacket Right	014896F	014897F
4-S	Jacket Upper Front	014898F	014898F
5-S	Jacket Lower Rear	014899F	014899F
6-S	Flue Collector	014900F	014901F
7-S	Door Panel		
	Raypak	014902F	014902F
	Rheem	014903F	014903F
	Ruud	014902F	014902F
8-S	Access Panels	014904F	014904F
9-S	Control Panel		
	Analog	014905F	N/A
	Digital	N/A	014906F
10-S	Control Cover		
	Analog	014778	N/A
	Digital	N/A	N/A
11-S	Base Riser (Canada Only)	019342F	019342F
<b>V</b>	<b>VENTING</b>		
1-V	Stackless Top (Outdoor)	014907F	014908F
2-V	Access Panel (Hot)	014909F	014909F
3-V	Drafthood w/Adapter (Indoor)	014357	014358
	Outdoor Stack w/Adapter (Outdoor)	014718	014719
4-V	Stack	N/A	N/A
5-V	Stack Adapter	014910F	014911F
<b>CONVERSION KITS**</b>		<b>106A</b>	<b>156A</b>
<b>For Altitudes Over 2,000 Feet Above Sea Level, Consult Factory.</b>			
Natural to Propane			
	Copper Heat Exchange	014914F	014915F
	Cupronickel Heat Exchanger	N/A	N/A
Propane to Natural			
	Copper Heat Exchange	014918F	014919F
	Cupronickel Heat Exchanger	N/A	N/A
	Decal	100-10001010	100-10001010

\*\* Gas Conversions are to be done only by a qualified agency.

## NOTES

---