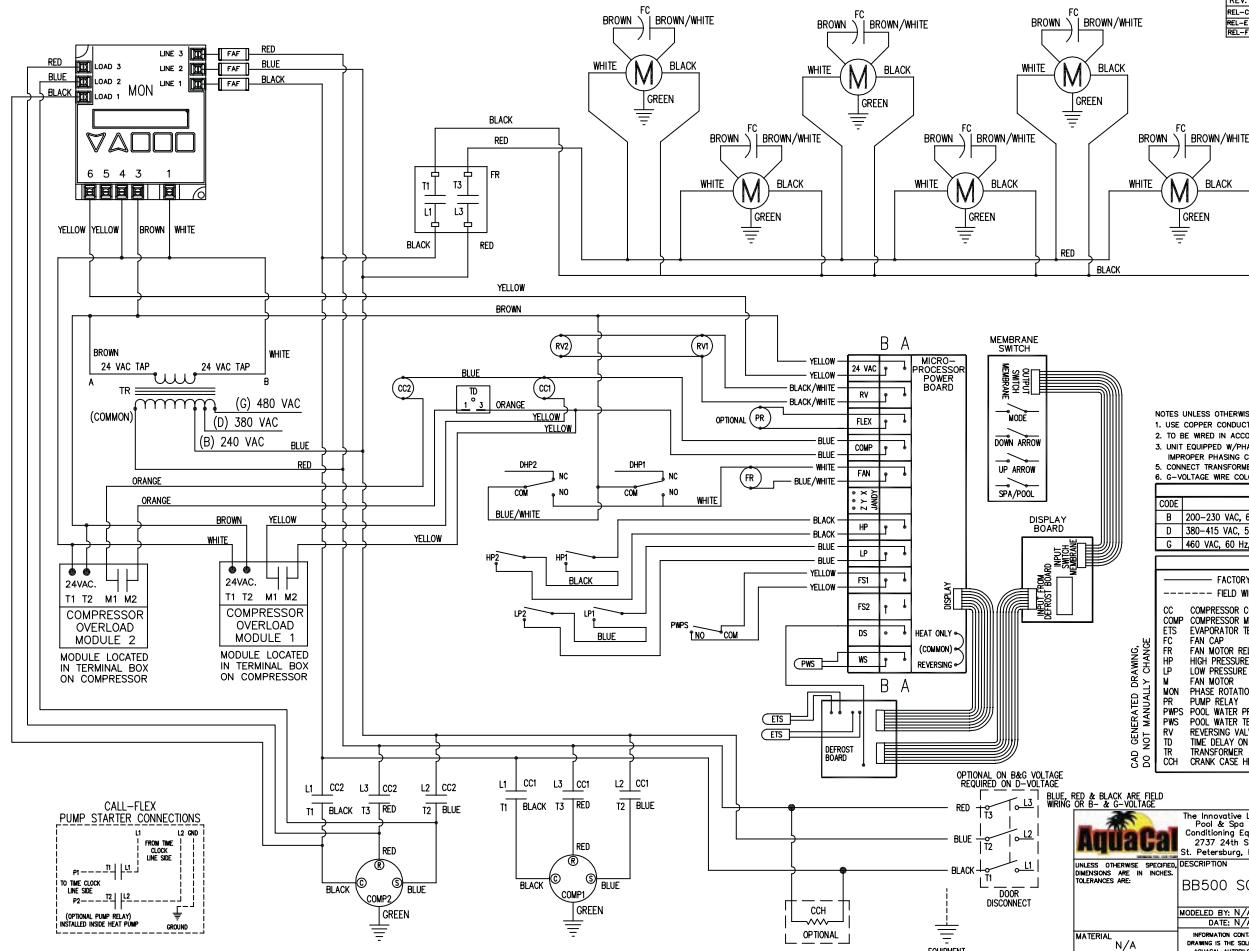


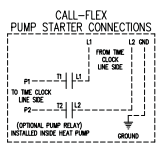
| REVISIONS | | | |
|-----------|--------------------------------------|-----|-----------|
| REV. | DESCRIPTION | CHG | DATE |
| REL-C | REDRAWN ON B-SIZE | DKS | 9/30/11 |
| REL-4 | ADD DEFROST BOARD, PUMP/SPAS | TD | 10/26/13 |
| REL-7 | REMOVED PHASE ROTATION MONITOR NOTES | TD | 1/22/2014 |



- NOTES UNLESS OTHERWISE SPECIFIED
- USE COPPER CONDUCTORS ONLY.
 - TO BE WIRED IN ACCORDANCE WITH NAT'L. ELEC. (NEC) & LOCAL CODES.
 - UNIT EQUIPPED W/PHASE ROTATION MONITOR. IMPROPER PHASING CAUSES IMPROPER COMPRESSOR OPERATION.
 - CONNECT TRANSFORMER TO CORRECT VOLTAGE.
 - G-VOLTAGE WIRE COLORS MAY DIFFER.

| VOLTAGE CODES | |
|---------------|--|
| B | 200-230 VAC, 60 HZ, 3Φ-USE 240 VAC TRANSFORMER TAP |
| D | 380-415 VAC, 50 HZ, 3Φ-USE 380 VAC TRANSFORMER TAP |
| G | 460 VAC, 60 HZ, 3Φ-USE 480 VAC TRANSFORMER TAP |

| LEGEND | | | |
|--------|------------------------------------|---|------------------|
| — | FACTORY WIRING | X | BLACK WIRE |
| ---- | FIELD WIRING | R | RED WIRE |
| CC | COMPRESSOR CONTACTOR | B | BLUE WIRE |
| COMP | COMPRESSOR MOTOR | G | GREEN WIRE |
| EIS | EVAPORATOR TEMPERATURE SENSOR | W | WHITE WIRE |
| FC | FAN CAP | Y | YELLOW WIRE |
| FR | FAN MOTOR RELAY | E | ORANGE WIRE |
| HP | HIGH PRESSURE SWITCH (REFRIGERANT) | N | BROWN WIRE |
| LP | LOW PRESSURE SWITCH (REFRIGERANT) | L | BLACK/WHITE WIRE |
| M | FAN MOTOR | C | BLUE/WHITE WIRE |
| MON | PHASE ROTATION / VOLTAGE MONITOR | | |
| PR | PUMP RELAY | | |
| PWS | POOL WATER PRESSURE SWITCH | | |
| PWS | POOL WATER TEMPERATURE SENSOR | | |
| RV | REVERSING VALVE | | |
| TD | TIME DELAY ON WAKE | | |
| TR | TRANSFORMER | | |
| CCH | CRANK CASE HEATER | | |



The Innovative Leader in Pool & Spa Water Conditioning Equipment

2737 24th St. No. 11
St. Petersburg, FL 33713

AUTOPILOT SYSTEMS

SALE CHLORINE GENERATORS

UNLESS OTHERWISE SPECIFIED, DIMENSIONS ARE IN INCHES. TOLERANCES ARE:

BB500 SCHEMATIC, B,D&G-VOLT, R-410A

| | | | | |
|----------|-----|---------------|--------------|--------------------------|
| MATERIAL | N/A | DATE: N/A | DRAWN BY: TD | PROJECT ENGRS/DWD BY: -- |
| FINISH | N/A | DATE: 5/23/13 | DRAWN BY: TD | PROJECT ENGRS/DWD BY: -- |

LTMO214

| | | | |
|----------------------|---------|-----------|--------------|
| SCALE: PWP SIZE | N/A | REVISION | REL-C |
| DO NOT SCALE DRAWING | LTMO215 | CAD FILE: | SHEET 1 OF 1 |

Last Revision: 01/28/11

Model BB500BRDSBPA