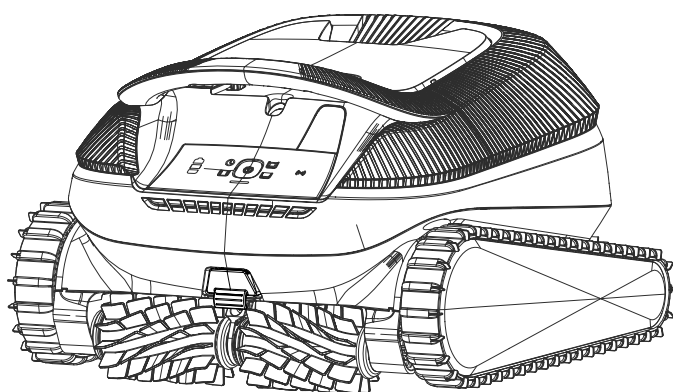


Robotic Pool Cleaner EON

EON 100 / 120d

Original User Instructions



EON 100 / 120d

Cordless Robotic Pool Cleaner

User Instructions

Content

Safety Instructions

- 1. What's in the Box 5
 - 1.1 Getting Started..... 6
 - 1.2 Removing the Robot from the Pool 7
 - 1.3 Cleaning the Filter Basket..... 7
 - 1.4 Impeller Cleaning..... 7
 - 1.5 Charging Recommendations..... 8
 - 1.6 Water Conditions..... 8
 - 1.7 Product Specifications..... 8
- 2. [Steps Cleaning](#) 9
- 3. [Periodic Cleaning](#) 9
- 4. [Maytronics One™ App User Guide](#)..... 10
 - 4.1 Getting Started with the Maytronics One™ App 10
- 5. [Activate the Pool Cleaner Using your Mobile Phone](#) 10
 - 5.1 Maytronics One™ App Features Guide 10
 - 5.2 Setting a preferred Homing Wall 11
- 6. [Maytronics One™ Troubleshooting](#) 11
- 7. [Robotic Pool Cleaner Troubleshooting](#) 12
- 8. [Off-Season Storage](#)..... 12
- 9. [Contact Maytronics Customer Care](#) 13

IMPORTANT SAFETY INSTRUCTIONS

READ AND FOLLOW ALL INSTRUCTIONS

Please adhere strictly to following WARNINGS:

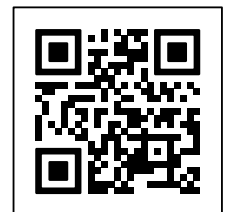


1. If the charger is damaged, including falling into the water, quickly and safely disconnect it from the power outlet. Do not use a charger that has been damaged.
2. Remove the robotic pool cleaner from the pool before allowing people to enter the pool.
3. When examining the robotic pool cleaner, make sure the robotic pool cleaner is switched OFF.
4. Charge the battery only in the temperature range between 6°C to 35°C / 43 °F to 95 °F.
5. Keep the robotic pool cleaner out of the reach of children or persons with reduced physical, sensory, or mental capabilities, or lack of experience and knowledge, unless they have been given supervision or instruction.
Cleaning and maintenance shall not be done by children.
6. Use only the original battery charger.
7. The battery charger must be supplied through a power circuit protected by a residual current device (RCD) having a rated residual operating current not exceeding 30mA.
In North America: The battery charger must be connected only to a supply circuit that is protected by a ground fault circuit interrupter (GFCI). This GFCI should be tested on a routine basis. To test the GFCI, push the test button. The GFCI should interrupt power. Push the reset button. Power should be restored. If the GFCI fails to operate in this manner, the GFCI is defective. If the GFCI interrupts power to the battery charger without the test button being pushed, a ground current may be flowing, indicating the possibility of an electric shock. Do not use the battery charger. Disconnect the battery charger and contact the manufacturer for assistance.
8. Only an original power cord must be used, at all times. If the power cord is damaged, stop using the battery charger and contact the service center for repair. Do not use extension cord to connect the battery charger to electric supply; provide a properly located outlet.
9. DO NOT USE the robotic pool cleaner and/or its battery / power pack in case of mechanical damage to the robotic pool cleaner and/or its battery.
10. To avoid the risk of fire and burns, DO NOT open, crush, heat, or burn the battery case.

Please ensure that the following CAUTIONS are implemented:



1. For continuous protection against possible electric shock, place the battery charger at least 11 cm / 4" above ground.
2. Position the battery charger at least 3 m / 10ft from pool edge during operation.
3. When cleaning the impeller, connect and power ON the charger to keep the robot's motors disabled. As an additional safety measure, insert a screwdriver into the hole near the handle. Scan the QR code for instructions.
4. Keep hands and fingers away from impeller motor area and driving belt mechanism to avoid injury.
5. When lifting the robotic pool cleaner, take care to prevent back injury.
6. Do not use the robotic pool cleaner if you have added liquid flocculant or any other clarifier to the pool water. These substances obstruct and damage the robot filters.



Impeller blades hazard



WARNING



Read User Instructions before servicing



The Lithium-Ion battery in this product is non-replaceable. It should be recycled at certified battery electronics recyclers that accept batteries. Batteries should NOT be discarded in the trash or put in municipal recycling bins. Do not disassemble the battery.

SPECIFICATIONS

Robot

- Motor and Power Pack protection: IPx8
- Minimum depth: 20 cm / 8"
- Maximum depth: 3 m / 10 ft
- Radio communication:
 - Bluetooth®: 2402-2480MHz, BLE max 5mW
 - Wi-Fi®: 2412-2472MHz, 71mW
- Water Temperature 5°C – 35°C / 41°F to 95°F

Battery Charger

- Protection: IP54
Rainproof -
Not suitable for
immersion, heavy rain, or
strong hose
- Input: 100-240VAC, 50-60Hz, 2.5A
Output: 29.4VDC, 3.3A

This product complies with EU Directives 2014/35/EU, 2014/53/EU, 2014/30/EU, RoHS and REACH.

For full information, please contact us at

<https://www.maytronics.com/global/support/contact-us/>

and ask for the EU Declaration of Conformity.

ENVIRONMENTAL INFORMATION

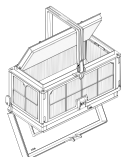
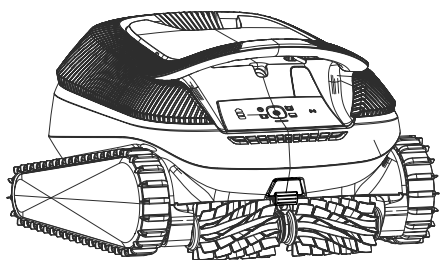
Processing of electrical and electronic equipment after their period of use (Only applicable in the E.U.). Our goods are designed and manufactured using top quality materials and components, which are environment-friendly and which can be reused and recycled. This symbol, marked on the equipment or packaging, means that this equipment can not be processed as normal domestic waste. You should hand it in to the technician who installs the new equipment or at special collection points for electric and electronic equipment. Recycling this equipment does not cost you anything and by separating it from other waste you are helping to prevent negative consequences for the environment and for people's health by avoiding incorrect handling.

Help us to preserve the Environment. Thank you.

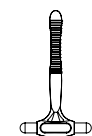
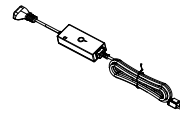
For detailed information on how to correctly dismantle this equipment for recycling, please contact the nearest Dolphin dealer or search for an authorized distributor in Maytronics web site www.maytronics.com

SAVE THESE INSTRUCTIONS

1. What's in the Box



DebrisLock™ or Monoblock filter basket



Clicker (optional)



Grab hook

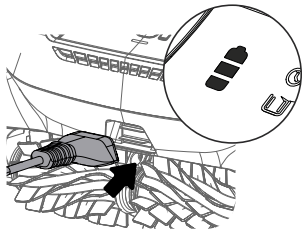
Maytronics One™ Mobile App

You can customize the robot's settings, such as UltraRun Mode cleaning schedules and Homing to park at your chosen wall.

You can also check the battery status, view cleaning history, and troubleshoot issues.



1.1 Getting Started



1. Connect the charger until the battery indicators are all solid green.

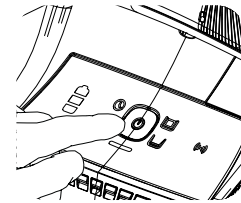
After charging, place the rubber seal to keep the charging connection clean.



Apple

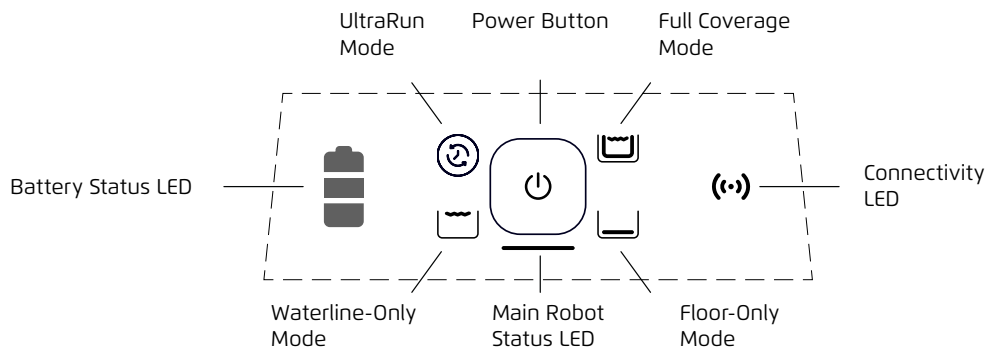


android



3. Short-press the power button to activate. The robot will start working after you put it in the water.

2. Download the Maytronics One™ app and follow the instructions to enjoy all of the features. The phone can connect with the robot when it's out of the water. It can pair automatically up to an hour after the end of the cycle, or whenever it is charging.



Cleaning Mode Selection

Turn the robot ON, then select the desired cleaning mode by pressing the button briefly.

The Lights will indicate the selected mode:

UltraRun Mode - Multiple shorter cycles on one battery charge. Select your UltraRun settings in the mobile app Maytronics One™.

Full Coverage Mode - Cleans the floor, walls, waterline, steps, and sun-ledge.

Floor-Only Mode - Focuses on the pool floor.

Waterline-Only Mode - Focuses on the waterline.

* Additional cleaning modes are available in the app.

Main Robot Status Light Indications

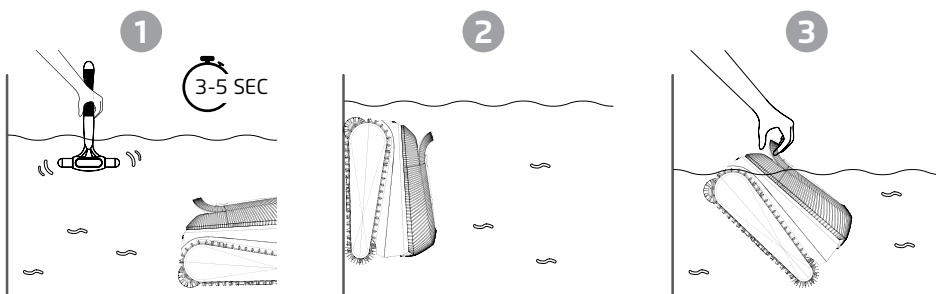
The LED under the robot's button gives key indications:

Color	Status	Meaning
Blue	Constant	ON, waiting to be put into the water
Blue	Blinking	The robot is working in the water
Green	Blinking	Working in UltraRun Mode or climbing to be taken out
Yellow	Constant	The filter is full
Red	Blinking	Error - check the app for instructions

1.2 Removing the robot from the pool

ClickUp™

After the end of the cycle, when you shake the Clicker in the water for 3 - 5 seconds, it climbs to you. In the middle of a cycle, shaking the Clicker will stop the robot. Shaking it again will cause it to climb up to be removed.

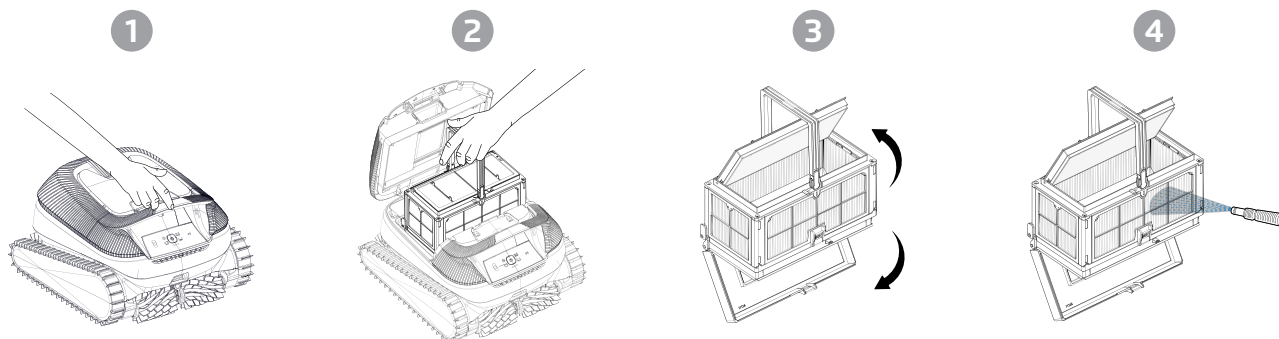


Please note: Using the Clicker in **UltraRun Mode** to remove the robot from the pool will cancel scheduled cycles - start **UltraRun Mode** again before returning the robot to the pool.

Grab hook - Pull the robot to the waterline, then grab it with your hand to pull it out of the water.

1.3 Cleaning the Filter Basket

To prevent debris from hardening on the filter, we highly recommend quick-rinsing the filter immediately after removing the robot from the pool.



* If you have a DebrisLock™ filter, rinse both chambers of the filter (as shown above).

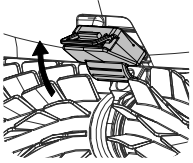
1.4 Impeller Cleaning

If you need to clean debris from the impeller, scan this QR code for the instructional video. If it doesn't help, contact Customer Care via the app or Maytronics website.



1.5 Charging Recommendations

- We recommend charging the robot immediately after removing it from the water so it will be ready when you need it.
- **Charge the robot in a shaded location.** If LEDs alternate between the middle and outer LEDs, move the robot to a shaded area between 6°C to 35°C / 43°F to 95°F.
- **Always charge the robot in a dry location;** while the charger is splash proof, exposure to strong water streams can cause damage.
- **Keep charging port clean and dry** - After charging, protect the charging port by placing the rubber seal.



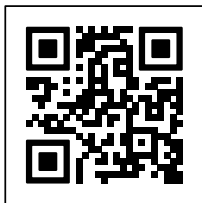
1.6 Water Conditions

For best results and to protect the robot's parts, use the robot in the following conditions only:

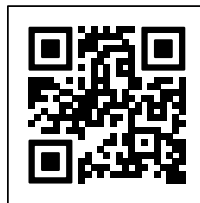
- Water temperature range: 5°C - 35°C / 41°F - 95°F
- Water depth range: 20 cm-3 m / 8"-10 ft
- Chlorine - 4 ppm, Max.
- pH - 7.0-7.8
- NaCl - 5000 ppm, Max.

1.7 Product Specifications

- Robot protection: IPX8
- Charger protection: IP55
- App connectivity - Bluetooth® & Wi-Fi®
- Water depth range: 20 cm-3 m / 8"-10 ft
- Motor protection: IPX8
- Battery Lithium-ion | 9600mAh | 25.5VDC | 245.28Wh
- Radio communication:
 - Bluetooth® 5.0 - 2402-2480 MHz - Maximum power 5mW
 - Wi-Fi® - 2412 - 2484 MHz - Maximum power 71mW



For more info:
Scan the QR to Maytronics' Manuals Site.



Register your warranty simply online.
Scan the QR code.
The serial number is behind the filter and in the app.

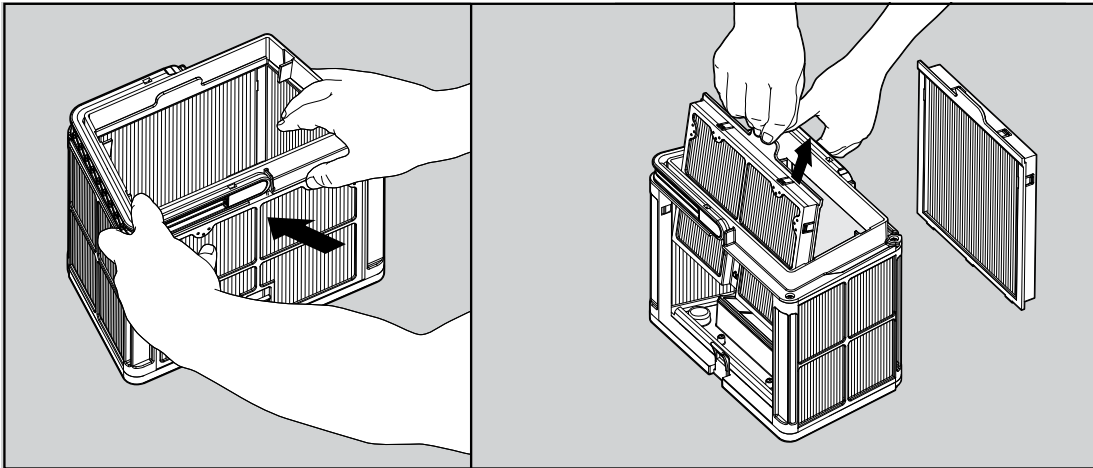
2. STEPS CLEANING

Steps Cleaning

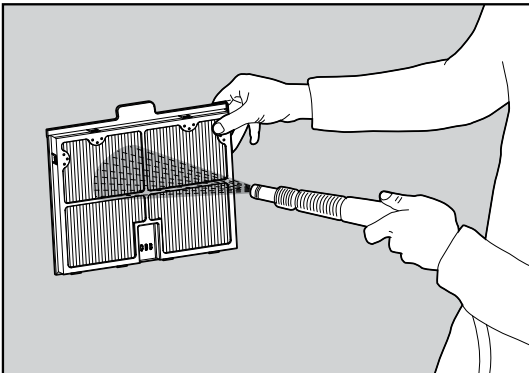
EON maximizes cleaning coverage by identifying and properly cleaning steps and sun-ledges. It does this automatically in the Full Coverage including in Full Coverage UltraRun schedule settings that you can select in the app.

3. PERIODIC CLEANING - RECOMMENDED ABOUT ONCE A MONTH

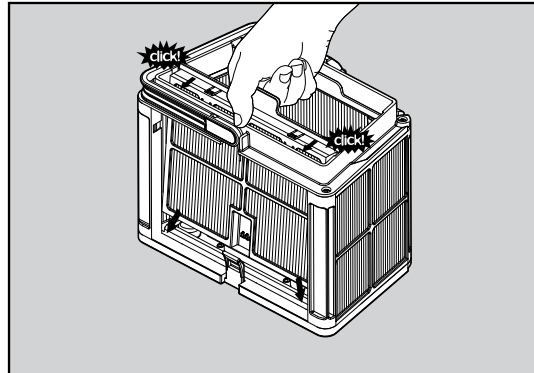
If you have the traditional filter basket or the DebrisLock backwashing filter, do the following periodically to deep clean (not relevant for monoblock filter). The DebrisLock filter also has a panel on top.



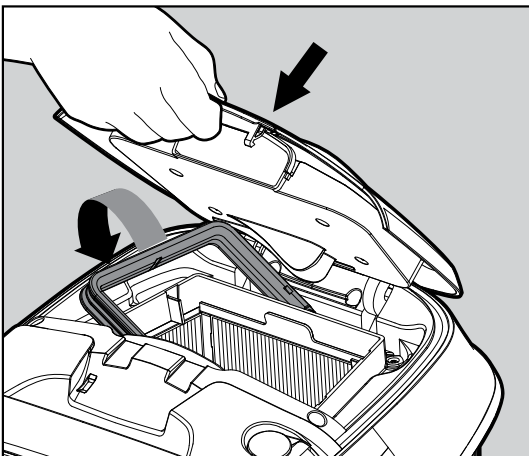
Dismantle the panels with your thumbs.



Clean the filter panels with a hose.



Re-assemble the filter panels.



Insert the clean filter basket and close the filter cover.

4. Maytronics One™ APP USER GUIDE

App features: You can customize the robot's settings, such as UltraRun Mode schedules and Homing to park at your chosen Homing wall, or select your preferred cleaning path pattern. You can also check the battery status, view last cleaning cycle, troubleshoot issues independently, contact support, and order accessories or parts.

Connection options: First, the robot connects to your phone via Bluetooth®, then to Wi-Fi® for added features like auto-updates, smoother customer service, and remote status checks.

Note that while the robot is in the water, the app cannot control or communicate with it.

To reconnect, remove the robot and press the power button or connect the charger.

4.1 Getting Started with the Maytronics One™ App

1. Ensure Bluetooth® is enabled on your smartphone.
2. Download the app.
3. Press and hold the power button for 3 seconds to start pairing.
4. Start the app, sign up, and enter the validation code that is sent to your email.
5. Follow instructions in the app to connect via Bluetooth®.
6. Connect via Wi-Fi® for more features.
7. After removing from water, to re-establish a connection between the robot and app, either press the power button or connect the charger. Also, it will automatically connect an hour after removing the robot with the Clicker.
8. Up to 1 user can connect at a time via Bluetooth®, but up to 5 users can connect to the robot via Wi-Fi®. You can unpair irrelevant users in the settings.

5. ACTIVATE THE POOL CLEANER USING YOUR MOBILE PHONE

5.1 Maytronics One™ App Features Guide



Starting the Pool Cleaner Via the App

Tap **Clean** and place the robot in the water. You will get a notification when the cycle has finished if you start the pool cleaner via the app.



UltraRun Mode Cleaning Scheduler

To keep the pool clean for 1-2 weeks on one charge, select UltraRun Mode and leave the robot in the pool. You can select which UltraRun Mode cleaning schedule you prefer in the app.

At the end of the schedule period, take the pool cleaner out to rinse the filter basket and recharge the battery.



Cleaning Mode Selection

Turn the robot ON, then select the desired cleaning mode by pressing the button briefly.

The Lights will indicate the selected mode:

UltraRun Mode - Multiple shorter cycles on one battery charge.

Full Coverage Mode - Cleans the floor, walls, waterline, steps, and sun-ledge. Recommended when pool is dirty.

Floor-only Mode - Focuses on the pool floor.

Waterline-only Mode - Focuses on the waterline.

* Additional cleaning modes are available in the app.

- Smart - Learns your pool and adjusts path pattern and times accordingly
- Cove - Cleans hard to reach curve between floor and wall
- UltraClean (Turbo) - Extra suction, works until the battery is empty



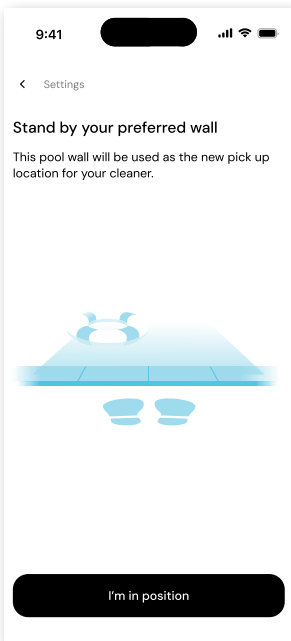
Robot Error Notification

If there was an error, the app home screen will show the last error. Tap and the app will guide you to troubleshoot the problem.

The app is compatible with the following smart devices:

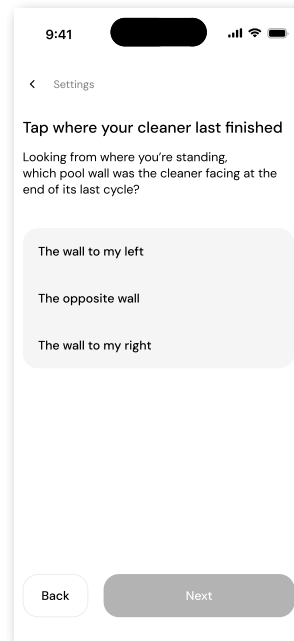
- Apple (iOS) – version 10 and up – iPhone, iPad, iPod
- Android – version 5 and up operating system

5.2 Setting a preferred Homing wall



At the end of the robot's cleaning cycle, **remember which wall the robot stopped at and waited to be taken out.** This is the current Homing wall where the robot is set to wait to be taken out.

If you want to change the Homing wall, **stand next to your preferred pool wall**, facing the pool. Tap the 3 dots on the home screen for settings. Select "Homing wall". Tap **"I'm in position"**.



Select the wall where the robot finished it's last cycle. If the pool is not rectangular, select approximately where the robot parked.

NOTE: This feature works with a compass. The robot will home in on the approximate location selected according to the compass.

6. Maytronics One™ - TROUBLESHOOTING

Symptom	Possible reason	Corrective action
Cannot pair the Maytronics One™ app to the robotic pool cleaner.	<ul style="list-style-type: none"> The Bluetooth® on one of your devices is either OFF or not in pairing mode. The mobile phone is too far from the robot. Mobile phone location is OFF. You did not give the required permissions when installing the app. Battery is too low. 	<ul style="list-style-type: none"> Turn the Bluetooth® OFF and on in your smartphone. For iOS – Go to settings → Bluetooth®. Get closer to the robot. Turn mobile phone location ON Fully charge the robot Check that the robot's charger is connected well and that your mobile phone's Bluetooth® is searching for nearby devices. Try uninstalling and reinstalling the Maytronics One™ app, and give all permissions. If it still doesn't find your robot, try restarting your mobile phone. If none of the above troubleshooting helps, contact wecare@maytronics.com
The Wi-Fi® doesn't stay connected. It works via Bluetooth® when near the robot, but loses Wi-Fi® frequently.	<ul style="list-style-type: none"> The Wi-Fi® router alternates between 2.4 and 5 GHz frequencies causing disconnection when the 2.4 one is lost. The Wi-Fi® signal is too weak to maintain a connection. 	<ul style="list-style-type: none"> The device connects only to the standard 2.4 GHz Wi-Fi® frequency. If you have a dual or quad band router, to prevent connectivity issues, split and give separate names to the 2.4 and 5GHz networks. Consult your internet provider or see online instructions for your specific router brand. If the signal near the power supply is not strong enough to easily stream an online video, consider installing a 2.4GHz Wi-Fi® extender.

Issue	Suggested Action
Robot does not turn ON from the app.	<ul style="list-style-type: none"> Make sure that the robot is charged with all three LEDs green. After turning it ON, place it in the water. It is designed not to work outside of the water.

7. ROBOTIC POOL CLEANER - TROUBLESHOOTING

Symptom	Possible reason	Corrective action
The robot does NOT start.	<ul style="list-style-type: none"> An object is stuck in the tracks or wheels. An object or hair is stuck in the impeller. The robot is not fully charged. The robot is out of the water. The red error indicator LED is ON. 	<ul style="list-style-type: none"> Carefully remove the object from tracks or wheels. Clean the impeller (see section 1.4). Charge the battery to 100% -3 green bars. Place the robot in the water within 30 seconds after starting it. Check app for error message and troubleshooting. If none of the above troubleshooting helps, contact wecare@maytronics.com
The robot is moving in circles.	<ul style="list-style-type: none"> Clogged filter basket. Debris stuck in the impeller housing or impeller cover. An object is stuck in the tracks or wheels. Algae buildup or pool water does not meet specifications. 	<ul style="list-style-type: none"> Clean the filter basket. It should be white and clean when touching. If it is brown or green, clean it with a hose. If it stays brown, it may be time for a replacement filter. Clean the impeller (see section 1.4). Carefully remove the object from tracks or wheels. Correct pool and water conditions.
The robot doesn't charge properly.	<ul style="list-style-type: none"> The wall power outlet isn't working. An object or dirt is preventing a proper connection between the charger and the robot. The robot is too hot or cold to be charged properly. It hasn't charged for enough time. 	<ul style="list-style-type: none"> The charger has a green LED when it gets electricity from the wall outlet. Test the power outlet with another device or try charging the robot from an outlet that works. Make sure that the charger connections are clean on the robot Charge in the shade or indoors. If summer, try charging at night. It can take up to 4.5 hours for a full charge.
The robot does not turn or moves in one direction only.	<ul style="list-style-type: none"> Debris stuck in the impeller housing or impeller cover. 	<ul style="list-style-type: none"> Clean the impeller (see section 1.4).
The robot moves but does not clean the pool.	<ul style="list-style-type: none"> Clogged filter basket. Debris stuck in the impeller housing or impeller cover. 	<ul style="list-style-type: none"> Clean the filter basket. It should be white. If it is brown or green, clean it with a hose. Clean the impeller (see section 1.4).
The robot does not climb up the walls.	<ul style="list-style-type: none"> The filter is too full to allow proper jet propulsion up the wall. Debris is stuck in the impeller housing. Algae on walls. Unsuitable pH level. 	<ul style="list-style-type: none"> Clean the filter and make sure that there is nothing stuck in the impeller. The filter should be white. If it is brown or green, clean it with a hose. Clean the impeller (see section 1.4). Check the level of chemicals in the water. Improper levels may allow the growth of algae, making the walls slippery. If so, adjust the levels and scrub the walls.
Robot is not waiting at the waterline when I arrived. It is standing near a wall.	At the end of each cycle, the robot waits on the floor next to its Homing wall.	<ul style="list-style-type: none"> When shaking the Clicker in the water for over 3-5 seconds, the robot will climb and wait for 1 minute. The ClickUp™ feature is available for up to 14 days after a normal 2 hour cycle if the battery was full when started. After UltraRun Mode or if the battery wasn't full when started, the ClickUp™ feature is available for at least 2 days. If the robot is not taken out after 1 minute of waiting, it will climb down and turn to face another wall. The next time you use the Clicker in the water, the robot will climb up a different wall.

If this troubleshooting guide didn't solve your problem contact Customer Care: wecare@maytronics.com

8. OFF-SEASON STORAGE

Before off-season storage - we recommend charging the battery to about 50% (2 green bars in the battery indicator panel).

Recommended storage temperature range: -10°C - 40°C / 14°F - 104°F.

Storing the robot in a hot location will likely damage the battery.

After off-season storage, charge the robot to its fullest.

9. CONTACT MAYTRONICS CUSTOMER CARE:

North America

- ☎ US 1-888-365-7446
- ☎ Canada 1-855-634-8572
- ✉ customersupport@maytronicsus.com

France

- ☎ +33 (0)4 42 98 14 90
- ✉ support@maytronics.fr

Australia, NZ, South Africa

- ☎ 1 300 693 657
- ✉ infoau@maytronics.com

Rest of the world / Maytronics HQ

- ☎ 00 800 69694141 (toll free number)
- ☎ 00 972 77 96 14 204 (international call)
- ✉ wecare@maytronics.com