

# LITE STAR® NICHELESS UNDERWATER LED LIGHT



UL CERTIFIED  
SAFETY US-CA

## Energy efficient retrofit LED light



### FEATURES

Compact 1.5" nicheless design for simple installation

Rugged, leak-resistant housing

Bright, even LED illumination

Energy-efficient performance

Compatible with most automation systems

1 per case

U.S. Patents [www.aquastarpoolproducts.com/patents](http://www.aquastarpoolproducts.com/patents)



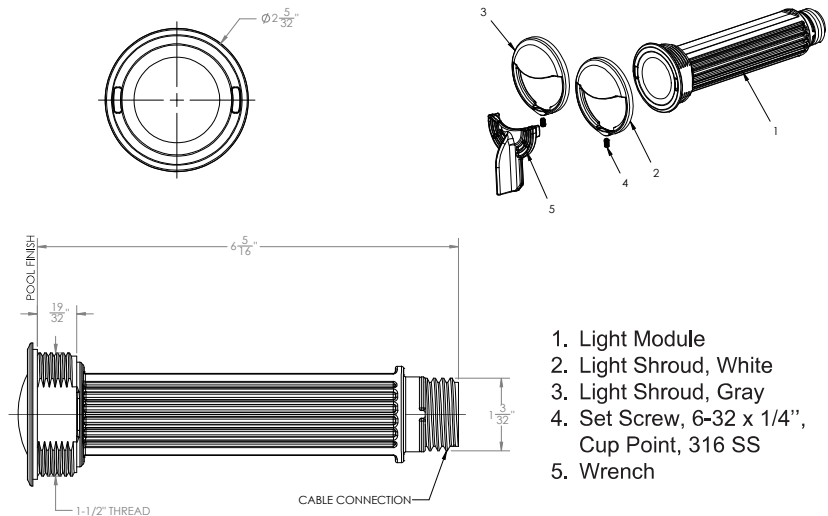
Includes white and light gray wall fittings that fit over 1.5" pipe and inside 2" pipe



**Quick-Connect Cord**  
*(Sold separately)*

For simple installation and replacement, available in 50, 100, 150 feet

Part # LS2-BLUE (Blue Light)  
Part # LS2-WHITE (White Light)  
Part # LS2-MULTI (RGBW Light)



P 877-768-2717 F 877-276-POOL Outside the US: P +1-949-336-1940 F +1-949-336-1940  
[info@aquastarpoolproducts.com](mailto:info@aquastarpoolproducts.com) [www.aquastarpoolproducts.com](http://www.aquastarpoolproducts.com) CS257-060526

# LITE STAR® LIGHT CORD ASSEMBLY



UL CERTIFIED  
SAFETY US-CA

Waterproof durable and reliable cord assembly



## FEATURES

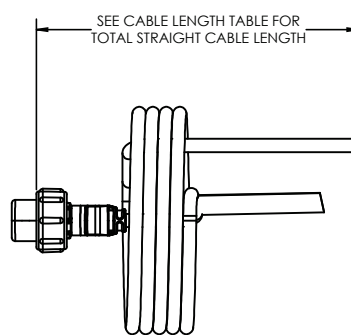
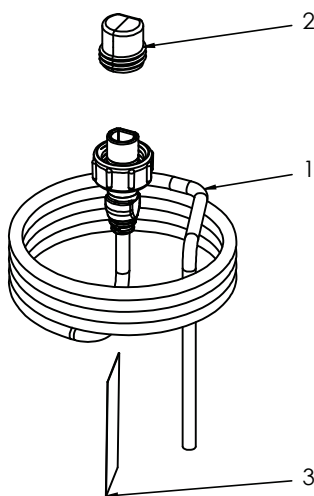
- For simple installation and replacement
- Waterproof connection
- Includes protective cap
- Compatible with all Lite Star models
- 1 per case



Part # LSA14-050 (50 feet)

Part # LSA14-100 (100 feet)

Part # LSA14-150 (150 feet)



1. Cable Connector Assembly
2. Protective Cap
3. Cord Label