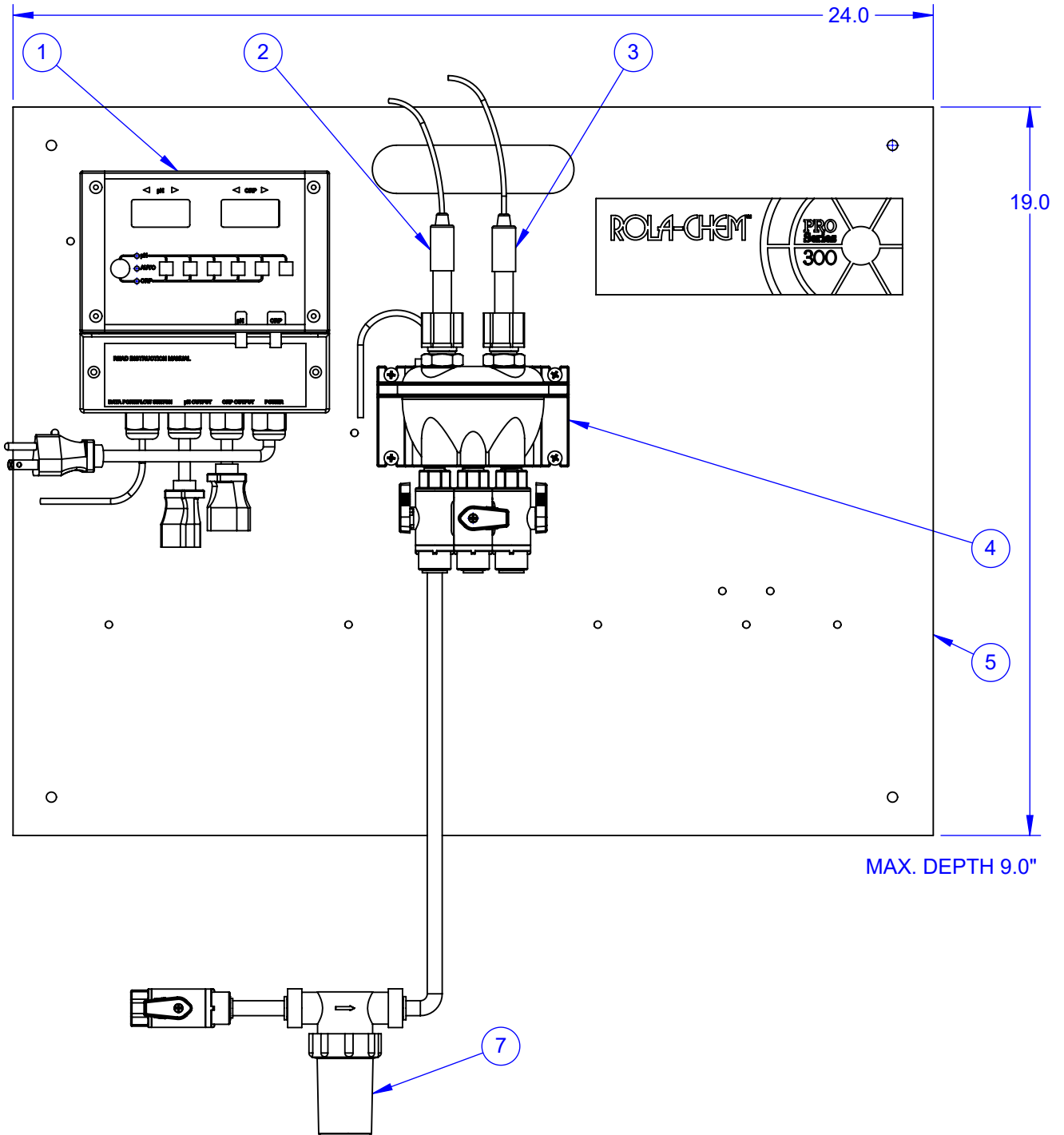


**554124**  
**554CONT(ORP-PH)/NO PUMP/BOARD**

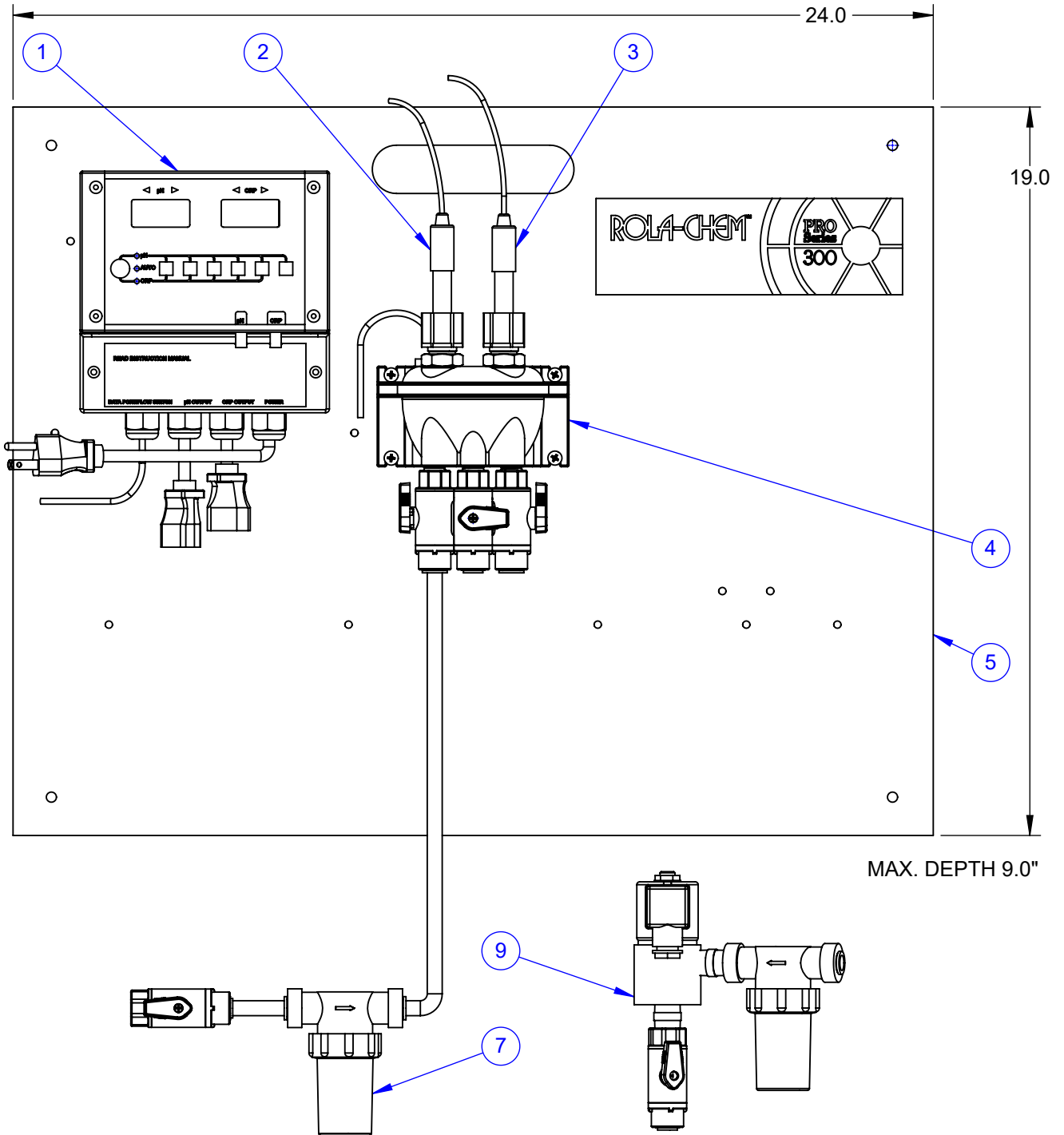


MAX. DEPTH 9.0"

554124 - 554CONT(ORP-PH)/NO PUMP/BOARD		
ITEM	PART NO.	DESCRIPTION
1	554100	DIG CONTROLLER-ORP/PH(810)
2	550208	PROBE,PH,HD,3FT CABLE
3	550209	PROBE,ORP,HD,3FT CABLE
4	550180	FLOWCELL,GLOBE,..375,W/GRD AS'Y
5	550158	BOARD-24X19,PUMP/CONTR MT,POLY
6	----	----
7	550592	STRAINER KIT,3/8 TUBE,SMALL
8	----	----

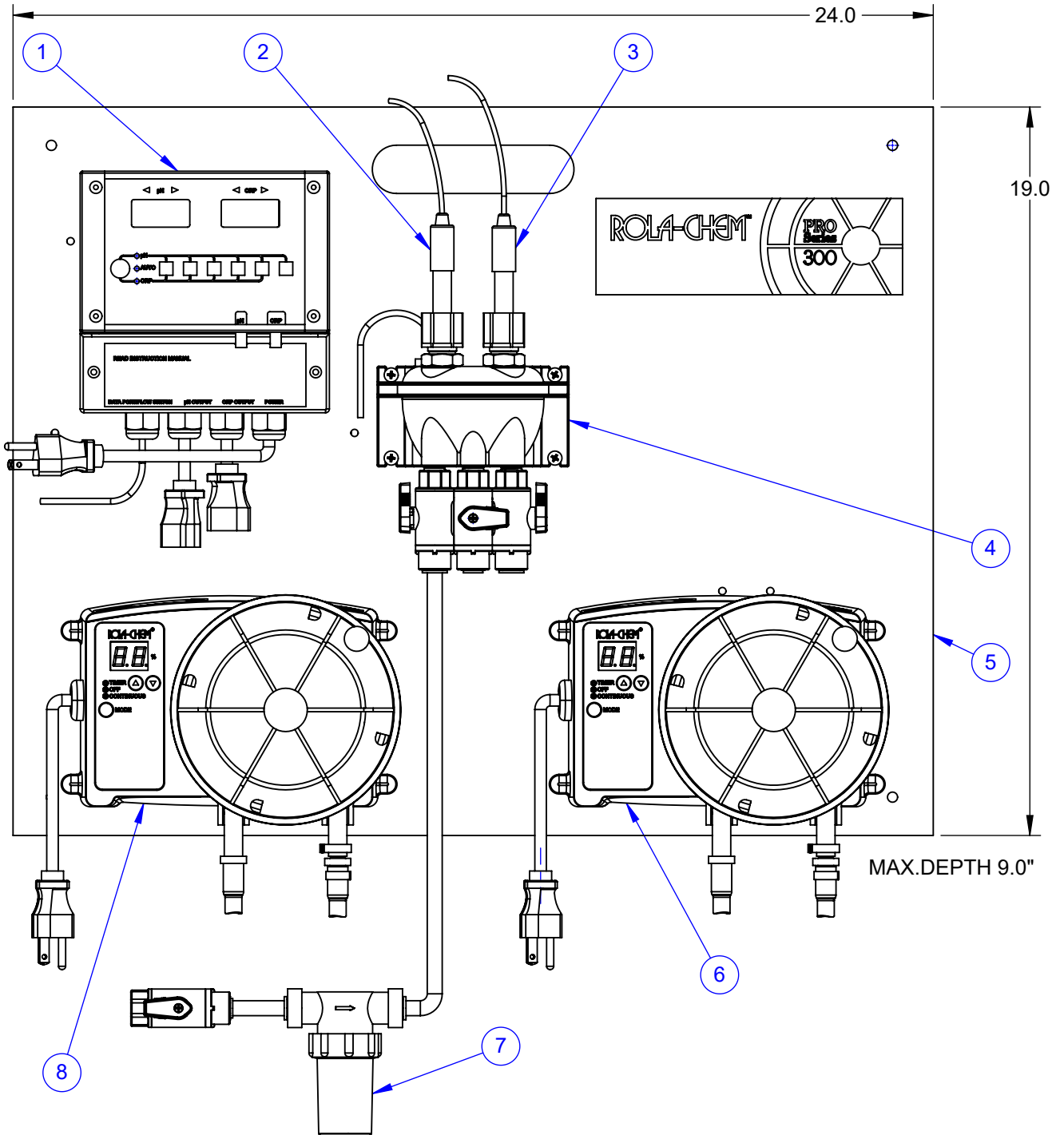
BOARD CONFIGURATION D - [CLICK HERE](#)  
 TO DOWNLOAD CAD FILE.

**554221**  
**554CONT(ORP-PH)/110VSOL/BOARD**



<b>554221 - 554CONT(ORP-PH)/110VSOL/BOARD</b>		
ITEM	PART NO.	DESCRIPTION
1	554100	DIG CONTROLLER-ORP/PH(810)
2	550208	PROBE,PH,HD,3FT CABLE
3	550209	PROBE,ORP,HD,3FT CABLE
4	550180	FLOWCELL,GLOBE,..375,W/GRD AS'Y
5	550158	BOARD-24X19,PUMP/CONTR MT,POLY
6	----	----
7	550592	STRAINER KIT,3/8 TUBE,SMALL
8	----	----
9	550290	SOLENOID VALVE KIT,120V,3/8NPT

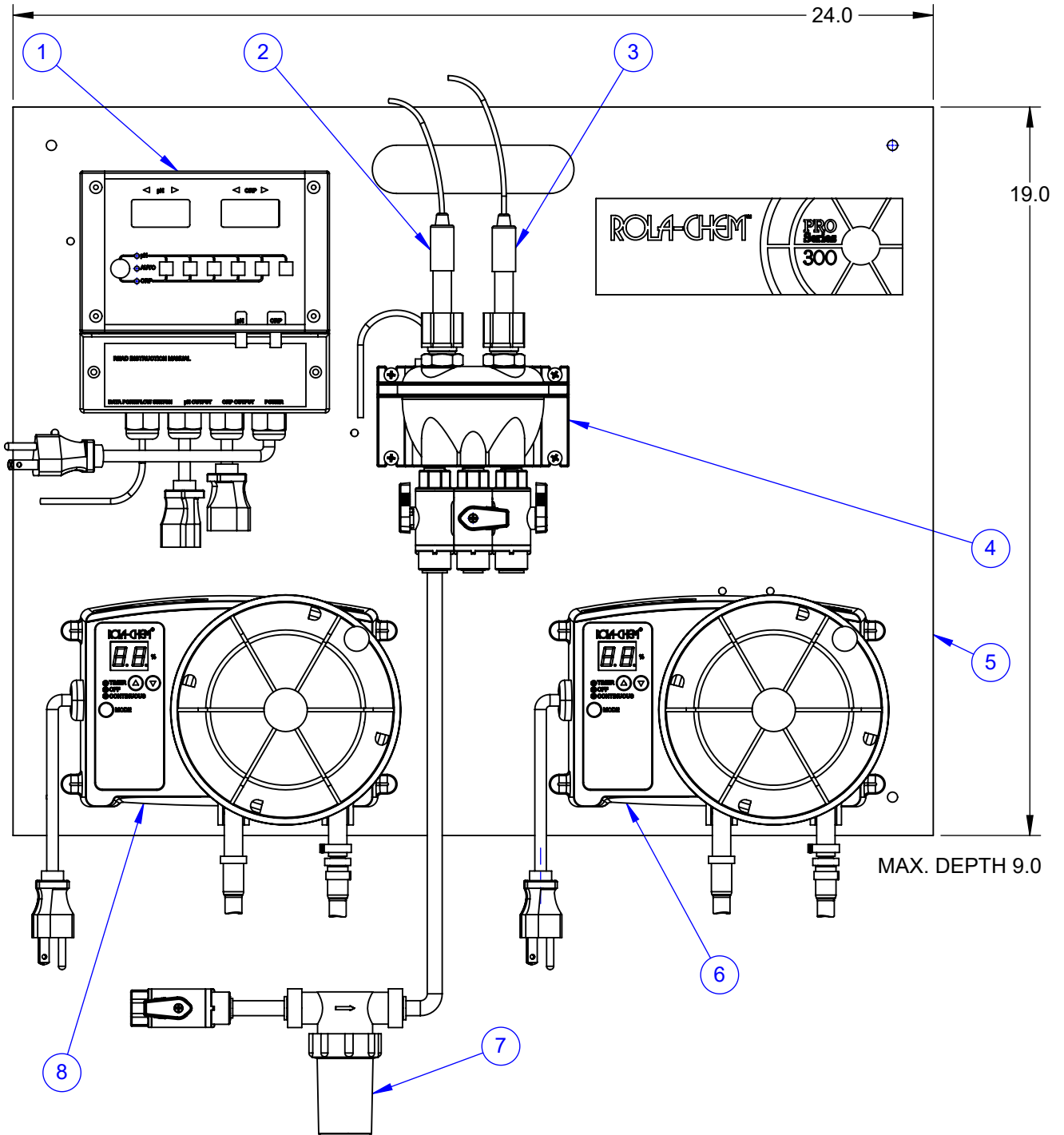
**554500**  
**554CONT(ORP-PH)2/-RC305PUM/BD**



<b>554500 - 554CONT(ORP-PH)2/-RC305PUM/BD</b>		
ITEM	PART NO.	DESCRIPTION
1	554100	DIG CONTROLLER-ORP/PH(810)
2	550208	PROBE,PH,HD,3FT CABLE
3	550209	PROBE,ORP,HD,3FT CABLE
4	550180	FLOWCELL,GLOBE,..375,W/GRD AS'Y
5	550158	BOARD-24X19,PUMP/CONTR MT,POLY
6	543820	RC305MC,120V,PUMP,SH,CORD/TYGO (38 GPD)
7	550592	STRAINER KIT,3/8 TUBE,SMALL
8	543820	RC305MC,120V,PUMP,SH,CORD/TYGO (38 GPD)

BOARD CONFIGURATION A - [CLICK HERE](#)  
 TO DOWNLOAD CAD FILE.

**554501**  
**554CONT(ORP-PH)/RC305&303/BD**

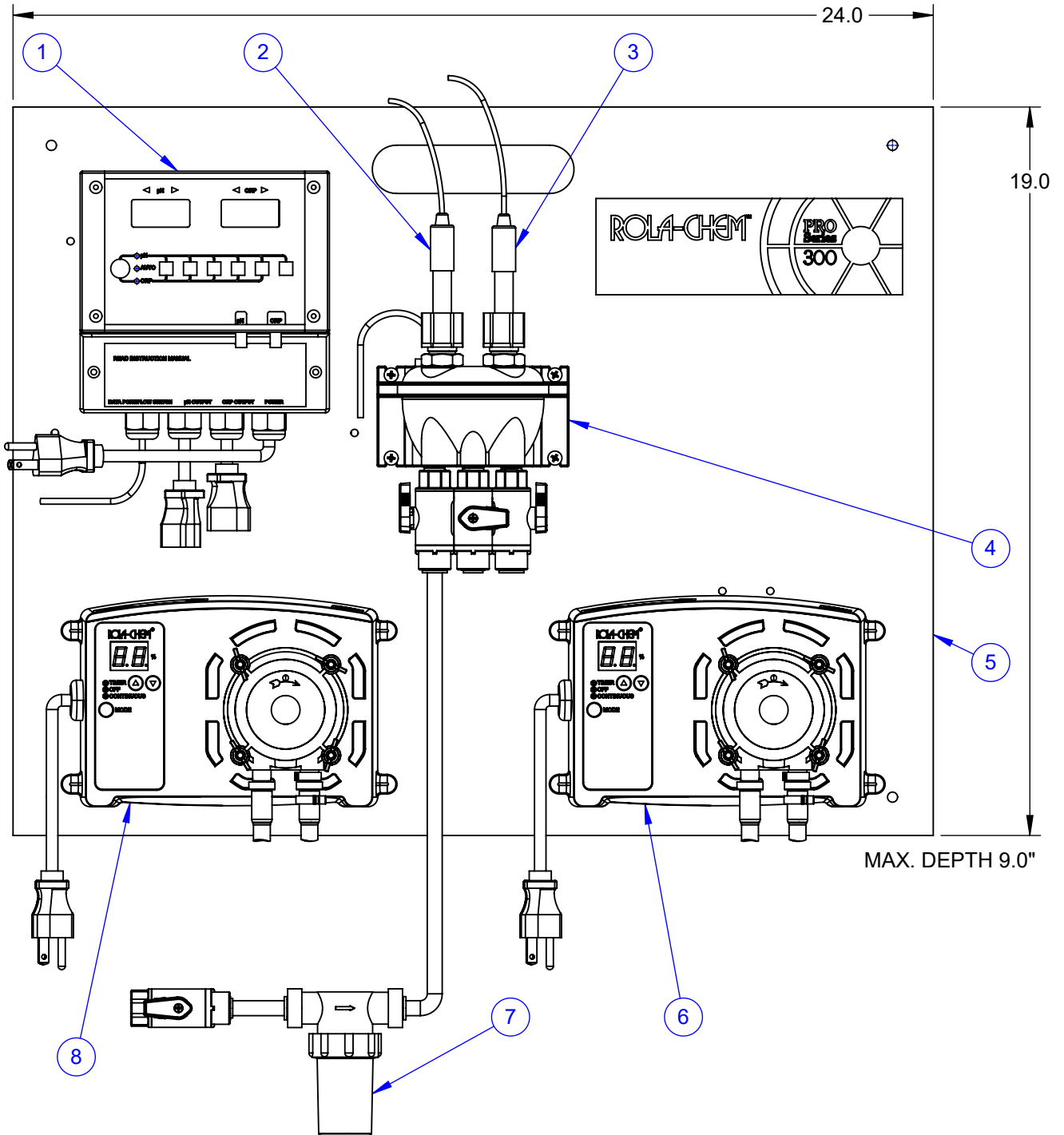


<b>554501 - 554CONT(ORP-PH)/RC305&amp;303/BD</b>		
ITEM	PART NO.	DESCRIPTION
1	554100	DIG CONTROLLER-ORP/PH(810)
2	550208	PROBE,PH,HD,3FT CABLE
3	550209	PROBE,ORP,HD,3FT CABLE
4	550180	FLOWCELL,GLOBE, .375,W/GRD AS'Y
5	550158	BOARD-24X19,PUMP/CONTR MT,POLY
6	543812	RC303MC,120V,PUMP,SHORT,CORD (12 GPD)
7	550592	STRAINER KIT,3/8 TUBE,SMALL
8	543820	RC305MC,120V,PUMP,SH,CORD/TYGO (38 GPD)

[BOARD CONFIGURATION A - CLICK HERE TO DOWNLOAD CAD FILE.](#)

# 554502

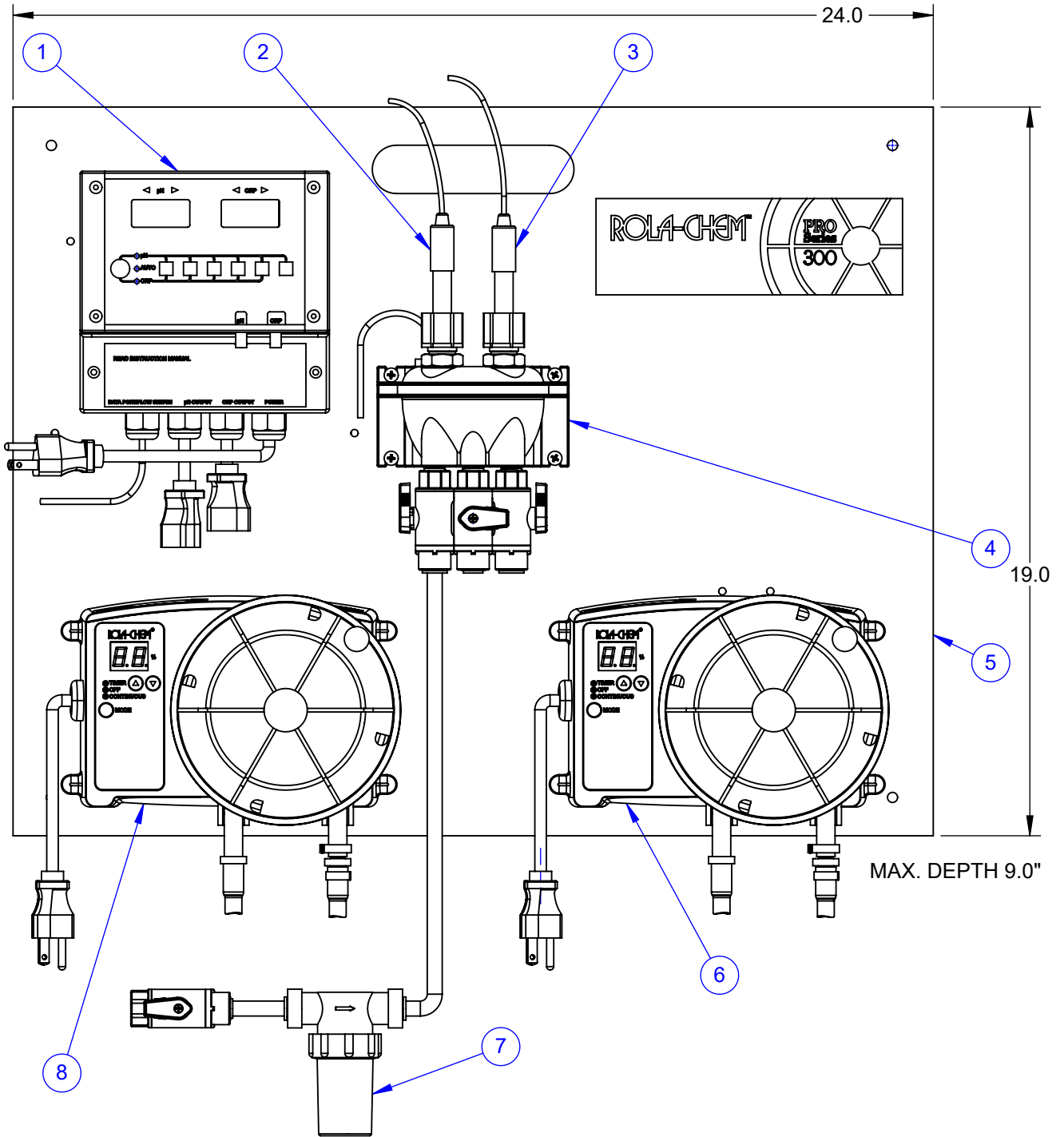
## 554CONT(ORP-PH)/2-RC301PUM/BD



<b>554502 - 554CONT(ORP-PH)/2-RC301PUM/BD</b>		
ITEM	PART NO.	DESCRIPTION
1	554100	DIG CONTROLLER-ORP/PH(810)
2	550208	PROBE,PH,HD,3FT CABLE
3	550209	PROBE,ORP,HD,3FT CABLE
4	550180	FLOWCELL,GLOBE,..375,W/GRD AS'Y
5	550158	BOARD-24X19,PUMP/CONTR MT,POLY
6	543808	RC301MC,120V,PUMP,SHORT CORD (0.9 GPD)
7	550592	STRAINER KIT,3/8 TUBE,SMALL
8	543808	RC301MC,120V,PUMP,SHORT CORD (0.9 GPD)

BOARD CONFIGURATION F - [CLICK HERE](#)  
TO DOWNLOAD CAD FILE.

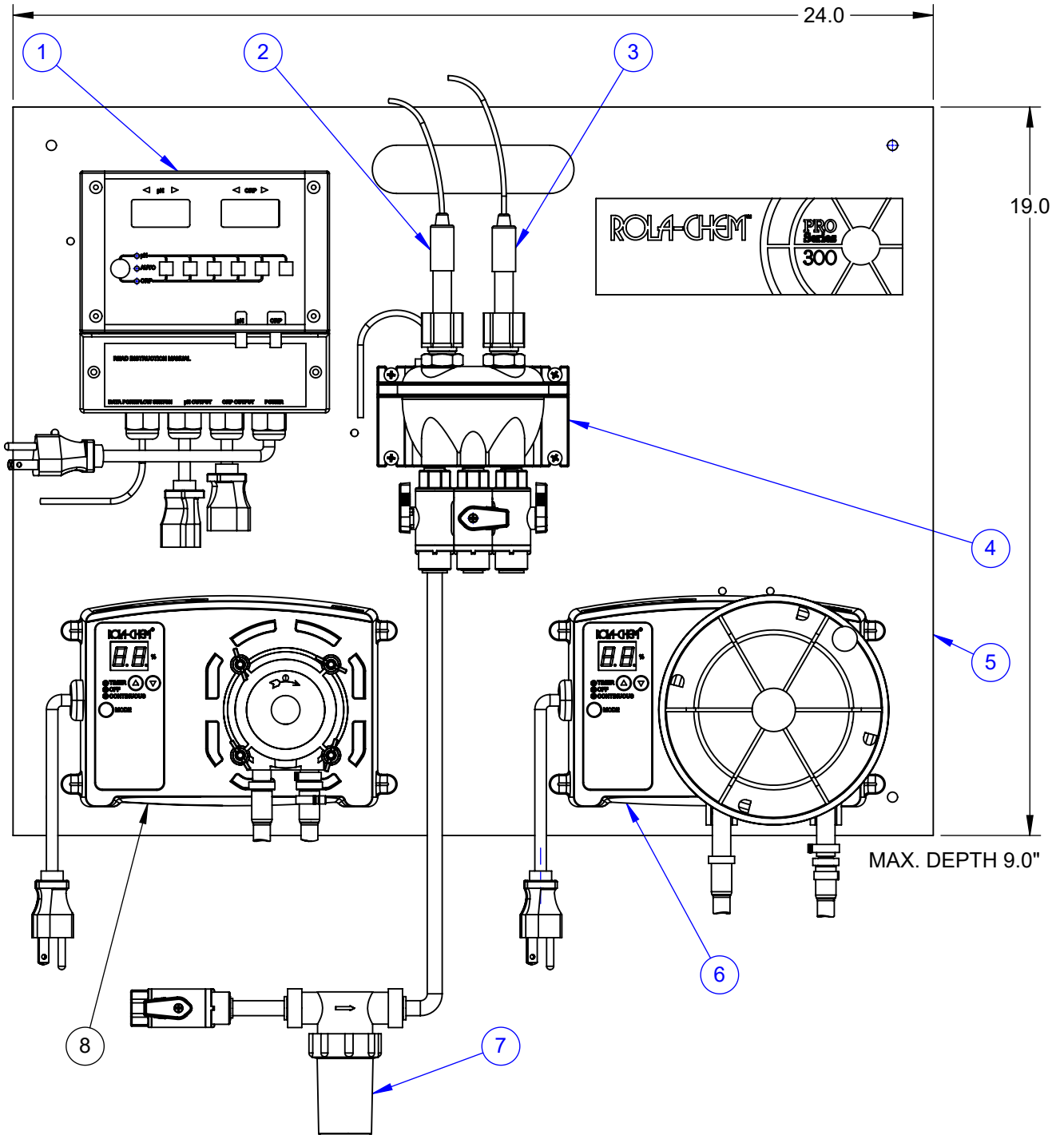
**554503**  
**554CONT(ORP-PH)/2-RC303PUM/BD**



<b>554503 - 554CONT(ORP-PH)/2-RC303PUM/BD</b>		
ITEM	PART NO.	DESCRIPTION
1	554100	DIG CONTROLLER-ORP/PH(810)
2	550208	PROBE,PH,HD,3FT CABLE
3	550209	PROBE,ORP,HD,3FT CABLE
4	550180	FLOWCELL,GLOBE,..375,W/GRD AS'Y
5	550158	BOARD-24X19,PUMP/CONTR MT,POLY
6	543812	RC303MC,120V,PUMP,SHORT,CORD (12 GPD)
7	550592	STRAINER KIT,3/8 TUBE,SMALL
8	543812	RC303MC,120V,PUMP,SHORT,CORD (12 GPD)

[BOARD CONFIGURATION A - CLICK HERE TO DOWNLOAD CAD FILE.](#)

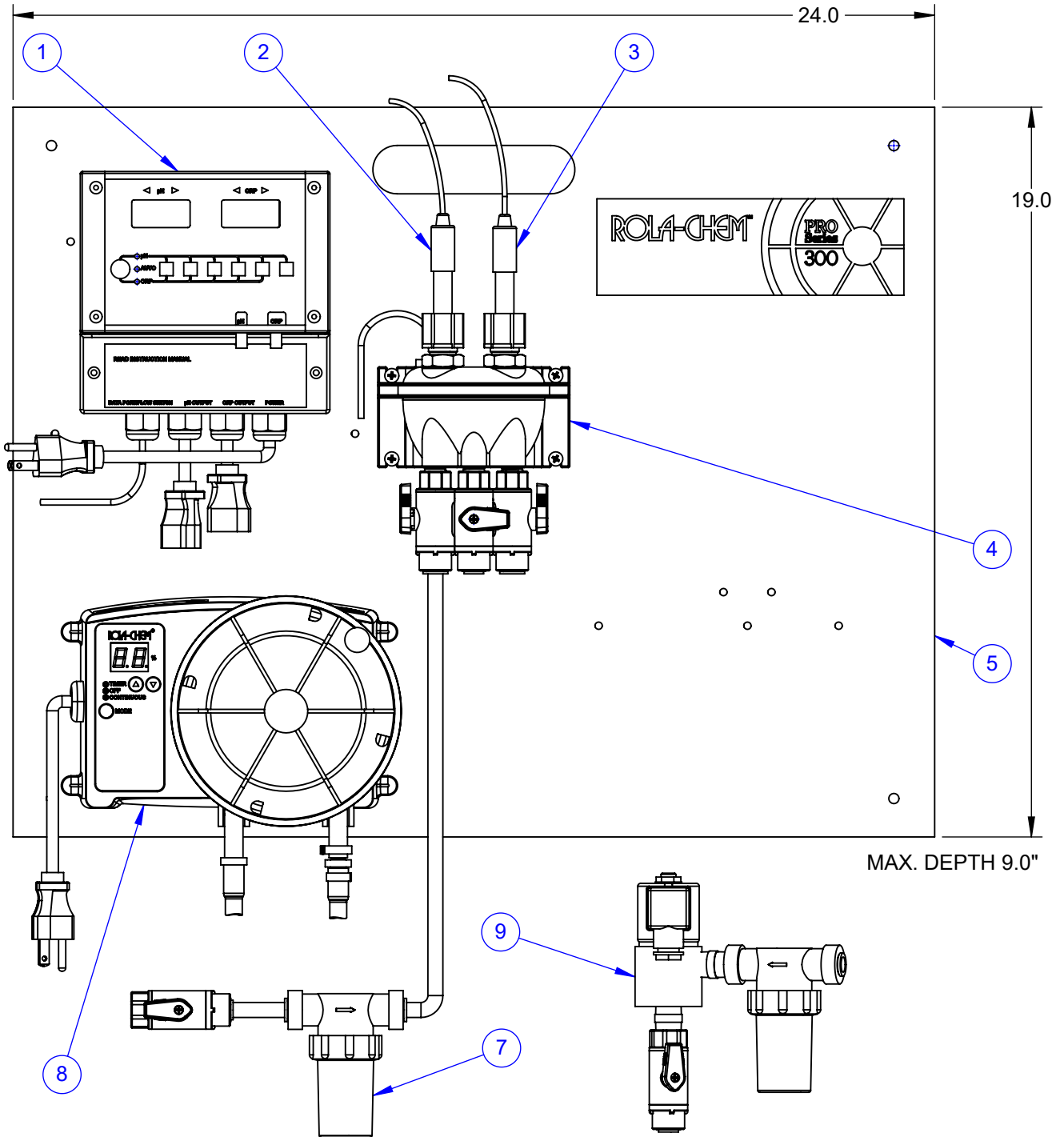
**554504**  
**554CONT(ORP-PH)/RC301&303/BD**



<b>554504 - 554CONT(ORP-PH)/RC301&amp;303/BD</b>		
ITEM	PART NO.	DESCRIPTION
1	554100	DIG CONTROLLER-ORP/PH(810)
2	550208	PROBE,PH,HD,3FT CABLE
3	550209	PROBE,ORP,HD,3FT CABLE
4	550180	FLOWCELL,GLOBE,..375,W/GRD AS'Y
5	550158	BOARD-24X19,PUMP/CONTR MT,POLY
6	543812	RC303MC,120V,PUMP,SHORT CORD (12 GPD)
7	550592	STRAINER KIT,3/8 TUBE,SMALL
8	543808	RC301MC,120V,PUMP,SHORT CORD (0.9 GPD)

BOARD CONFIGURATION G - [CLICK HERE](#)  
 TO DOWNLOAD CAD FILE.

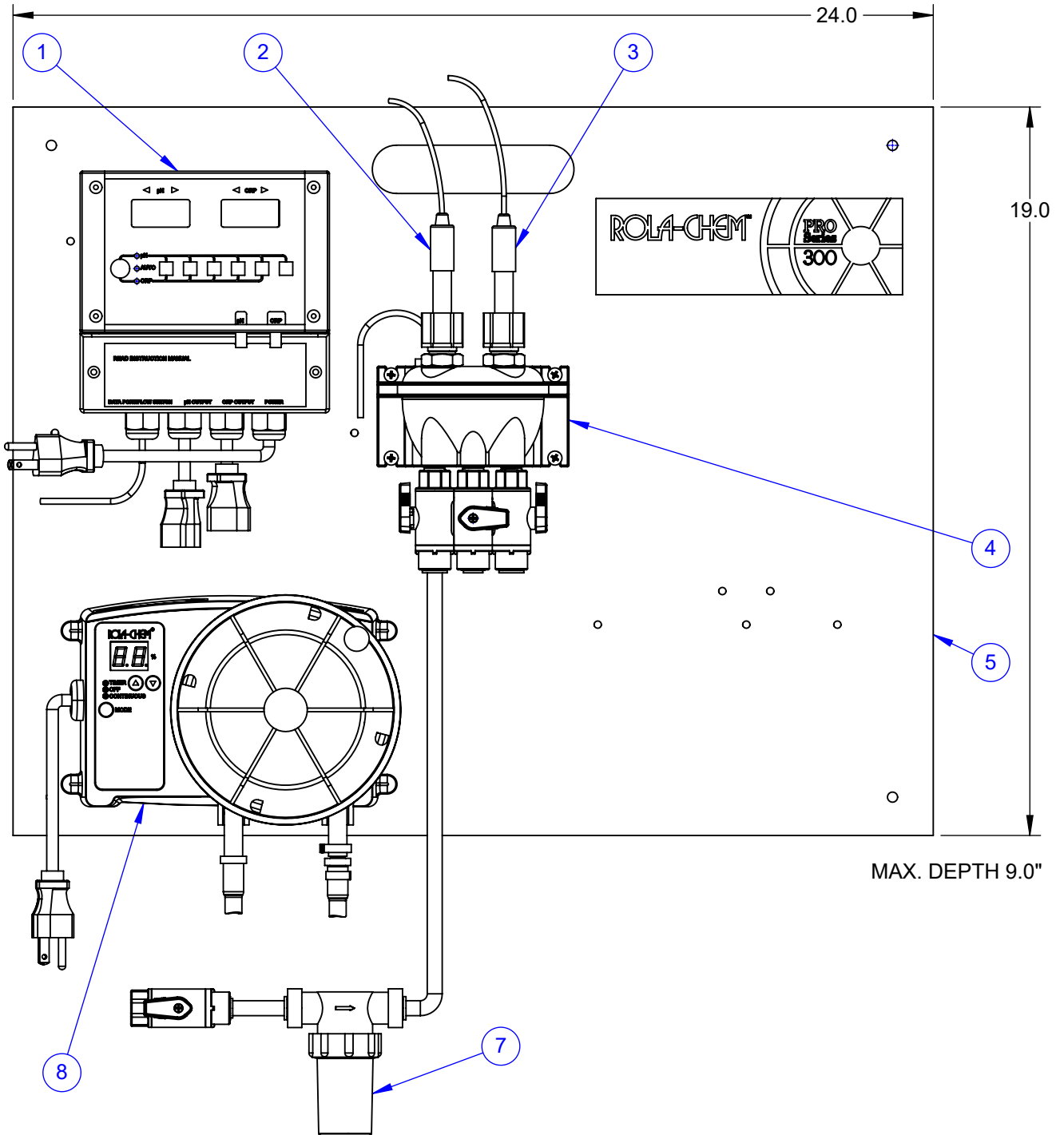
**554505**  
**554CONT(ORP-PH)/SOL/RC303/BD**



<b>554505 - 554CONT(ORP-PH)/SOL/RC303/BD</b>		
ITEM	PART NO.	DESCRIPTION
1	554100	DIG CONTROLLER-ORP/PH(810)
2	550208	PROBE,PH,HD,3FT CABLE
3	550209	PROBE,ORP,HD,3FT CABLE
4	550180	FLOWCELL,GLOBE,.375,W/GRD AS'Y
5	550158	BOARD-24X19,PUMP/CONTR MT,POLY
6	----	----
7	550592	STRAINER KIT,3/8 TUBE,SMALL
8	543812	RC303MC,120V,PUMP,SHORT,CORD (12 GPD)
9	550290	SOLENOID VALVE KIT,120V,3/8NPT

[BOARD CONFIGURATION B - CLICK HERE TO DOWNLOAD CAD FILE.](#)

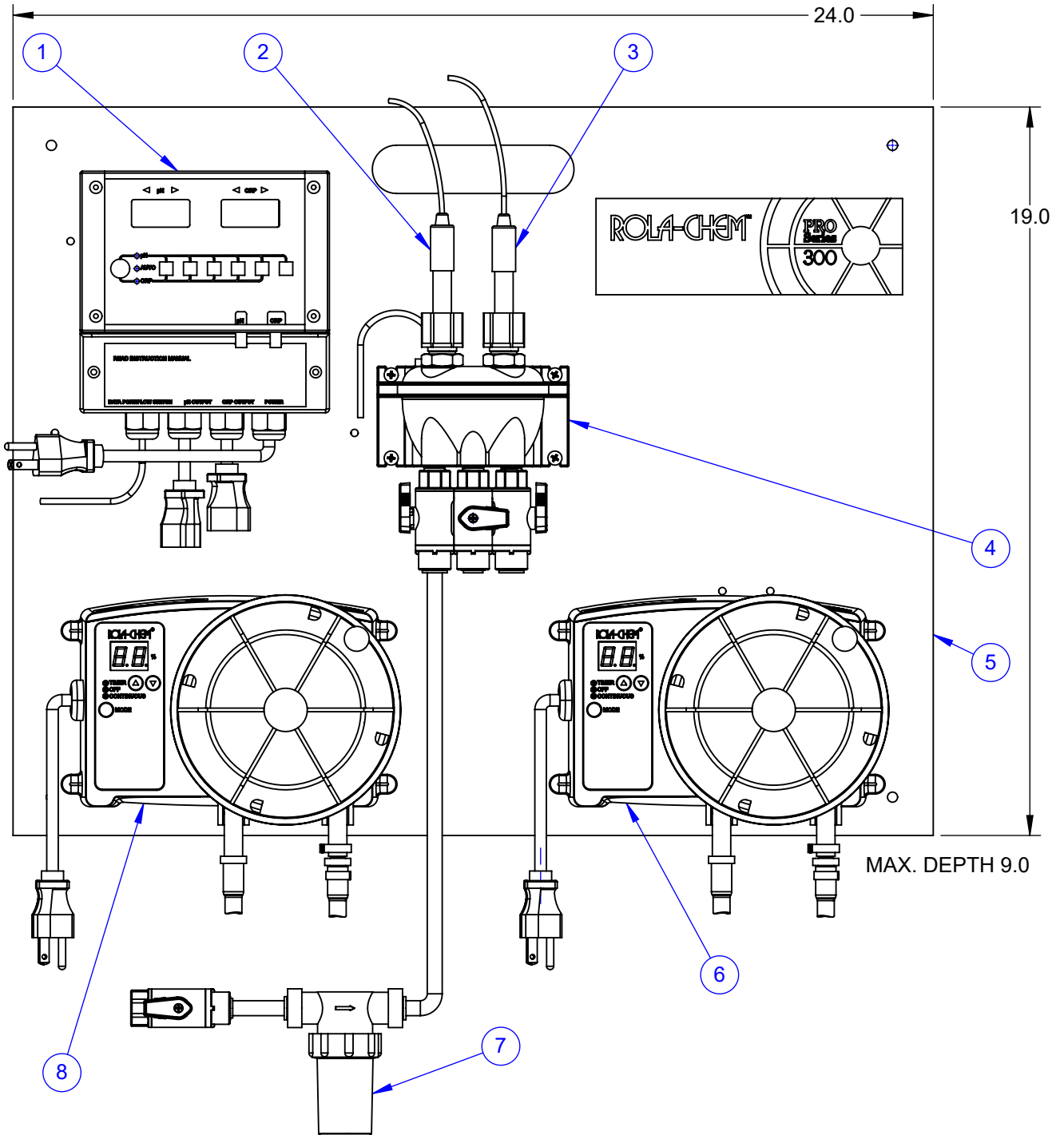
**554506**  
**554CONT(ORP-PH)/1-RC303PUM/BD**



<b>554506 - 554CONT(ORP-PH)/1-RC303PUM/BD</b>		
ITEM	PART NO.	DESCRIPTION
1	554100	DIG CONTROLLER-ORP/PH(810)
2	550201	PROBE,ORP,GOLD TIP, 8FT
3	550135	PROBE,PH,HD,(#RC-PHPHD),8FT
4	550180	FLOWCELL,GLOBE,.375,W/GRD AS'Y
5	550158	BOARD-24X19,PUMP/CONTR MT,POLY
6	----	----
7	550592	STRAINER KIT,3/8 TUBE,SMALL
8	543812	RC303MC,120V,PUMP,SHORT,CORD (12 GPD)

BOARD CONFIGURATION C - [CLICK HERE](#)  
 TO DOWNLOAD CAD FILE.

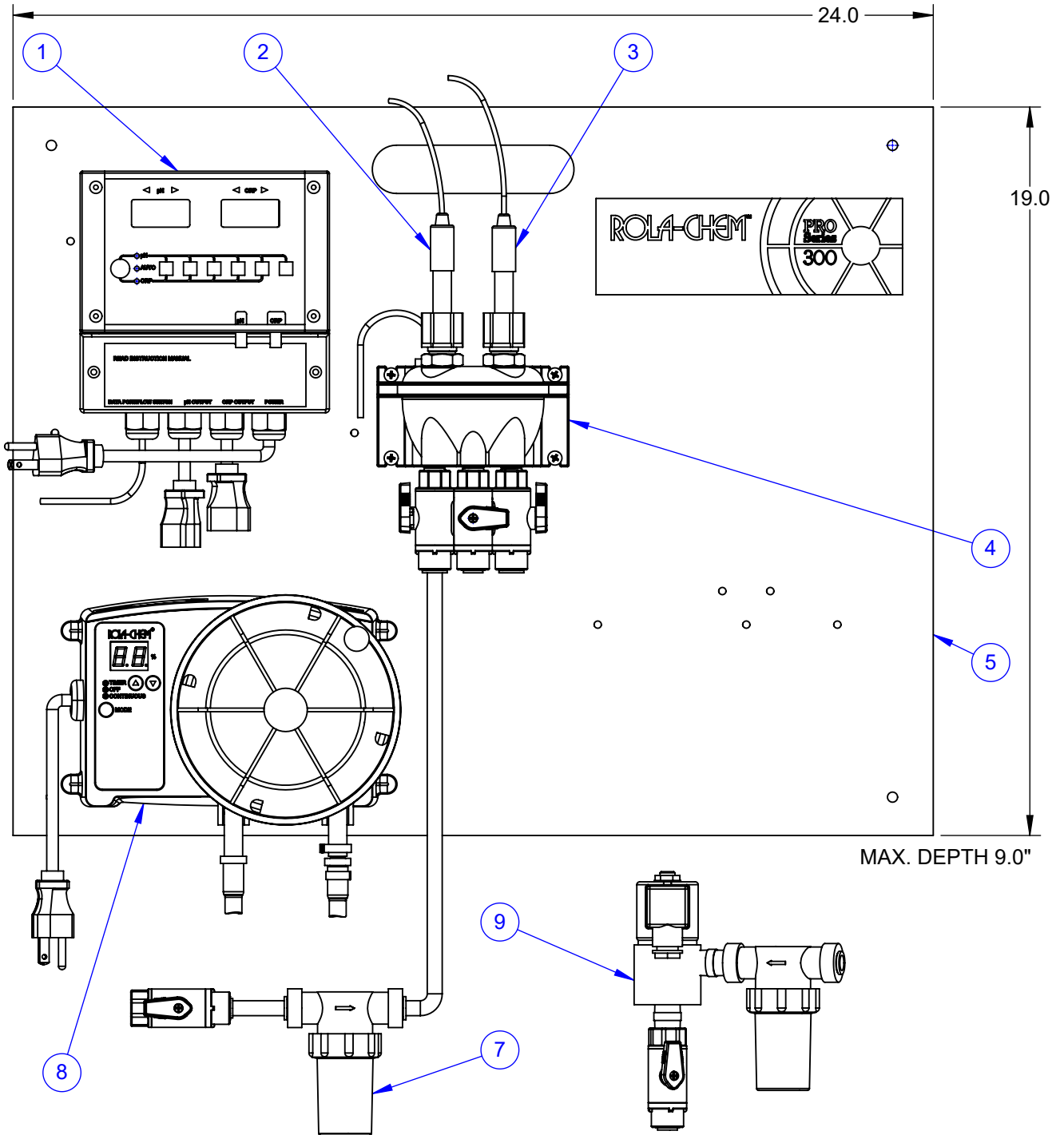
**554508**  
**554CONT(ORP-PH)/2-RC307PUM/BD**



<b>554508 - 554CONT(ORP-PH)/2-RC307PUM/BD</b>		
ITEM	PART NO.	DESCRIPTION
1	554100	DIG CONTROLLER-ORP/PH(810)
2	550208	PROBE,PH,HD,3FT CABLE
3	550209	PROBE,ORP,HD,3FT CABLE
4	550180	FLOWCELL,GLOBE,..375,W/GRD AS'Y
5	550158	BOARD-24X19,PUMP/CONTR MT,POLY
6	543826	RC307MC,120V,PUMP,SH,CORD/TYGO (77 GPD)
7	550592	STRAINER KIT,3/8 TUBE,SMALL
8	543826	RC307MC,120V,PUMP,SH,CORD/TYGO (77 GPD)

[BOARD CONFIGURATION A - CLICK HERE TO DOWNLOAD CAD FILE.](#)

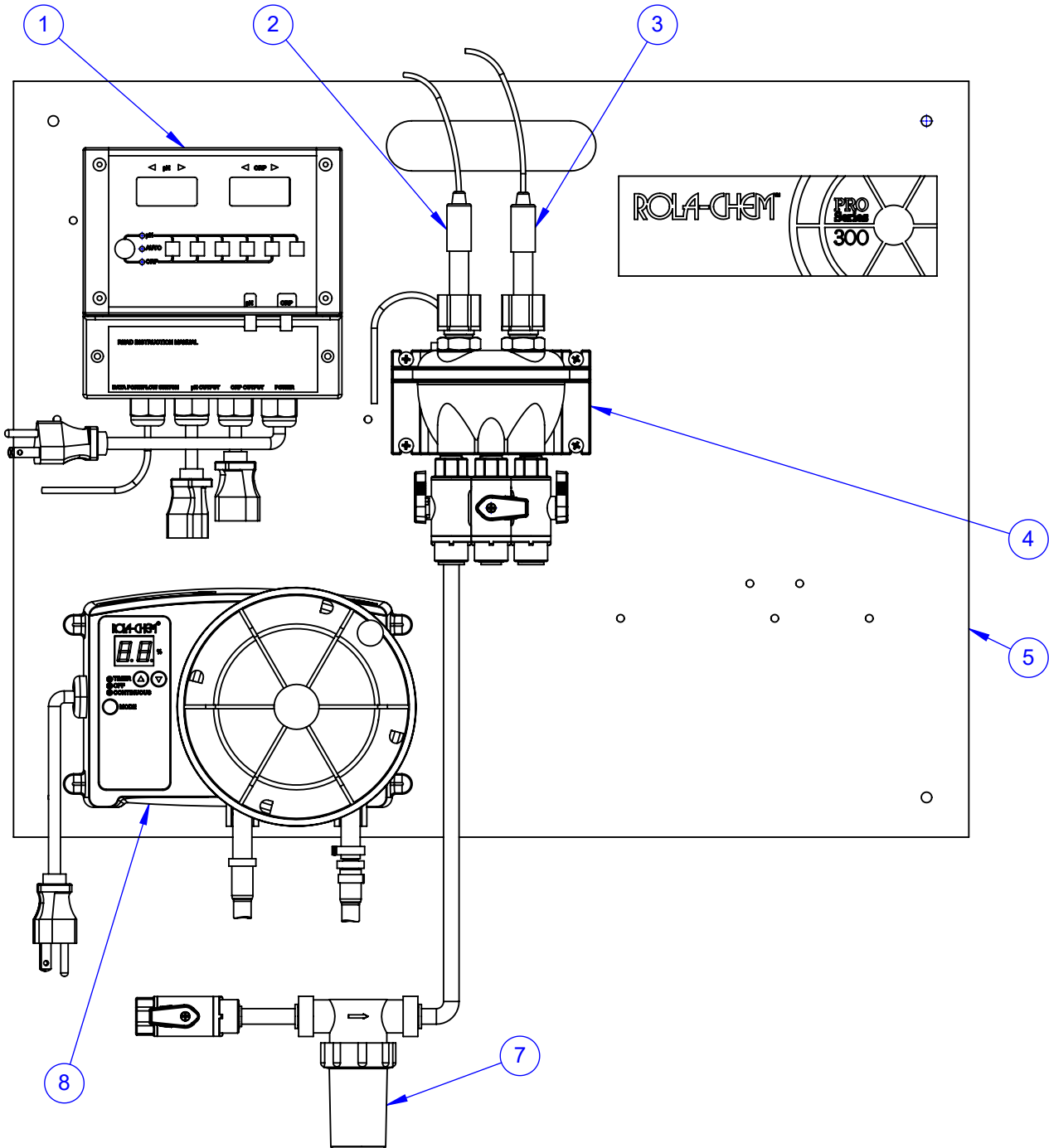
**554510**  
**554CONT(ORP-PH)/SOL/RC305/BD**



<b>554510 - 554CONT(ORP-PH)/SOL/RC305/BD</b>		
ITEM	PART NO.	DESCRIPTION
1	554100	DIG CONTROLLER-ORP/PH(810)
2	550208	PROBE,PH,HD,3FT CABLE
3	550209	PROBE,ORP,HD,3FT CABLE
4	550180	FLOWCELL,GLOBE,.375,W/GRD AS'Y
5	550158	BOARD-24X19,PUMP/CONTR MT,POLY
6	----	----
7	550592	STRAINER KIT,3/8 TUBE,SMALL
8	543820	RC305MC,120V,PUMP,SH,CORD/TYGO (38 GPD)
9	550290	SOLENOID VALVE KIT,120V,3/8NPT

# 554511

## 554CONT(ORP-PH)/1-RC305PUM/BD

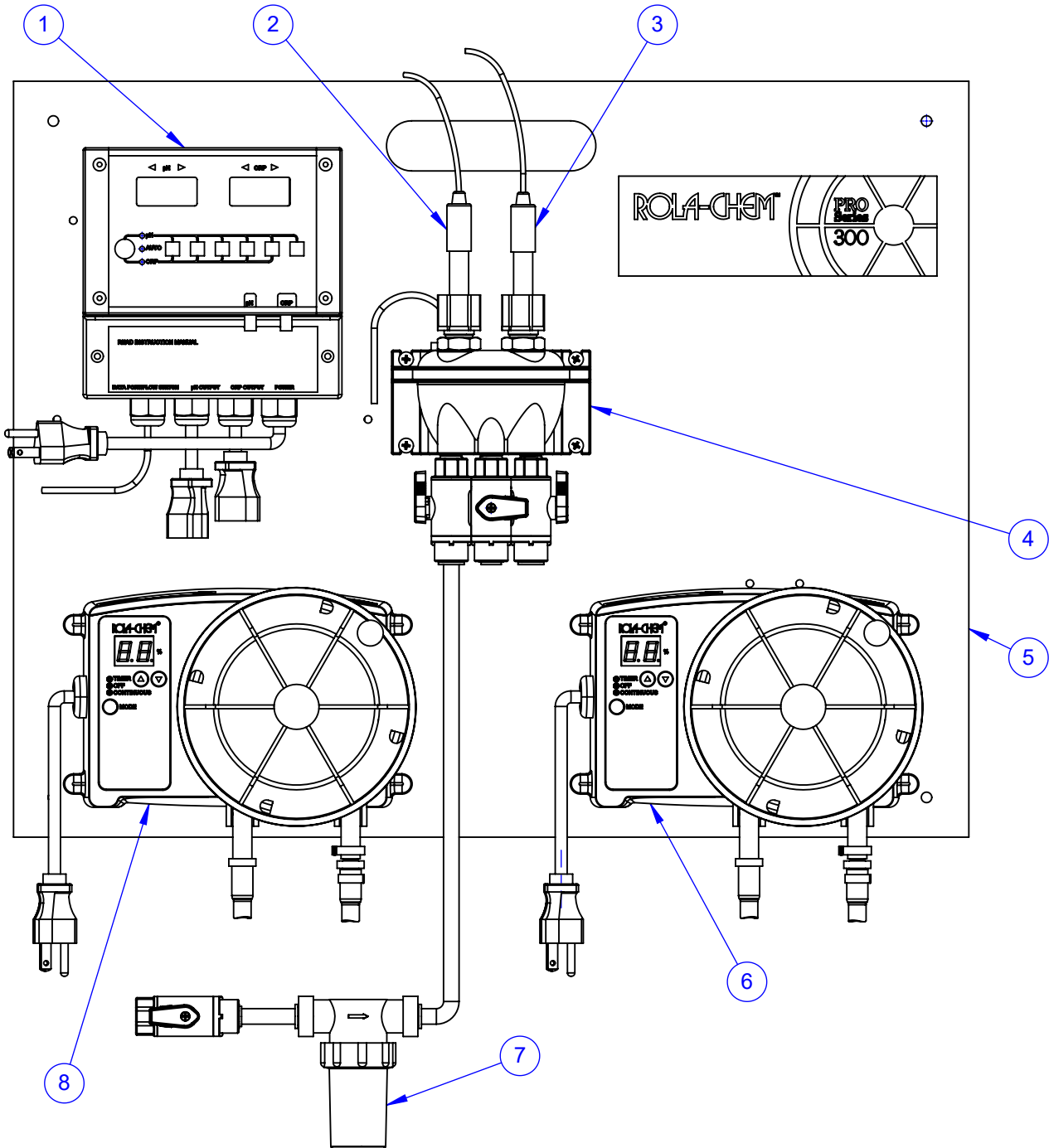


<b>554511 - 554CONT(ORP-PH)/1-RC305PUM/BD</b>		
ITEM	PART NO.	DESCRIPTION
1	554100	DIG CONTROLLER-ORP/PH(810)
2	550135	PROBE,PH,HD,(#RC-PHPHD),8FT
3	550201	PROBE,ORP,GOLD TIP, 8FT
4	550180	FLOWCELL,GLOBE,..375,W/GRD AS'Y
5	550158	BOARD-24X19,PUMP/CONTR MT,POLY
6	----	----
7	550592	STRAINER KIT,3/8 TUBE,SMALL
8	543820	RC305MC,120V,PUMP,SH,CORD/TYGO (38 GPD)

BOARD CONFIGURATION C - [CLICK HERE TO DOWNLOAD CAD FILE.](#)

# 554512

## 554CONT(ORP-PH)RC305&307/BD



554512 - 554CONT(ORP-PH)RC305&307/BD		
ITEM	PART NO.	DESCRIPTION
1	554100	DIG CONTROLLER-ORP/PH(810)
2	550208	PROBE,PH,HD,3FT CABLE
3	550209	PROBE,ORP,HD,3FT CABLE
4	550180	FLOWCELL,GLOBE,..375,W/GRD AS'Y
5	550158	BOARD-24X19,PUMP/CONTR MT,POLY
6	543820	RC305MC,120V,PUMP,SH,CORD/TYGO (38 GPD)
7	550592	STRAINER KIT,3/8 TUBE,SMALL
8	543826	RC307MC,120V,PUMP,SH,CORD/TYGO (77 GPD)

BOARD CONFIGURATION A - [CLICK HERE](#)  
TO DOWNLOAD CAD FILE.