

LITE STAR® WITH ADJUSTABLE ANGLE POOL AND SPA LED LIGHT AND SMALL LIGHT NICHE ADAPTER KIT FOR RETROFIT



Energy efficient retrofit LED light



FEATURES

Retrofits over standard small light niches

Bright and efficient low voltage LED light

Lasts 10 times longer than traditional incandescent or halogen pool lights

Low voltage LED lighting uses a fraction of the power of a traditional incandescent or halogen pool light

Long lasting light is easy to replace with quick-connect plug

Available with blue or white LEDs

Blue and white light: 12V/9W

RGBW light: 12V/17W

1 per case

U.S. Patents www.aquastarpoolproducts.com/patents

Retrofits over standard small light niches



Shown with Quick-Connect Cord

(Sold separately)

* Does not include niche housing



Quick-Connect Cord

(Sold separately)

For simple installation and replacement

Part # LS1xx-SN-BLUE (Blue Light)

Part # LS1xx-SN-WHITE (White Light)

Part # LS1xx-SN-MULTI (RGBW Light)

STANDARD FACE PLATE COLORS

□ LS101-SN-BLUE – White

■ LS102-SN-BLUE – Light Gray

■ LS103-SN-BLUE – Dark Gray

STANDARD FACE PLATE COLORS

□ LS101-SN-WHITE – White

■ LS102-SN-WHITE – Light Gray

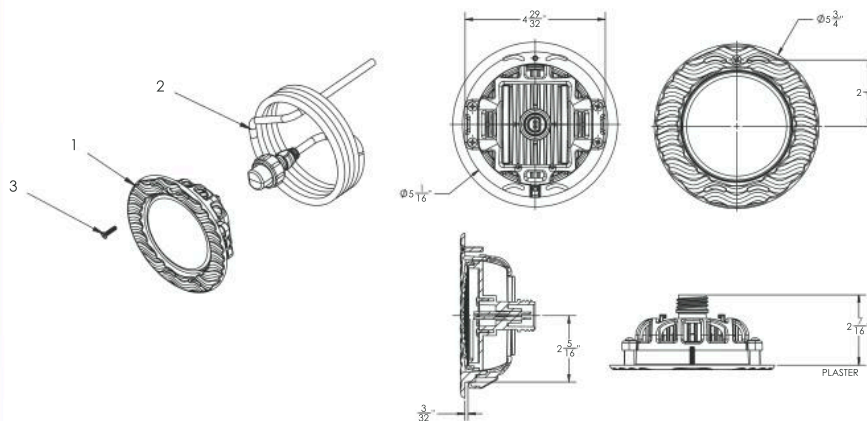
■ LS103-SN-WHITE – Dark Gray

STANDARD FACE PLATE COLORS

□ LS101-SN-MULTI – White

■ LS102-SN-MULTI – Light Gray

■ LS103-SN-MULTI – Dark Gray



1. Lens Assembly, Small Niche Retro-fit

2. Cable/Connector Assembly

3. 10-24 X .5" Flat Head Phillips, 316 SS, Qty 1

P 877-768-2717 F 877-276-POOL Outside the US: P +1-949-336-1940 F +1-949-336-1940

info@aquastarpoolproducts.com www.aquastarpoolproducts.com CS172-021325

LITE STAR® LIGHT CORD ASSEMBLY



Waterproof durable and reliable cord assembly



FEATURES

For simple installation and replacement

Waterproof connection

Includes protective cap

Compatible with all LiteStar® models

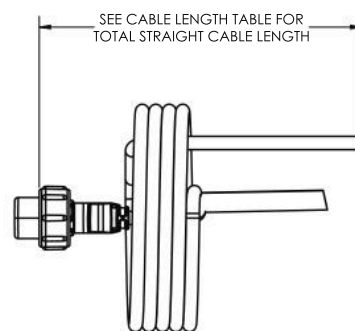
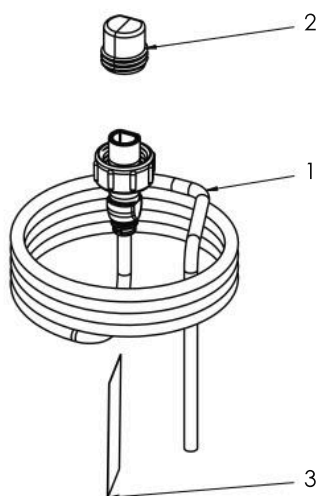
1 per case



Part # LSA14-050 (50 feet)

Part # LSA14-100 (100 feet)

Part # LSA14-150 (150 feet)



1. Cable Connector Assembly
2. Protective Cap
3. Cord Label