

LITE STAR® LIGHT CORD ASSEMBLY



Waterproof durable and reliable cord assembly



FEATURES

For simple installation and replacement

Waterproof connection

Includes protective cap

Compatible with all LiteStar® models

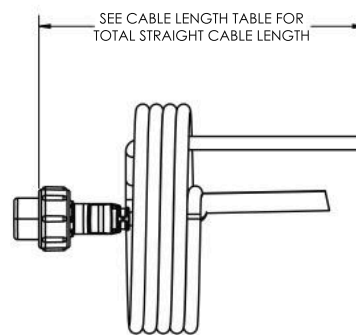
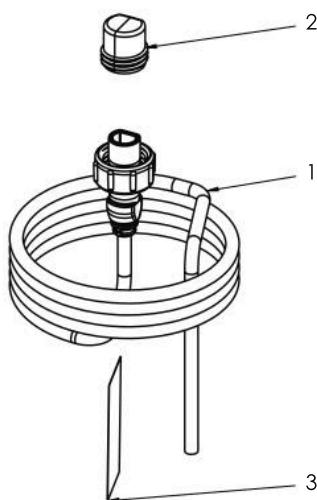
1 per case



Part # LSA14-050 (50 feet)

Part # LSA14-100 (100 feet)

Part # LSA14-150 (150 feet)



1. Cable Connector Assembly
2. Protective Cap
3. Cord Label