

LITE STAR® WITH ADJUSTABLE ANGLE POOL AND SPA LED LIGHT AND LARGE LIGHT NICHE ADAPTER KIT FOR RETROFIT



20 Degrees of adjustment for any pool depth



FEATURES

Retrofits over standard large light niches

The angle of the light can be adjusted up to 20 degrees

Adjustable to reduce surface glare and optimize lighting for any depth pool.

Bright and efficient low voltage LED light

Lasts 10 times longer than traditional incandescent or halogen pool lights

Low voltage LED lighting uses a fraction of the power of a traditional incandescent or halogen pool light

Long lasting light is easy to replace with quick-connect plug

Available with blue or white LEDs

Blue and white light: 12V/9W
RGBW light: 12V/17W

1 per case

U.S. Patents www.aquastarpoolproducts.com/patents

Retrofits over standard large light niches



Shown with Quick-Connect Cord

(Sold separately)

* Does not include niche housing

Part # LS1xx-PN-BLUE (Blue Light)

Part # LS1xx-PN-WHITE (White Light)

Part # LS1xx-PN-MULTI (RGBW Color Light)



Adjust-A-Beam®
Technology
Adjustable angle up to
20 degrees.



Quick-Connect Cord
(Sold separately)

For simple installation and replacement

STANDARD FACE PLATE COLORS

LS101-PN-BLUE – White

LS102-PN-BLUE – Light Gray

LS103-PN-BLUE – Dark Gray

STANDARD FACE PLATE COLORS

LS101-PN-WHITE – White

LS102-PN-WHITE – Light Gray

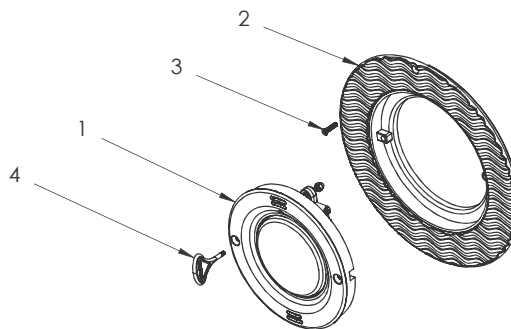
LS103-PN-WHITE – Dark Gray

STANDARD FACE PLATE COLORS

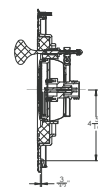
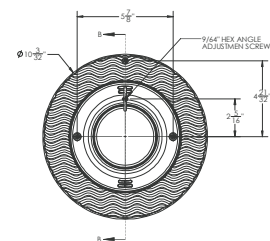
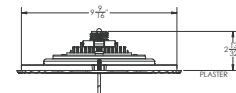
LS101-PN-MULTI – White

LS102-PN-MULTI – Light Gray

LS103-PN-MULTI – Dark Gray



1. LED Assembly
2. Large Niche Retro-fit Adapter
3. #10-24 x 1", Flat Head, Dog Point, 316 SS
4. Adjust-A-Beam® Tool



LITE STAR® LIGHT CORD ASSEMBLY



Waterproof durable and reliable cord assembly



FEATURES

For simple installation and replacement

Waterproof connection

Includes protective cap

Compatible with all LiteStar® models

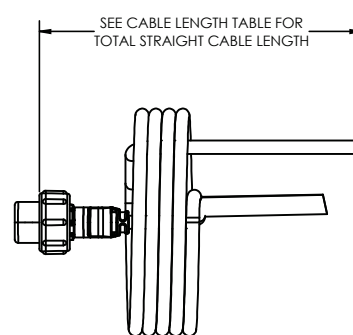
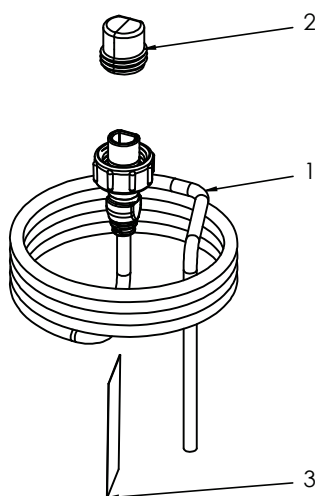
1 per case



Part # LSA14-050 (50 feet)

Part # LSA14-100 (100 feet)

Part # LSA14-150 (150 feet)



1. Cable Connector Assembly
2. Protective Cap
3. Cord Label