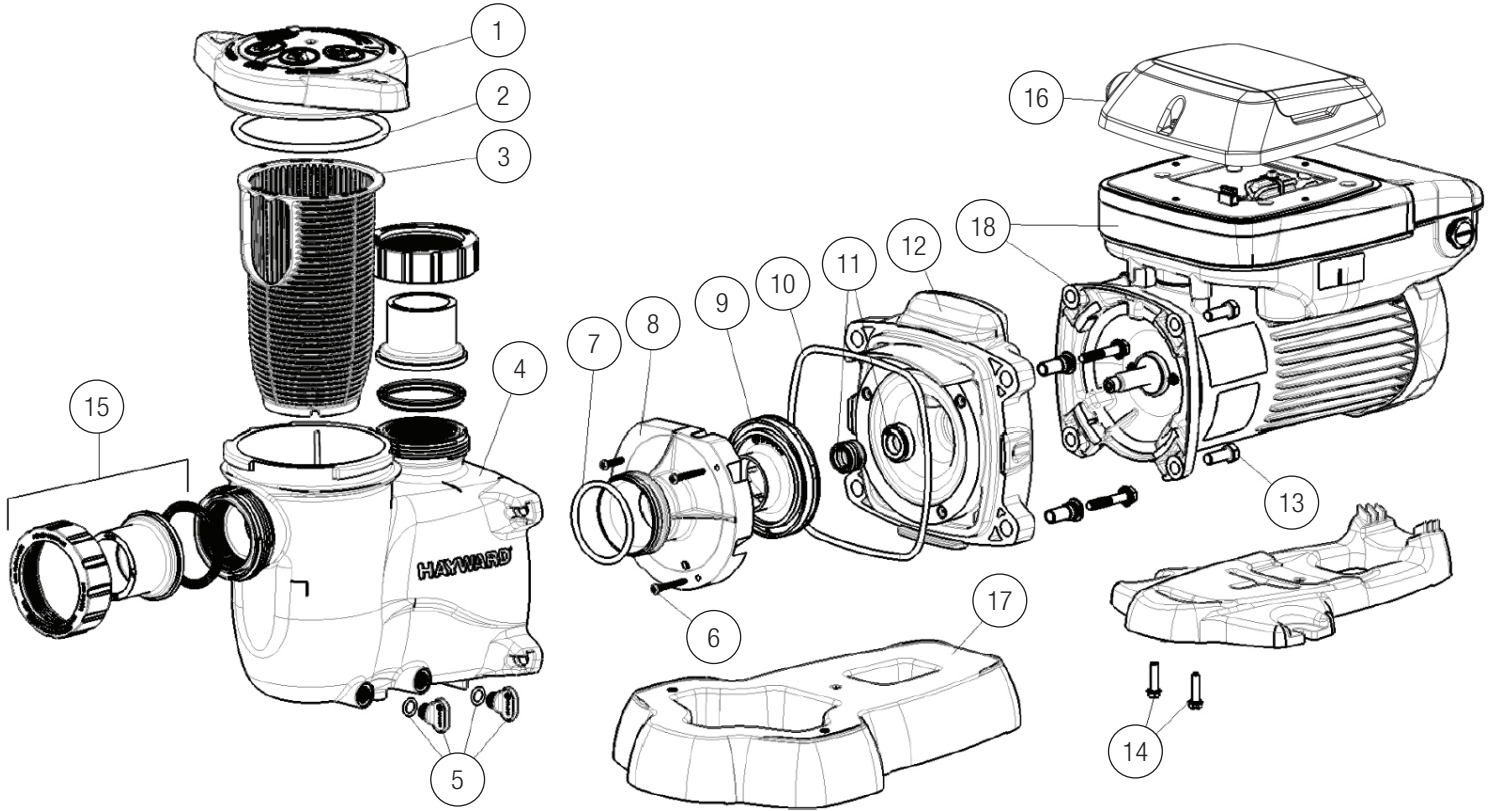


Replacement Parts

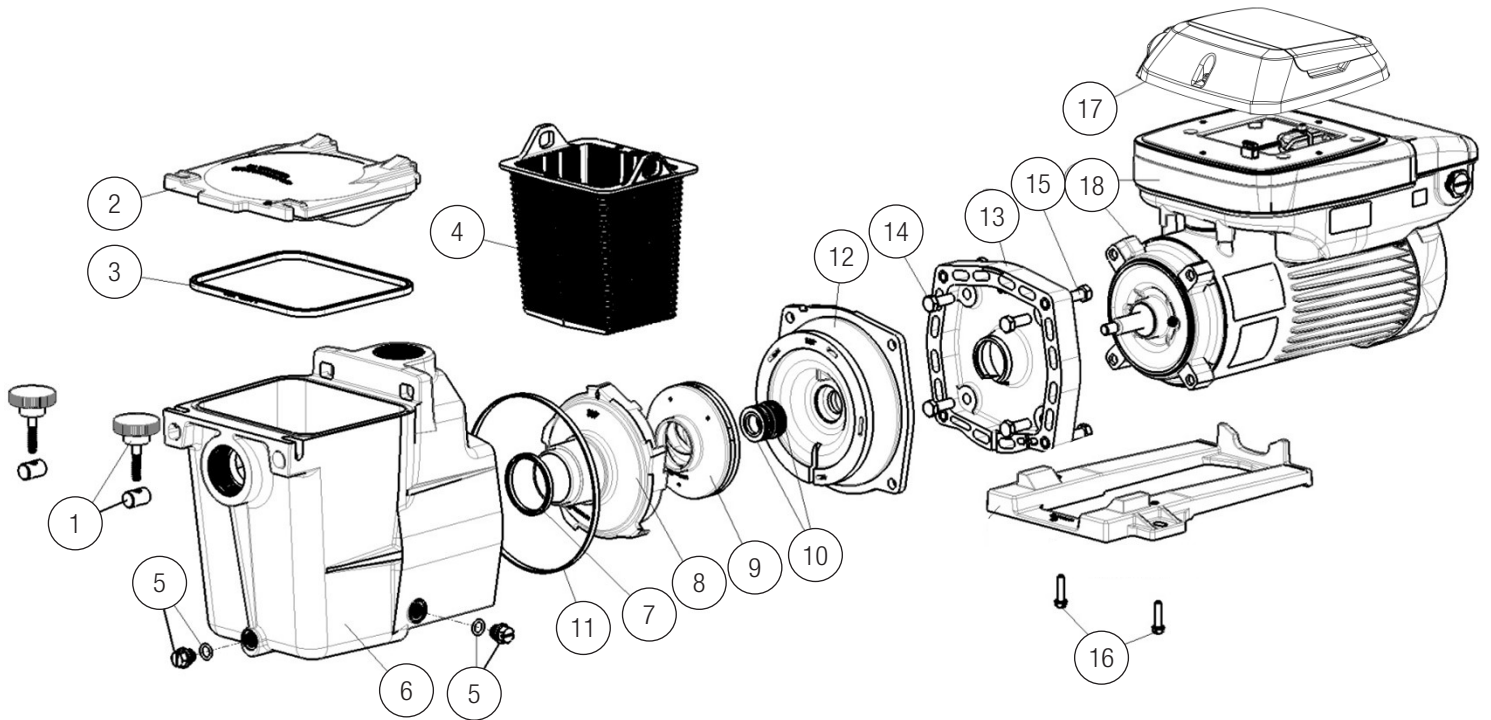
MaxFlo VS



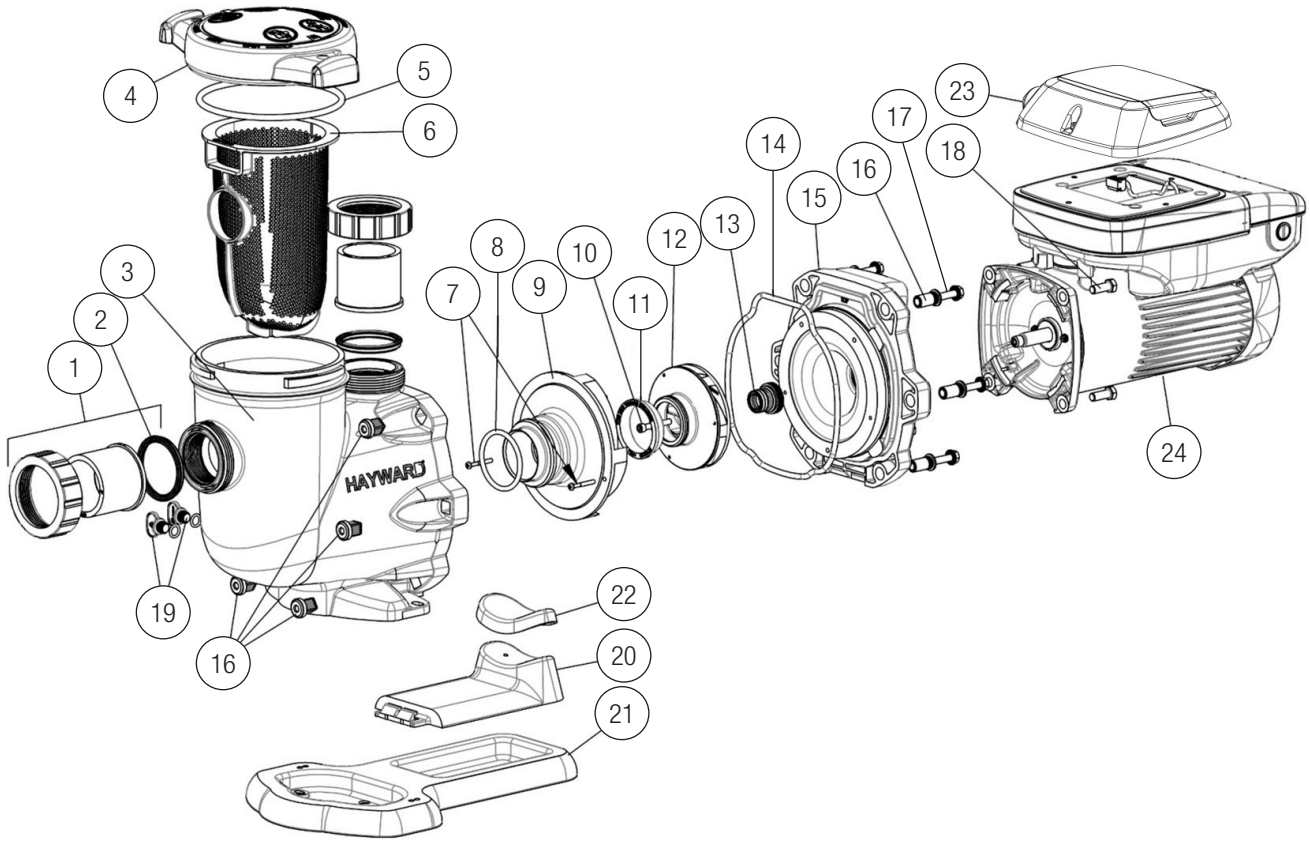
No.	Part Number	Description	Qty.	No.	Part Number	Description	Qty.
1	SPX2300DLS	Strainer Cover Kit (Includes Strainer Cover, Lock-Ring and O-Ring)	1	11	SPX2700SAV	Shaft Seal Assembly (Viton)	1
2	SPX2300Z4	Strainer Cover O-Ring	1	12	SPX2300E	Seal Plate	1
3	SPX2300M	Strainer Basket	1	13	SPX3200Z5PAK4	Motor Bolt (4 Pack)	1
4	SPX2300AA	Pump Strainer Housing with Drain Plugs	1	14	SPX1600Z52	Motor Support Base Mount Screws	1
5	SPX4000FG	Drain Plug with O-Ring	2	15	SPX2700UNKIT	Union Connector Kit (Includes 2 Nuts, Connectors and Gaskets)	1
6	SPX3200Z8	Diffuser Screws (5 Pack)	1	16	VSDISPLAYX1	Display Terminal Assembly	1
7	SX220Z2	Diffuser O-Ring	1	17	SPX2300GR	Optional Riser Base Aligns with Sta-Rite® Dyna-Pro® Pump*	1
8	SPX2300B	Diffuser	1	18	SPX2303Z1VSPE	Power End Assembly (Includes #7-14, Motor and Drive)	1
9	SPX2710CM	Impeller	1	-	SPX3400DRKIT	Remote Mounted Display Kit	1
10	GMX600F	Housing O-Ring	1	-	SPX3200DRCC	Communication Cable Kit	1

*Sta-Rite and Dyna-Pro are registered trademarks of Pentair Aquatic Systems, which are used herein for identification purposes only. This is a retrofit base for existing Sta-Rite and Dyna-Pro pump installations. Pentair Aquatic Systems is not affiliated with Hayward Pool Products.

Super Pump VS



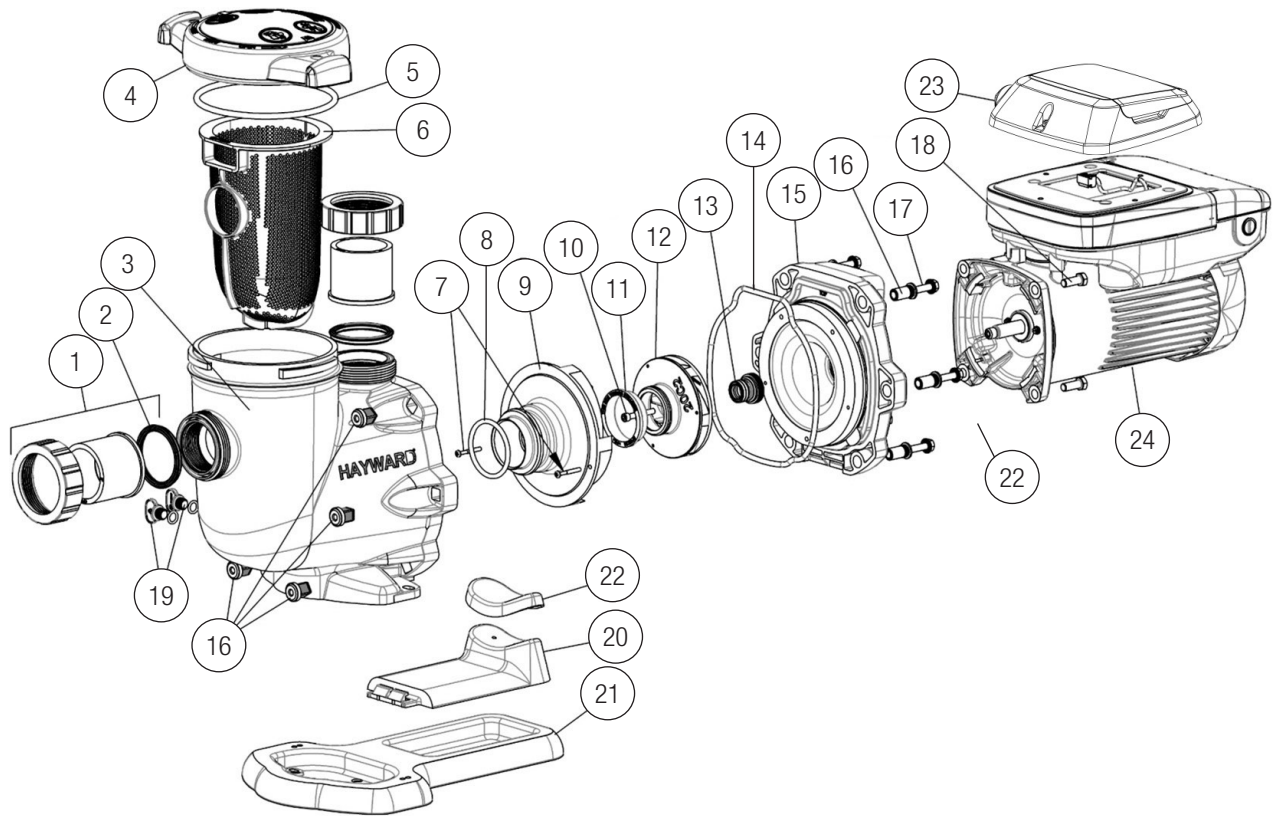
No.	Part Number	Description	Qty.	No.	Part Number	Description	Qty.
1	SPX1600PN	Swivel Nut and Hand Knob	2	11	SPX1600T	Housing Gasket	1
2	SPX1600D	Strainer Cover	1	12	SPX2600E5	Seal Plate	1
3	SPX1600S	Strainer Cover Gasket	1	13	SPX1600F5	Motor Mounting Plate	1
4	SPX1600M	Basket	1	14	SPX0125Z44	Motor Cap Screws (Set of 4)	1
5	SPX4000FG	Drain Plug with Gasket	2	15	SPX1600Z4	Housing Cap Screw	4
6	SPX1620AA	Pump Strainer Housing With Gasket	1	16	SPX1600Z52	Mounting Foot Screws (Set of 2)	1
7	SPX1600R	Diffuser Gasket	1	17	VSXDISPLAYX1	Display Terminal Assembly	1
8	SPX2600B	Diffuser	1	18	SPX2603Z1VSPE	Power End Assembly (Includes #7-14, Motor and Drive)	1
9	SPX2610C	Impeller	1	-	SPX3400DRKIT	Remote Mounted Display Kit	1
10	SPX1600Z2VIT	Shaft Seal Assembly (Viton)	1	-	SPX3200DRCC	Communication Cable Kit	1

TriStar VS 1.85


No.	Part Number	Description	Qty.	No.	Part Number	Description	Qty.
1	SPX3200UNKIT	Union Connector Kit (Includes 2 Nuts, Connectors and Gaskets)	1	14	SPX3200T	Housing O-Ring	1
2	SPX3200UG	Union Gasket	1	15	SPX3200E	Seal Plate	1
3	SPX3200A	Pump Strainer Housing, 2" x 2 -/2" with Drain Plugs	1	16	SPX3200Z211	Housing Insert/Seal Plate Spacer Kit	1
4	SPX3200DLS	Strainer Cover Kit (Includes Strainer Cover, Lock Ring and O-Ring)	1	17	SPX3200Z3	Housing Bolt	1
5	SPX3200S	Strainer Cover O-Ring	1	18	SPX3200Z5	Motor Bolt	1
6	SPX3200M	Strainer Basket	1	19	SPX4000FG	Drain Plug with O-Ring	1
7	SPX3200Z8	Diffuser Screw (5 Pack)	1	20	SPX3200GA	Motor Support	1
8	SPX4000Z1	Diffuser O-Ring	1	21	SPX3200WF	Optional Riser Base aligns with Pentair® WhisperFlo® pump*	1
9	SPX3200B3	Diffuser	1	22	SPX3200Q	Motor Support Adapter	1
10	SPX3200Z1	Impeller Screw	1	23	VSDISPLAYX1	Display Terminal Assembly	1
11	SPX3021R	Impeller Ring	1	24	SPX3202Z1VSPE	Power End Assembly (Includes #7-15, 2 ea. #16-17, #18, #24 and Motor Assy)	1
12	SPX3210C	Impeller with Impeller Screw	1	-	SPX3400DRKIT	Remote Mounted Display Kit	1
13	SPX4000SAV	Shaft Seal Assembly (Viton)	1	-	SPX3200DRCC	Communication Cable Kit	1

*WhisperFlo is a registered trademark of Pentair Aquatic Systems, which is used herein for identification purposes only. This is a retrofit base for existing WhisperFlo pump installations. Pentair Aquatic Systems is not affiliated with Hayward Pool Products.

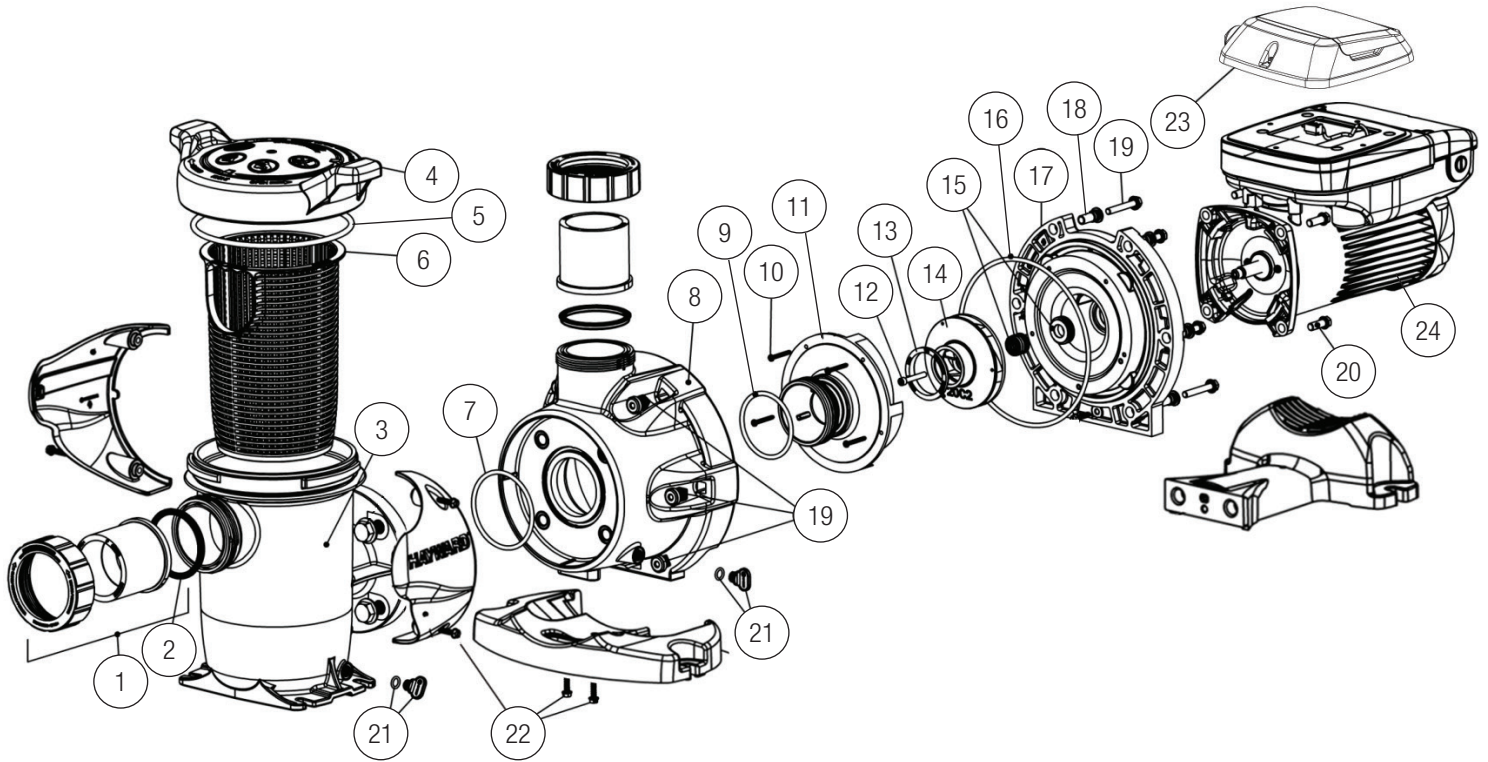
TriStar VS 2.70



No.	Part Number	Description	Qty.	No.	Part Number	Description	Qty.
1	SPX3200UNKIT	Union Connector Kit (Includes 2 Nuts, Connectors and Gaskets)	1	14	SPX3200T	Housing O-Ring	1
2	SPX3200UG	Union Gasket	1	15	SPX3200E	Seal Plate	1
3	SPX3200A	Pump Strainer Housing, 2" x 2-½" with Drain Plugs	1	16	SPX3200Z211	Housing Insert/Seal Plate Spacer Kit	1
4	SPX3200DLS	Strainer Cover Kit (Includes Strainer Cover, Lock Ring and O-Ring)	1	17	SPX3200Z3	Housing Bolt	1
5	SPX3200S	Strainer Cover O-Ring	1	18	SPX3200Z5	Motor Bolt	1
6	SPX3200M	Strainer Basket	1	19	SPX4000FG	Drain Plug with O-Ring	1
7	SPX3200Z8	Diffuser Screw (5 Pack)	1	20	SPX3200GA	Motor Support	1
8	SPX4000Z1	Diffuser O-Ring	1	21	SPX3200WF	Optional Riser Base aligns with Pentair® WhisperFlo® pump*	1
9	SPX3200B3	Diffuser	1	22	SPX3200Q	Motor Support Adapter	1
10	SPX3200Z1	Impeller Screw	1	23	VSXDISPLAYX1	Display Terminal Assembly	1
11	SPX3021R	Impeller Ring	1	24	SPX3206Z1VSPE	Power End Assembly, Non-SVRS (Includes #7-15, 2 ea. #16-17, #18, #24 and Motor Assembly)	1
12	SPX3220C	Impeller with Impeller Screw	1	-	SPX3400DRKIT	Remote Mounted Display Kit	1
13	SPX4000SAV	Shaft Seal Assembly (Viton)	1	-	SPX3200DRCC	Communication Cable Kit	1

* WhisperFlo is a registered trademark of Pentair Aquatic Systems, which is used herein for identification purposes only. This is a retrofit base for existing WhisperFlo pump installations. Pentair Aquatic Systems is not affiliated with Hayward Pool Products.

TriStar XL VS



No.	Part Number	Description	Qty.	No.	Part Number	Description	Qty.
1	HCXP3000UNKIT	Union Connector Kit (Includes 2 Nuts, Connectors and Gaskets)	1	14	HCXP3020C	Impeller with Impeller Screw	1
2	HCXP3000UG	Union Gasket	1	15	SPX4000SAV	Shaft Seal Assembly	1
3	HCXP3000H	Strainer Housing with Drain Plug	1	16	HCXP369V70	Pump Housing O-Ring	1
4	HCXP3000DLS	Strainer Cover Kit (Includes Strainer Cover, Lock Ring and O-Ring)	1	17	HCXP3000E	Seal Plate	1
5	SPX4000S	Strainer Cover O-Ring	1	18	SPX3200Z211	Housing Insert/Seal Plate Spacer Kit	1
6	HCXP3000M	Strainer Basket	1	19	SPX3200Z3	Housing Bolt	1
7	HCXP343V70	Strainer Housing Flange O-Ring	1	20	SPX3200Z5PAK4	Motor Bolt (4 Pack)	1
8	HCXP3000A	Pump Housing with Drain Plug	1	21	SPX4000FG	Drain Plug with O-Ring	1
9	HCXP338V60	Diffuser O-Ring	1	22	SPX1600Z52	Base Screws (2 Pack)	1
10	SPX3200Z8	Diffuser Screws (5 Pack)	1	23	VSDISPLAYX1	Display Terminal Assembly	1
11	HCXP3000B	Diffuser	1	24	HCXP3020Z1VSPE	Power End Assembly (Includes #10-18, 2 ea. #19-20, #21, #27 and Motor Assy)	1
12	SPX3200Z1	Impeller Screw	1	-	SPX3400DRKIT	Remote Mounted Display Kit	1
13	HCXP3000R	Impeller Ring	1	-	SPX3200DRCC	Communication Cable Kit	1



HAYWARD®

Supplier's Declaration of Conformity

47 CFR § 2.1077 Compliance Information

Unique Identifier: MaxFlo®, Super Pump, and TriStar® Series Variable Speed Pumps
FCC Responsible Party: Hayward Industries, Inc.
One Hayward Industrial Drive Clemmons, NC 27012 www.hayward.com

Contains FCC ID: RNW-BT923

Contains IC ID: 5110A-BT923

In order to avoid the possibility of exceeding the FCC radio frequency exposure limits, human proximity to the antenna should not be less than 20 cm during operation.

This device complies with part 15 of the FCC Rules. Operation is subject to the following two conditions: (1) This device may not cause harmful interference, and (2) this device must accept any interference received, including interference that may cause undesired operation.

Changes or modifications not expressly approved by Hayward could void the user's authority to operate this equipment.

NOTE: This equipment has been tested and found to comply with the limits for a Class B digital device, pursuant to Part 15 of the FCC Rules. These limits are designed to provide reasonable protection against harmful interference in a residential installation. This equipment generates, uses and can radiate radio frequency energy and, if not installed and used in accordance with the instructions, may cause harmful interference to radio communications. However, there is no guarantee that interference will not occur in a particular installation. If this equipment does cause harmful interference to radio or television reception, which can be determined by turning the equipment off and on, the user is encouraged to try to correct the interference by one or more of the following measures:

- Reorient or relocate the receiving antenna.
- Increase the separation between the equipment and receiver.
- Connect the equipment into an outlet on a circuit different from that to which the receiver is connected.
- Consult the dealer or an experienced radio / TV technician for help.

This Class B digital apparatus complies with Canadian ICES-003.
Cet appareil numérique de la classe B est conforme à la norme NMB-003 du Canada.

This device complies with Industry Canada license exempt RSS standard(s). Operation is subject to the following two conditions: (1) This device may not cause interference, and
(2) This device must accept any interference, including interference that may cause undesired operation of the device.

Le présent appareil est conforme aux CNR d'Industrie Canada applicables aux appareils radio exempts de licence. L'exploitation est autorisée aux deux conditions suivantes:

- (1) l'appareil ne doit pas produire de brouillage, et
- (2) l'utilisateur de l'appareil doit accepter tout brouillage radioélectrique subi, même si le brouillage est susceptible d'en compromettre le fonctionnement.



HAYWARD®

HAYWARD® Pool Products Limited Warranty

Hayward Pool Products, Inc., warrants the components of this product to be free from defects in materials and workmanship during the warranty period. Please visit <https://hayward.com/support/resources/warranty> for product warranty details.

The limited warranty excludes damage from freezing, negligence, improper installation, improper use or care, Acts of God or as specified in installation and operations manual. Parts that fail or become defective during the warranty period shall be repaired or replaced, at our option.

Proof of purchase is required for warranty service. In the event proof of purchase is not available, the manufacturing date of the product will be the sole determination of the purchase date.

To obtain warranty service, please contact the place of purchase or the nearest Hayward Authorized Service Center. For assistance on your nearest Hayward Authorized Service Center, please visit us at <https://hayward.com/dealerlocator>.

Hayward shall not be responsible for cartage, removal, repair or installation labor or any other such costs incurred in obtaining warranty replacements or repair.

The Hayward Pool products warranty does not apply to components manufactured by others. For such products, the warranty established by the respective manufacturer will apply.

The express limited warranty above constitutes the entire warranty of Hayward Pool Products with respect to its pool products and is in lieu of all other warranties expressed or implied, including warranties of merchantability or fitness for a particular purpose. In no event shall Hayward Pool products be responsible for any consequential, special or incidental damages of any nature.

Some states do not allow a limitation on how long an implied warranty lasts, or the exclusion of incidental or consequential damages, so the above limitation may not apply to you. This warranty gives you specific legal rights, and you may also have other rights, which vary from state to state.


Hayward Industries, 1415 Vantage Park Dr., Suite 400, Charlotte, NC 28203

***Supersedes all previous publications**

Register your product at <https://hayward.com/support/resources/warranty/product-registration>

For further information or consumer
technical support, visit our website at
www.hayward.com



 Hayward is a registered trademark of Hayward Industries, Inc. © 2026 Hayward Industries, Inc.
The Bluetooth® word mark and logos are registered trademarks owned by Bluetooth SIG, Inc. and any use of such marks by Hayward is under license.

All other trademarks not owned by Hayward are the property of their respective owners. Hayward is not in any way affiliated with or endorsed by those third parties. For patent information, refer to www.hayward.com/patents.

USE ONLY HAYWARD GENUINE REPLACEMENT PARTS