

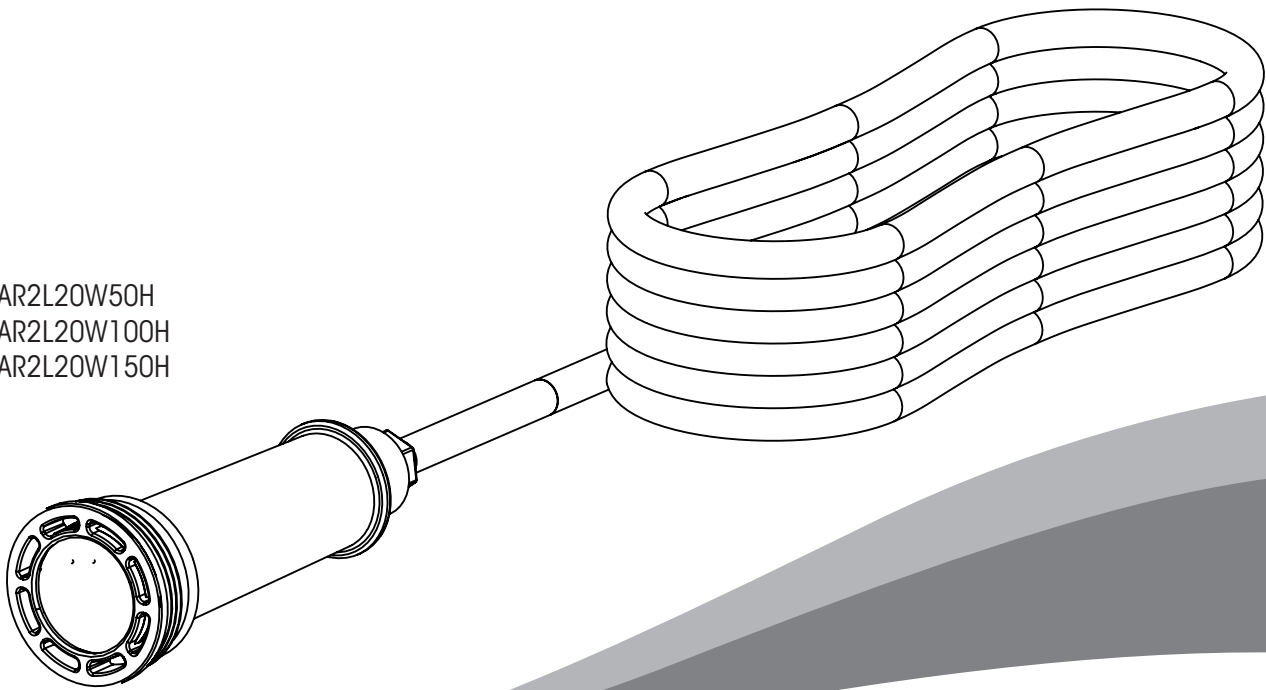


CALIGLOW™ PRO

Owner's Manual

CALIGLOW™ PRO 2" POOL LIGHT | H-MODE POOL/SPA LED LIGHT

CMAR2L20W50H
CMAR2L20W100H
CMAR2L20W150H




Contents


| | |
|--------------------------|----|
| Safety Instructions..... | 1 |
| Introduction..... | 4 |
| Installation..... | 6 |
| Operation..... | 9 |
| Warranty..... | 11 |


IMPORTANT SAFETY INSTRUCTIONS


When using this electrical equipment, basic safety precautions should always be followed, including the following:


READ AND FOLLOW ALL INSTRUCTIONS:


 **WARNING** – Read and follow all instructions in this manual and on the equipment. Failure to do so may result in serious injury or death.



 **DANGER** – Incorrect installation or use of this light can cause serious injury or death. Follow all instructions carefully.

 **DANGER** – Installers, pool operators, and owners must read and understand all warnings and instructions before using this pool or spa light.



 **WARNING** – State and local codes regulate the construction and operation of pools and spas. Always comply with applicable building and health codes when installing and using this product. Consult your local building and health codes for more info.

 **ATTENTION** – This manual contains important information regarding the safe installation, operation, and use of this underwater light. Provide this manual to the owner or operator. Failure to follow all warnings and instructions may result in serious injury, death, or property damage.

 **WARNING** – Prevent Child Drowning. Always supervise children. Do not allow anyone to sit, step, lean, or climb on pool equipment. Install operational components at least 5 ft (1.5 m) from the pool to prevent children from using equipment to access the pool.

  **DANGER** – Risk of Electric Shock or Electrocution. Underwater pool lights require high voltage which can shock, burn, or cause death.

Before working on or servicing pool lights, ALWAYS DISCONNECT power to the pool and/or spa lights at the source circuit breaker. Failure to do so could result in death or serious injury to service person, pool users or others due to electric shock. When installing and using this electrical equipment, basic safety precautions should always be followed.

  **DANGER** – Risk of Electric Shock. This underwater light must be installed by a licensed or certified electrician or a qualified pool professional in accordance with the current National Electrical Code (NEC), NFPA 70 or the Canadian Electrical Code (CEC), CSA C22.1. All applicable local installation codes and ordinances must also be adhered to. Improper installation will create an electrical hazard which could result in death or serious injury to pool users, installers or others due to electrical shock, and may also cause damage to power source. Always disconnect the power to the pool light at the circuit breaker before servicing the light. Failure to do so could result in death or serious injury to service person, pool users or others due to electrical shock.

For countries in compliance with International Electrotechnical Commission (IEC) regulatory standards: The light fixture must be installed by a licensed or certified electrician or a qualified pool service person, in accordance with current IEC 364-7-702 and all applicable local codes and ordinance. Improper installation will create an electrical hazard, which could result in death or serious injury to pool user, installer or other due to electrical shock and may also cause damage to the property.



IMPORTANT SAFETY INSTRUCTIONS



WARNING – Risk of Electrical Shock. **Connect only to a branch circuit protected by a ground-fault circuit-interrupter (GFCI).**

Contact a qualified electrician if you cannot verify that the circuit is protected by a GFCI. This light must be connected only to a supply circuit that is protected by a ground-fault circuit-interrupter (GFCI). Such a GFCI should be provided by the installer and should be tested on a routine basis. To test the GFCI, push the test button. The GFCI should interrupt power. Push the reset button. Power should be restored. If the GFCI fails to operate in this manner, the GFCI is defective. If the GFCI interrupts power to the light without the test button being pushed, a ground current is flowing, indicating the possibility of an electric shock. Do not use this light. Disconnect the light and have the problem corrected by a qualified service representative before using. Locate your pool so that the wall is at least 10 feet (3.048 m) from all electrical receptacles and at least 20 feet (6.1 m) from all receptacles not protected by a GFCI. It is also very important to locate the pool so that it is not under any electrical wiring, that is less than 18 feet (5.49 m) vertically above the pool wall and within an area located 10 feet outside the pool walls. The pool must also never be located under any lighting fixture or within 5 feet (1.5 m) measured horizontally from any fixture mounted less than 5 feet (1.5 m) vertically above the pool water level.

NOTICE – The external flexible cable or cord of this luminaire cannot be replaced; if the cord is damaged, the luminaire should be discarded/destroyed.

INSTALLERS AND INSPECTORS: The CaliGlow™ Pro

Pool Light and plastic niche form a complete non-metallic low voltage lighting system. This configuration does not require bonding or grounding when powered by a listed, Class 2, 100-Watt or 300-Watt transformer and installed in compliance with the current National Electric Code (NEC).

UNBONDED LIGHTING NEC PROVISIONS: When the UL listed non-metallic CaliGlow™ Pro low voltage lights are used with the CaliGlow™ Pro 2" approved niches, the current NEC provides an exception to luminaire bonding and grounding in Article 680.6 and 680.23

POOL WATER BONDING NEC PROVISIONS: For Pool Water Bonding required by NEC Article 680.26C, concrete pools are considered conductive (refer to 680.26 (b)(1) due to the porosity of concrete and the bonding of rebar. No additional bonding is required.

POOL AND SPA FIXED LUMINARIES: Follow these guidelines when installing or replacing The CaliGlow™ Pro Pool Light fixed luminaires:

FOR LIGHT OPERATION, ONLY USE A SAFETY ISOLATION TRANSFORMER. NOTE: Connect both wires to the corresponding circuit wires in the Junction Box (black wire to power, and white wire to common)
FIXED POOL AND SPA LUMINAIRES SPECIFICATION:
12 VAC 50/60 Hz

NOTICE – The CaliGlow™ Pro Pool Light is a non-servicable light. The complete light assembly must be replaced. Connecting the unit improperly will damage the light. 12-14 VAC only.

SAVE THESE INSTRUCTIONS

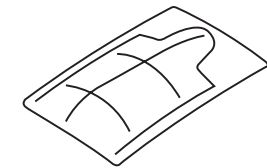
INTRODUCTION

This manual explains how to install, replace, and operate the CaliGlow™ Pro 2" Pool Light for pools and spas. These energy-efficient LED lights deliver a vibrant range of colors to enhance any pool environment. Select from dynamic color light shows or fixed color settings to create a wide variety of dramatic underwater lighting effects for your pool or spa.

Technical Specifications

| | |
|------------------------|--|
| Nominal Supply Voltage | 12-14 VAC, 50/60 Hz |
| Power Consumption | 19 Watts Max Per Light |
| Fault Protection Run | Dry Thermal Cut Off. Over Current Fuse Protection. |

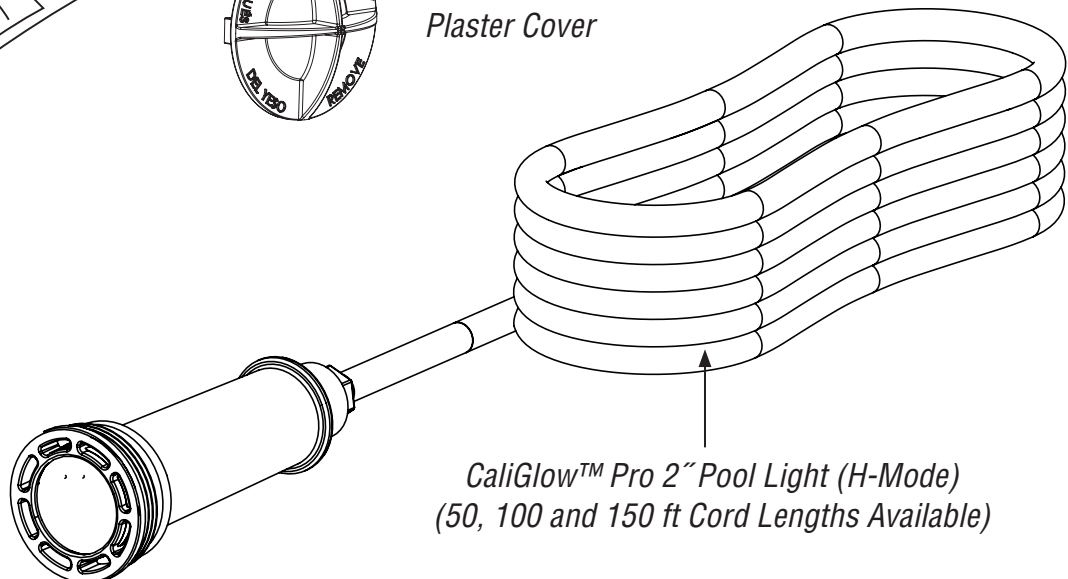
What's Included



O-Ring Lube



*Installation Tool
Plaster Cover*



*CaliGlow™ Pro 2" Pool Light (H-Mode)
(50, 100 and 150 ft Cord Lengths Available)*



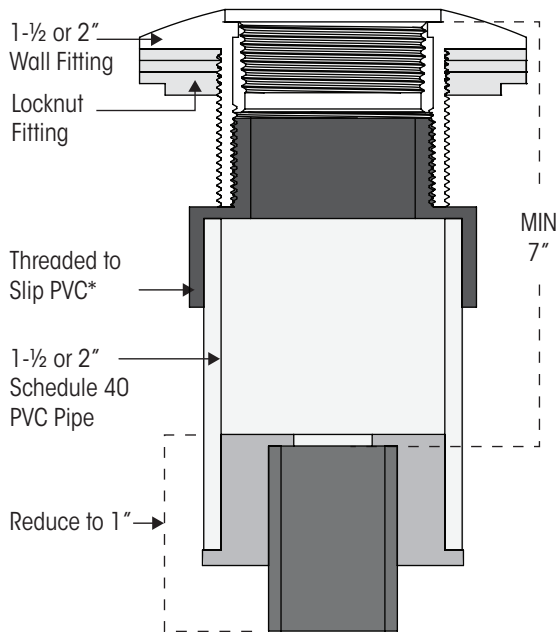
Compatibility

The CaliGlow™ Pro Pool Light is installed with either 1-1/2" or 2" Schedule 40 PVC pipe with the appropriate reducers.

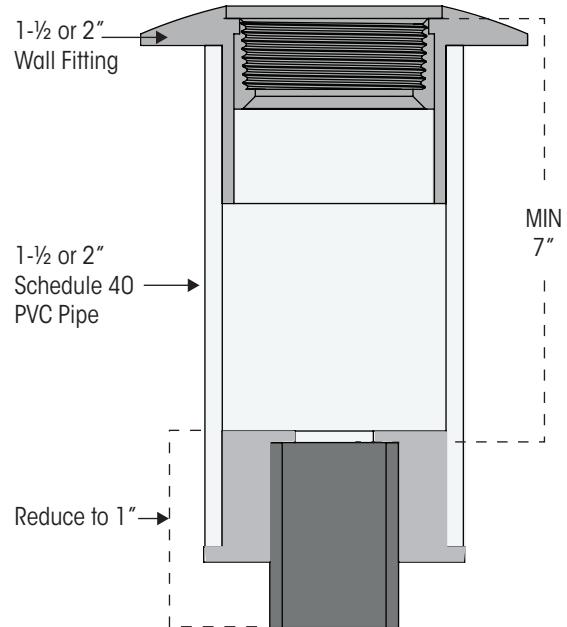
IMPORTANT - There must be a **minimum vertical clearance of 7 in.** between the topmost thread of the wall fitting and the seating surface of the bottom reducer.

Assemble the PVC pipe and required reducers to maintain the minimum 7" clearance as shown below.

Fiberglass/Vinyl

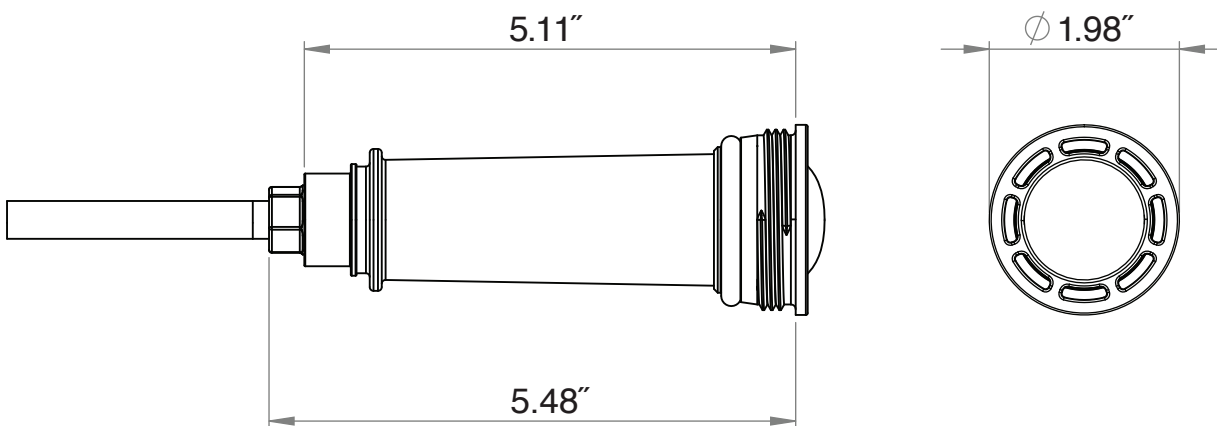


Gunite



* Ensure that the luminaire can freely pass through the 1-1/2" threaded male/slip adapter before gluing.

CaliGlow™ Pro 2" Pool Light Dimensions





INSTALLATION

Wiring Overview

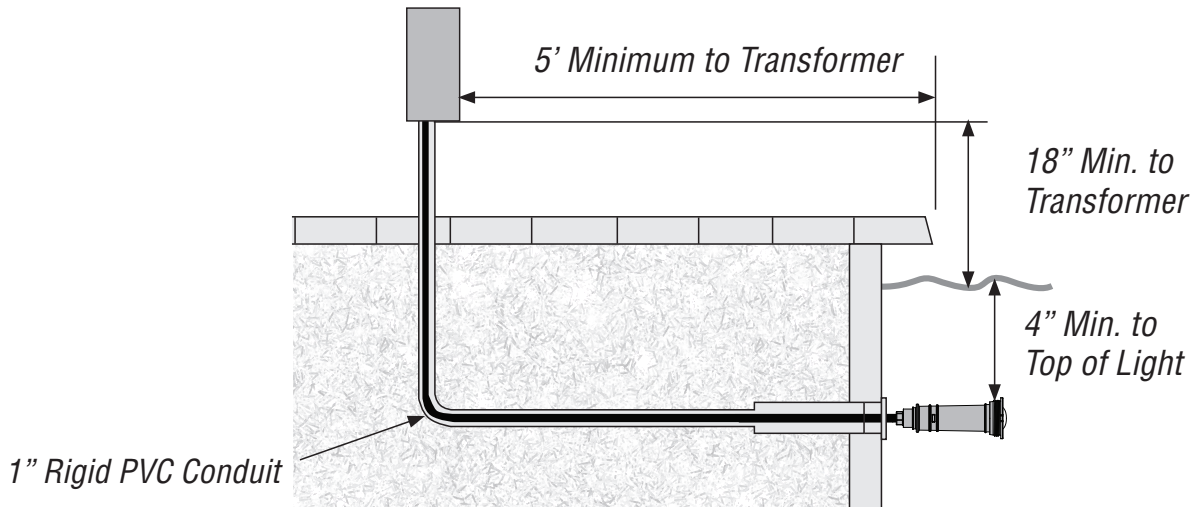
IMPORTANT - The following information describes the tasks that must be completed by an electrician before the light fixture is installed.

⚠ WARNING – Be sure that the pool or spa meets the requirements of the current National Electrical Code (N.E.C.) Article 680-22 and all local codes and ordinances. A licensed or certified electrician must install the electrical system to meet or exceed those requirements before the underwater light is installed. Some of the requirements of the National Electrical Code which the pool's electrical system must meet are as follows:

- The CaliGlow™ Pro Pool Light Fixture requires a Class 2, isolating low voltage ungrounded output (100W or 300W) 120VAC / 12- 14 VAC step down transformer.
- The lighting circuit has a Ground Fault Circuit Interrupter (GFCI) for 120 VAC transformers and has an appropriately rated circuit breaker. The conductors on the load side of the GFCI circuit shall not occupy conduit, boxes, or enclosures containing other conductors unless the additional conductors are also protected by a GFCI. Refer to current local codes for complete details. 1" PVC electrical conduit needs to be installed from the pool light power supply/ transformer location to the rear of the supplied niche/ sleeve.
- The Junction Box and the low voltage transformer is located at least 8 in. (20.3 cm) above water level, at least 4 in. (10.15 cm) above ground level and at least 48 in. (1.22 m) from the edge of the pool.
- The CaliGlow™ Pro Pool Light must be properly installed so that the top edge of the lens of the product is at least 4 in. (10.15 cm) below (not more than 48 in. [121.8 cm] below in Canada) the surface of the water in the pool or spa. Power on unit through customer provided timer, light switch or automated control.
- To be certain that the pool or spa electrical system meets all applicable requirements, the electrician should also consult the local building department.
- After installation, power on light fixture through customer provided timer, light switch or automated control.

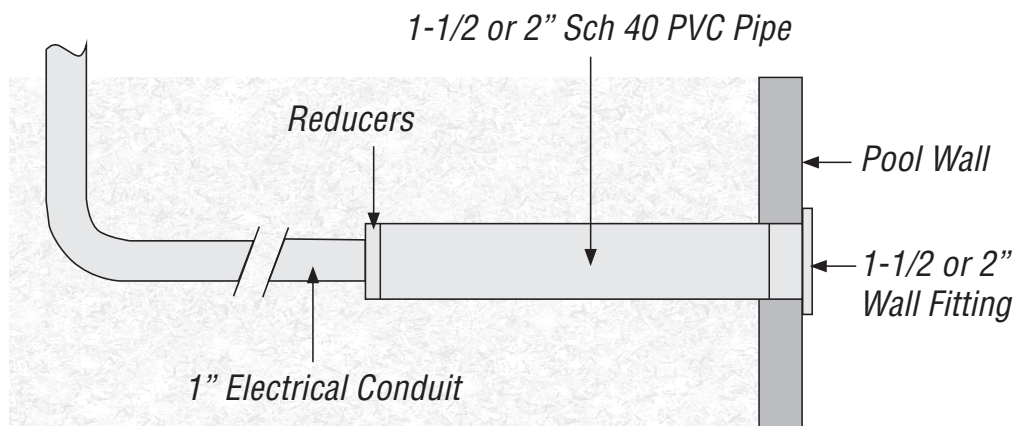


Installation Overview



Pipe Sleeve Installation

NOTE: Ensure installation includes proper reducers to accommodate a 1\"/>



1. Identify installation location on a vertical wall. The top lens of the light must be a minimum of 4\"/>
- 2. Install a 1-1/2\"/>
- 3. Allow at least 1\"/>
- 4. Reduce the assembly to 1\"/>
- 5. Glue the 1\"/>
- 6. Apply PVC cement to the inside of the sleeve. Slide the corresponding wall fitting (1-1/2\"/>
- 7. Apply plaster to the pool wall up to the outer edge of the wall fitting trim ring. **Be sure not to fill the fitting and or fitting threads with pool plaster.**

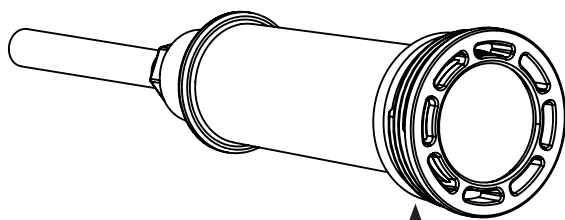
Light Installation

IMPORTANT - Make sure the power is OFF at the intended transformer.

1. Route the CaliGlow™ Pro Pool Light 16/2 AWG power cord through the wall fitting and pipe sleeve to the 12-14 VAC pool transformer or junction box with a 14V tap. Leave at least 6" (15.2 cm) of extra cord at the transformer/junction box.
2. Strip the two conductors and connect them to the corresponding wires in the transformer/junction box. **Be careful not to damage the copper conductor.** Secure the enclosure cover.

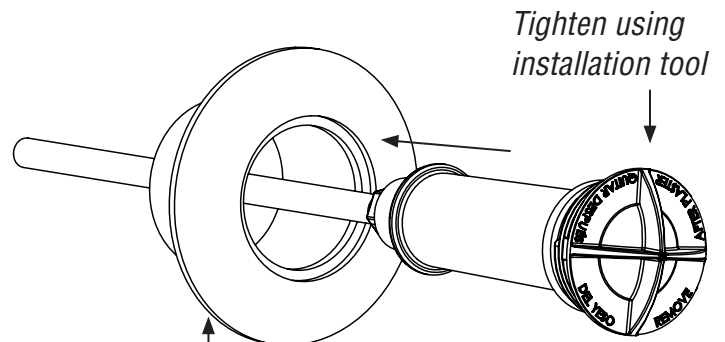
IMPORTANT - This light is designed for underwater use only. Only operate the light out of water for a brief test (UNDER 1 MINUTE) or damage may occur.

3. Before locking into the pipe sleeve, test the light by turning on power at the transformer for **LESS THAN ONE MINUTE**. **Be sure that all line and load side wiring is complete and not exposed.**
4. After turning off power, apply thread tape to the threads around the lens retainer.



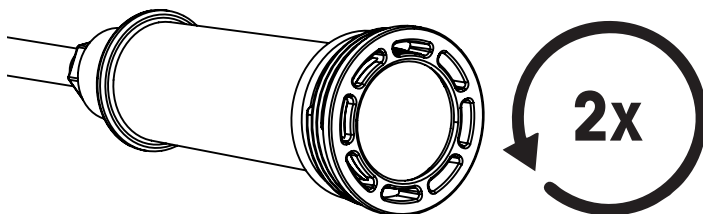
Apply Thread Tape to Threads

6. Tighten the light into the wall fitting using the supplied installation tool. Do not overtighten.

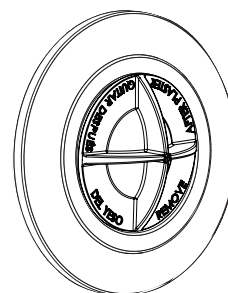


1-1/2" or 2" Wall Fitting

5. Before securing into the wall fitting, turn the light two turns counterclockwise to pre-load the cable and reduce tension.



7. Leave the installation tool on the light to serve as a protective cover until pool construction is complete.



Leave installation tool in place



OPERATION

H Mode

Light colors and shows are controlled through power-cycling: a method of changing light programs by turning the light off and on, removing the need for a special controller or interface. The number assigned to each light show and color represents the number of power-cycles necessary to activate it.

- To activate the light: Turn on the switch.
- To deactivate the light: Turn off the switch.
- To advance to the next light program (fixed color or color show): Turn off the switch and turn back on within 10 seconds. Repeat until you reach the desired light program.

When the light has been off for over 60 seconds, and is first turned on, it will illuminate white for 15 seconds, then proceed to the last running fixed color or color show.

NOTE: Do not power cycle the light during the first 15 seconds of white to prevent losing synchronization with other connected lights.

Light Synchronization

CaliGlow™ Pro lights can synchronize with Hayward ColorLogic lights so they all display the same colors and shows at the same time. For light synchronization, all lights must be wired to the same switch. Once installed, all lights should automatically synchronize. To re-synchronize your lights, turn the switch on, then back off. Wait between 11 and 14 seconds and turn the switch back on. When the lights come back on, they should enter Program #1 (Voodoo Lounge) and be synchronized.

| H-MODE LIGHT SHOWS AND SOLID COLORS | | |
|-------------------------------------|------------------------|-------------------------|
| 1. Show-Voodoo Lounge | 10. Fixed-Vivid Violet | 19. Fixed-Orange |
| 2. Fixed-Deep Blue Sea | 11. Fixed-Sangria | 20. Fixed-Gold |
| 3. Fixed-Royal Blue | 12. Show-Twilight | 21. Fixed-Mint |
| 4. Fixed-Afternoon Skies | 13. Show-Tranquility | 22. Fixed-Teal |
| 5. Fixed-Aqua Green | 14. Show-Gemstone | 23. Fixed-Burnt Orange |
| 6. Fixed-Emerald | 15. Show-USA | 24. Fixed-Pure White |
| 7. Fixed-Cloud White | 16. Show-Mardi Gras | 25. Fixed-Crisp White |
| 8. Fixed-Warm Red | 17. Show-Cool Cabaret | 26. Fixed-Warm White |
| 9. Fixed-Flamingo | 18. Fixed-Yellow | 27. Fixed-Bright Yellow |

⚠ WARNING — During off/on power cycling, prior to the selected show/color displaying, no illumination will occur. This is normal during the cycling process. During this period, the pool/spa will be dark and precautions should be taken to avoid any unforeseen accidents. Failure to observe this warning may result in serious injury or death to pool/spa users.



CALIGLOW™ PRO

NOTES



CaliGlow™ Pro Products Limited Warranty

CaliMar Pool Products USA, Inc., warrants the components of this product to be free from defects in materials and workmanship during the 3-year warranty period.

The limited warranty excludes damage from freezing, negligence, improper installation, improper use or care, Acts of God or as specified in installation and operations manual. Parts that fail or become defective during the warranty period shall be repaired or replaced, at our option.

Proof of purchase is required for warranty service. In the event proof of purchase is not available, the manufacturing date of the product will be the sole determination of the purchase date.

To obtain warranty service, please contact the place of purchase.

CaliMar shall not be responsible for cartage, removal, repair or installation labor or any other such costs incurred in obtaining warranty replacements or repair.

CaliMar Pool Products' warranty does not apply to components manufactured by others. For such products, the warranty established by the respective manufacturer will apply.

The express limited warranty above constitutes the entire warranty of CaliMar Pool Products with respect to its pool products and is in lieu of all other warranties expressed or implied, including warranties of merchantability or fitness for a particular purpose. In no event shall CaliMar be responsible for any consequential, special or incidental damages of any nature.

Some states do not allow a limitation on how long an implied warranty lasts, or the exclusion of incidental or consequential damages, so the above limitation may not apply to you. This warranty gives you specific legal rights, and you may also have other rights, which vary from state to state.

CaliMar Pool Products USA, Inc. Phone: (888) 635-0330 | sales@calimarpool.com

*Supersedes all previous publications



CALIGLOW™ PRO

**For further information or consumer
technical support, visit our website at
www.calimarpool.com**