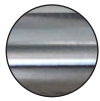
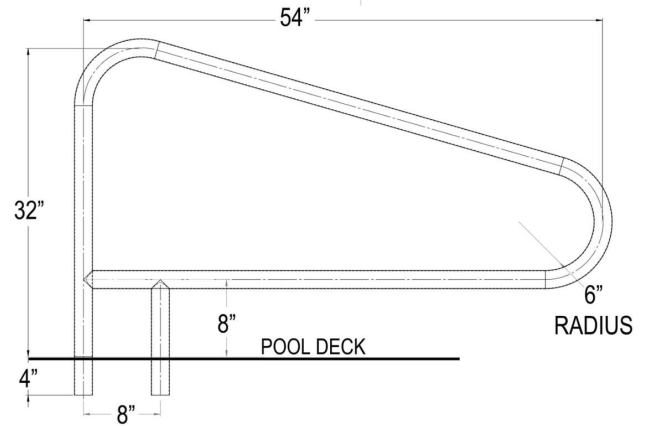
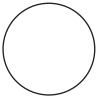


# Classic 3 Bend Welded Brace Handrail™

- 304 stainless steel construction
- Constructed of 1.9" OD and .049" or .065" wall thickness
- Powder coat and marine grade options are salt water friendly



Polished



White



Sand



Global Grey



Copper Vein



Silver Vein

Part Numbers	Descriptions
GPP-RL-C49-3BND-WB-SS	Classic 3 Bend Handrail Welded Brace .049" Wall Polished
GPP-RL-C49-3BND-WB-WH	Classic 3 Bend Handrail Welded Brace .049" Wall White
GPP-RL-C49-3BND-WB-SD	Classic 3 Bend Handrail Welded Brace .049" Wall Sand
GPP-RL-C49-3BND-WB-GR	Classic 3 Bend Handrail Welded Brace .049" Wall Global Grey
GPP-RL-C49-3BND-WB-SV	Classic 3 Bend Handrail Welded Brace .049" Wall Silver Vein
GPP-RL-C49-3BND-WB-CV	Classic 3 Bend Handrail Welded Brace .049" Wall Copper Vein
GPPOTE-A4C8	4" Double Socket Anchor on 8" Channel

Part numbers indicate .049" wall thickness. For .065" wall thickness, replace "C49" with "C65".  
Can be upgraded to Marine Grade 316. When ordering, add "-M" following the color code.

*Anchor not included.*

