

HRVR SERIES

SIDE MOUNT MEDIA FILTERS

Waterco fiberglass filters embody the latest in fiberglass winding technology. The filters are constructed from anti-corrosive, nontoxic materials and are engineered to withstand the high flow and pressures of today's demanding installations. With the reinforced neck ring and solid lid closure this filter is the best for today's most demanding projects. Maximum operating pressure: 58PSI

- **Internal Bulkhead Wall reinforced for superior structural integrity**
- **Retro Fit Design with 7.5" Port Spacing for direct replacement for Pentair's Triton**
- **Positive 8" clamping design for larger internal access**
- **2" Bulkhead Connections**
- **1.5 " Drain Assembly**
- **Fishtail Laterals for improved backwashing hydraulic efficiency**
- **Saves up to 30% waste water**
- **Industry Leading 10 Year Tank Warranty**

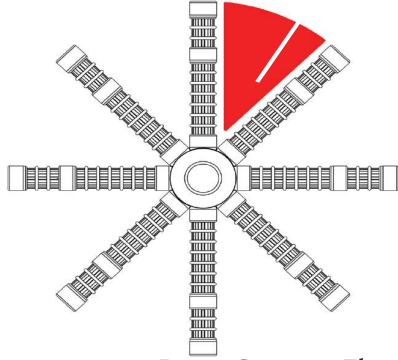


Certified to
NSF/ANSI Standard 50

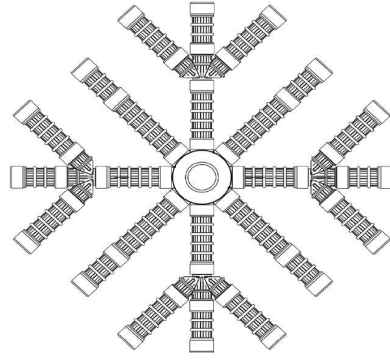


BEST IN CLASS - FEATURING OUR FISHTAIL LATERAL SYSTEM

Dead Space Between Laterals



Dead Space Virtually Eliminated



- Better Coverage Eliminates Dead Space
- Engineered to Improve Backwash Efficiency
- Reduces Filtration pressure loss
- In combination with Waterco's Glass Pearls saves up to 30% of backwash water

HRVR SIDE MOUNT SAND FILTER

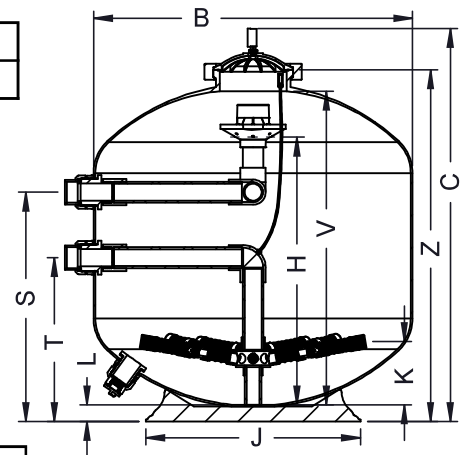
PART NUMBER	PRODUCT DESCRIPTION	NSF
22207248R	HRVR 24 2" BH CONN. 58 PSI (NSF) 7.5" PORT SPACING	✓
22207308R	HRVR 30 2" BH CONN. 58 PSI (NSF) 7.5" PORT SPACING	✓
22207368R	HRVR 36 2" BH CONN. 58 PSI (NSF) 7.5" PORT SPACING	✓

VALVES

PART NUMBER	PRODUCT DESCRIPTION
2290516NA	MPV 2" SM NPT WITH PIPING AND HRVR UNION 7.5" PORT

DIMENSIONS

MODEL	B	C	H	J	K	L	S	T	V	Z
INCHES										
HRVR 24	24.6	37.3	23.1	19.0	4.2	2.5	21.125	13.625	27.8	32.1
HRVR 30	31.1	41.5	23.5	23.0	5.7	4.7	23.750	16.250	29.4	36.3
HRVR 36	36.5	45.5	30.8	24.6	7.4	1.9	26.250	18.750	35.8	40.2



SPECIFICATIONS

MODEL	PORT SIZE	BED DEPTH	INNER DIAM.	FILTER AREA	MAX FLOW	MAX POOL SIZE	BACK-WASH FLOW RATE	MEDIA VOLUME	GLASS PEARL 0.6-0.8	SAND 0.6-1.2
	INCH	INCH	INCH	SQ FT	GPM	GAL	GPM	GAL	LB	LB
HRVR 24	2.0	11.0	24	3.14	63	22,680	47-63	24	360	325
HRVR 30	2.0	12.0	30	4.91	98	35,280	74-98	45	660	600
HRVR 36	2.0	13.0	36	7.07	141	50,760	106-141	64	950	850