

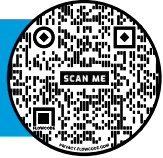
8" ROUND MOFLOW® SUCTION OUTLET COVER AND MUD FRAME



**VGBA CERTIFIED
SPECIFICATIONS**

**Open Area
16.6 in²**

For SOFA Specific Flow Ratings and specifications please scan QR code or visit www.aquastarpoolproducts.com/flowcode



FEATURES

Certified, Listed, and Labeled in conformance with APSP/ANSI/ICC-16 2017 and NSF/ANSI/CAN 50 standards

Manufactured from superior UV-resistant engineered polymers

#316 stainless steel screws

Online product support including downloadable CAD files, General Certificate of Conformity, third-party certificate, installation instructions and more

Replace drain cover every five years from the date of installation

See next page for additional product configurations

36 per case



Part # 8MFxxx

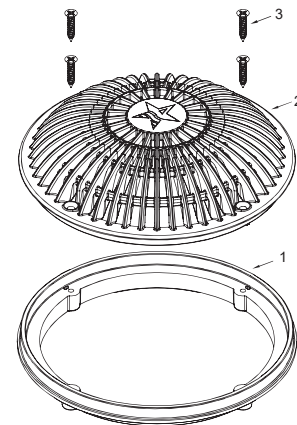
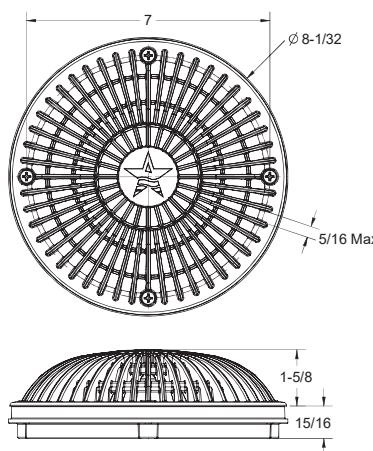
Designed to replace standard 8" round covers that have a 7" center-to-center screw hole measurement

STANDARD COLORS

- 8MF101 – White
- 8MF102 – Black
- 8MF103 – Light Gray
- 8MF104 – Blue
- 8MF105 – Dark Gray
- 8MF108 – Tan

Also available as frame only
p/n 8FRxxx
24 per case

VGBA 2017 Compliant



1. 8" Round Mud Frame
2. 8" Round MoFlow Suction Outlet Cover
3. 10 x 1" Flat Head Phillips, 316 SS, Qty 4

P 877-768-2717 F 877-276-POOL Outside the US: P +1-949-336-1940 F +1-949-336-1940
info@aquastarpoolproducts.com www.aquastarpoolproducts.com CS031-011624

Standard 2" NPT, 2" Socket Extended ABS Sump

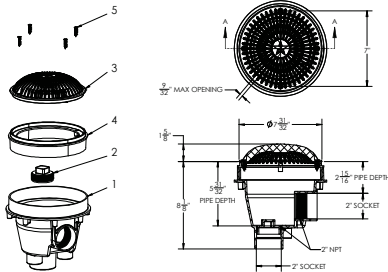
VGBA CERTIFIED SPECIFICATIONS

For SOFA Specific Flow Ratings and specifications please scan QR code or visit www.aquastarpoolproducts.com/flowcode



Part #
8MFSBACxxx
8 per case

Part #
8MFSBAC2xxx
Contractor's 2-Pack
4 per case



1. 8" Sump Bucket For Adjustable Collar
2. 2" NPT Plug
3. 8" Round "MoFlow" Suction Outlet
4. 8" Sump Bucket Adjustable Collar
5. #10 x 1" LG. Flat Head Phillips, Type A Screw, 316 SS, Qty 4

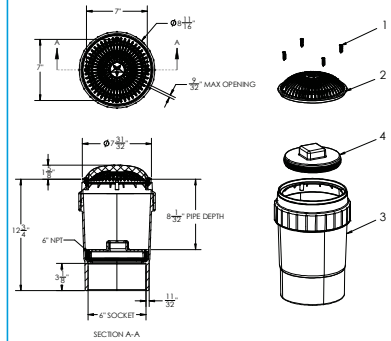
6" Socket Deep PVC Sump

VGBA CERTIFIED SPECIFICATIONS

For SOFA Specific Flow Ratings and specifications please scan QR code or visit www.aquastarpoolproducts.com/flowcode



Part #
8MFxxxF
4 per case



1. #10 x 1" Flat Head Phillips, Type A Screw, 316 SS, Qty 4
2. 8" Round MoFlow Suction Outlet
3. 8" Round Double Deep PVC Sump Bucket
4. Plug, 6" NPT

3" Socket x 4" Spigot Side Port PVC Sump

NSF

Certified to
NSF/ANSI/CAN 50
ANSI/APSP/ICC-16 2017

Open Area
16.6 in²

For SOFA Specific Flow Ratings and specifications please scan QR code or visit www.aquastarpoolproducts.com/flowcode



Hassle-free pressure testing and winterizing



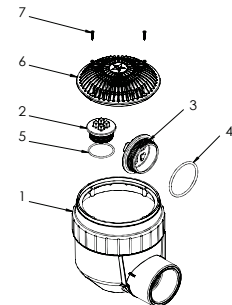
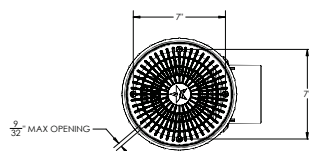
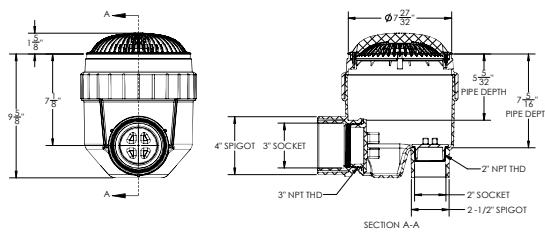
Part #
8MFxxxSSB
4 per case

Hassle-free pressure testing and winterizing
Comes with a 3" and 2" NPT cap with O-ring.
No knock-outs required.

2" Plug and O-Ring, p/n 2SBP101
3" Plug and O-Ring, p/n 3SBP101

NEW

Optional 2" hydrostatic relief valve available
p/n HVK101
See page 90



1. Side Port Sump Bucket, 8" Round Frame
2. Plug, 2" Pipe THD.
3. Plug, 3" Pipe THD.
4. O-Ring, #340, 3.350" ID x .210" THK., EPDM
5. O-Ring, #228, 2.25" ID x .125" THK., EPDM
6. 8" Round MoFlow Suction Outlet
7. #10 x 1" LG. Flat Head Phillips, Type A Screw, 316 SS, Qty 4