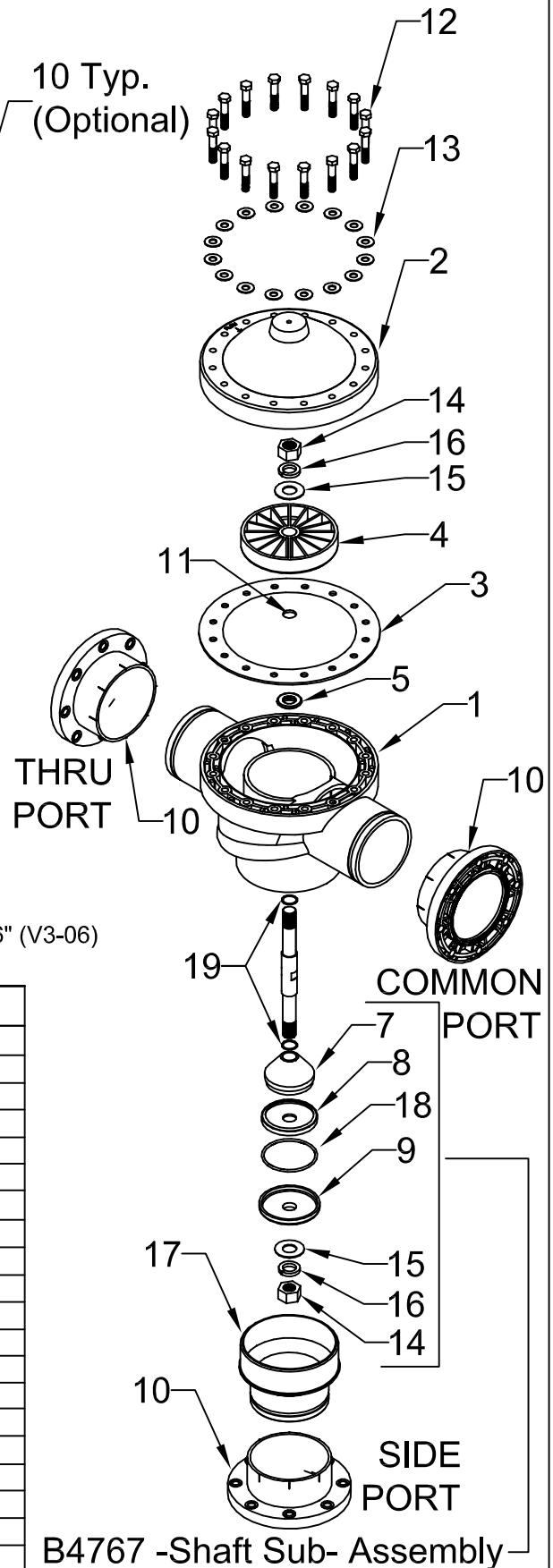
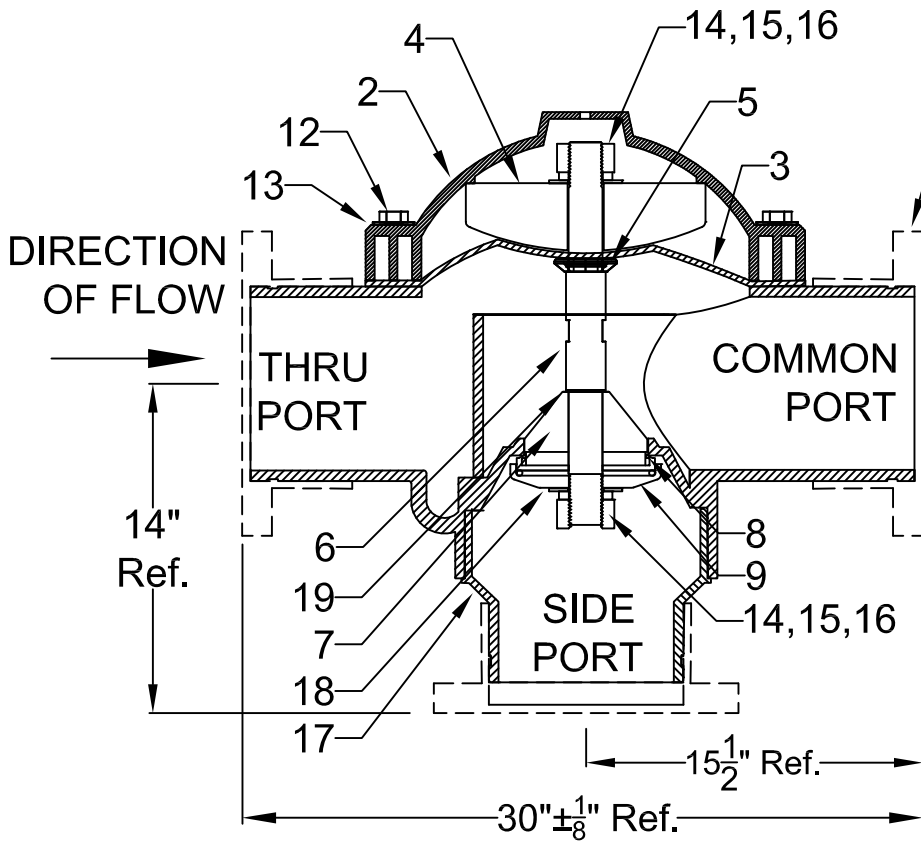


# STARK 8" 3-WAY VALVE ASSEMBLY



| FLANGE SCHEDULE |             | (X=FLANGE) |           |
|-----------------|-------------|------------|-----------|
| VALVE #         | COMMON PORT | SIDE PORT  | THRU PORT |
| V3-08           | X           | X          | X         |
| V3-08A          |             |            | X         |
| V3-08B          |             |            | X         |

NOTE: 3-WAY DIAPHRAGM VALVE IS ALSO AVAILABLE IN 4" (V3-04) & 6" (V3-06)

\* DENOTES PARTS INCLUDED IN DIAPHRAGM REBUILD KIT (V3-08KIT)

| Ref. | Qty: | Part #: | Description:                                       |
|------|------|---------|--|
| 1    | 1    | B4900   | 8" HOUSING, 3-WAY (DIAPHRAGM VALVE)                |
| 2    | 1    | B4782   | 8" COVER, TAPPED (DIAPHRAGM VALVE)                 |
| 3    | 1    | B4780*  | DIAPHRAGM, 8" VALVE, 3-WAY (WITH HOLE)             |
| 4    | 1    | B4905   | 8" PLATE (DIAPHRAGM VALVE)                         |
| 5    | 1    | B4904A  | WASHER, 8" DIAPHRAGM                               |
| 6    | 1    | B4781   | SHAFT, 8" (DIAPHRAGM VALVE)                        |
| 7    | 1    | B4902   | THROTTLING CONE, 8" DIAPHRAGM                      |
| 8    | 1    | B4903*  | 8" SEAL (DIAPHRAGM VALVE)                          |
| 9    | 1    | B4904B* | 8" SEAL SUPPORT (DIAPHRAGM VALVE)                  |
| 10   | x    | B4907   | 8" FLANGE, SOLID (DIAPHRAGM VALVE)                 |
| 11   | A/R  | N/A     | SILICONE SEALANT (100% CLEAR SILICONE)             |
| 12   | 16   | 94936   | HEX HEAD BOLT 3/4" - 10 x 3 3/4" T316L S/S         |
| 13   | 16   | 94860   | FLAT WASHER, 1.75" x .81" x .109" T316L S/S        |
| 14   | 2    | 94939   | HEX NUT, 1-1/2"-6 T316L S/S                        |
| 15   | 2    | 94938   | WASHER, 3.25" x 1.63" x .130" T316L S/S            |
| 16   | 2    | 94940   | SPLIT LOCK WASHER, 1-1/2" T316L S/S                |
| 17   | 1    | B4912   | 10" x 8" BELL REDUCER                              |
| 18   | 1    | B4790*  | O-RING (6-1/8" O.D. x 1/4" WIDE)                   |
| 19   | 2    | B4798*  | FLAT GASKET (1.5" I.D. x 1.75" O.D. x .063" THICK) |
| 20   | 1    | B4642   | 1/4" MPT x QUICK ELBOW (NOT SHOWN)                 |

B4767 -Shaft Sub-Assembly

This data represents the latest knowledge available to us at time of presentation. However Paragon Aquatics and others involved in gathering and presenting this drawing assume no liability for its use.  
© 2011 Paragon Aquatics



**PARAGON AQUATICS**  
Pentair Water  
Commercial Pool & Aquatics

1351 Route 55  
LaGrangeville, NY 12540  
Phone: 845-463-7200  
Fax: 845-463-7291  
www.paragonaquatics.com

Drawn by: JP

Date: 4/23/02

Title: 8" 3-WAY VALVE ASSEMBLY DRAWING

Approved by: JP

Date: 4/23/02

Drawing Number: AI-V3-08

Rev Ltr: F

Sheet: 1 of 1