

# FLOWSTAR® FLOW METER (1½", 2", 2½", 3", 4")



## Superior Flow Meter

For certification and additional details scan QR code



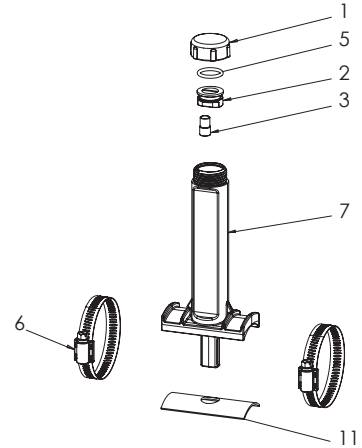
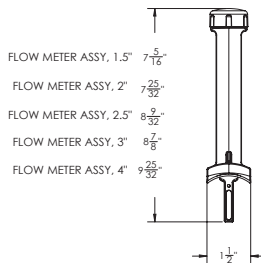
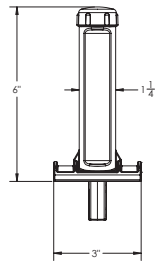
### FEATURES

- Available for 1½", 2", 2½", 3", and 4" schedule 40/80 pipe
- Resistant PVDF internal float materials
- Acceptable for outdoor installations
- One piece molded acrylic body
- Saddle mounts to existing pipe
- Mounting clamps and gasket included
- 12 per case

**NEW** Available for 1½", 2", 2½", 3", and 4" pipe



- Part # FM15 (1½" Pipe)
- Part # FM20 (2" Pipe)
- Part # FM25 (2½" Pipe)
- Part # FM30 (3" Pipe)
- Part # FM40 (4" Pipe)



- 1. Flow Meter Cap
- 2. O-Ring Insert
- 3. Float
- 4. Gasket
- 5. O-Ring
- 6. Band Clamp, Qty 2
- 7. Flow Meter BodyWeld
- 11. Mounting Clamp