

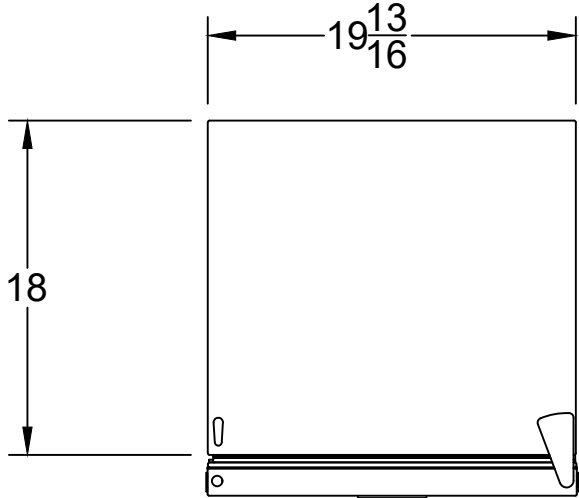


WWW.BULLBBQ.COM

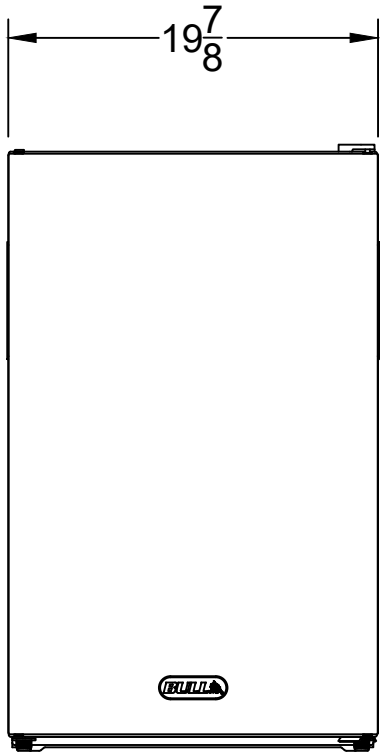
# SPEC SHEET

ITEM# 11520

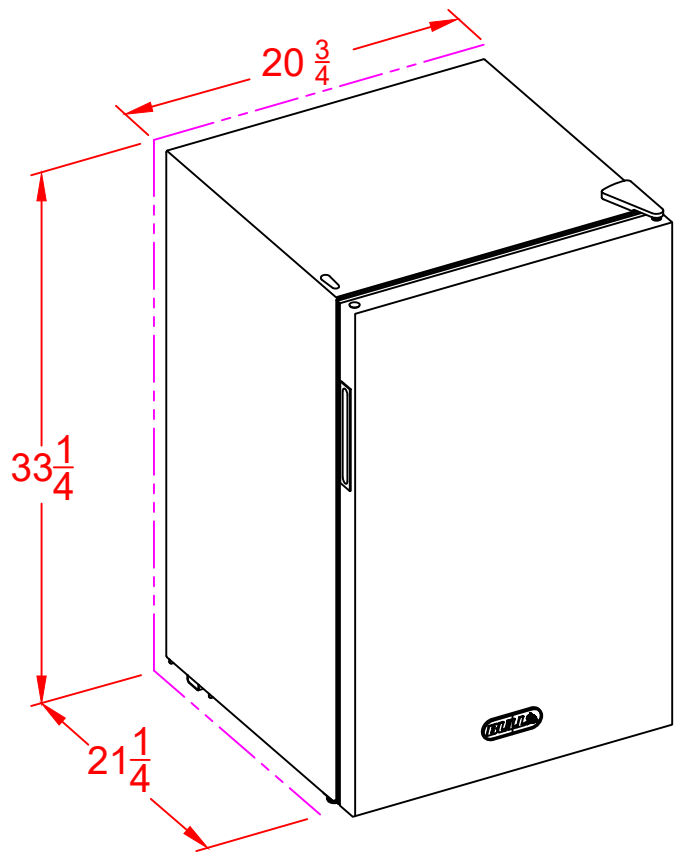
## SELECT CONTEMPORARY REFRIGERATOR



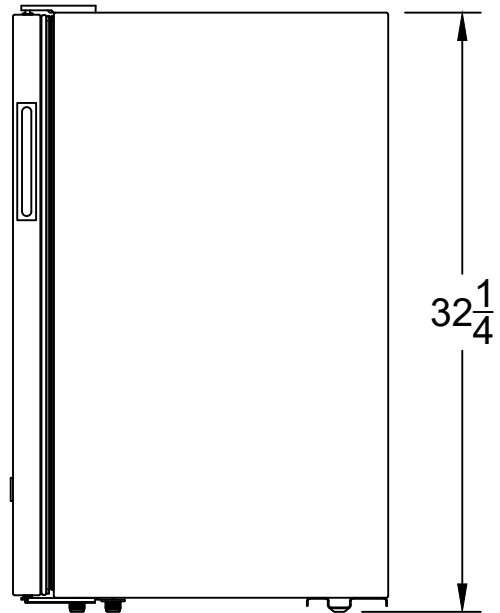
TOP VIEW



FRONT VIEW



PERSPECTIVE VIEW  
WITH INSTALLATION  
CUT OUT DIMENSIONS



SIDE VIEW

### NOTES:

- 1) ALL DIMENSIONS ARE IN INCH UNITS
- 2) REFER TO PERSPECTIVE VIEW FOR INSTALLATION CUTOUT DIMENSIONS.
- 3) SST FINISHING FRAME AVAILABLE THRU BULL, REFER TO ITEM 99940