



**NO GLUE,
NO JOINS,
NO LEAKS.**

INNO SKIM

STRONG - RELIABLE - WORRY FREE



**Unibody
Design**



**Oversized
Basket**



**Standard &
Extended**



**White Label
Option**



**Engineered
Durability**



**10 Year
Warranty**



**Integrated
Top-up**

**The strongest
and most reliable
skimmer available.**

Setting a new standard for pool builders who demand reliability, ease, and adaptability.

For pool builders focused on delivering unmatched quality, this solid, single-piece skimmer design stands as the ultimate solution, combining superior durability with effortless installation. Crafted to meet top-tier standards, it ensures long-lasting performance in every project.

Beyond basic maintenance, it offers seamless integration, engineered for those who value excellence and efficiency, making it the clear choice. High volume orders also have the unique ability to custom brand the InnoSkim through embossed logos on the weir door and lockable lid, giving each pool a signature touch - "Another pool by...".

The only skimmer to offer a true single-piece, unibody design: No glued parts to fail or leak.

InnoSkim's unibody construction eliminates weak points, ensuring it won't crack or fail-offering unmatched durability.

With flexible options, including standard and extended throat models plus an extension ring, InnoSkim adapts to any pool type - concrete, fiberglass, or vinyl - for a precise, perfect fit every time. Its oversized skimmer basket captures more debris, reducing maintenance frequency and keeping filtration running efficiently. Equipped with 2" suction and main drain ports for powerful debris removal and a soft-close weir door for smooth operation, InnoSkim is built for seamless, low-hassle performance. An industry first integrated pool top-up within the InnoSkim is also available as an additional extra.

Constructed from high-grade, field-tested, virgin polymers, InnoSkim resists the elements and outlasts the pool, making it a smart, durable choice. Provisions for overflow and auto-levelling simplify maintenance, keeping water levels consistent with minimal hands-on upkeep.

DISCOVER SMARTER

UNIBODY STRENGTH

Eliminates weak failure points to prevent leaks and cracking, offering unmatched durability.

EFFORTLESS INSTALLATION

Installs seamlessly with concrete, fiberglass, and vinyl pools, saving time on site.

PRECISION FIT OPTIONS

Standard and extended throat models, plus an optional extension ring for adaptable fit.

OVERSIZED BASKET

Captures more debris, reducing cleaning frequency and optimising filtration.

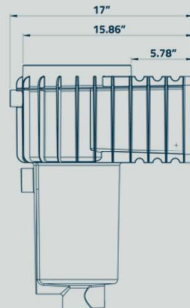
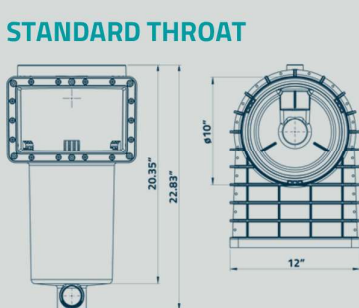
ENGINEERED DURABILITY

Built from field-tested, engineering-grade polymer, it resists elements and wear to last as long as the pool it serves.

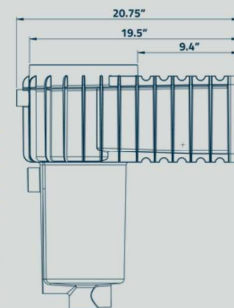
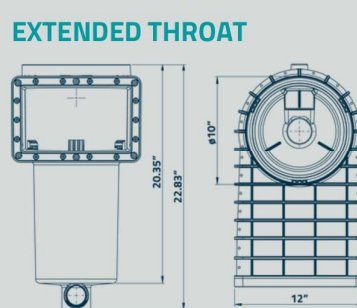
10-YEAR WARRANTY

Backed by a full decade of guaranteed reliability for builders and clients alike.

STANDARD THROAT



EXTENDED THROAT



InnoSkim combines strength, convenience, and exceptional performance to give builders a clear competitive edge in every install.

ANOTHER BUILD↑UFF SYSTEM