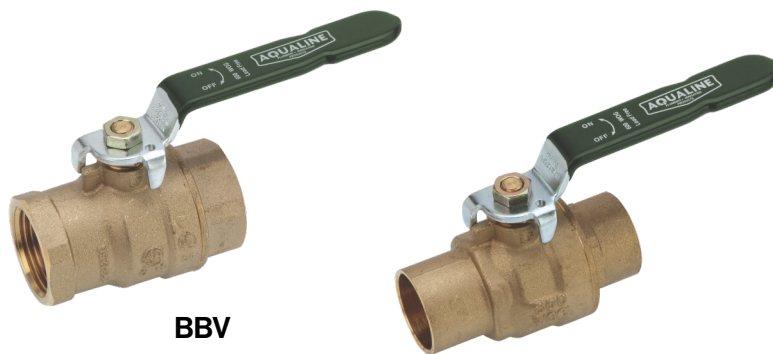




Spec Sheet: Lead Free Brass Ball Valve (BBV-LF)

Features

- Heavy duty brass construction
- UL & CSA Rated
- Available in sizes 1/2" - 2"
- Full Port
- Locking handle option available



BBV

BBV-S

Specifications

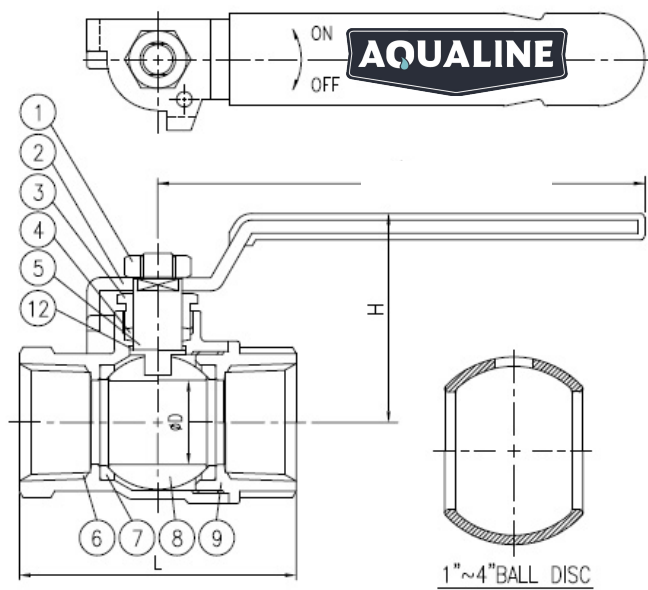
- Maximum service temperature: 150° F
- Working pressure: 600 WOG 1/2" - 2"

Models

- BBV-LF Brass ball valve, lead free
- BBV-S-LF Brass ball valve, solder, lead free
- BBV-LF-LH Brass ball valve, lead free, locking handle

Dimensions (mm)

Size	L	H	D	A
1/4"	43	32	9	60
1/2"	54	38	12.7	80
3/4"	63	47	19	110
1"	76	52	25	110
1-1/4"	85	60	32	130
1-1/2"	92	65	38	130
2"	108	79	50	200



Material Specification

No.	Parts	Materials
1	Nut	AISI-1010 JIS S10C
2	Handle	ASTM A283-D JIS SS400
3	Stem Gland Screw	ASTM B16-C36000 JIS H3250-C3604B
4	Stem Packing	Teflon PTFE
5	Stem	ASTM B16-C36000 JIS H3250-C3604B
6	Body	C46400
7	Ball Disc Packing	Teflon PTFE
8	Ball Disc	C46400
9	End Plug	C46400
12	Thrust Washer	Teflon PTFE

