

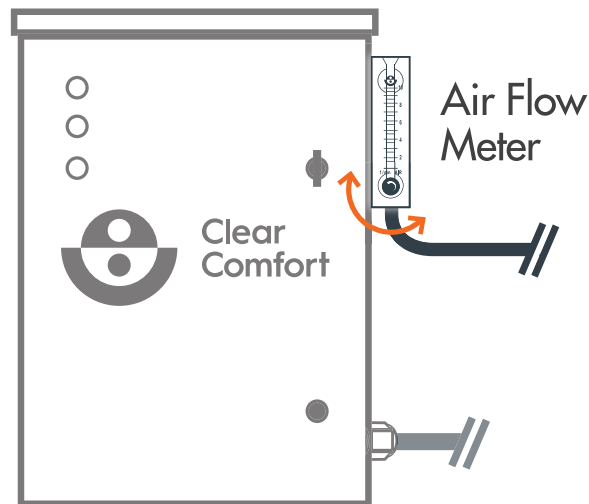
CLEAR COMFORT: Commercial Installation

Flow Requirements



The Clear Comfort AOP system must be installed as shown on the following diagrams and should meet the required Liters Per Minute (LPM) flow rates to supply gas in the following amounts:

SYSTEM	MINIMUM	MAXIMUM
CCW100 DUAL Small Commercial	10 LPM	12 LPM
CCW300A Entry Commercial	12 LPM	14 LPM
CCW300 Medium Commercial	23 LPM	28 LPM
CCW500 Large Commercial	40 LPM	55 LPM



HAVE QUESTIONS? CONTACT US TODAY:

☎ 303.872.4477 ✉ info@clearcomfort.com 🌐 clearcomfort.com

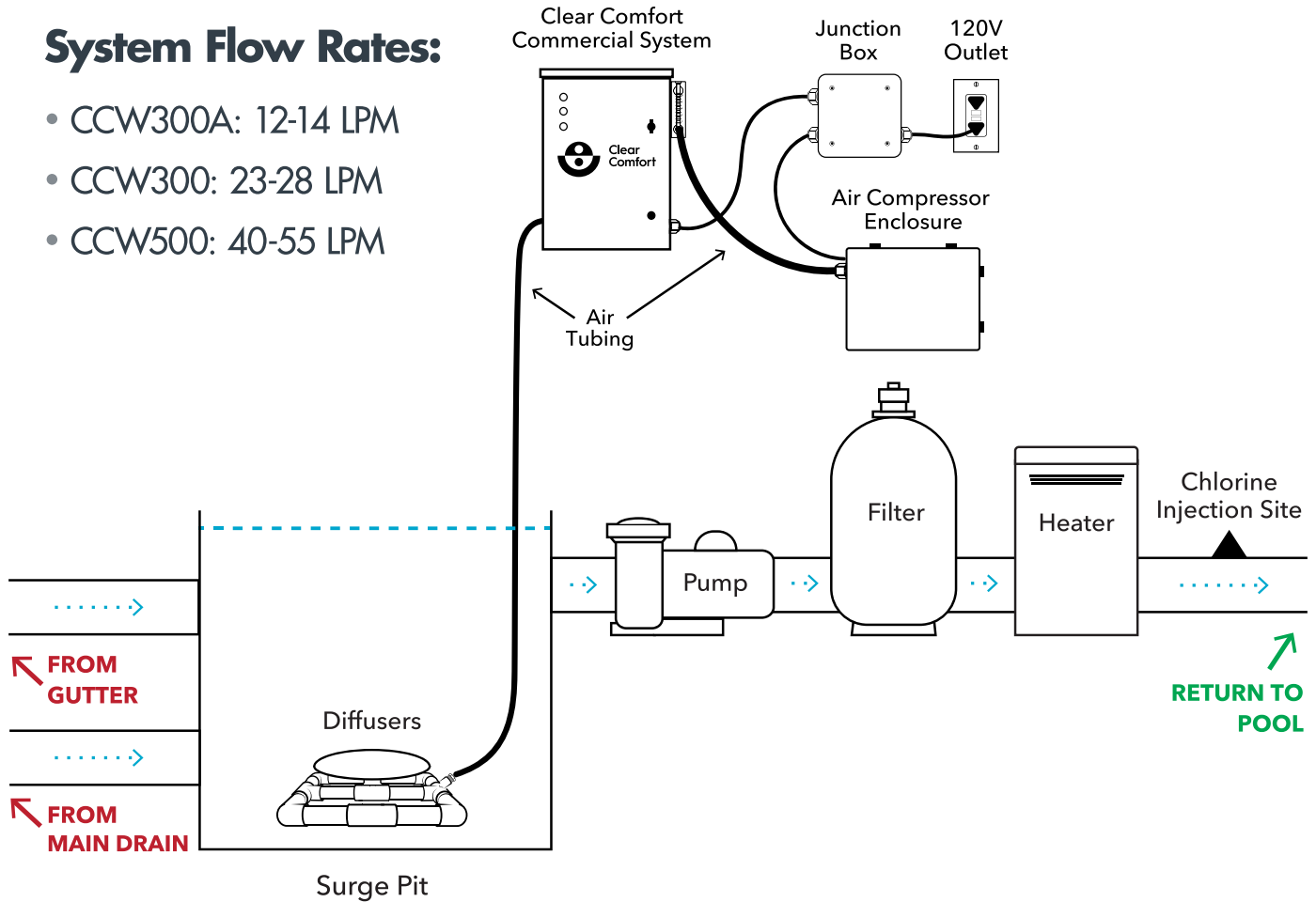
CLEAR COMFORT: Commercial Installation

Full System Diagram With Surge Pit Diffuser



System Flow Rates:

- CCW300A: 12-14 LPM
- CCW300: 23-28 LPM
- CCW500: 40-55 LPM



PLEASE NOTE:

- Not all Surge Pits are designed the same. For additional installation questions, please use the information below to contact Clear Comfort's customer success team.

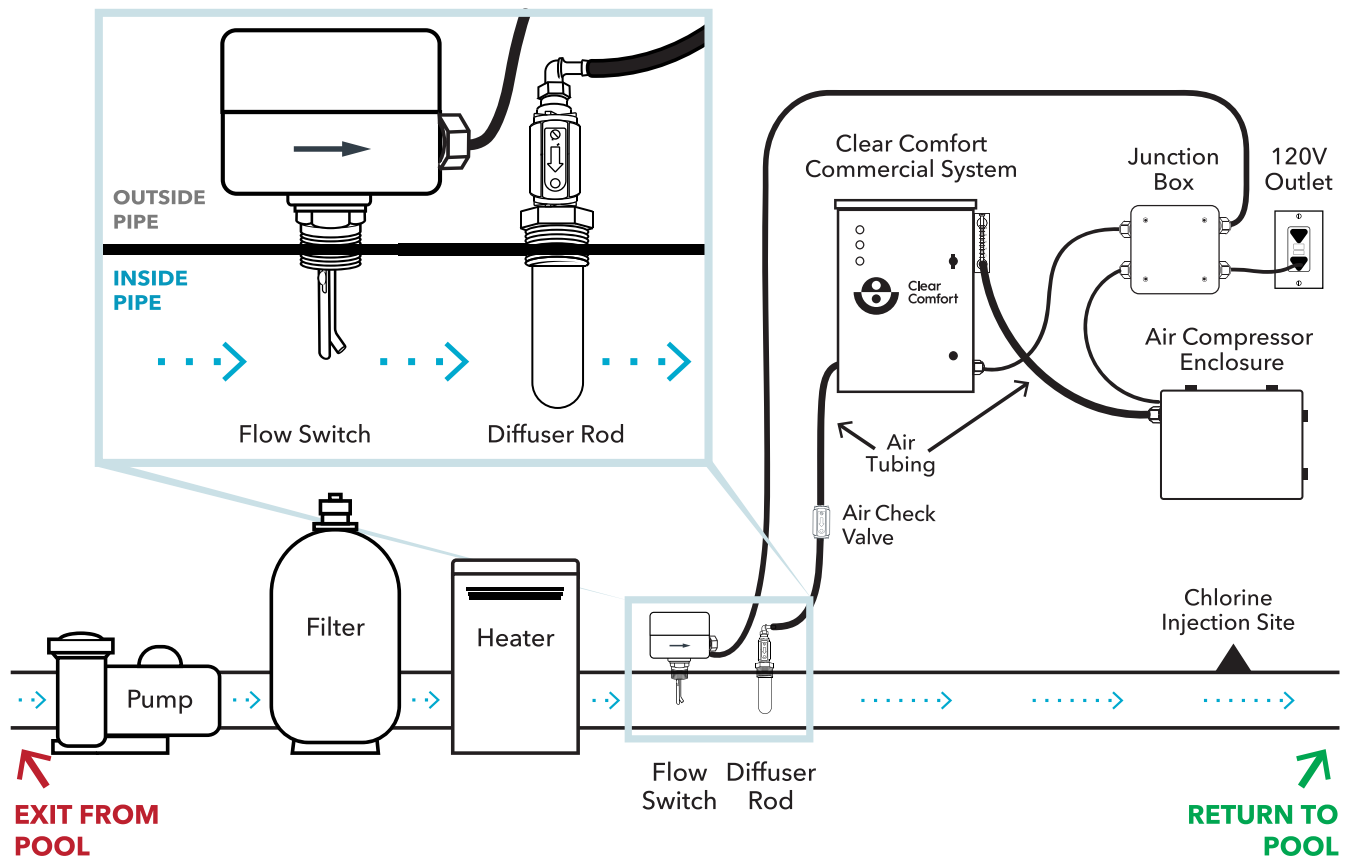
HAVE QUESTIONS? CONTACT US TODAY:

☎ 303.872.4477 ✉ info@clearcomfort.com 🌐 clearcomfort.com

CLEAR COMFORT: Commercial Installation



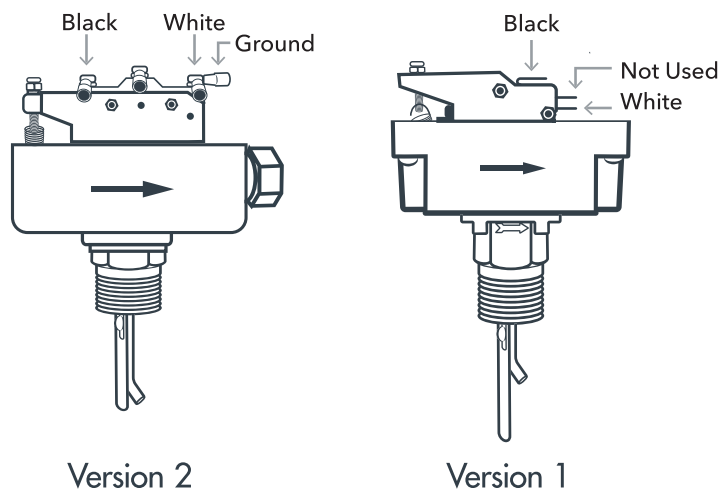
Inline Diffuser Kit Installation With Dwyer Flow Switch



System Flow Rates:

- CCW100 Dual: 10 - 12 LPM
- CCW300A: 12 - 14 LPM
- CCW300: 23 - 28 LPM
- CCW500: 40 - 55 LPM

Flow Switch Connections:



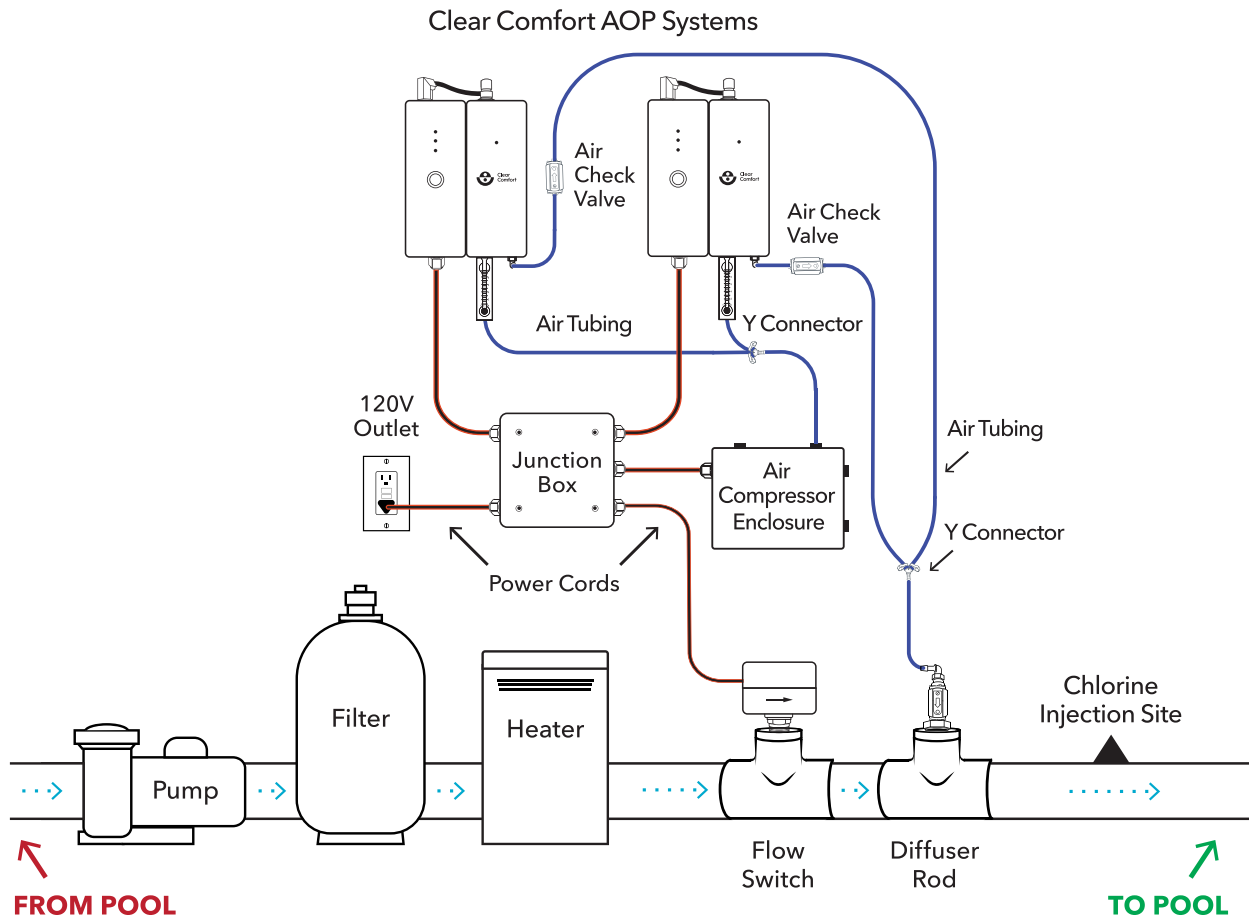
HAVE QUESTIONS? CONTACT US TODAY:

☎ 303.872.4477 ✉ info@clearcomfort.com 🌐 clearcomfort.com

CLEAR COMFORT: Dual-CCW100 Installation



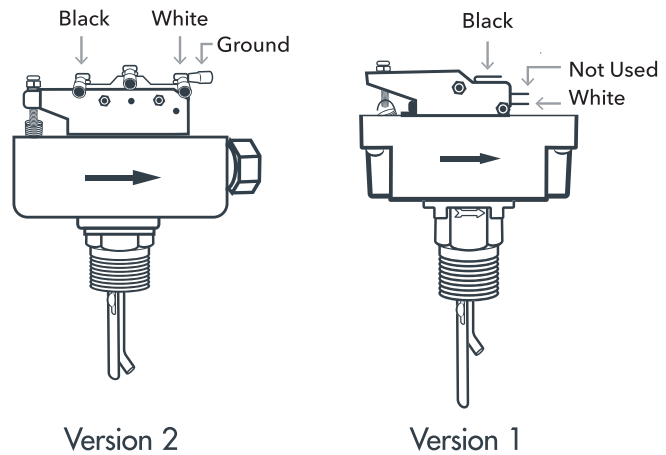
Dual CCW100 & Inline Diffuser Install Kit With Dwyer Flow Switch



System Flow Rate:

- CCW100 Dual: 10 - 12 LPM

Flow Switch Connections:



HAVE QUESTIONS? CONTACT US TODAY:

☎ 303.872.4477 ✉ info@clearcomfort.com 🌐 clearcomfort.com

CLEAR COMFORT: Commercial Installation

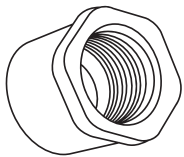
Full System Diagram With Venturi and Booster Pump



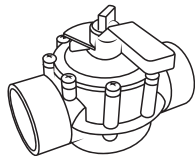
Clear Comfort commercial systems can be installed on a variety of pipe sizes and diameters.

We recommend a booster pump for the installation in the following configuration.

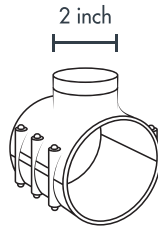
Required Installation Materials:



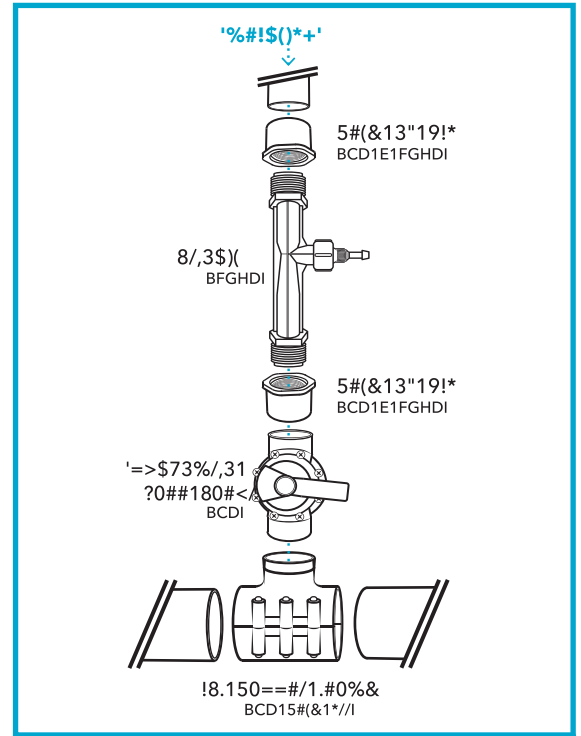
PVC Reducer Bushing
SLIP x FPT
2 inch x 1.5 inch



Isolation & Adjustment
Ball Valve
2 inch



PVC Saddle
Clamp
2 inch Slip Tee



Full System Diagram With Venturi and Booster Pump:

