

# FLOWSTAR® SKIMMER WITH 7 DEGREE ANGLE, FLOAT ASSEMBLY, BASKET, LID, ADJUSTABLE COLLAR FOR FIBERGLASS

Built in conformance with NSF 50 and SPS 3 standards

## FEATURES

Designed for commercial and residential use, 15 GPM min, 90 GPM max  
 For fiberglass installations  
 Includes stainless steel hardware for all applications  
 Adjustable collar  
 Weir clip lock secures the clips in the weir door  
 Large self-contained basket with lock-in feature (will not float)  
 Pre-installed O-ring for float assembly  
 Underwater dampers on the faceplate for noise reduction on weir plate – especially on windy days  
 Super strong engineered polymer upper housing  
 Extra heavy-duty PVC lower unit (does not require transitional glue)  
 2½" outside slip; 2" inside slip (outside skimmer)  
 2" threads for pressure testing (inside skimmer)  
 Built-in overflow or fill line knock-out  
 Upper housing has pre-cut rebar cutouts with pre-drilled holes for tie wire  
 Additional box inside skimmer box for a basket, float assembly and weir plate (so assembly does not get lost on job site)  
 Skimmer Lid and Collar G154 UV tested  
 Optional custom name/logo engraved on the lid (requires minimum 500 piece lid order)  
 1 per case

**NEW**

Two additional lid options available (sold separately):  
 square or snap-in round/square



Optional vacuum plate with snap-in lug can be glued in under lid for easy storage p/n SK43101

Part # SKR35xxx

## STANDARD COLORS

- SKR35101 – White
- SKR35103 – Light Gray
- SKR35105 – Dark Gray

Snap-in Round/Square Lid and Collar (sold separately) p/n SK65xxx, 8 per case

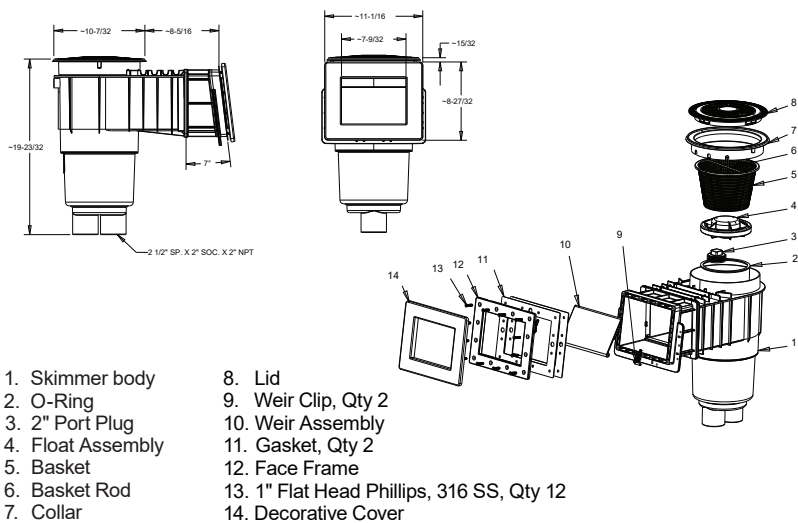
Without lid/collar – white only  
 p/n SKR35NL01 (vinyl with float assembly)  
 1 per case

Also available with square lid and collar  
 p/n SKR3564xxx, 1 per case

Also available bonded with square lid and collar  
 p/n SKR3564xxxB, 1 per case  
 (second color code for lid color)  
 See page 2 for bonded option

NOTICE: For NSF certified skimmers, please contact your AquaStar Sales Representative. Lid, float valve, 4" socket, and 6" socket options are not NSF certified.

**SPS 3 & NSF 50 Compliant**



- |                   |   |
|-------------------|---|
| 1. Skimmer body   | 8. Lid                                    |
| 2. O-Ring         | 9. Weir Clip, Qty 2                       |
| 3. 2" Port Plug   | 10. Weir Assembly                         |
| 4. Float Assembly | 11. Gasket, Qty 2                         |
| 5. Basket         | 12. Face Frame                            |
| 6. Basket Rod     | 13. 1" Flat Head Phillips, 316 SS, Qty 12 |
| 7. Collar         | 14. Decorative Cover                      |

P 877-768-2717 F 877-276-POOL Outside the US: P +1-949-336-1940 F +1-949-336-1940  
 info@aquastarpoolproducts.com www.aquastarpoolproducts.com

## ADDITIONAL PRODUCT CONFIGURATIONS FOR SKR35XXX

### 9" Ultra Basket

Designed for commercial and residential use, 15 GPM min, 90 GPM max

Available 2" Socket Dual-Port, 4" Socket, 6" Socket, and Water Bonded

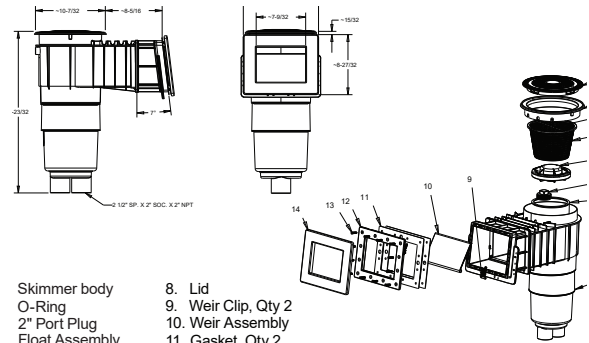
Example: SKR35101D-L= White Flow Star® Skimmer with 4" Socket Sump and 9" Ultra Basket

1 per case  
STANDARD COLORS

- SKR35101-L – White
- SKR35103-L – Light Gray
- SKR35105-L – Dark Gray



Part #  
SKR35xxx-L



- 8. Lid
- 9. Weir Clip, Qty 2
- 10. Weir Assembly
- 11. Gasket, Qty 2
- 12. Face Frame
- 13. 1" Flat Head Phillips, 316 SS, Qty 12
- 14. Decorative Cover

### Water Bonded

Designed for commercial and residential use, 15 GPM min, 90 GPM max

Bonding plate and copper wire connection meet NEC section 680.2 C.

Conforms to UL 1081, UL 1563, CAN/CSA-C22.2

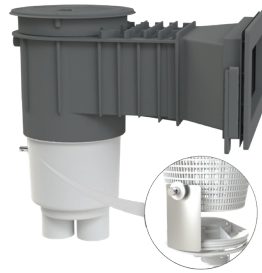
Bonding plate is safely placed behind the skimmer basket, for constant water contact, even when the pump is off

1 per case

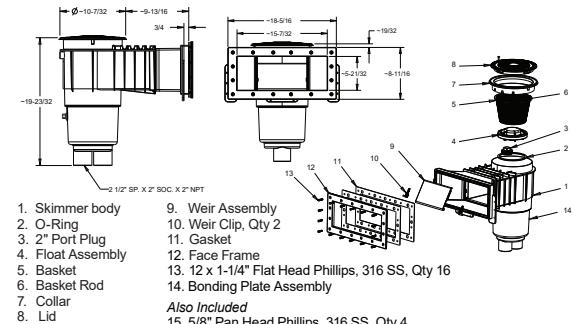
Also available with square lid and collar p/n SKR3564xxxB (second color code for lid color)

STANDARD COLORS

- 101
- 103
- 105



Standard Part # SKR35xxxB  
9" Ultra Basket Part # SKR35xxxB-L



- 1. Skimmer body
  - 2. O-Ring
  - 3. 2" Port Plug
  - 4. Float Assembly
  - 5. Basket
  - 6. Basket Rod
  - 7. Collar
  - 8. Lid
  - 9. Weir Assembly
  - 10. Weir Clip, Qty 2
  - 11. Gasket
  - 12. Face Frame
  - 13. 12 x 1-1/4" Flat Head Phillips, 316 SS, Qty 16
  - 14. Bonding Plate Assembly
- Also Included**
- 15. 5/8" Pan Head Phillips, 316 SS, Qty 4
  - 16. 1-1/2" Flat Head Phillips, 316 SS, Qty 4
  - 17. Decorative Cover
  - 18. Easy Clip Spacer, Qty 3

## ADDITIONAL PORT CONFIGURATIONS FOR SKR35XXX AND SKR35XXX-L

### 4" Socket Sump

Extra heavy duty PVC lower unit (no transitional glue required)

Standard  
Part # SKR35xxxD

9" Ultra Basket  
Part # SKR35xxxD-L



1 per case

### 6" Socket Sump

Extra heavy duty PVC lower unit (no transitional glue required)

Standard  
Part # SKR35xxxF

9" Ultra Basket  
Part # SKR35xxxF-L



1 per case

# FIBERGLASS BUILDER'S KITS - STANDARD SKIMMER WITH THREE-PIECE DECORATIVE FITTINGS



Convenient kits for fiberglass pools and spas



## ITEM DESCRIPTIONS

### 6HPHAxxx

6" Round Hockey Puck Sumpless Suction Outlet Cover, Hydroair/ITT Replacement  
 VGBA certified dual drain system, visit [www.aquastarpoolproducts.com/flowcode](http://www.aquastarpoolproducts.com/flowcode) for specifications

### 6HA25T20Sxxx

6" Bulkhead Adapter with 2½" Thread and 2" Socket for Fiberglass/Steel, with Gasket and 2½" Locking Nut

### SKR36xxx64xxx

Flow Star standard skimmer, flow assembly, basket, square lid, and adjustable collar

Designed for commercial and residential use, 15 GPM min, 90 GPM max

### SKR36xxx64xxxB

Flow Star standard bonded skimmer, flow assembly, basket, square lid, and adjustable collar

Designed for commercial and residential use, 15 GPM min, 90 GPM max

### SKR3564xxxB

Flow Star standard bonded 7 degree skimmer, flow assembly, basket, square lid and adjustable collar

Designed for commercial and residential use, 15 GPM min, 90 GPM max

### SECxxx

3" skimmer extension collar

### 1020TSxxx

Large Extended 2" Return Fitting with Locking Nut and Optional Angle Wall Adapter (Set of Two) for Fiberglass

#### STANDARD COLORS

- 01 - White
- 03 - Light Gray
- 05 - Dark Gray



**NEW**

## VGBA Fiberglass Dual Drain System



### Standard Skimmer Kit

- 6HPHAxxx – qty 2
- 6HA25T20Sxxx – qty 2
- SKR36xxx64xxx – qty 1
- SECxxx – qty 1
- 1020TSxxx – qty 3

Part # FBKxx  
 1 per case

### Bonded Standard Skimmer Kit

- 6HPHAxxx – qty 2
- 6HA25T20Sxxx – qty 2
- SKR36xxx64xxxB – qty 1
- SECxxx – qty 1
- 1020TSxxx – qty 3

Part # FBKBxx  
 1 per case



**NEW**

## VGBA Fiberglass Dual Drain System



### Bonded 7 Degree Standard Skimmer Kit

- 6HPHAxxx – qty 2
- 6HA25T20Sxxx – qty 2
- SKR3564xxxB – qty 1
- SECxxx – qty 1
- 1020TSxxx – qty 3

Part # FBK7Bxx  
 1 per case

7 Degree Standard

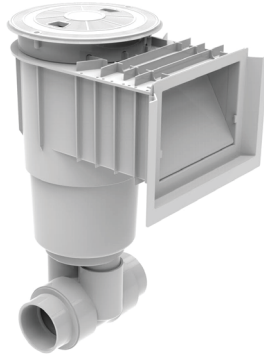
## SKIMMER ACCESSORIES

STANDARD COLORS  101  102  103  105  108

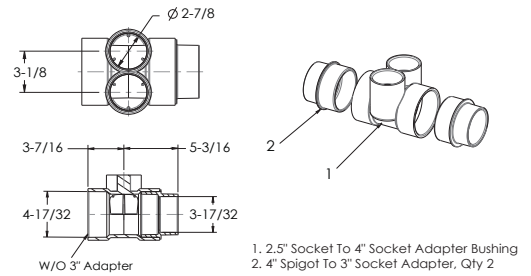
### Adaptor Bushing

#### FEATURES

Eliminates the need to reduce down 4" or 3" plumbing when connecting to a skimmer with a dual-port PVC sump  
 Converts two 2½" spigot to 4" or 3" T  
 Includes two 4" x 3" reducer bushings  
 Shown as an example only – parts are sold separately  
 1 per case



Part # SKR1xx with BFB101



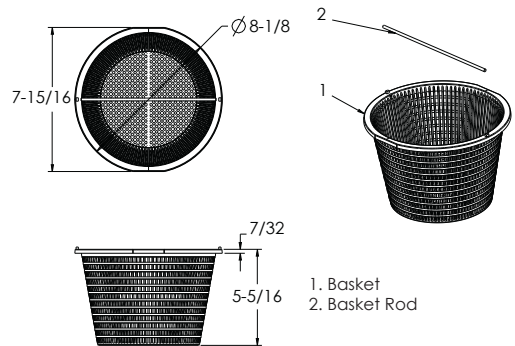
### Skimmer Basket

#### FEATURES

Polypropylene basket locks in to remain in place during on and off pump cycles  
 Fits all standard skimmers  
 50 per case



Part # SK6



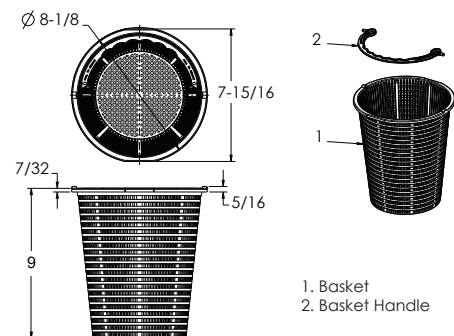
### 9" Ultra Skimmer Basket

#### FEATURES

9" polypropylene Ultra Basket locks in to remain in place during on and off pump cycles  
 Fits all 9" Ultra Basket models  
 50 per case



Part # SK96



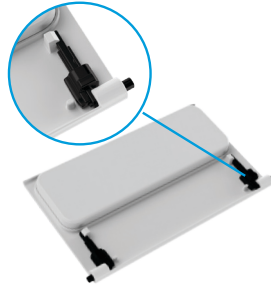
## SKIMMER ACCESSORIES

STANDARD COLORS  101  102  103  105  108

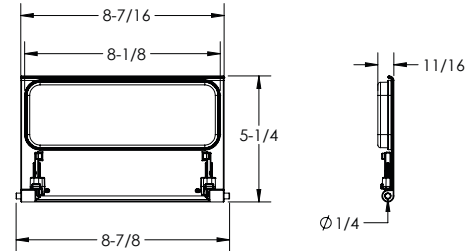
### Weir Plate Assembly for Standard & Vinyl/Fiberglass Skimmers

#### FEATURES

Includes weir clip locks to secure weir clips in place  
Also available only weir clips, part # SK902  
24 per case



Part # SKWDxxx



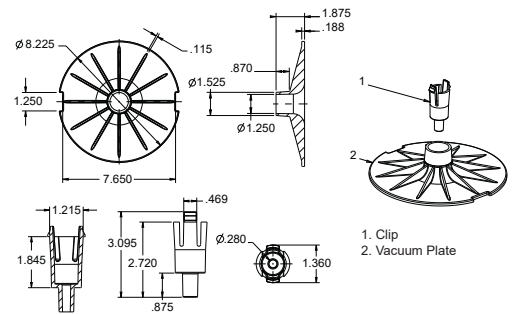
### Vacuum Plate

#### FEATURES

Snaps under skimmer lid for easy storage  
White only  
25 per case



Part # SK43101



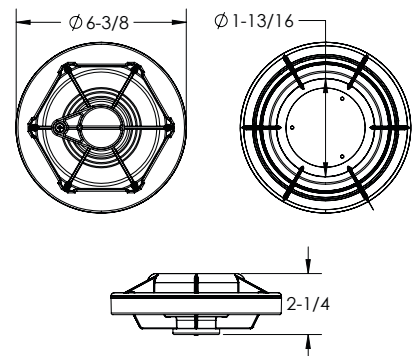
### Float Assembly

#### FEATURES

Includes O-ring gasket and flow adjustment flap  
White only  
24 per case



Part # SKFL101



# SKIMMER ACCESSORIES

STANDARD COLORS  101  102  103  105  108

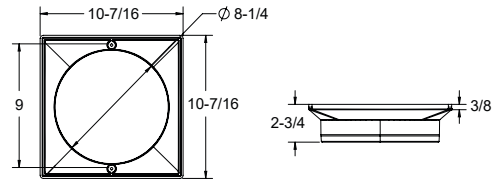
## Square Skimmer Collar

### FEATURES

Adjustable collar levels out uneven surfaces  
Fits AquaStar and most standard skimmers=  
6 per case



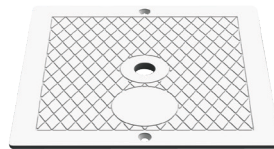
Part # SK61xxx



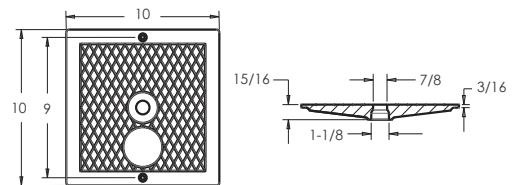
## Square Skimmer Lid

### FEATURES

UV tested to latest standard  
Optional custom name/logo insert p/n SK63xxxA (minimum 500-piece order)  
Fits AquaStar and most standard square skimmer collars  
24 per case



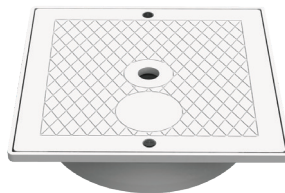
Part # SK63xxx



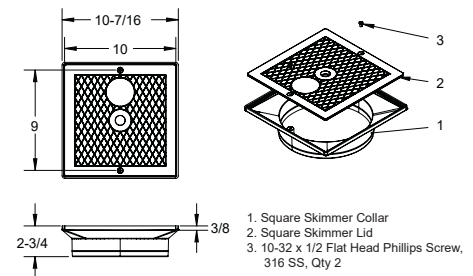
## Square Skimmer Lid and Collar

### FEATURES

UV tested to latest standard features  
Optional custom name/logo insert p/n SK64xxxA (minimum 500 piece order)  
Fits AquaStar and most standard skimmers  
6 per case



Part # SK64xxx



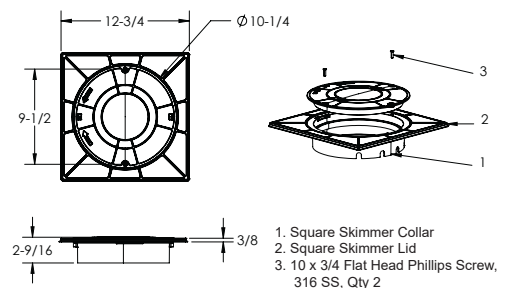
## Round/Square Snap-in Lid and Collar

### FEATURES

Round lid snaps into square housing  
UV tested to latest standard  
Optional custom name/logo insert p/n SK65xxxA (minimum 500-piece order)  
Fits AquaStar and most standard skimmers  
8 per case



Part # SK65xxx



# SKIMMER ACCESSORIES

STANDARD COLORS  101  102  103  105  108

## Round Skimmer Lid

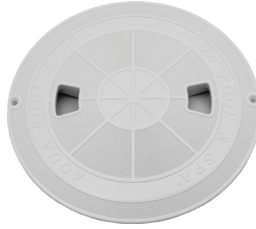
### FEATURES

UV tested to latest standard

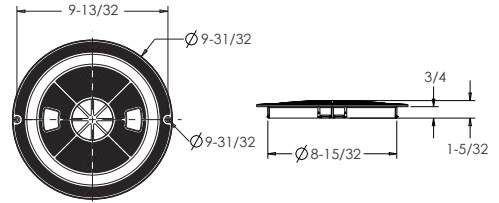
Optional custom name/  
logo insert p/n RTxxxA  
(min 500 piece order)

Fits AquaStar and most standard round  
skimmer collars

25 per case



Part # RTxxx



## Adjustable Round Skimmer Collar

### FEATURES

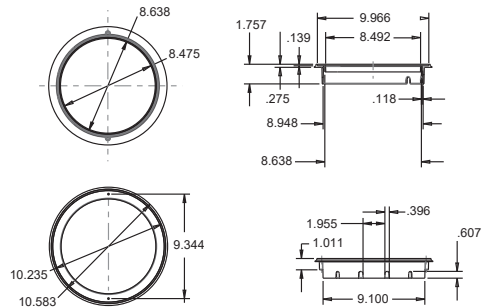
Adjustable collar levels  
out uneven surfaces

Fits AquaStar and most standard  
skimmers

20 per case



Part # SK5xxx



## Round Skimmer Lid and Collar

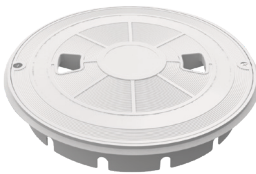
### FEATURES

UV tested to latest standard

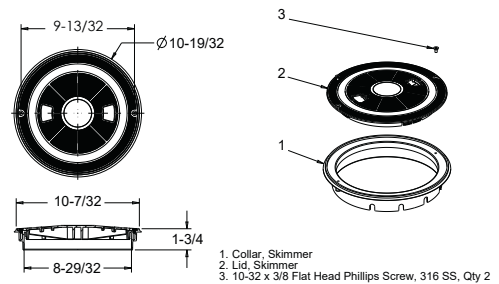
Optional custom name/logo insert p/n  
SKRTxxxA (min 500 piece order)

Fits AquaStar and most standard  
skimmers

25 per case



Part # SKRTxxx



## 3" Skimmer Extension Collar

### FEATURES

Stack multiple collars to reach desired  
deck or bond beam height

Fits into AquaStar and most standard  
round skimmer collars

20 per case



Part # SECxxx

