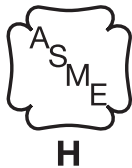


INSTALLATION & OPERATION MANUAL



Models 3005 - 4005 Type H, WH and P



NOTICE

SCAN WITH QR EQUIPPED SMART
DEVICE FOR ONLINE MANUAL.



WARNING: Improper installation, adjustment, alteration, service or maintenance can cause property damage, personal injury, exposure to hazardous materials* or loss of life. Review the information in this manual carefully. *This unit contains materials that have been identified as carcinogenic, or possibly carcinogenic, to humans.

FOR YOUR SAFETY: Do not store or use gasoline or other flammable vapors and liquids or other combustible materials in the vicinity of this or any other appliance. To do so may result in an explosion or fire.

WHAT TO DO IF YOU SMELL GAS:

- Do not try to light any appliance.
- Do not touch any electrical switch; do not use any phone in your building.
- Immediately call your gas supplier from a neighbor's phone. Follow the gas supplier's instructions.
- If you cannot reach your gas supplier, call the fire department.

Installation and service must be performed by a qualified installer, service agency or the gas supplier.

This manual should be maintained in legible condition and kept adjacent to the heater or in a safe place for future reference.

Revision 17 reflects the following change:

Battery ingestion warning and illustration from UL 4200A - Standard for Safety, added to the "Warnings" section. 18-J "Lithium battery" (P/N 015888F) removed from IPL.

TABLE OF CONTENTS

<p>1. WARNINGS 4</p> <p style="padding-left: 20px;">Pay Attention to These Terms. 4</p> <p>2. GENERAL SAFETY..... 6</p> <p style="padding-left: 20px;">Time/Temperature Relationships in Scalds 6</p> <p>3. BEFORE INSTALLATION..... 7</p> <p style="padding-left: 20px;">Product Receipt..... 7</p> <p style="padding-left: 20px;">Model Identification 7</p> <p style="padding-left: 20px;">Ratings and Certifications 7</p> <p style="padding-left: 20px;">Installations at Elevation 7</p> <p style="padding-left: 20px;">Component Locations 8</p> <p style="padding-left: 20px;">Water Quality 9</p> <p>4. INSTALLATION..... 9</p> <p style="padding-left: 20px;">Installation Codes..... 9</p> <p style="padding-left: 20px;">Equipment Base..... 10</p> <p style="padding-left: 20px;">Clearances 10</p> <p style="padding-left: 20px;">Combustion and Ventilation Air 11</p> <p style="padding-left: 20px;">Conventional Combustion Air Supply 14</p> <p style="padding-left: 20px;">Water Piping..... 15</p> <p style="padding-left: 20px;">System Sensor Installation..... 15</p> <p style="padding-left: 20px;">Raypak Integral Cold Water Protection 17</p> <p style="padding-left: 20px;">Hydronic Heating..... 17</p> <p style="padding-left: 20px;">Applications and Modes 19</p> <p style="padding-left: 20px;">Domestic Hot Water 21</p> <p style="padding-left: 20px;">Pool Heating..... 22</p> <p style="padding-left: 20px;">Gas Supply..... 23</p> <p style="padding-left: 20px;">Electrical Power Connections 24</p> <p style="padding-left: 20px;">Field Wiring Connection 25</p> <p style="padding-left: 20px;">Venting - General 28</p> <p style="padding-left: 20px;">Venting Installation Tips 31</p> <p style="padding-left: 20px;">Venting Configurations 31</p> <p style="padding-left: 20px;">Condensate Management..... 35</p> <p style="padding-left: 20px;">Outdoor Installation 36</p>	<p>5. CONTROLS 37</p> <p style="padding-left: 20px;">Ignition Control Functions 37</p> <p style="padding-left: 20px;">User Interface..... 39</p> <p style="padding-left: 20px;">Adjusting the XTherm Setpoint 39</p> <p>6. WIRING DIAGRAM..... 46</p> <p>7. START-UP..... 47</p> <p style="padding-left: 20px;">Pre Start-up..... 47</p> <p style="padding-left: 20px;">Pre Start-up Check..... 47</p> <p style="padding-left: 20px;">Initial Start-up 47</p> <p style="padding-left: 20px;">Start-Up..... 48</p> <p style="padding-left: 20px;">Post Start-Up Check 50</p> <p>8. OPERATION..... 51</p> <p style="padding-left: 20px;">Lighting Instructions 51</p> <p style="padding-left: 20px;">To Turn Off Gas To Appliance 51</p> <p>9. TROUBLESHOOTING 52</p> <p style="padding-left: 20px;">XTherm Error Codes 52</p> <p style="padding-left: 20px;">Heater Errors..... 52</p> <p style="padding-left: 20px;">Heater Faults..... 52</p> <p style="padding-left: 20px;">XTherm Fault Text..... 52</p> <p>10. MAINTENANCE 54</p> <p style="padding-left: 20px;">Suggested Minimum Maintenance Schedule 54</p> <p style="padding-left: 20px;">Preventive Maintenance Schedule..... 55</p> <p>11. ILLUSTRATED PARTS LIST..... 56</p> <p>12. IMPORTANT INSTRUCTIONS FOR THE COMMONWEALTH OF MASSACHUSETTS 63</p> <p>13. START-UP CHECKLIST 64</p> <p>14. WARRANTY 65</p> <p>15. QR CODES 67</p>
---	---

THIS INSTALLATION MANUAL MAY NOT BE THE LATEST REVISION PRINTED AT THE TIME OF PRODUCT SHIPMENT. VISIT THE RAYPAK WEBSITE TO VERIFY THE MANUAL DELIVERED WITH YOUR RAYPAK UNIT IS THE MOST UP-TO-DATE VERSION OR USE THE QR CODE AVAILABLE WITHIN THIS MANUAL ON PAGE 67.

1. WARNINGS

Pay Attention to These Terms.

▲ DANGER	Indicates the presence of immediate hazards which will cause severe personal injury, death or substantial property damage if ignored.
▲ WARNING	Indicates the presence of hazards or unsafe practices which could cause severe personal injury, death or substantial property damage if ignored.
▲ CAUTION	Indicates the presence of hazards or unsafe practices which could cause minor personal injury or product or property damage if ignored.
CAUTION	CAUTION used without the warning alert symbol indicates a potentially hazardous condition which could cause minor personal injury or product or property damage if ignored.
NOTE	Indicates special instructions on installation, operation, or maintenance which are important but not related to personal injury hazards.

▲ DANGER: Make sure the gas on which the heater will operate is the same type as that specified on the heater rating plate.

▲ WARNING: Heaters using propane gas are different from natural gas models. A natural gas heater will not function safely on propane and vice versa. Conversions of heater gas type should only be made by qualified installers using factory supplied components. The heater should only use the fuel type in accordance with listing on rating plate. Any other fuel usage will result in death or serious personal injury from fire and/or explosion.

▲ WARNING: Should overheating occur or the gas supply valve fail to shut, do not turn off or disconnect the electrical supply to the heater. Instead, shut off the gas supply at a location external to the heater.

▲ WARNING: Do not use this heater if any part has been under water. Immediately call a qualified service technician to inspect the heater and to replace any part of the control system and any gas control which has been under water.

▲ WARNING: To minimize the possibility of improper operation, serious personal injury, fire, or damage to the heater:

- Always keep the area around the heater free of combustible materials, gasoline, and other flammable liquids and vapors.
- Heater should never be covered or have any blockage to the flow of fresh air to the heater.

▲ CAUTION: This heater requires forced water circulation when the burner is operating. See Table H and Table I for flow rate information. Severe damage will occur if the heater is operated without proper water flow circulation.

▲ WARNING: Risk of electrical shock. More than one disconnect switch may be required to de-energize the equipment before servicing.

▲ WARNING: Both natural gas and propane have an odorant added to aid in detecting a gas leak. Some people may not physically be able to smell or recognize this odorant. If you are unsure or unfamiliar with the smell of natural gas or propane, ask your local gas supplier. Other conditions, such as “odorant fade,” which causes the odorant to diminish in intensity, can also hide, camouflage, or otherwise make detecting a gas leak by smell more difficult.

▲ WARNING: : For appliances that allow indoor installation within a residential living space or home, the installer must verify that at least one carbon monoxide alarm has been installed within a residential living space or home following the alarm manufacturer’s instructions and applicable local codes before putting the appliance into operation.

▲ WARNING: For appliances that allow indoor installation within a residential living space or home, note that this product burns gas to produce heat. The appliance must be properly installed, operated, and maintained to avoid exposure to appreciable levels of carbon monoxide and the installer is required to confirm that at least one carbon monoxide alarm is installed in the living space before the appliance is put into operation. It is important for the carbon monoxide alarms to be installed, maintained, and replaced following the alarm manufacturer’s instructions and applicable local codes.

▲ WARNING: UL-recognized fuel gas detectors are recommended in all enclosed propane and natural gas applications wherein there is a potential for an explosive mixture of fuel gas to accumulate and their installation should be in accordance with the detector manufacturer’s recommendations and/or local laws, rules, regulations, or customs.

▲ CAUTION: If this heater is to be installed above radiation level, it must be provided with a low water cut-off device at the time of heater installation.

CAUTION: If this heater is to be installed in a negative or positive pressure equipment room, there are special installation requirements. Consult factory for details.

⚠ WARNING: According to the Standard of Safety UL 4200A, which applies to consumer products containing button batteries or coin cell batteries, it is important to adhere to the following safety statements:

- Remove and immediately recycle or dispose of used batteries according to local regulations and keep away from children. Do NOT dispose of batteries in household trash or incinerate.
- Even used batteries may cause severe injury or death.
- Call a local poison control center for treatment information.
- Compatible battery type: CR1225.
- Nominal battery voltage: 3V.
- Non-rechargeable batteries are not to be recharged.
- Do not force discharge, recharge, disassemble, heat above (manufacturer's specified temperature rating) or incinerate. Doing so may result in injury due to venting, leakage or explosion resulting in chemical burns.
- Ensure the batteries are installed correctly according to polarity (+ and -).
- Do not mix old and new batteries, different brands or types of batteries, such as alkaline, carbon-zinc, or rechargeable batteries.
- Remove and immediately recycle or dispose of batteries from equipment not used for an extended period of time according to local regulations.
- Always completely secure the battery compartment. If the battery compartment does not close securely, stop using the product, remove the batteries, and keep them away from children.

⚠ WARNING

- **INGESTION HAZARD:** This product contains a button cell or coin battery.
- **DEATH** or serious injury can occur if ingested.
- A swallowed button cell or coin battery can cause **Internal Chemical Burns** in as little as **2 hours**.
- **KEEP** new and used batteries **OUT OF REACH** of **CHILDREN**
- **Seek immediate medical attention** if a battery is suspected to be swallowed or inserted inside any part of the body.



su4904

2. GENERAL SAFETY

NOTE: When this water heater is supplying general purpose hot water for use by individuals, a thermostatically-controlled mixing valve for reducing point of use water temperature is recommended to reduce the risk of scald injury. Contact a licensed plumber or the local plumbing authority for further information.

⚠ CAUTION: Hotter water increases the risk of scalding! There is a hot water scald potential if the thermostat is set too high.

To meet commercial hot water use needs, the high limit safety control on this water heater will shut off the main gas valve before the outlet temperature reaches 210°F (99°C). However, water temperatures over 125°F (52°C) can cause instant severe burns or death from scalds. When supplying general-purpose hot water, the recommended initial setting for the temperature control is 125°F (52°C).

This section applies to Hot Water Supply Boilers and Hot Water Heaters ONLY. For sanitary rinse applications where outlet temperatures of 180°F to 195°F (82°C to 91°C) are required, a boiler is recommended since the 210°F (99°C) limit on water heaters will NOT allow the heater to maintain these desired sanitary rinse temperatures.

Safety and energy conservation are factors to be considered when setting the water temperature on the thermostat. The most energy-efficient operation will result when the temperature setting is the lowest that satisfies the needs of the application.

Water temperature over 125°F (52°C) can cause instant severe burns or death from scalds. Children, disabled and elderly are at highest risk of being scalded.

- Feel water before bathing or showering.
- Temperature limiting valves are available.

Maximum water temperatures occur just after the heater's burner has shut off. To determine the water temperature being delivered, turn on a hot water faucet and place a thermometer in the hot water stream and read the thermometer.

Time/Temperature Relationships in Scalds

For the relationship of water temperature and time with regard to scald injury and may be used as a guide in determining the safest water temperature for your applications, see **Table A**.

The temperature of the water in the storage tank can be regulated by using the VERSA IC® Control. To comply with safety regulations, the control is set at 125°F (52°C) when shipped from the factory.

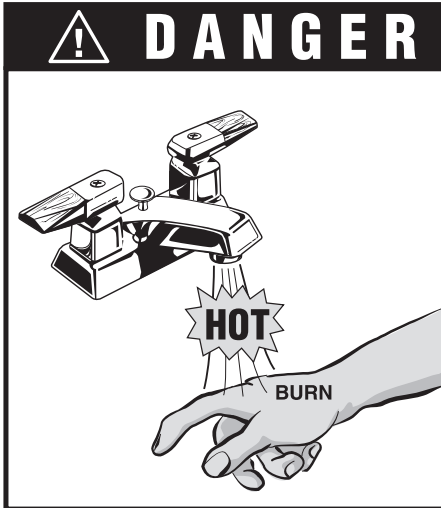
To adjust the water temperature, follow the instruction for the operation of the controls starting on page 37 of this manual.

Water Temp.	Time to Produce Serious Burns
120°F (49°C)	More than 5 minutes
125°F (52°C)	1-1/2 to 2 minutes
130°F (54°C)	About 30 seconds
135°F (57°C)	About 10 seconds
140°F (60°C)	Less than 5 seconds
145°F (63°C)	Less than 3 seconds
150°F (66°C)	About 1-1/2 seconds
155°F (68°C)	About 1 second

Table courtesy of The Shriners Burn Institute

Table A. Time to Produce Serious Burn

⚠ **DANGER**



Water temperature over 125°F can cause instant severe burns or death from scalds.

Children, disabled, and elderly are at highest risk of being scalded.

See instruction manual before setting temperature at water heater.

Feel water before bathing or showering.

Temperature limiting valves are available, see manual.

3. BEFORE INSTALLATION

Raypak strongly recommends that this manual be reviewed thoroughly before installing your XTherm heater. Please review the General Safety information before installing the heater. Factory warranty does not apply to heaters that have been improperly installed or operated. (Refer to the warranty at the back of this manual.) Installation and service must be performed by a qualified installer, service agency or gas supplier. If, after reviewing this manual, you still have questions which this manual does not answer, please contact your local Raypak representative or visit our website at www.raypak.com.

Thank you for purchasing a Raypak product. We hope you will be satisfied with the high quality and durability of our equipment.

Product Receipt

On receipt of your heater it is suggested that you visually check for external damage to the shipping crate. If the crate is damaged, make a note to that effect on the Bill of Lading when signing for the shipment. Next, remove the heater from the shipping packaging. Report any damage to the carrier immediately. The injector pump ships loose and separate for installation on the inlet piping.

On occasion, items are shipped loose. The injector pump, for example, is shipped loose. Be sure that you receive the correct number of packages as indicated on the Bill of Lading.

Claims for shortages and damages must be filed with the carrier by consignee. Permission to return goods must be received from the factory prior to shipping. Goods returned to the factory without an authorized Returned Goods Receipt number will not be accepted. All returned goods are subject to a restocking charge.

When ordering parts, you must specify the model and serial number of the heater. When ordering under warranty conditions, you must also specify the date of installation.

Purchased parts are subject to replacement only under the manufacturer's warranty. Debits for defective replacement parts will not be accepted. Parts will be replaced in kind only per Raypak's standard warranties.

Model Identification

The model identification number and heater serial number are found on the heater rating plate located on the upper rear jacket panel of the heater. The model number will have the form H7-3005 or similar depending on the heater size and configuration. The letter(s) in the first group of characters identifies the application (H = Hydronic Heating, WH = Domestic Hot Water (DHW), P = Pool). The number which follows identifies the firing mode (7 = electronic modulation). The second group of characters identifies the size of the heater (the four numbers representing the approximate MBTUH input), and, where applicable, a letter, indicating the manufacturing series.

Ratings and Certifications

⚠ WARNING: Altering any Raypak pressure vessel by installing replacement heat exchangers, tube bundle headers, or any ASME parts not manufactured and/or approved by Raypak will instantly void the ASME and CSA ratings of the vessel and any Raypak warranty on the vessel. Altering the ASME or CSA ratings of the vessel also violates national, state, and local approval codes.

Standards:

- ANSI Z21.13 · CSA 4.9 - latest edition, Gas-Fired Hot Water Boilers
- CAN 3.1 - latest edition, Industrial and Commercial Gas-Fired Package Boilers
- ANSI Z21.10.3 · CSA 4.3 - latest edition, Gas Water Heaters
- ANSI Z21.56 CSA 4.7 - latest edition, Gas Fired Pool Heaters
- Low-lead content (<.25%) CSA-certified

All Raypak heaters are National Board registered, and design-certified and tested by the Canadian Standards Association (CSA) for the U.S. and Canada. Each heater is constructed in accordance with Section IV of the American Society of Mechanical Engineers (ASME) Heater Pressure Vessel Code and bears the ASME stamp. This heater also complies with the latest edition of the ASHRAE 90.1 Standard.

Installations at Elevation

Rated inputs are suitable for up to 4,500 ft. (1,372 m) elevation without de-rating. Consult your local representative or the factory for installations at altitudes over 4,500 ft. (1,372 m) above sea level. No hardware changes are required to the heaters for installations up to 10,000 ft. (3,048 m) but adjustments may be required.

General Information

Model No.	MBTUH Input		Vent Size in. (mm)	
	Max.	Min.	Flue	Intake
3005	3000	300	10 (254)	10 (254)
3505	3500	350	10 (254)	12 (305)
4005	4000	560	12 (305)	12 (305)

Table B. Basic Data

Component Locations

NOTE: External injection pump not shown. Pump is shipped loose for field installation by others.

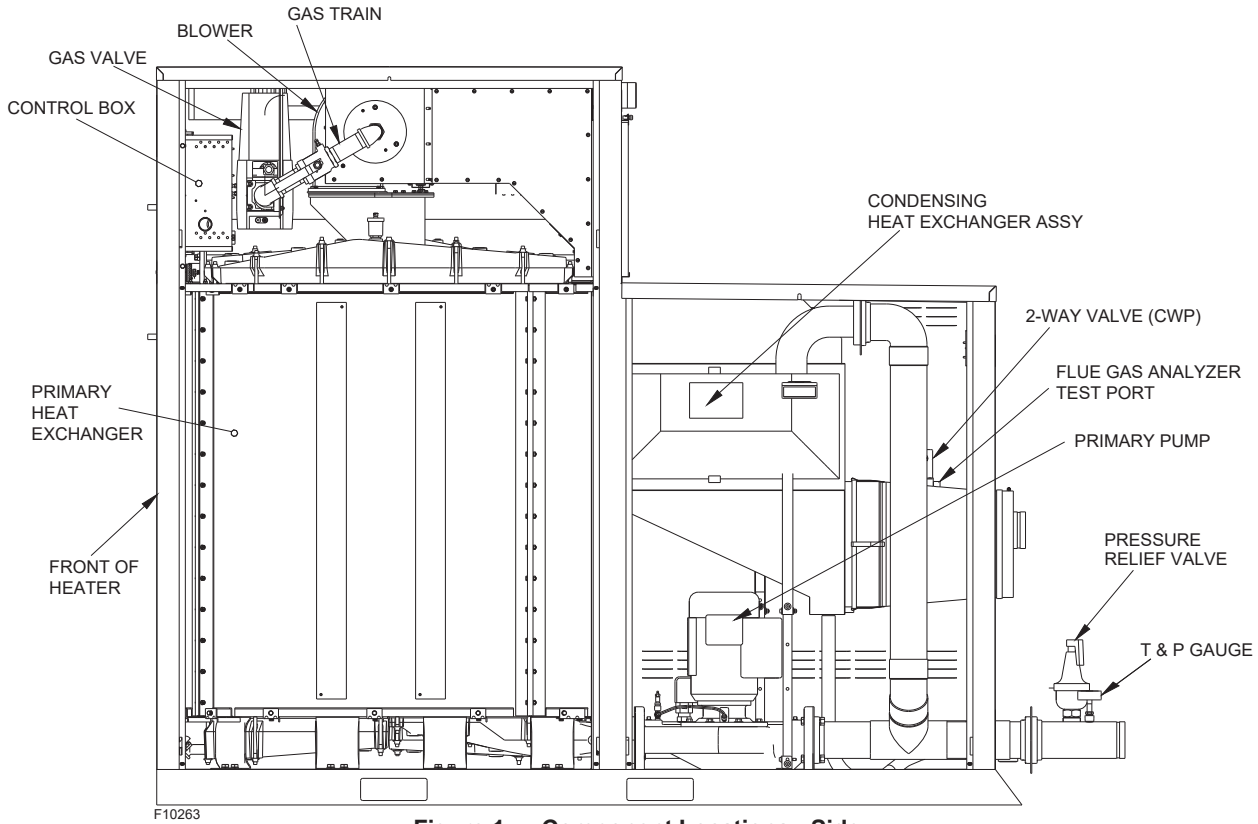


Figure 1. Component Locations - Side

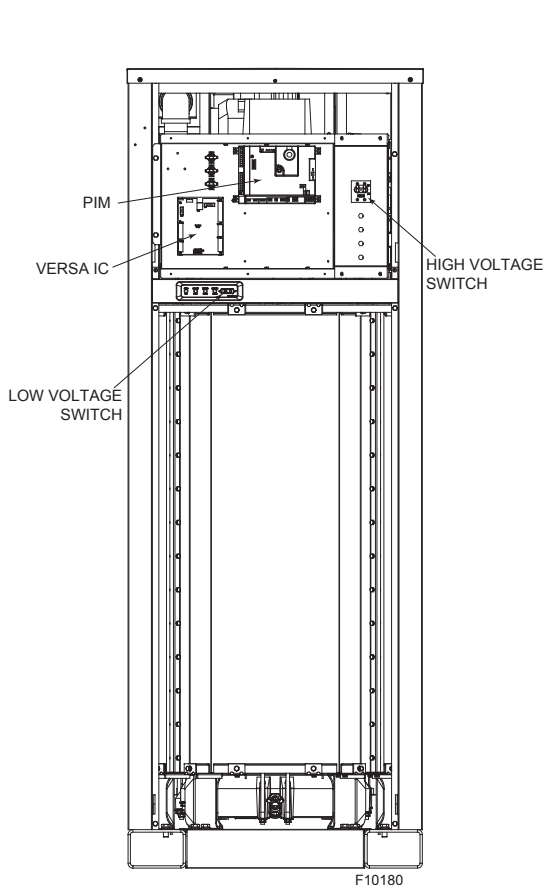


Figure 2. Component Locations - Front

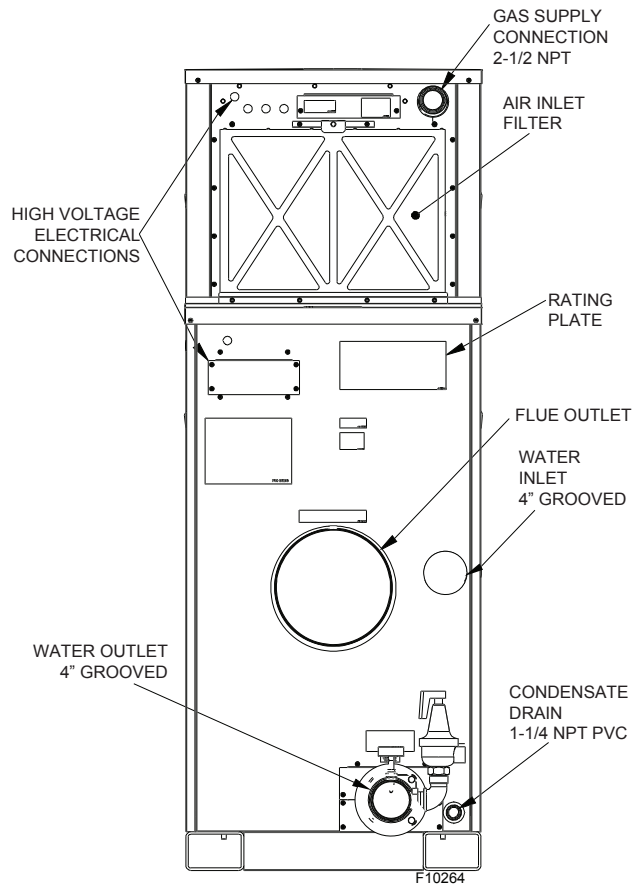


Figure 3. Component Locations - Rear

4. INSTALLATION

Installation Codes

Installations must follow these codes:

- Local, state, provincial, and national codes, laws, regulations and ordinances
- National Fuel Gas Code, ANSI Z223.1/NFPA 54 – latest edition (NFGC)
- National Electrical Code, ANSI/NFPA 70 - latest edition (NEC)
- Standard for Controls and Safety Devices for Automatically Fired Boilers, ANSI/ASME CSD-1, (CSD-1) when required
- For Canada only: CAN/CSA B149.1 Natural Gas and Propane Installation Code and CSA C22.1 C.E.C. Part 1 (C22.1)

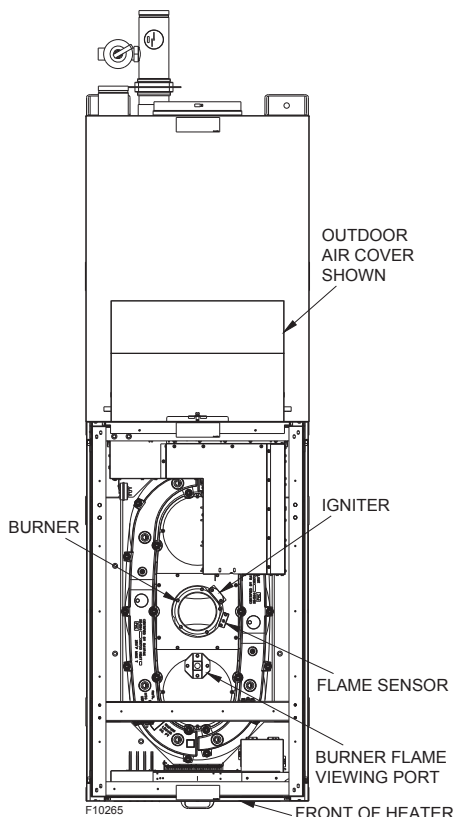


Figure 4. Component Locations – Top

Water Quality

The manufacturer recommends the following for properly filling your boiler with the appropriate water chemistry for closed-loop boilers. Good fill water quality will help extend the life of the appliance by reducing the effects of lime scale buildup and corrosion in closed-loop systems.

Conduct water quality testing prior to installing the appliance. Various solutions are available to adjust water quality.

Water Quality Parameters							
Hardness (GPG, ppm) Boiler	Hardness (GPG, ppm) Water Heater	TDS (Total Dissolved Solids) ppm	pH	Chlorides	Copper	Iron	Conductivity
15 ppm	3-4, 5-15, 16-25	N/L	N/L	N/L	N/L	N/L	N/L

Additional Information
N/L = Not Listed
ppm / 17.1 = gpg

Table C. Water Quality Table

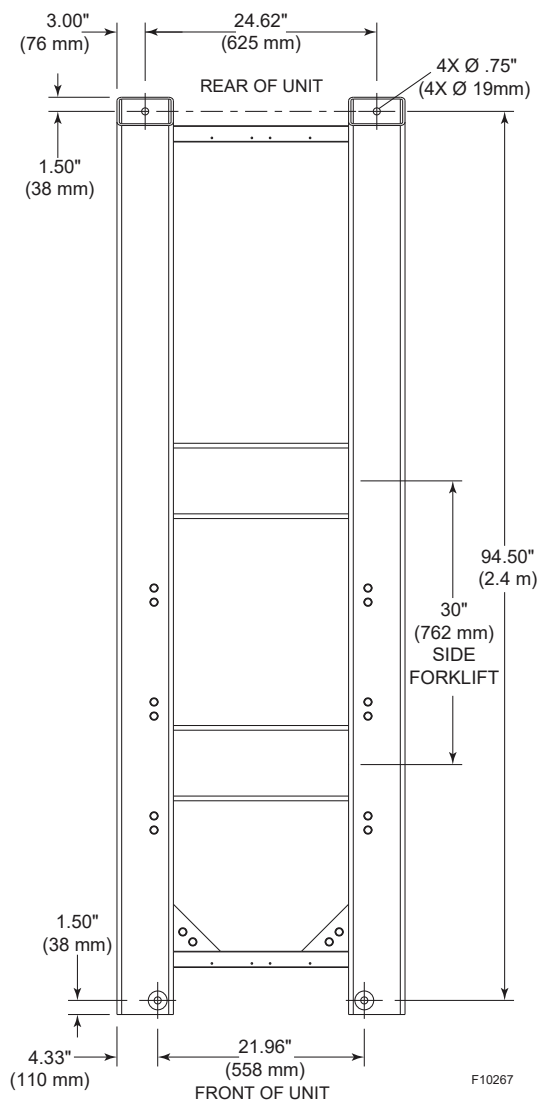


Figure 5. Anchor Hole Locations

Equipment Base

CAUTION: This heater should be located in an area where water leakage will not result in damage to the area adjacent to the appliances or to the structure. When such locations cannot be avoided, it is recommended that a suitable catch pan, adequately drained, be installed under the appliance. The pan must not restrict air flow.

The heater should be mounted on a level, structurally sound surface. The heater is approved for installation on a combustible surface but must NEVER be installed on carpeting. Gas-fueled equipment installed in enclosed parking garages must be located at least 18 in (457 mm) above the floor.

In addition, the heater shall be installed such that the gas ignition system components are protected from water (dripping, spraying, rain, etc.) during appliance operation or service (circulator replacement, control replacement, etc.).

If the heater needs to be secured to the ground, use the hole pattern following local codes. See **Figure 5**.

Clearances

Indoor Installations

NOTE: Combustible clearances may be reduced by providing appropriate protection as detailed in the National Fuel Gas Code, Table 10.2.3.

When installed according to the listed minimum clearances from combustible construction, these heaters can still be serviced without removing permanent structural construction around the heater. However, for ease of servicing, a clearance of at least 30 in (762 mm) in front, 24 in (610 mm) on one side, at least 36 in (914 mm) on the rear and 10 in (254 mm) above the top of the heater is required. This will allow the heater to be serviced in its installed location without movement or removal of the heater.

Heater Side	Minimum Clearance from Combustible Surfaces in. (mm)	Minimum Service Clearance in. (mm)
Floor*	0" (0 mm)	0" (0 mm)
Rear	12" (305 mm)	36" (914 mm)
Right-Side	1" (25 mm)	24" (610 mm)
Left-Side	1" (25 mm)	1" (25 mm)
Top	0" (0 mm)	10" (254 mm)
Front	Open	30" (762 mm)
Vent	1" (25 mm)	1" (25 mm)

*DO NOT install on carpeting.

Table D. Clearances – Indoor Installations

Combustible clearances may be reduced by providing appropriate protection as detailed in the National Fuel Gas Code, Table 10.2.3.

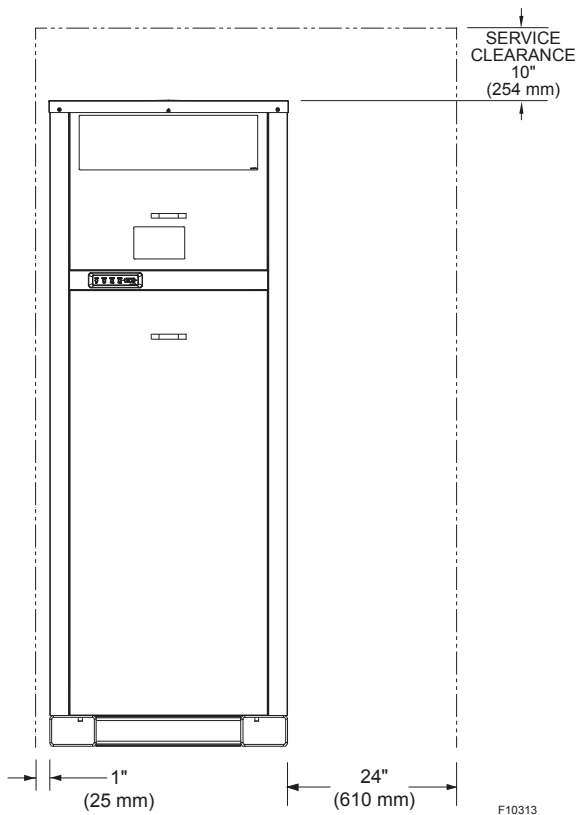
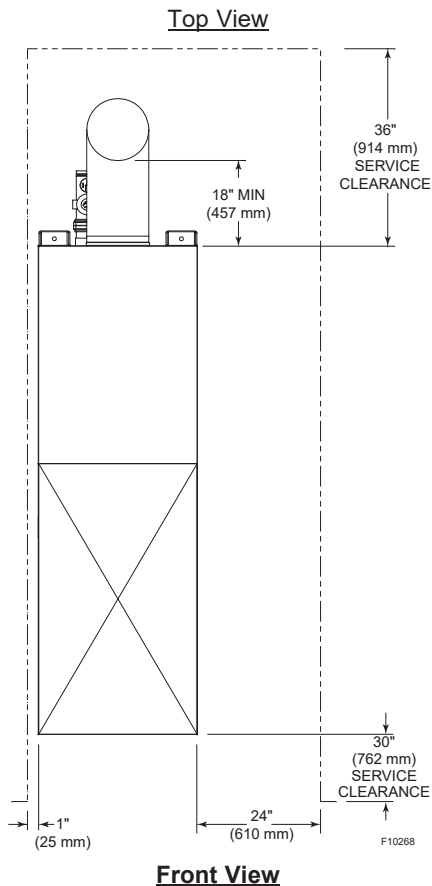


Figure 6. Minimum Clearances from Combustible Surfaces – Indoor and Outdoor Installations

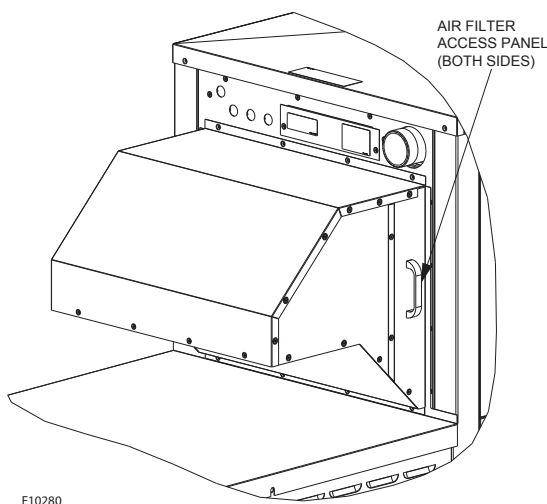
Service clearances less than the minimum may require removal of the heater to service either the heat exchanger or the burner components. In either case, the heater must be installed in a manner that will enable the heater to be serviced without removing any structure around the heater.

Outdoor Installation

CAUTION: Do not install where the condensate can freeze. Take appropriate measures.

These units may be installed outdoors when used with the outdoor air intake hood. The outdoor hood must be ordered when ordering the unit, and is shipped loose for field installation.

Heaters must not be installed under an overhang unless clearances are in accordance with local installation codes and the requirements of the gas supplier. Three sides must be open in the area under the overhang. Roof water drainage must be diverted away from heaters installed under overhangs.



F10280

Figure 7. Outdoor Air Intake

Heater Side	Minimum Clearance from Combustible Surfaces in. (mm)	Minimum Service Clearance in. (mm)
Rear	12" (305 mm)	36" (914 mm)
Front	Open	30" (762 mm)
Access Side	1" (25 mm)	24" (610 mm)
Opposite Side	1" (25 mm)	1" (25 mm)
Top	Unobstructed	10" (254 mm)
Vent Termination	12" (305 mm)	12" (305 mm)

Table E. Clearances – Outdoor Installations

Combustion and Ventilation Air

Inside Air Contamination

All heaters experience some condensation during start-up. The condensate from flue gas is acidic. Combustion air can be contaminated by certain vapors in the air which raise the acidity of the condensate. Higher acidity levels attack many materials including stainless steel, which is commonly used in high efficiency systems. The heater can be supplied with corrosion-resistant, non-metallic intake air vent material. You may, however, choose to use outside combustion air for one or more of these reasons:

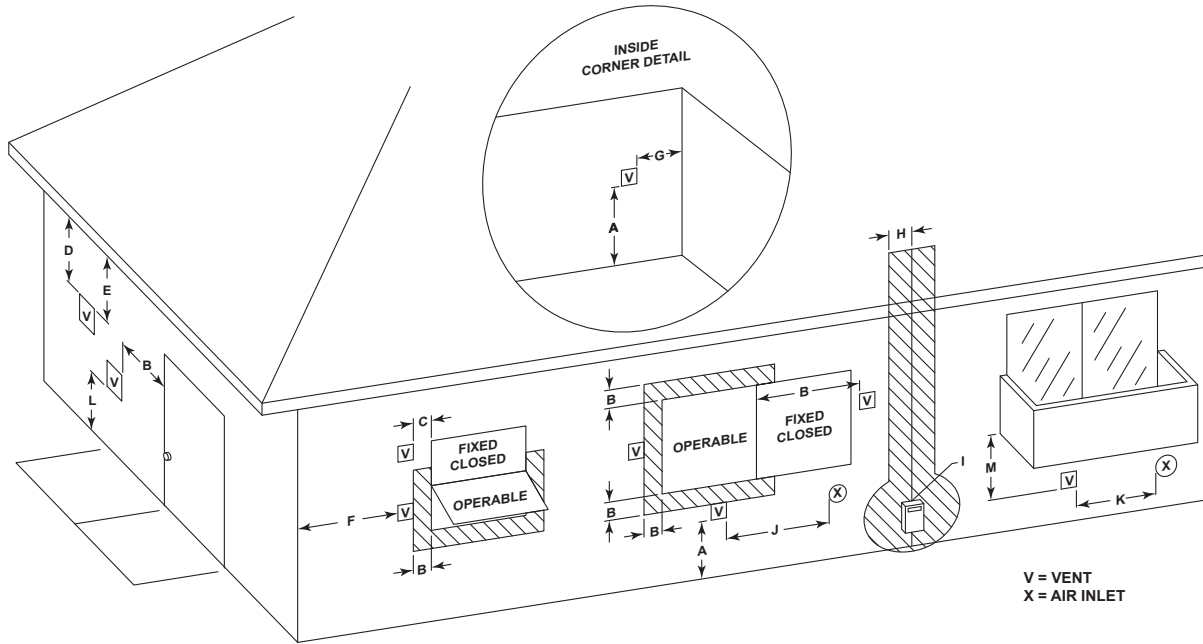
1. Installation is in an area containing contaminants listed below which will induce acidic condensation.
2. You want to reduce infiltration into your building through openings around windows and doors.
3. You are using AL29-4C stainless steel vent pipe, which is more corrosion-resistant than standard metallic vent pipe. In extremely contaminated areas, this may also experience deterioration.

Products causing contaminated combustion air:

- Spray cans containing chloro/fluorocarbons
- Permanent wave solutions
- Chlorinated waxes/cleaners
- Chlorine-based swimming pool chemicals
- Calcium chloride used for thawing
- Sodium chloride used for water softening
- Refrigerant leaks
- Paint or varnish removers
- Hydrochloric acid/muriatic acid
- Cements and glues
- Antistatic fabric softeners used in clothes dryers
- Chloride-type bleaches, detergents, and cleaning solvents found in household laundry rooms
- Adhesives used to fasten building products
- Similar products

Areas where contaminated combustion air commonly exists:

- Dry cleaning/laundry areas
- Metal fabrication plants
- Beauty shops
- Refrigeration repair shops
- Photo processing plants
- Auto body shops
- Plastic manufacturing plants
- Furniture refinishing areas and establishments
- New building construction



F10692

Figure 8. Minimum Clearances from Vent/Air Inlet Terminations – Indoor and Outdoor Installations

		U.S. Installations ¹	Canadian Installations ²
A	Clearance above grade, veranda, porch, deck, or balcony	1' (30 cm)	1' (30 cm)
B	Clearance to window or door that may be opened	4' (1.2 m) below or to side of opening	3' (91 cm)
C	Clearance to permanently closed window	*	*
D	Vertical clearance to ventilated soffit located above the terminal within a horizontal distance of 2' (61 cm) from the centerline of the terminal	5' (1.5 m)	*
E	Clearance to unventilated soffit	*	*
F	Clearance to outside corner	*	*
G	Clearance to inside corner	6' (1.83 m)	*
H	Clearance to each side of center line extended above meter/regulator assembly	*	3' (91 cm) within a height 15' above the meter/regulator assembly
I	Clearance to service regulator vent outlet	*	6' (1.83 m)
J	Clearance to non-mechanical air supply inlet to building or the combustion air inlet to any other appliance	4' (1.2 m) below or to side of opening; 1' (30 cm) above opening	3' (91 cm)
K	Clearance to mechanical air supply inlet	3' (91 cm) above if within 10' (3 m) horizontally	6' (1.83 m)
L	Do not terminate above paved sidewalk or paved driveway	+	
M	Clearance under veranda, porch, deck or balcony	*	12" (30 cm) ³

¹ In accordance with the current ANSI Z223.1/NFPA 54 National Fuel Gas Code.

² In accordance with the current CAN/CSA-B149.1 Installation Codes.

³ Permitted only if veranda, porch, deck, or balcony is fully open on a minimum of two sides beneath the floor and top of terminal, and underside of veranda, porch, deck or balcony is greater than 1' (30 cm).

* Clearances in accordance with local installation codes and the requirements of the gas supplier.

+ 7' (2.13 m) for mechanical draft systems; vents for Category II and IV appliances cannot be located above public walkways or other areas where condensate or vapor can cause a nuisance or hazard.

Table F. Vent/Air Inlet Termination Clearances

- Remodeling areas
- Open pit skimmers

Check for areas and products listed above before installing heater. If found:

- Remove products permanently, OR
- Install TruSeal direct vent.

Indoor Units

NOTE: Use of this heater in construction areas where fine particulate matter, such as concrete or dry-wall dust, is present may result in damage to the heater that is not covered by the warranty. If operated in a construction environment, a clean source of combustion air must be provided directly to the heater.

This heater must be supplied with sufficient quantities of non-contaminated air to support proper combustion and equipment ventilation. Combustion air can be supplied via conventional means where combustion air is drawn from the area immediately surrounding the heater, or via direct vent, where combustion air is drawn directly from outside. All installations must comply with the requirements of the NFGC (U.S.) and B149.1 (Canada), and all local codes.

Air Filter

CAUTION: Combustion air must not be contaminated by corrosive chemical fumes which can damage the heater and cause a non-warrantable failure.

An air filter is supplied standard with the heater.

NOTE: It is recommended that the intake vent be insulated to minimize sweating.

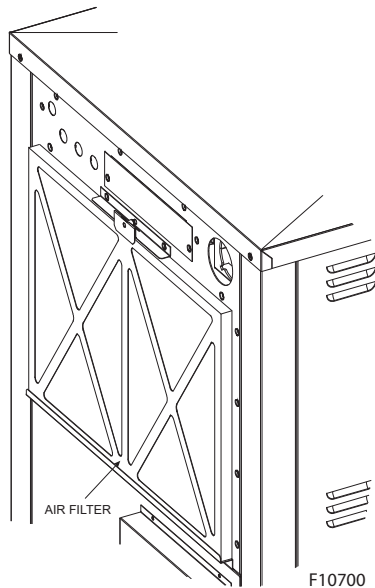


Figure 9. Air Filter

Direct Vent/Truseal™

CAUTION: Use Truseal combustion air if damaging airborne contaminants are or may be present in the heater area. See "Inside Air Contamination" on page 11.

Combustion air may be ducted directly to the heater using PVC, CPVC or sealed single-wall galvanized ducting. The resulting installation meets the requirements for a direct-vent installation.

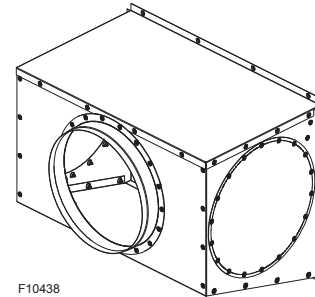


Figure 10. Air Intake Assembly (Sales Order Option D-22)

1. Install the Air Intake Assembly (sales order option D-22) over the combustion air intake port on the back of the unit. See **Figure 10**. Three intake ports are available: left side, right side and rear. Install the air intake collar on the selected port, and use the supplied covers to seal the other two ports. Air filter is accessed for inspection or replacement by removing other side panel (unused side).
2. Install combustion air duct to the Air Intake Assembly, as illustrated in **Figure 37** (horizontal duct) or **Figure 38** (vertical duct) of this manual. Seal the joint and fasteners with RTV (not supplied). All ducting shall be self-supporting.
3. In cold climates, and to mitigate potential freeze-up, Raypak highly recommends the installation of a motorized sealed damper to prevent the circulation of cold air through the heater during non-operating hours.
4. Ventilation of the room occupied by the heater(s) is required and can be provided by an opening(s) for ventilation air within 12 in (305 mm) of the highest practical point communicating with the outdoors. The total cross-sectional area of these openings shall be at least 1 in² (free air space per 20,000 BTUH (111 mm² per kW) of total input rating of all equipment in the room, when the opening is communicating directly with the outdoors or through vertical duct(s). The total cross-sectional area shall be at least 1 in² of net free air space per 10,000 BTUH (222 mm² per kW) of total input rating of all equipment in the room, when the opening is communicating with the outdoors through horizontal duct(s). Damage to the equipment due to inadequate ventilation of the space is not a warrantable failure.

Motorized Combustion Air Dampers or Louvers

When motorized dampers or louvers are used for combustion air, they must be interlocked with each appliance in the equipment room, to ensure proper operation. See "**Field Wiring Connection**" on page 25 for proper wiring instructions, using Fan/Damper dry contacts and external interlock.

Conventional Combustion Air Supply

▲ CAUTION: All ducting should be self-supported.

U.S. Installations

All Air from Inside the Building

The confined space shall be provided with TWO permanent openings communicating directly with an additional room(s) of sufficient volume so that the combined volume of all spaces meets the criteria for a room large in comparison (NFGC). The total input of all gas utilization equipment installed in the combined space shall be considered in making this determination. Each opening shall have a minimum free area of 1 in² per 1,000 BTUH (2,225 mm² per kW) of the total input rating of all gas utilization equipment in the confined space, but not less than 100 in² (645 cm²). One opening shall commence within 12 in (305 mm) of the top, and one opening shall commence within 12 in (305 mm) of the bottom of the enclosure. The minimum dimension of air openings shall be not less than 3 in (76 mm) in any direction.

All Air from Outdoors

The confined space shall communicate with the outdoors in accordance with one of the methods below. The minimum dimension of air openings shall not be less than 3 in (76 mm) in any direction. Where ducts are used, they shall be of the same cross-sectional area as the net free area of the openings to which they connect.

1. Two **permanent openings**, one commencing within 12 in (305 mm) of the top, and one commencing within 12 in (305 mm) of the bottom of the enclosure, shall be provided. The openings shall communicate directly, or by ducts, with the outdoors or spaces (crawl or attic) that freely communicate with the outdoors.
 - a. Where directly communicating with the outdoors or where communicating to the outdoors through vertical ducts, **each opening** shall have a minimum free area of 1 in² per 4,000 BTUH (550 mm² per kW) of total input rating of all equipment in the enclosure.

- b. Where communicating with the outdoors through horizontal ducts, each opening shall have a minimum free area of 1 in² per 2,000 BTUH (1,100 mm² per kW) of total input rating of all equipment in the enclosure.

2. **One permanent opening**, commencing within 12 in (305 mm) of the top of the enclosure, shall be permitted where the equipment has clearances of at least 1 in (25 mm) from the sides and back and 6 in (152 mm) from the front of the appliance. The opening shall directly communicate with the outdoors or shall communicate through a vertical or horizontal duct to the outdoors or spaces that freely communicate with the outdoors, and shall have a minimum free area of:
 - a. 1 in² per 3,000 BTUH (740 mm² per kW) of the total input rating of all equipment located in the enclosure, and
 - b. Not less than the sum of the areas of all vent connectors in the confined space.

▲ WARNING: Do not use the "one permanent opening" method if the equipment room is under negative-pressure conditions.

Canadian Installations

CAUTION: All combustion air must be drawn from the air outside of the building; the mechanical equipment room must communicate directly with the outdoors.

▲ WARNING: Care must be taken to ensure that the equipment room is not under negative-pressure conditions.

1. Ventilation of the space occupied by the heater shall be provided by an opening(s) for ventilation air at the highest practical point communicating with the outdoors. The total cross-sectional area of such an opening(s) shall be at least 10% of the area required in 2 and 3 below, but in no case shall the cross-sectional area be less than 10 in² (65 cm²).
2. For heaters using a barometric damper in the vent system there shall be a permanent air supply opening(s) having a cross section area of not less than 1 in² per 7,000 BTUH (320 mm² per kW) up to and including 1 million BTUH, plus 1 in² per 14,000 BTUH (160 mm² per kW) in excess of 1 million BTUH. This opening(s) shall be either located at or ducted to a point not more than 18 in (450 mm) nor less than 6 in (152 mm) above the floor level. The duct can also "goose neck" through the roof. The duct is preferred to be straight down and terminated 18 in (450 mm) from the floor, but not near piping. This air supply opening requirement shall be in addition to the air opening for ventilation air required in 1 above.

- For heaters not using a barometric damper in the vent system, and when air supply is provided by natural air flow from outdoors for a power burner and there is no draft regulator, draft hood or similar flue gas dilution device installed in the same space, in addition to the opening for ventilation air required in 1, there shall be a permanent air supply opening(s) having a total cross-sectional area of not less than 1 in² for each 30,000 BTUH (74 mm² per kW) of total rated input of the burner(s), and the location of the opening(s) shall not interfere with the intended purpose of the opening(s) for ventilation air referred to in 1. This opening(s) can be ducted to a point not more than 18 in (450 mm) nor less than 6 in (152 mm) above the floor level. The duct can also “goose neck” through the roof. The duct is preferred to be straight down 18 in (450 mm) from the floor, but not near piping.
- Refer to the B149.1 Installation Code for additional information

to operation. This is particularly true for hydronic systems using expensive glycol-based anti-freeze. Raypak recommends conducting the hydrostatic test before connecting gas piping or electrical supply.

Leaks must be repaired at once to prevent damage to the heater. NEVER use petroleum-based stop-leak compounds.

To perform hydrostatic test:

- Connect fill water supply. With bleed valve open, fill heater with water. When water flows from bleed valve, shut off water. Close bleed valve. Carefully fill the rest of the system, making sure to eliminate any entrapped air by using high-point vents. Close feed valve. Test at standard operating pressure for at least 24 hours.
- Make sure constant gauge pressure has been maintained throughout test.
- Check for leaks. Repair any that are found.

Water Piping

CAUTION: This heater must be installed with a Primary-Secondary piping arrangement for the variable flow pumping system to function properly.

NOTE: Minimum pipe size for the heater inlet/outlet connections is dependent on the equivalent length of piping between the load loop and the heater loop, the operating conditions and the size of the heater. See Table H and Table I.

Flushing/Cleaning of System Piping

Many of the chemicals used to perform this function will harm the heat exchanger as well as some of the gaskets and seals within the unit, causing a non-warrantable failure. When required, Raypak recommends the boiler be isolated from the system piping prior to flushing or cleaning, using any cleaning agent.

General

The heater should be located so that any water leaks will not cause damage to the adjacent area or structures.

Relief Valve Piping

The pressure relief valve is shipped mounted on the outlet adapter.

Temperature and Pressure Gauge

WARNING: Pressure relief valve discharge piping must be piped near the floor and close to a drain to eliminate the potential of severe burns. Do not pipe to any area where freezing could occur. Refer to local codes.

The temperature and pressure gauge is shipped threaded onto the boiler outlet assembly.

Hydrostatic Test

Unlike many types of heaters, this heater does not require hydrostatic testing prior to being placed in operation. The heat exchanger has already been factory-tested and is rated for 160 psi (1103 kPa) operating pressure. However, Raypak does recommend hydrostatic testing of the piping connections to the heater and the rest of the system prior

System Sensor Installation

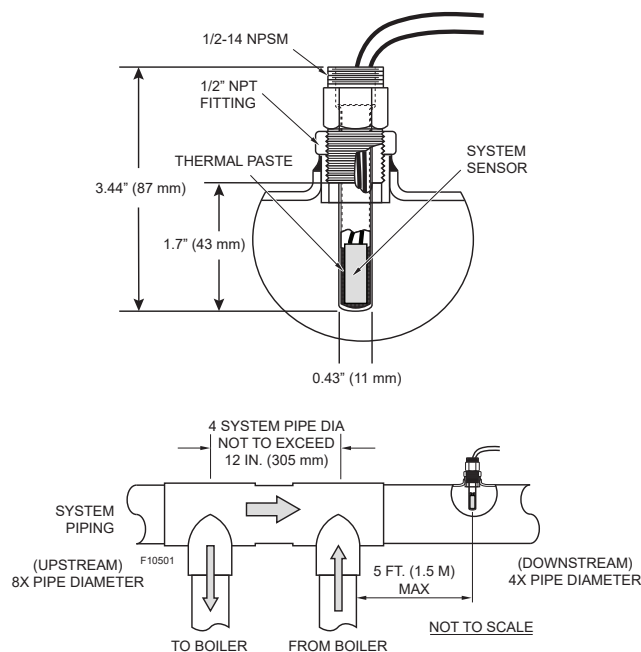


Figure 11. System Sensor Installation

The System Sensor (S3) is required for all selectable modes unless the units firing rate will be controlled by an external source such as our Temp Tracker MOD+ Hybrid sequencer. Proper placement and method of installation are critical for proper operation of the system. The sensor must be installed in a drywell in conjunction with heat conductive compound as shown in the following images. The drywell must be installed no more than 5 equivalent ft (1.5 m) of pipe/tubing downstream of the de-coupler and installed in such a way that ensures the sensor bulb is in the flow path.

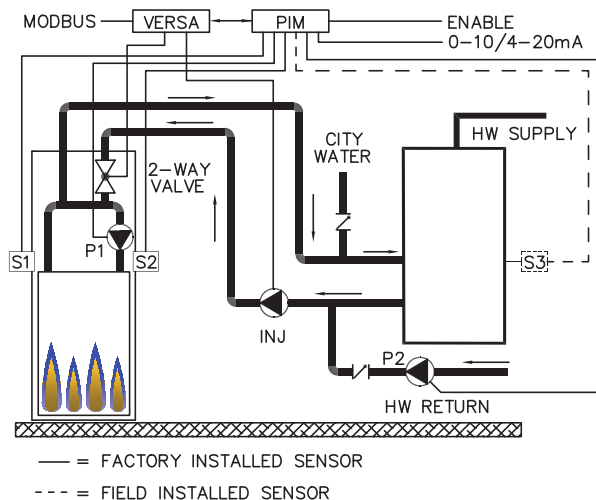


Figure 12. High Temp Potable and Process Open Loop: H model, Single with Storage Tank

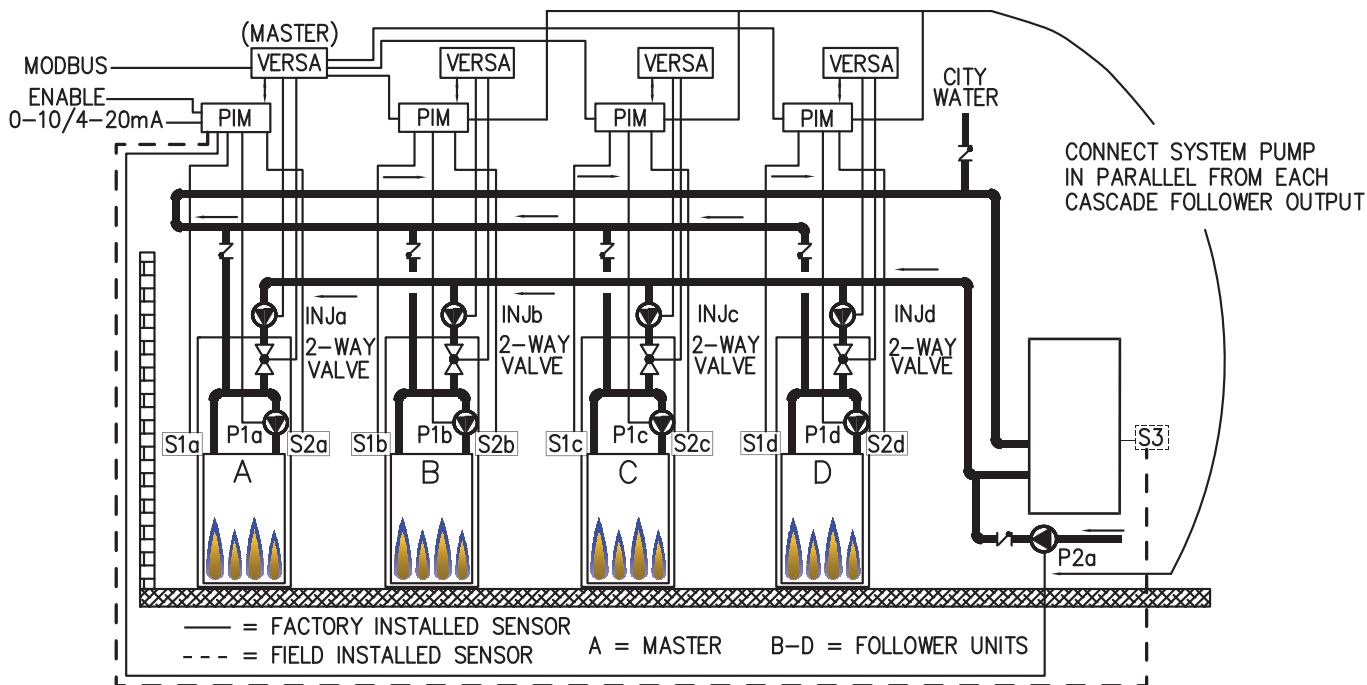


Figure 13. High Temp Potable and Process Open Loop: H model, Cascade with Storage Tank

Raypak Integral Cold Water Protection

CAUTION: Be careful when installing the drywell not to over-tighten the well as this can damage the well and may prevent the sensor from fitting properly.

XTherm heaters are equipped with an integral cold water protection system, which uses a proportional two-way valve and injection pump to modulate the return water flow, forcing the boiler pump to pull water from the boiler outlet to the inlet during operation. This feature allows the system to achieve and maintain a specific inlet temperature target. H models are designed to operate with system return water temperatures down to 50°F (10°C) continuous. Under start-up conditions the injector system can operate with fluid temperatures below 50°F (10°C). Continuous operation below 50°F (10°C) return water temperature may cause operational issues for the unit as well as temperature control instability. XTherm WH models are equipped with pumps and proportional valves, which are constructed with materials appropriate for domestic hot water operating conditions. Contact your local representative or the factory for applications assistance.

Hydronic Heating

NOTE: All hot water heating systems have unique levels of operating diversity that must be accounted for in the system design. The system should always include adequate system flow in excess of the connected boiler flow for proper operation. Where the system flow may drop below the connected boiler flow a buffer/decoupler may be needed. Failure to design for adequate flow (i.e. bypasses, 3-way control valves, flow-limiting balance devices, buffer tanks, etc.) will result in boiler short-cycling and may reduce boiler life. Always contact your local Raypak representative for system design assistance to avoid these issues.

Pump Selection

NOTE: Injection Pump is field-installed outside the cabinet, as shown in the piping diagrams.

The heater is equipped with an integral cold water protection system that includes a proportional two-way valve, which in conjunction with an on/off injection pump (shipped loose), will provide the necessary flow from the system loop and a heater pump, for the optimal ΔT across the primary heat exchanger. The system is designed for continuous return temperatures from 50°F (10°C) to 200°F (93°C).

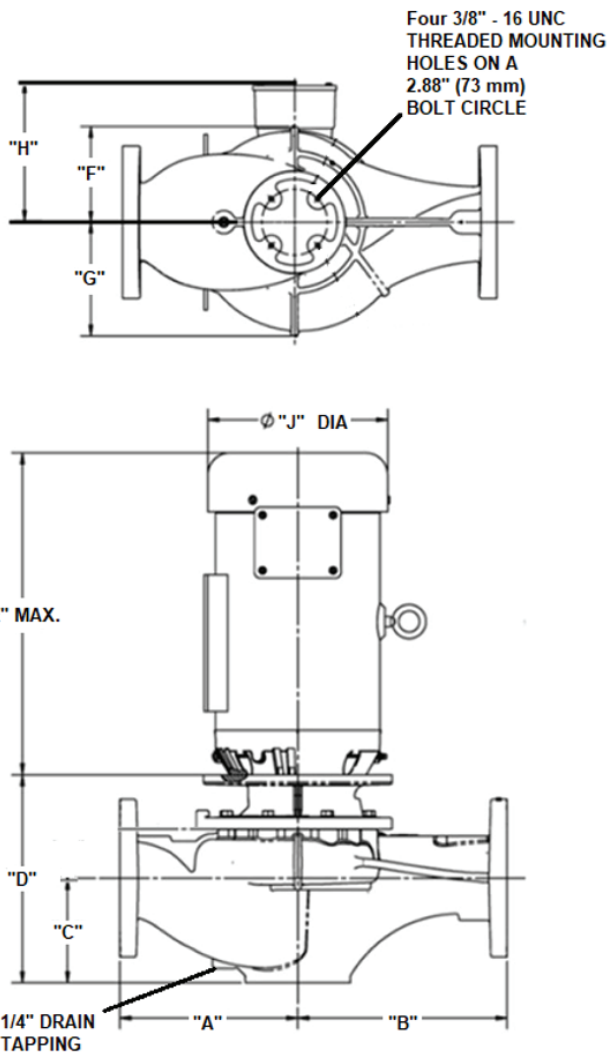


Figure 14. Injection Pump

Model No.	Dimensional Call-Outs								
	A	B	C	D	E	F	G	H	J
3005	3-5/8 (92)	21 (533)	16-1/2 (419)	19-1/2 (495)					
3505	10 (254)	10 (254)	6-5/16 (160)	11.29 (288)	12.25 (311)	5.42 (138)	6.55 (166)	6.87 (174)	11.07 (281)
4005									

Table G. Injection Pump Dimensions: in. (mm)

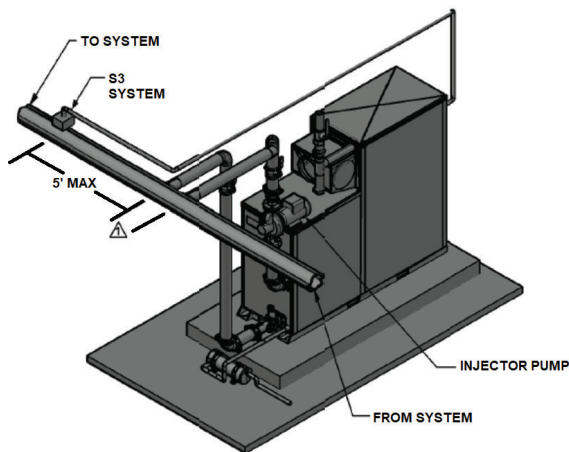
Feedwater Regulator

Raypak recommends that a feedwater regulator be installed and set at 12 psi (83 kPa) minimum pressure at the highest point of the system. Install a check valve or back flow device upstream of the regulator, with a manual shut-off valve as required by local codes.

Piping

All high points should be vented. A heater installed above radiation level must be provided with a low water cut-off device (sales order option F-10). This heater, when used in connection with a refrigeration system, must be installed so that the chilled medium is piped in parallel with the heater with appropriate valves to prevent the chilled medium from entering the heater.

The piping system of a hot water heater connected to heating coils located in air-handling units where they may be exposed to circulating refrigerated air, must be equipped with flow-control valves or other automatic means to prevent gravity circulation of the heater water during the cooling cycle. It is highly recommended that the piping be insulated.



1 Maximum distance 4 system pipe diameters, not to exceed 12" (305 mm)

Figure 15. Hydronic Piping

Air-Separation/Expansion Tank

All heaters should be equipped with a properly-sized expansion tank and air separator fitting. See **Figure 16**.

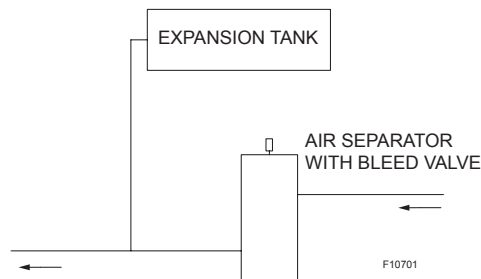


Figure 16. Air-Separation/Expansion Tank

Three-Way Valves

Three-way valves intended to regulate system water temperatures by reducing flow in the boiler should not be used. Raypak heaters are high-recovery, low-mass heaters which are not subject to thermal shock.

Sys Ret Temp °F (°C)	Model 3005 (30°F Sys Δ T)				Model 3505 (32°F Sys Δ T)				Model 4005 (33°F Sys Δ T)			
	Supply Temp °F (°C)	Sys Flow GPM (lpm)	Pipe max. eq. ft. (m)		Supply Temp °F (°C)	Sys Flow GPM (lpm)	Pipe max. eq. ft. (m)		Supply Temp °F (°C)	Sys Flow GPM (lpm)	Pipe max. eq. ft. (m)	
			3"	4"			3"	4"			3"	4"
60 (16)	146 (63)	66 (250)		110 (34)	148 (64)	76 (288)		100 (30)	144 (64)	90 (341)		100 (30)
80 (27)	146 (63)	86 (326)		110 (34)	48 (64)	98 (371)		100 (30)	144 (64)	119 (451)		100 (30)
100 (38)	146 (63)	124 (469)		110 (34)	48 (64)	139 (526)		100 (30)	144 (64)	173 (655)		100 (30)
120 (49)	150 (66)	190 (719)		110 (34)	152 (67)	208 (787)		100 (30)	153 (67)	230 (781)		100 (30)
140 (60)	170 (77)	190 (719)		110 (34)	172 (78)	208 (787)		100 (30)	173 (78)	230 (781)		100 (30)
160 (71)	190 (88)	190 (719)		110 (34)	192 (89)	208 (787)		100 (30)	193 (89)	230 (781)		100 (30)
ΔP MAX	190 GPM @ 2.3 ft. hd. (719 LPM @ 6.9 kPa)				208 GPM @ 2.5 ft. hd. (787 LPM @ 7.5 kPa)				230 GPM @ 2.95 ft. hd. (871 LPM @ 8.8 kPa)			

HIGH FIRE CONDITIONS

Chart above represents performance capacity for injection pump as provided with the unit. Pipe size determined by velocity not to exceed 7.5 ft per sec (2.3 m per sec).

Table H. Boiler Rates of Flow for Various System Pipe Sizes

Applications and Modes

NOTE: In cascade configuration the system pump and DHW pump (if applicable) outputs from each cascade member must be connected in parallel to activate the system pump and DHW pump during “limp along” operation respectively. See VERSA IC[®] manual 241493 for detailed information.

The VERSA IC[®] Control system is designed for a wide range of applications. The installer/design engineer should refer to the following Modes to determine which best fits the intended application and functionality for the unit being installed.

Type H models of XTherm have three modes available to them to address the various applications the units can be applied to. Type WH units will only have the WH configuration available to them for use with potable water applications when directly connected to a hot water storage tank. Type P units will only have the pool configuration.

For detailed information on the VERSA IC[®] control system, see (241493). This manual can be found in the document library at www.raypak.com.

Min System Flow = 120% of Max Boiler Flow

Mode 1 (Type H Units Only)

This mode selection is for hydronic heating systems with single or multiple boilers (See VERSA IC[®] manual 241493 for detailed Cascade Operation) in primary/secondary piping configuration with or without Outdoor Air Reset (S4). The system temperature is controlled by the System sensor (S3). The Boiler/Injection Pump (P1) runs during any call for heat. The System Pump (P2) runs whenever the system is enabled for heating and the outdoor air

temperature is lower than the warm weather shut down (WWSD) temperature setting (if utilized). The Boiler/ Injection Pump (P1) is delayed “off” as user defined in the BOILER menu and the System Pump (P2) is delayed “off” in the ADJUST menu (figures up to 4 units for reference only).

NOTE: MODE 1 can also be used for process heating applications in conjunction with a buffer/storage tank when operating temperatures above 160°F (71°C) are required. Water hardness must be no more than 15 grains per gallon (4 grains per liter) for scale-free operation.

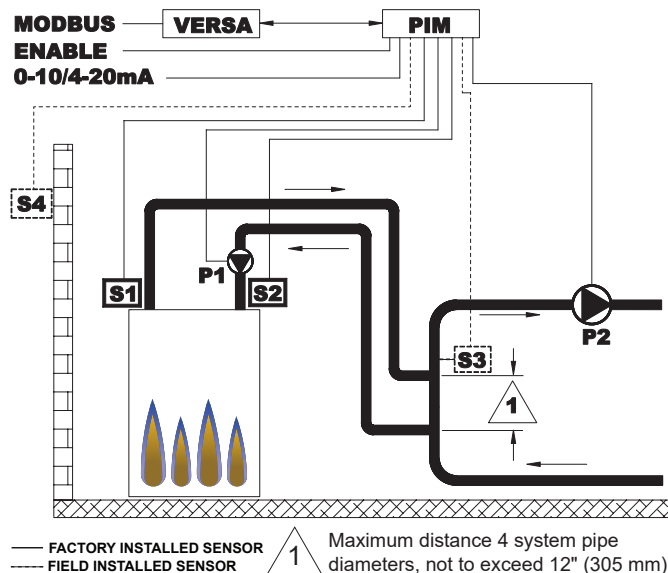


Figure 17. MODE 1 - Single Boiler with Primary/Secondary Piping

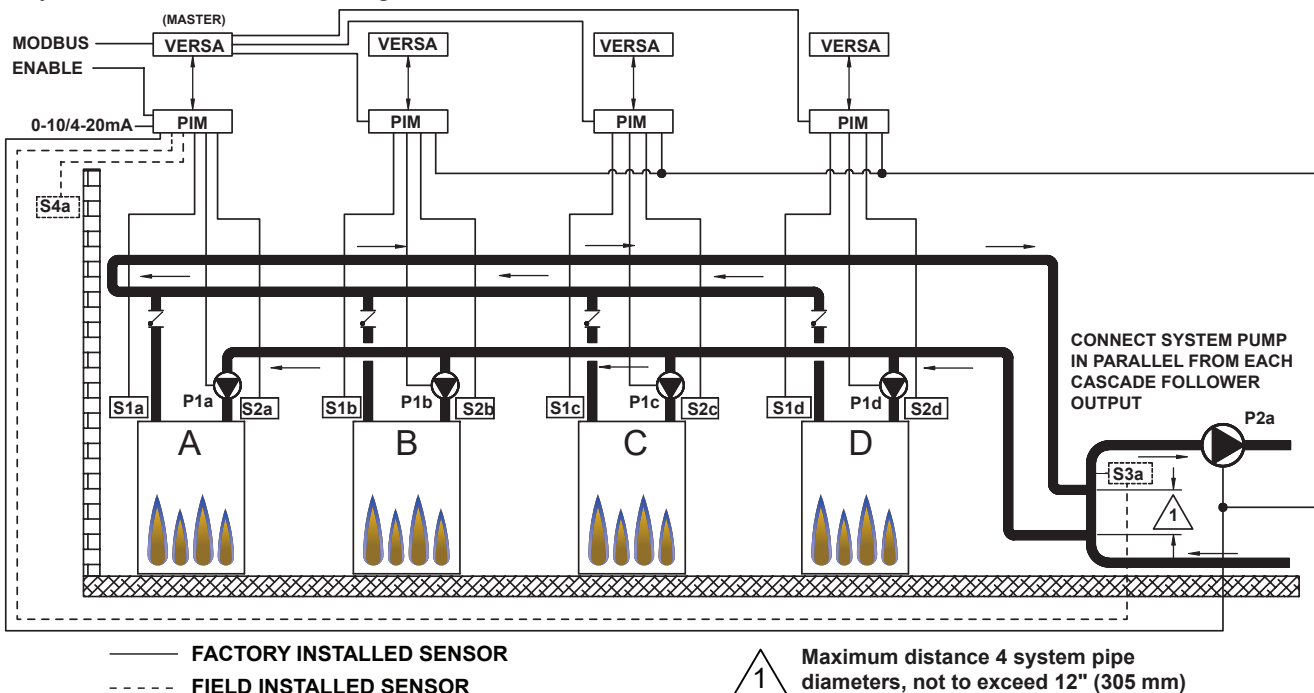


Figure 18. MODE 1 - Boiler Cascade with Primary/Secondary Piping

Mode 2 (Type H Units Only)

This mode selection is for hydronic heating systems with single or multiple boilers in primary/secondary piping configuration with or without Outdoor Air Reset (S4) with indirect DHW on the system loop (with or without priority). The system temperature is controlled by the System sensor (S3). The Indirect DHW sensor (S5) determines the indirect call/tank setpoint. The system temperature is boosted to Target Max when using the Indirect DHW sensor (S5) during an indirect call for heat. Priority mode toggles off the System Pump (P2) when an indirect call for heat is present. The Boiler/Injection Pump (P1) runs during any call for heat. The Indirect DHW Pump (P3) runs during an indirect call for heat with no “off” delay. The Boiler/Injection Pump (P1) is delayed “off” as user defined in the BOILER menu and the System Pump (P2) is delayed “off” in the ADJUST menu. The System Pump (P2) runs whenever the system is enabled for heating and the outdoor air temperature is lower than the WWSD temperature setting (if utilized) unless an indirect call for heat is present with priority.

NOTE: Refer to VERSA IC® manual (241493) for details on Cascade Operation.

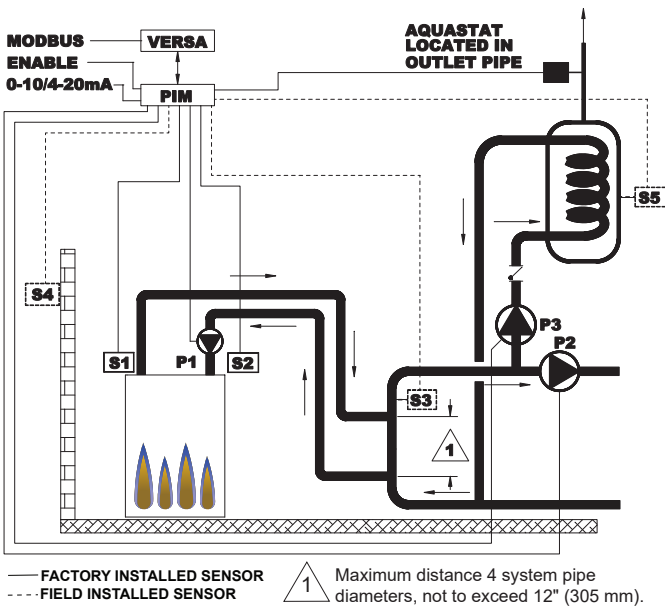


Figure 19. MODE 2 - Single Boiler with Indirect on System Loop

Mode 3 (Type H Units Only)

This mode selection is for hydronic heating systems with single or multiple boilers in primary/secondary piping configuration with or without Outdoor Air Reset (S4) with indirect DHW on the boiler loop (with priority). The system temperature is controlled by the Supply sensor (S3) whenever the indirect call for heat is not active. The DHW Supply sensor (S5) determines the indirect call/tank setpoint. During an indirect call for heat the boiler firing

rate is determined by the water temperature at the Indirect Supply sensor (S6) and the Target Max setting when using the Indirect DHW sensor (S5). The Boiler/Injection Pump (P1) runs during all heat calls regardless of priority. The Indirect DHW Pump (P3) runs during an indirect call for heat with no “off” delay. The Boiler/Injection Pump (P1) is delayed “off” as user defined in the BOILER menu and the System Pump (P2) is delayed “off” in the ADJUST menu. The system pump (P2) runs whenever the system is enabled for heating and the outdoor air temperature is lower than the WWSD temperature setting (if utilized) unless an indirect call for heat is present.

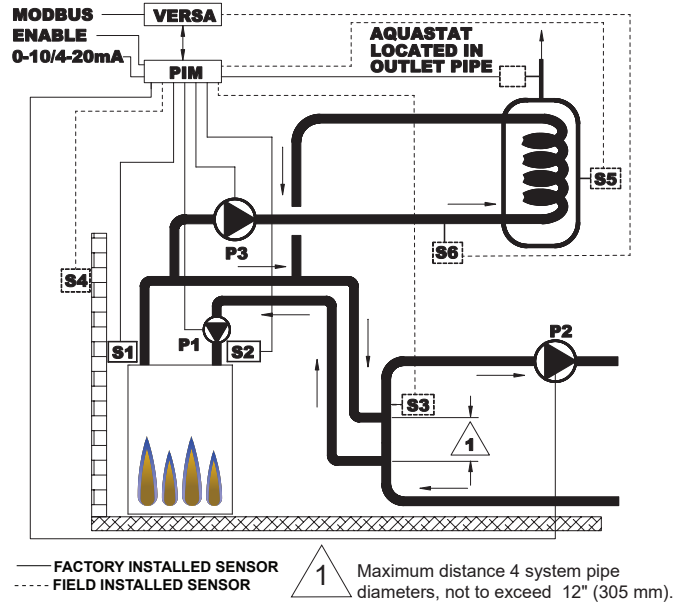


Figure 20. MODE 3 - Single Boiler with Indirect on Boiler Loop

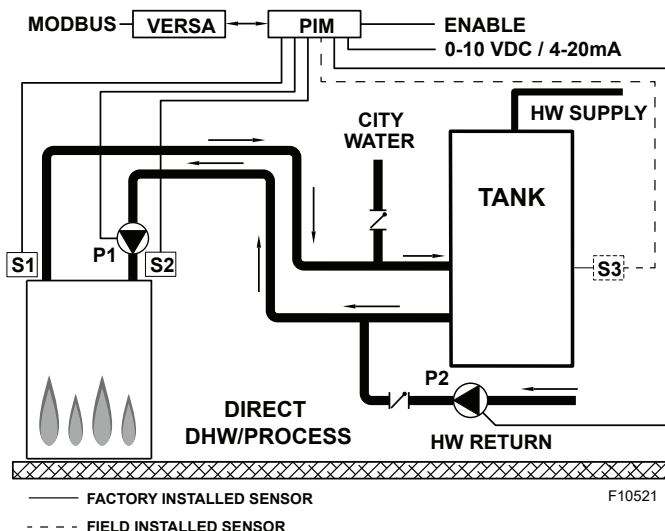
WH – Direct DHW Configuration

When the unit is ordered as a “WH” configuration, the only application available to it is direct DHW with single or multiple heaters (refer to VERSA IC® manual 241493 for details on Cascade Operation). The tank temperature is controlled by the System sensor (S3). The Boiler/Injection Pump (P1) runs during any call for heat. The System Pump (P2) output is active whenever the system is enabled. The Boiler Pump is delayed “off” as user-defined in the BOILER menu.

NOTE: A Tank Aquastat can be used in lieu of the Indirect DHW Sensor (S5). See the VERSA IC® manual for additional details.

NOTE: WH units will operate to a maximum tank temperature of 160°F (71°C). For setpoints above 160°F (71°C), an “H” model boiler configured for high-temperature potable operation must be used and water hardness must be no more than 15 grains per gallon (4 grain per liter) for scale-free operation. MODE 1 should be used and configured for setpoint operation for process heating applications.

NOTE: If local codes require a vacuum relief valve, acquire one locally and install per valve manufacturer's instructions.



Domestic Hot Water

When designing the water piping system for domestic hot water applications, water hardness should be considered. Table H indicates the suggested flow rates for soft, medium and hard water. Water hardness is expressed in grains per gallon.

Figure 21. WH Units - Single Water Heater with Tank; H Units - Single Boiler with Process Tank

Model 3005							
Soft (2-4)		Med (5-15)		Hard (16-25)		Pipe max. eq. ft. (190 gpm @ 2.1 ft. hd.)	
Supply Temp °F (°C)	Sys Flow GPM (lpm)	Supply Temp °F (°C)	Sys Flow GPM (lpm)	Supply Temp °F (°C)	Sys Flow GPM (lpm)	3"	4"
148 (64)	84 (318)	139 (59)	97 (367)	139 (59)	97 (367)		110 (33)
148 (64)	119 (451)	139 (59)	146 (553)	139 (59)	146 (553)		110 (33)
150 (65)	190 (719)	150 (66)	190 (719)	150 (66)	190 (719)		110 (33)
170 (77)	190 (719)	170 (77)	190 (719)	170 (77)	190 (719)		110 (33)

Model 3505						Model 4005									
Soft (2-4)		Med (5-15)		Hard (16-25)		Pipe max. eq. ft. (222 gpm @ 2.7 ft. hd.)		Soft (2-4)		Med (5-15)		Hard (16-25)		Pipe max. eq. ft. (253 gpm @ 3.5 ft. hd.)	
Supply Temp °F (°C)	Sys Flow GPM (lpm)	Supply Temp °F (°C)	Sys Flow GPM (lpm)	Supply Temp °F (°C)	Sys Flow GPM (lpm)	3"	4"	Supply Temp °F (°C)	Sys Flow GPM (lpm)	Supply Temp °F (°C)	Sys Flow GPM (lpm)	Supply Temp °F (°C)	Sys Flow GPM (lpm)	3"	4"
148 (64)	98 (371)	143 (62)	106 (401)	143 (62)	106 (401)		100 (30)	148 (64)	112 (424)	146 (63)	115 (435)	146 (63)	115 (435)		100 (30)
148 (64)	139 (526)	143 (62)	155 (587)	143 (62)	155 (587)		100 (30)	148 (64)	158 (598)	146 (63)	165 (625)	146 (63)	165 (625)		100 (30)
150 (65)	222 (840)	150 (65)	222 (840)	150 (65)	222 (840)		100 (30)	150 (65)	253 (958)	150 (65)	253 (958)	150 (65)	253 (958)		100 (30)
170 (77)	222 (840)	170 (77)	222 (840)	170 (77)	222 (840)		100 (30)	170 (77)	253 (958)	170 (77)	253 (958)	170 (77)	253 (958)		100 (30)

HIGH FIRE CONDITIONS

Flow rates determined based on max temperature rise of 30°F (17°C). Pipe size selected based on 7.5 ft (2.3 m) per sec maximum velocity.

*Must utilize optional cupronickel tubes. If over 25 grains per gallon (6.6 grain per liter), a water softener/treatment system must be utilized.

**Caution: For scale-free operation with "Hard Water", 16-25 grains per gallon of total hardness(4.2-6.6 grains per liter), the operating control must NOT be set higher than 130°F (54°C). For higher than 130°F (54°C) operation, a water softener/treatment system must be utilized.

***Care should be given to prevent over-softening of the water as over-softened water can become aggressive. Cupronickel tubes are recommended for water softened below 5 grains per gallon (1 grain per liter).

Table I. Domestic Water Heater Flow Rate Requirements

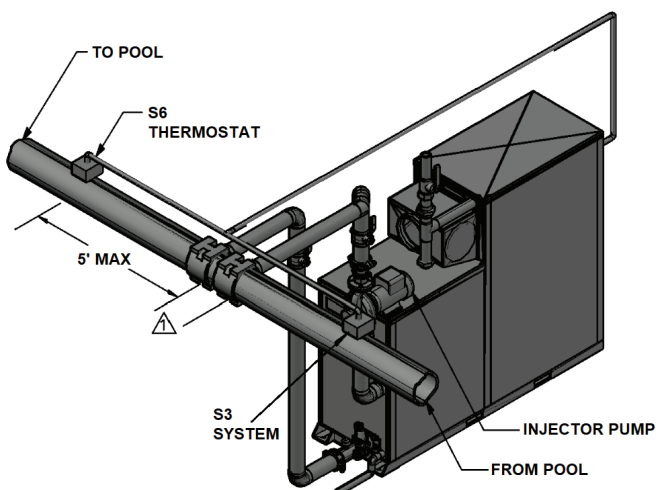
Pool Heating

⚠ WARNING: To ensure safe operation of the XTherm pool heater, all plumbing from the heater to the main loop must be CPVC, copper or brass.

For a Pool heating application, always verify that the XTherm unit has been ordered as a pool heater. The VERSA control board when set for a Pool heating application will enable a built-in Thermostat function using the S6 sensor. This function is mandatory for all Pool Applications.

To complete installation of the heater, the system sensor must be installed in the return water line, upstream of the heater. The supplied electronic operating control is configured to operate as the poolstat.

Install sensor in supply to pool. See **Figure 22**. For data on acceptable pool chemistry, see **Table J**.



1 Maximum distance 4 system pipe diameters, not to exceed 12" (305 mm)

Figure 22. Single Pool Heater Application

Potable Water and Space Heating

NOTE: Failure of a heat exchanger due to lime scale build-up on the heating surface, low pH or other chemical imbalance is non-warrantable.

⚠ CAUTION: Combustion air must not be contaminated by corrosive chemical fumes which can damage the heater and void the warranty.

CAUTION: When this heater is used for both potable water and space heating, observe the following to ensure proper operation.

1. All piping materials and components connected to the water heater for the space heating application shall be suitable for use with potable water.
2. Toxic chemicals, such as used for boiler treatment, shall not be introduced into the potable water used for space heating.
3. If the heater will be used to supply potable water, it shall not be connected to any heating system or components previously used with a non-potable water heating appliance.
4. When the system requires water for space heating at temperatures higher than 140°F (60°C), a means such as a mixing valve shall be installed to temper the water in order to reduce scald hazard potential.

Automatic Chemical Feeders

NOTE: High chemical concentrates from feeders that are out of adjustment will cause rapid corrosion to the heat exchanger. Such damage is not covered under the warranty.

All chemicals must be introduced and completely diluted into the water before being circulated through the heater. High chemical concentrations will result when the pump is not running (e.g. overnight).

Recommended Level(s)	Fiberglass Pools	Fiberglass Spas	Other Pool and Spa Types
Water Temperature	68-88°F (20-31°C)	89-104°F (31-40°C)	68-104°F (20-40°C)
pH	7.3-7.4	7.3-7.4	7.6-7.8
Total Alkalinity (ppm)	120-150	120-150	80-120
Calcium Hardness (ppm)	200-300	150-200	200-400
Salt (ppm)	3000 Maximum	3000 Maximum	3000 Maximum
Free Chlorine (ppm)*	2-3	2-3	2-3
Total Dissolved Solids (ppm)	1500 Maximum**	1500 Maximum**	1500 Maximum**

*Free Chlorine **MUST NOT EXCEED** 5 ppm!

**In saltwater chlorinated pools, the total TDS can be as high as 4500 ppm.

NOTE: The allowable concentrations of salt and of the Total Dissolved Solids are lower for the XTherm than for a typical residential pool heater, due to the higher water temperatures at which an XTherm operates.

Table J. Pool Water Chemistry

Gas Supply

▲ DANGER: Make sure the gas on which the heater will operate is the same type as specified on the heater's rating plate.

Gas piping must have a sediment trap ahead of the heater gas controls, and a manual shut-off valve located outside the heater jacket. It is recommended that a union be installed in the gas supply piping adjacent to the heater for servicing. The gas supply pressure to the heater must not exceed 10.5 in. WC for natural gas or 13.0 in. WC for propane gas. A pounds-to-inches regulator must be installed to reduce the gas supply pressure if it is higher than noted above. This regulator should be placed a minimum distance of 10 times the pipe diameter upstream of the heater gas controls. See **Table K** for maximum pipe lengths.

Gas Regulator Best Practices

From the gas pressure regulator it is recommended to have no less than 10 pipe diameters of straight smooth pipe downstream of the regulator discharge and to have no less than 10 linear feet (not including fittings) between the regulator and the inlet to the appliance for proper operation. See **Figure 23**.

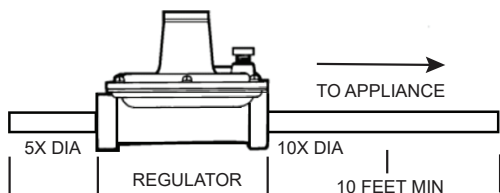


Figure 23. Gas Regulator Distances

Gas Supply Connection

CAUTION: The heater must be disconnected from the gas supply during any pressure testing of the gas supply system at test pressures in excess of 1/2 PSI (3.45 kPa).

▲ CAUTION: Do not use Teflon tape on gas line pipe thread. A pipe compound rated for use with natural and propane gases is recommended. Apply sparingly only on male pipe ends, leaving the two end threads bare.

▲ CAUTION: Support gas supply piping with hangers, not by the heater or its accessories. Make sure the gas piping is protected from physical damage and freezing, where required.

The heater must be isolated from the gas supply piping system by closing the upstream manual shut-off valve during any pressure testing of the gas supply piping system at test pressures equal to or less than 1/2 psi (3.45 kPa). Relieve test pressure in the gas supply line prior to re-connecting the heater and its manual shut-off valve to the gas supply line. **FAILURE TO FOLLOW THIS PROCEDURE MAY DAMAGE THE GAS VALVE.** Over-pressurized gas valves are not covered by warranty. The

heater and its gas connections shall be leak-tested before placing the appliance in operation. Use soapy water for leak test. **DO NOT** use an open flame.

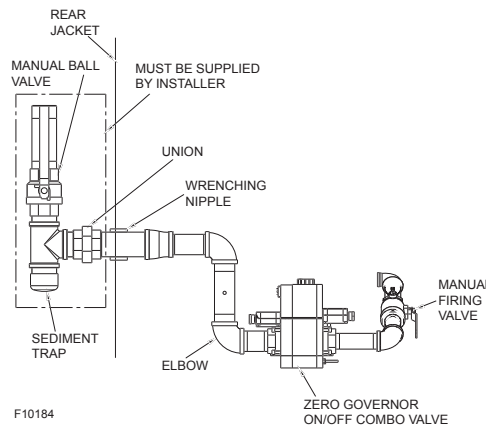


Figure 24. Gas Supply Connection

Gas Supply Pressure

▲ CAUTION: For proper operation, no more than a 30% drop in gas supply pressure from no-load to full-load conditions is acceptable. Under no circumstances should the pressure be outside the listed operational range.

▲ WARNING: During normal operation, carbon dioxide should be $9.7\% \pm 0.5\%$ at full fire for natural gas and $11.2\% \pm 0.5\%$ for propane gas. Carbon monoxide should be less than 100 ppm at all firing rates, measured at test port, on flue outlet adapter.

A minimum of 4.0 in. WC and a maximum of 10.5 in. WC upstream gas pressure is required under load and no-load conditions for natural gas. A minimum of 4.0 in. WC and a maximum of 13.0 in. WC is required for propane gas. The gas pressure regulator(s) supplied on the heater is for low-pressure service. If upstream pressure exceeds these values, an intermediate gas pressure regulator, of the lockup type, must be installed.

When connecting additional gas utilization equipment to the gas piping system, the existing piping must be checked to determine if it has adequate capacity for the combined load.

Model No.	Maximum Equivalent Pipe Length (ft. / m)					
	2-1/2 NPT		3 NPT		4 NPT	
	Nat	Pro	Nat	Pro	Nat	Pro
3005	40 (12.2)	85 (25.9)	120 (36.6)	250 (76.2)	500 (152.4)	--
3505	30 (9.1)	45 (13.7)	80 (24.4)	200 (61.0)	400 (121.9)	600 (182.9)
4005	25 (7.6)	35 (10.7)	65 (19.8)	160 (48.8)	300 (91.4)	400 (121.9)

* Natural Gas – 1,000 BTU/ft³, 0.60 specific gravity at 0.5 in. WC pressure drop
 * Propane Gas – 2,500 BTU/ft³, 1.53 specific gravity at 0.6 in. WC pressure drop
 Each 90° elbow is counted as 10 ft equivalent length.

Table K. Gas Supply Line Sizing

Electrical Power Connections

Installations must follow these codes:

- National Electrical Code and any other national, state, provincial or local codes or regulations having jurisdiction.
- Safety wiring must be NEC Class 1.
- Heater must be electrically grounded as required by the NEC.
- In Canada, CSA C22. 1 C.E.C. Part 1.

The XTherm heaters can be wired for either 208 VAC or 240 VAC, single-phase 60 Hz power supply as a factory preset. Consult the wiring diagram shipped with the heater. Before starting the heater, check to ensure proper voltage to the heater and pump.

Pumps must use a separate power supply and run the power through a field-supplied contractor. Use appropriately-sized wire as defined by NEC, CSA and/or local codes. All primary wiring should be 125% of minimum rating.

If any of the original wire as supplied with the heater must be replaced, it must be replaced with 105°C wire or its equivalent.

All high-voltage wiring connections to the XTherm heater are made inside the rear wiring box. See **Figure 27**. There are two factory-supplied pump interlock relays in the rear wiring box to provide an enable signal via dry contact (5A max) for the Boiler Pump, System Pump and Indirect DHW Pump as required for the system depending on the mode selected within the VERSA IC® control system.

Model	Boiler Amp Draw	Boiler Pump Amp Draw	Injection Pump Amp Draw
H7-3005	15	4.45	8.2
H7-3505	17	8.2	8.2
H7-4005	20	16	8.2

Amp draw at 240V/1PH

Model	Heater Amp Draw	Heater Pump Amp Draw		Injection Pump Amp Draw
		Soft	Med/Hard	
WH7-3005	15	4.45	4.45	8.2
WH7-3505	17	8.2	16	8.2
WH7-4005	20	16	16	8.2

Amp draw at 240V/1PH

Table L. Expected Amp Draw

Field-Connected Controllers

NOTE: Minimum 18 AWG, 105°C, stranded wire must be used for all low voltage (less than 30 volts) external connections to the unit. Solid conductors should not be used because they can cause excessive tension on contact points. Install conduit as appropriate. All high voltage wires must be the same size (105°C, stranded wire) as the ones on the unit or larger.

NOTE: Field-supplied isolation relays should be installed when field-connected controllers are mounted more than 50 equivalent feet (15 m) (18 AWG) from heater. See wiring diagrams.

It is strongly recommended that all individually-powered control modules and the heater should be supplied from the same power source.

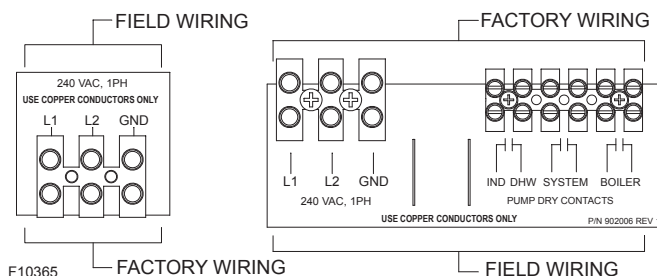


Figure 25. Wiring Electrical Connections

Check the Power Source

⚠ WARNING: Using a multi-meter, check the following voltages at the circuit breaker panel prior to connecting any equipment. Make sure proper polarity is followed and house ground is proven.

- AC = 108 VAC Minimum, 132 VAC Maximum
- BC = 108 VAC Minimum, 132 VAC Maximum
- AB = 216 VAC Minimum, 264 VAC Maximum

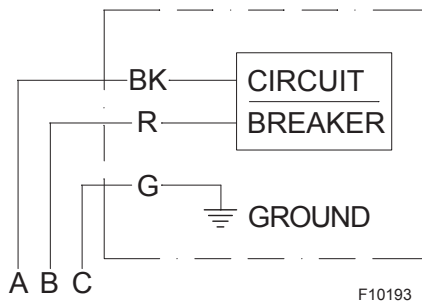


Figure 26. Wiring Connections

Making the Electrical Connections

NOTE: A grounding electrode conductor shall be used to connect the equipment grounding conductors, the equipment enclosures, and the grounded service conductor to the grounding electrode.

Refer to **Figure 25** through **Figure 27**.

1. Verify that circuit breaker is properly sized by referring to heater rating plate. A dedicated circuit breaker should be provided.
2. NOTE: Current draw noted on rating plate does not include pump current.
3. Turn off all power to the heater. Verify that power has been turned off by testing with a multi-meter prior to working with any electrical connections or components.
4. Observe proper wire colors while making electrical connections. Many electronic controls are polarity sensitive. Components damaged by improper electrical installation are not covered by warranty.
5. Provide overload protection and a disconnect means for equipment serviceability as required by local and state code.
6. Install heater controls, thermostats, or building management systems in accordance with the applicable manufacturers' instructions.
7. Conduit should not be used as the earth ground.

Field Wiring Connection

CAUTION: Label all wires prior to disconnection when servicing controls. Wiring errors can cause improper and dangerous operation. Verify proper operation after servicing.

DANGER: SHOCK HAZARD

Make sure electrical power to the heater is disconnected to avoid potential serious injury or damage to components.

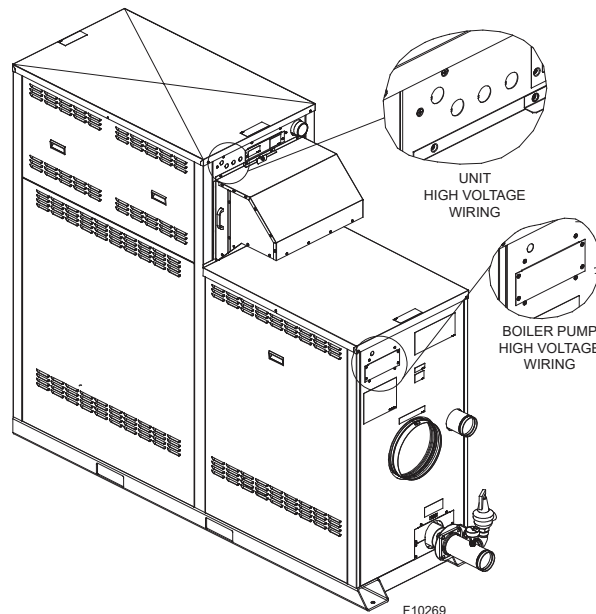


Figure 27. Wiring Locations

Wiring the Enable/Disable

Connect the Enable/Disable (terminals 11, 12) wiring to the field wiring terminals). See **Figure 29**. Alternately, any dry contact closure (including a remote thermostat) across these terminals will enable the XTherm unit to run. Caution should be used to ensure neither of the terminals becomes connected to ground.

Wiring the System Sensor

The System Sensor (S3) is required for all selectable modes unless the units firing rate will be controlled by an external source, such as our TempTracker MOD+ Hybrid sequencer. Proper placement and method of installation are critical for proper operation of the system. See **"Applications and Modes"** on page 19.

1. There is no connection required if using an external sequencer for firing rate control.
2. Where using a System Sensor (S3), connect the sensor wires to the terminals marked SYSTEM SENSOR. See **Figure 29**.
3. Use a minimum of 18 AWG wire for runs up to 150 ft (46 m).
4. Install the system sensor in a drywell (option B-31) within 5 ft (1.5 m) downstream of the de-coupler (hydronic system), OR into the volume of the buffer tank when used (hydronic system), OR into the volume of the water storage tank (domestic hot water system).

Wiring the Outdoor Sensor

1. There is no connection required if an outdoor sensor is not used in this installation.
2. If using an Outdoor Sensor (option B-32), connect the sensor wires to the terminals marked OUTDOOR SENSOR. See **Figure 29**. Caution should be used to ensure neither of these terminals becomes connected to ground.
3. Use a minimum 18 AWG wire for runs of up to 150 ft (46 m).
4. Mount the outdoor sensor on an exterior surface of the building, preferably on the north side in an area that will not be affected by direct sunlight and that will be exposed to varying weather conditions.

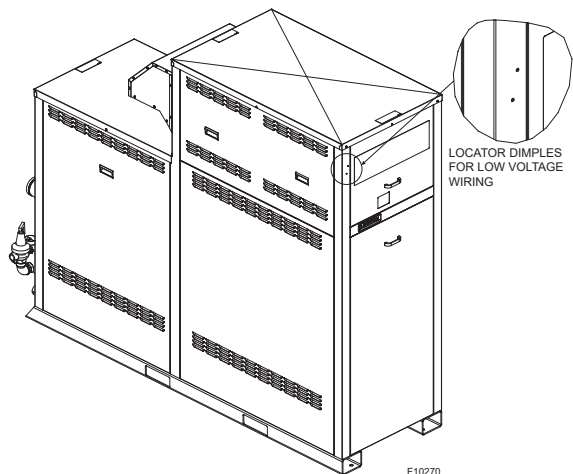


Figure 28. Locator Dimples for Low Voltage Wiring

Wiring the Indirect Sensor

CAUTION: Sensor and control wiring must NOT be run in conduit or chases with line voltage.

NOTE: Alternately, a thermostat contact closure can be used in lieu of the sensor for indirect operation. Connect the thermostat to the terminals marked INDIRECT DHW OVERRIDE.

1. An indirect sensor connection is not required if an indirect water heater is not used in the installation.
2. When the Indirect DHW call for heat is active, the PIM communicates this to the VERSA. The VERSA calculates the optimal operation and sends the firing rate and pump output requests to the PIM so it can activate the Indirect DHW pump and Boiler pump as needed. If an optional Indirect DHW sensor is connected, the PIM will pass this signal to the VERSA. This allows the VERSA to optimize the Indirect DHW demand to maintain the Indirect DHW setpoint. The Indirect DHW thermostat switch closure is still required when using the Indirect DHW sensor. If a VERSA is not present the PIM shall activate the Indirect DHW pump whenever the Indirect DHW call is active. The Boiler pump will also be activated based on the Indirect DHW piping configuration setting. Consult the VERSA IC® manual (241493) for additional configurations.
3. Connect the indirect tank sensor to the terminals marked INDIRECT DHW SENSOR (see wiring diagram). Caution should be used to ensure neither of these terminals becomes connected to ground. When using an indirect DHW sensor to control tank temperature, contact closure is required across the indirect override connections for proper operation. To ensure proper operation during “limp along” mode set PIM operator dial to be equal to DHW Target temperature to prevent an over temperature condition from occurring. See VERSA IC® manual (241493).

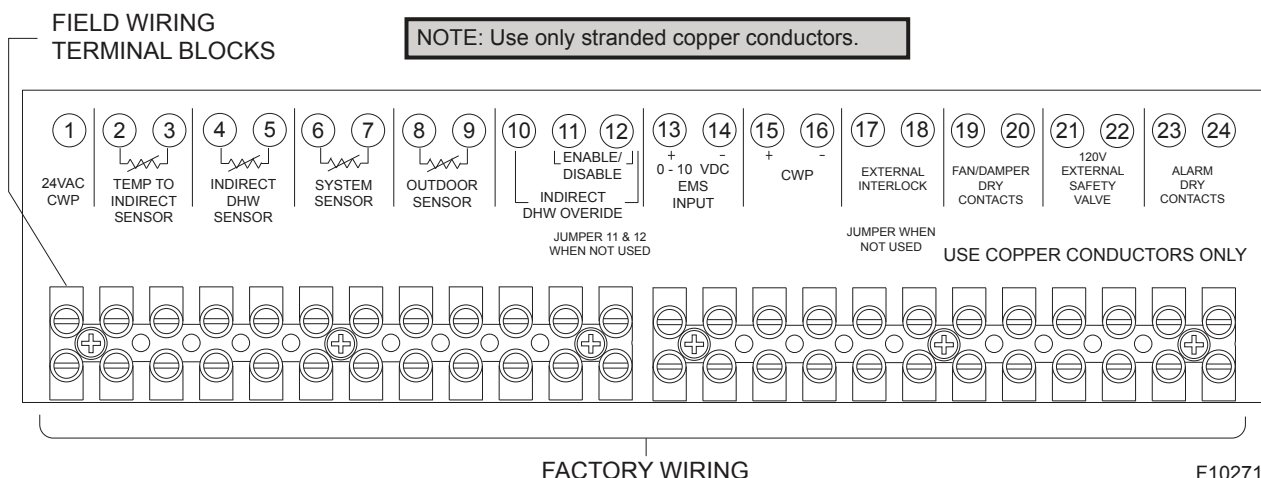


Figure 29. Low Voltage Field Wiring

Wiring the Optional 0–10 Volt Building Control Signal

1. A signal from an energy management system may be connected to the XTherm boiler. This signal should be a 0-10 volt positive DC signal, and an energy management system can be used to control either the setpoint temperature of a single XTherm or a cascade of multiple boilers, or the firing rate of a single XTherm boiler (see VERSA IC® manual 241493 for specifics on Cascade Systems operation).
2. To enable this remote control function, set DIP switch 5 to the UP position on the PIM. DIP switch 5 Toggles between an EMS (UP) signal or a demand signal from the VERSA (DOWN). DIP switch 2 on the PIM toggles between a Direct Drive (UP) input and a Target Temperature (DOWN) setpoint.
3. For a 4-20mA application, refer to the VERSA IC® manual (241493).
4. Connect an Energy Management system or other auxiliary control signal to the terminals marked 0-10V (+/-) on the field wiring terminals. See **Figure 29**. Caution should be used to ensure that the +0-10V connection does not create a short to ground.

Wiring the Cascade System Communication Bus

Refer to VERSA IC® manual (241493) for details on Cascade wiring and communication setup.

Cascade System Pump and Sensor Wiring

NOTE: The dry contacts closure can come from a room thermostat or a remote relay. No power of any kind should be applied to either of these terminals.

1. On the boiler designated as the Master, connect the system pump enable wiring to the terminal block at the rear of the unit. The connections are dry contacts rated for pilot duty only (5A maximum).
2. Connect the injection pump contactor (field-supplied) coil wires in parallel with the mounted boiler primary pump contactor coil located at the rear of the unit. Refer to wiring diagram provided with unit.
3. Connect the system supply sensor to terminals 6 and 7 on the field wiring strip located on the Master boiler. See **Figure 29**.
4. Connect the Outdoor sensor (if used) to terminals 8 and 9 on the field wiring strip located on the Master boiler. See **Figure 29**.
5. Connect the Enable/Disable wiring to terminals 11 and 12 on the field wiring strip located on the Master boiler. See **Figure 29**. This connection must be provided through dry contacts closure.

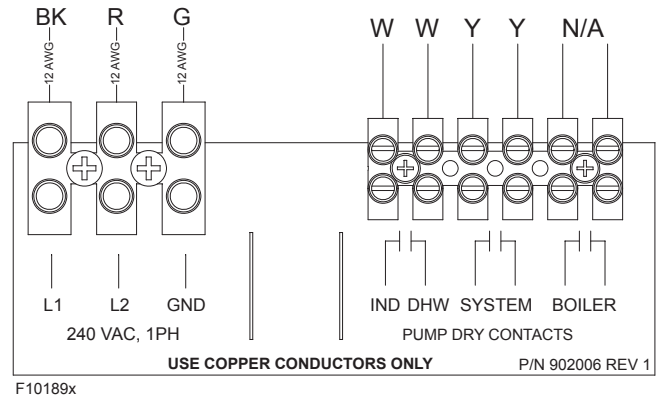


Figure 30. XTherm Cascade Master Pumps

Cascade Follower Pump and Sensor Wiring

1. Once the primary boiler has been identified, additional boilers will be designated as follower boilers. Ensure DIP switch 2 on each follower VERSA is set to the OFF/Down position.
2. For each follower boiler, connect injection pump contactor (field-supplied) coil wires in parallel with the mounted boiler primary pump contactor coil located at the rear of the unit. Refer to wiring diagram provided with unit.
3. For Cascade configurations System pump (all models) and DHW pump (H models only), Follower outputs must be connected in parallel respectively in order to support operation during “Limp Along” mode. For detailed wiring instructions see VERSA IC® manual (241493).

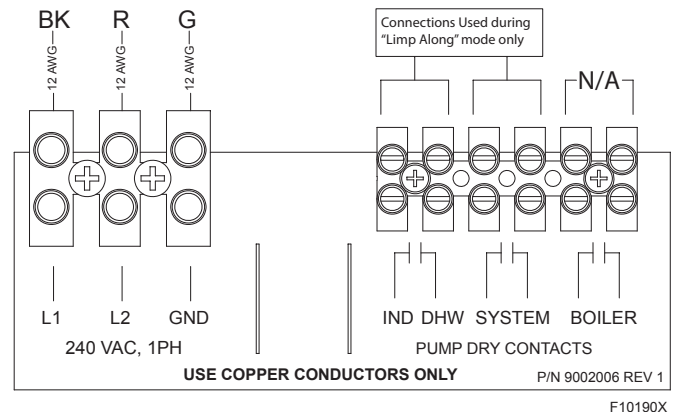


Figure 31. VERSA Follower

Modbus BMS Communication

The VERSA IC® control is equipped as standard with a communications port for connectivity to building automation via Modbus protocol. Refer to the VERSA IC® manual (241493) for further information.

Alarm Connection

An alarm annunciator or light may be connected to the alarm contacts on the field wiring terminal strip. The Alarm Contacts are 3A rated dry contacts on a normally-open

relay that close during fault or lockout conditions, and the maximum voltage across the contacts is 30 VAC or 30 VDC. See the Field Wiring as shown in **Figure 29**.

In a cascade system, in the event of an alarm condition at one or more units, all alarm contacts within the cascade will be energized indicating a fault condition. This feature can be enabled or disabled, refer to VERSA IC® manual (241493) for further details on "Cascade Alarm".

Venting - General

CAUTION: Proper installation of flue venting is critical for the safe and efficient operation of the heater.

Appliance Categories

NOTE: For additional information on appliance categorization, see appropriate ANSI Z21 Standard and the NFGC (U.S.), or B149.1 (Canada), or applicable provisions of local building codes.

Heaters are divided into four categories based on the pressure produced in the exhaust and the likelihood of condensate production in the vent.

Category I – A heater which operates with a non-positive vent static pressure and with a vent gas temperature that avoids excessive condensate production in the vent.

Category II – A heater which operates with a non-positive vent static pressure and with a vent gas temperature that may cause excessive condensate production in the vent.

Category III – A heater which operates with a positive vent pressure and with a vent gas temperature that avoids excessive condensate production in the vent.

Category IV – A heater which operates with a positive vent pressure and with a vent gas temperature that may cause excessive condensate production in the vent.

See **Table M** for appliance category requirements.

The XTherm (3005-4005) are supplied with an integral Fas-N-Seal vent connector. To connect the flue to any other brand of cat IV flue, the installer must use a specific vent starter adapter (supplied by the vent manufacturer).

Use only the special gas vent pipes listed for use with Category IV gas burning heaters, such as the AL29-4C stainless steel vents offered by Heat Fab Inc. (800-772-0739), Protech System, Inc. (800-766-3473), Z-Flex (800-654-5600) or American Metal Products (800-423-4270). Pipe joints must be positively sealed. Follow the vent manufacturer's installation instructions carefully.

Extractors, Draft Inducers, and Motorized Flue Dampers

When extractors or inducers are used in the venting system, they must be interlocked with each connected appliance, to ensure proper operation. If individual motorized dampers are used, they must be interlocked to their respective appliance. See "**Field Wiring Connection**" on page 25 for proper wiring instructions, using Fan/Damper dry contacts and external interlock.

Support of Vent Stack

The weight of the vent stack or chimney must not rest on the heater vent connection. Support must be provided in compliance with applicable codes. The vent should also be installed to maintain proper clearances from combustible materials. Use insulated vent pipe spacers where the vent passes through combustible roofs and walls.

NOTE: When an existing Category I appliance is removed or replaced, the original venting system may no longer be correctly sized to properly vent the attached appliances. Instructions shall also indicate effects of an improperly sized venting system (formation of condensate, leakage, spillage, etc.).

Combustion Air Supply	Exhaust Configuration	Heater Venting Category	Certified Materials	Combustion Air Inlet Material
From Inside Building (Non-Direct Venting)	Vertical Venting	II and IV	Stainless Steel UL-listed, Centrotherm Polypropylene using D-33 adapter (P/Ns 015761 and 015762)	
	Horizontal Through-the-Wall Venting			
From Outside Building (Direct Venting)	Vertical Venting			Galvanized Steel
	Horizontal Through-the-Wall Venting			PVC ABS CPVC

Table M. Venting Category Requirements

⚠ WARNING: Use only the materials, vent systems and terminations listed in Table N. DO NOT mix vent systems of different types or manufacturers, unless listed in this manual. Failure to comply could result in severe personal injury, death, or substantial property damage.

NOTE: The XTherm heater is supplied with a vent connector that MAY require a specific vent starter adapter to mate to certified Cat IV vent materials. See Table N. This vent starter adapter is supplied by the vent manufacturer to adapt to the various venting systems.

NOTE: Installation of a vent system shall adhere to the vent manufacturer's installation instructions supplied with the vent system. Please contact the vent manufacturer with any questions.

⚠ CAUTION: Condensate drains for the vent piping are required for installations of the XTherm. Follow vent manufacturer instructions for installation and location of condensate drains in the vent. Condensate drain must be primed with water to prevent gas flue leak and must be routed to an appropriate container for treatment before disposal, as required by local codes.

⚠ WARNING: Contact the manufacturer of the vent material if there is any question about the appliance categorization and suitability of a vent material for application on a Category IV vent system. Using improper venting materials can result in personal injury, death or property damage.

NOTE: Ensure that clearances are maintained. See Table D and Table E.

NOTE: The following vent manufacturers are certified for us on these heaters. DO NOT use any manufacturer of vent systems not listed here. M&G Duravent (Fas-N-Seal Vent), Heat Fab (Saf-T-Vent EZ Seal) and Z Flex (Z-Vent).

Model No.	M&G Duravent – “Fas-N-Seal”			
	Air Intake Terminal	Vent Terminal in. (mm)	Vent Pipe in. (mm)	Vent Adapter
3005	810003447	*D-15 10" (254 mm) (006650)	10" (254 mm) Fas-N-Seal 6" to 36" (152 to 914 mm)	None Required
3505				
4005	810003488	*D-15 12" (305 mm) (007001)	12" Fas-N-Seal (305 mm) 6" to 36" (152 to 914 mm)	

Model No.	Heat Fab – Saf-T Vent EZ Seal			
	Air Intake Terminal	Vent Terminal in. (mm)	Vent Pipe in. (mm)	Vent Adapter
3005	91014TERM	91090TEE	10" (254 mm) Saf-T-Vent 6" to 48" (152 to 1219 mm) Lengths	91001MAD
3505				
4005	91214TERM	*D-15 12" (305 mm) (007001)	12" Saf-T-Vent 6" to 36" (152 to 914 mm) lengths	

Model No.	Z Flex – "Z Vent"			
	Air Intake Terminal	Vent Terminal in. (mm)	Vent Pipe in. (mm)	Vent Adapter
3005	2SVEE1090	2SVSRTX10	10" (254 mm) Z Vent 6" to 36" (152 to 914 mm) Lengths	2SVDSA10
3505				
4005	2SVEE1290	2SVSRTX12	12" Z Vent 6" to 36" (152 to 914 mm) Lengths	

*D-15 Vent Terminal MUST be ordered from Raypak

Table N. Certified Terminations and Adapters - Category IV

NOTE: Polypro is also acceptable, with the D-33 adapter.

Vent Terminal Location

NOTE: During winter months check the vent cap and make sure no blockage occurs from build-up of snow or ice.

NOTE: D15 Vent Termination Caps are CSA-certified with unit up to 40 mph maximum windspeed.

1. Condensate can freeze on the vent cap. Frozen condensate on the vent cap can result in a blocked flue condition.
2. Give special attention to the location of the vent termination to avoid possibility of property damage or personal injury.
3. Gases may form a white vapor plume in winter. The plume could obstruct a window view if the termination is installed near windows.
4. Prevailing winds, in combination with below-freezing temperatures, can cause freezing of condensate and water/ice build-up on buildings, plants or roofs.
5. The bottom of the vent terminal and the air intake shall be located at least 12 in (305 mm) above grade, including normal snow line.
6. Un-insulated single-wall Category IV metal vent pipe shall not be used outdoors in cold climates for venting gas-fired equipment without insulation.
7. Through-the-wall vents for Category IV appliances shall not terminate over public walkways or over an area where condensate or vapor could create a nuisance or hazard or could be detrimental to the operation of regulators, relief valves, or other equipment.
8. Locate and guard vent termination to prevent accidental contact by people or pets.
9. DO NOT terminate vent in window well, stairwell, alcove, courtyard or other recessed area.
10. DO NOT terminate above any door, window, or gravity air intake. Condensate can freeze, causing ice formations.
11. Locate or guard vent to prevent condensate from damaging exterior finishes. Use a rust-resistant sheet metal backing plate against brick or masonry surfaces.
12. DO NOT extend exposed vent pipe outside of building beyond the minimum distance required for the vent termination. Condensate could freeze and block vent pipe.

U.S. Installations

⚠ WARNING: The Commonwealth of Massachusetts requires that sidewall-vented heaters, installed in every dwelling, building or structure used in whole or in part for residential purposes, be installed using special provisions as outlined on page 59 of this manual.

Refer to the latest edition of the National Fuel Gas Code.

Vent termination requirements are as follows:

1. Vent must terminate at least 4 ft (1.2 m) below, 4 ft (1.2 m) horizontally from or 1 ft (305 mm) above any door, window or gravity air inlet to the building.
2. The vent must not be less than 7 ft (2.1 m) above grade when located adjacent to public walkways.

The vent for this appliance shall not terminate:

- a. over public walkways due to slip hazard from frozen condensate; or
 - b. near soffit vents or crawl space vents or other areas where condensate or vapor could create a nuisance or hazard or cause property damage; or
 - c. where condensate vapor could cause damage or could be detrimental to the operation of regulators, relief valves, or other equipment.
3. Terminate vent at least 3 ft (.9 m) above any forced air inlet located within 10 ft (3 m).
 4. Vent must terminate at least 4 ft (1.2 m) horizontally, and in no case above or below unless 4 ft (1.2 m) horizontal distance is maintained, from electric meters, gas meters, regulators, and relief equipment.
 5. Terminate vent at least 6 ft (1.8 m) away from adjacent walls.
 6. DO NOT terminate vent closer than 5 ft (1.5 m) below roof overhang.
 7. The vent terminal requires a 12 in (305 mm) vent terminal clearance from the wall.
 8. Terminate vent at least 1 ft (305 mm) above grade, including normal snow line.
 9. Multiple direct-vent installations require a 4 ft (1.2 m) clearance between the ends of vent caps located on the same horizontal plane.

Canadian Installations

Refer to latest edition of the B149.1 Installation Code.

A vent shall not terminate:

1. Directly above a paved sidewalk or driveway which is located between two single-family dwellings and serves both dwellings.
2. Less than 7 ft (2.1 m) above a paved sidewalk or paved driveway located on public property.
3. Within 6 ft (1.8 m) of a mechanical air supply inlet to any building.
4. Above a meter/regulator assembly within 3 ft (.9 m) horizontally of the vertical centerline of the regulator.
5. Within 6 ft (1.8 m) of any gas service regulator vent outlet.
6. Less than 1 ft (305 mm) above grade level.
7. Within 3 ft (.9 m) of a window or door which can be opened in any building, any non-mechanical air supply inlet to any building or the combustion air inlet of any other appliance.

- Underneath a veranda, porch or deck, unless the veranda, porch or deck is fully open on a minimum of two sides beneath the floor, and the distance between the top of the vent termination and the underside of the veranda, porch or deck is greater than 1 ft (305 mm).

⚠ WARNING: Do not insulate any PVC, CPVC or Polypropylene venting or air intake material.

The vent and intake pipe materials are certified to following standards (where ever applicable):

PVC - ANSI/ASTM D1785 (intake air only)

CPVC ASTM-D2846 (intake air only)

Polypropylene - ULC-S636

Steel-certified for Cat IV or direct vent appliance venting.

Note: Please refer to Table N for model specific details.

Venting Installation Tips

⚠ WARNING: Examine the venting system at least once a year. Check all joints and vent pipe connections for tightness, corrosion or deterioration.

Support piping:

- horizontal runs—at least every 5 ft (1.5 m)
- vertical runs—use braces
- under or near elbows

Venting Configurations

For heaters connected to gas vents or chimneys, vent installations shall be in accordance with the NFGC (U.S.), or B149.1 (Canada), or applicable provisions of local building codes.

Vertical Venting (Category IV)

⚠ CAUTION: This venting system requires the installation of a condensate drain in the vent piping per the vent manufacturer's instructions. Failure to install a condensate drain in the venting system will void all warranties on this heater.

Installation

The maximum and minimum venting length for this Category IV appliance shall be determined per the NFGC (U.S.) or B149.1 (Canada).

The diameter of vent flue pipe should be sized according to the NFGC (U.S.) and Appendix B of B149.1 (Canada). The minimum flue pipe diameter for conventional venting using Category IV, UL-listed vent is: 10 in (254 mm) for Models 3005; and 12 in (305mm) for Models 3505-4005.

The connection from the appliance vent to the stack must be as direct as possible and shall be the same diameter as the vent outlet. The horizontal breaching of a vent must have an upward slope of not less than 1/4 inch per linear foot (21 mm per m) from the heater to the vent terminal. The horizontal portions of the vent shall also be supported for the design and weight of the material employed to maintain clearances and to prevent physical damage or separation of joints.

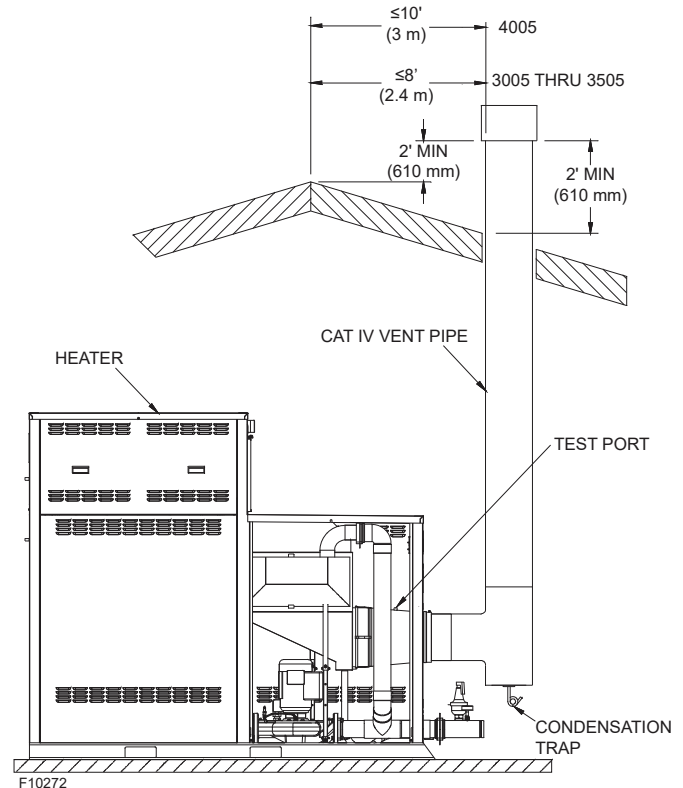


Figure 32. Vertical Venting

Model No.	Certified Vent Material*	Vent Size (in) Ø	Total Vent Length eq. ft (m)**		Combustion Air Intake Pipe Material	Air Inlet Max. Length** eq. ft (m)	
			Min. ft (m)	Max. ft (m)		10" Ø	12" Ø
3005	Stainless Steel Category IV (UL-listed), Centrotherm Polypropylene ¹	10	5 (1.5)	100 (30.5)	Galvanized Steel, PVC, ABS, CPVC	100 (30.5)	
3505				70 (20.3)			
4005		12		100 (30.5)			100 (30.5)

*Special vent materials are still required.

**Subtract 10 ft (3 m) per elbow. Max. 4 elbows.

¹Requires D-33 Poly vent adapter/limit kit.

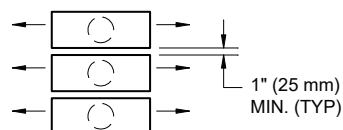
Table O. Category IV Vertical or Horizontal Venting

Termination

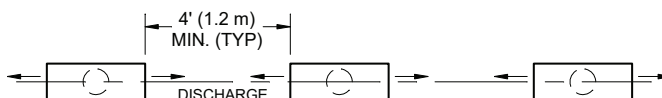
CAUTION: A listed vent cap terminal suitable for connection to the Cat IV vent materials, adequately sized, must be used to evacuate the flue products from the building.

The vent terminal should be vertical and should terminate outside the building at least 2 ft (610 mm) above the highest point of the roof that is within 8 ft (2.4 m) for models 3005 through 3505 and within 10 ft (3 m) for model 4005. The vent cap should have a minimum clearance of 4 ft (1.2 m) horizontally from and in no case above or below (unless a 4 ft (1.2 m) horizontal distance is maintained) electric meters, gas meters, regulators and relief equipment.

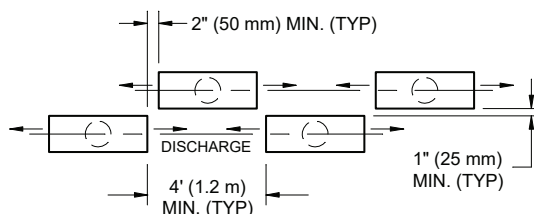
The distance of the vent terminal from adjacent public walkways, adjacent buildings, open windows and building openings must be consistent with the NFGC (U.S.) or B149.1(Canada). Gas vents supported only by flashing and extended above the roof more than 5 ft (1.5 m) should be securely guyed or braced to withstand snow and wind loads.



VENT CAPS STACKED VERTICALLY
FLUE GASES MOVING IN PARALLEL



VENT CAPS ALL AT SAME ELEVATION
FLUE GASES MOVING TOWARD EACH OTHER



VENT CAPS AT STAGGERED ELEVATIONS
FLUE GASES MOVING TOWARD EACH OTHER

F10704

Figure 33. Sidewall Vent Cap Configurations

Common Venting

The NFGC does not address sizing guidelines for the common venting of multiple Category IV heaters. This is covered in the NFGC under “Engineered Vent Systems”. Boiler discharge vent pressures at vent pressure switch and volumes of flue products at full fire for the calculation of appropriate vent and extractor sizing for common venting is in **Table P**.

Raypak does not support common venting under positive-pressure conditions. Use a variable-speed extractor to draw the stack to negative pressure. See **Figure 34**.

⚠ WARNING: Vent connectors serving any other appliances shall not be connected into any portion of mechanical draft systems operating under a positive pressure. If an XTherm heater is installed to replace an existing heater, the vent system **MUST** be verified to be of the correct size and of Category IV UL-listed vent material construction. If it is **NOT**, it **MUST** be replaced.

NOTE: For extractor sizing, typical CO2 levels are 9.7% for natural gas and 11.2% for propane gas and flue temperature of 350°F (177°C), at 100% firing rate measured at a test port, 12" (305 mm) above the flue collar.

Model No.	Vent Size (in Ø)	Vent Pressure (in. WC)	Volume of Flue Products CFM (cmm)
3005	10	0.3	960 (27)
3505		0.3	1120 (32)
4005	12	0.3	1280 (36)

* NOTE: Data for 100% firing rate.

Table P. Typical Vent Pressure and Volume of Flue Products

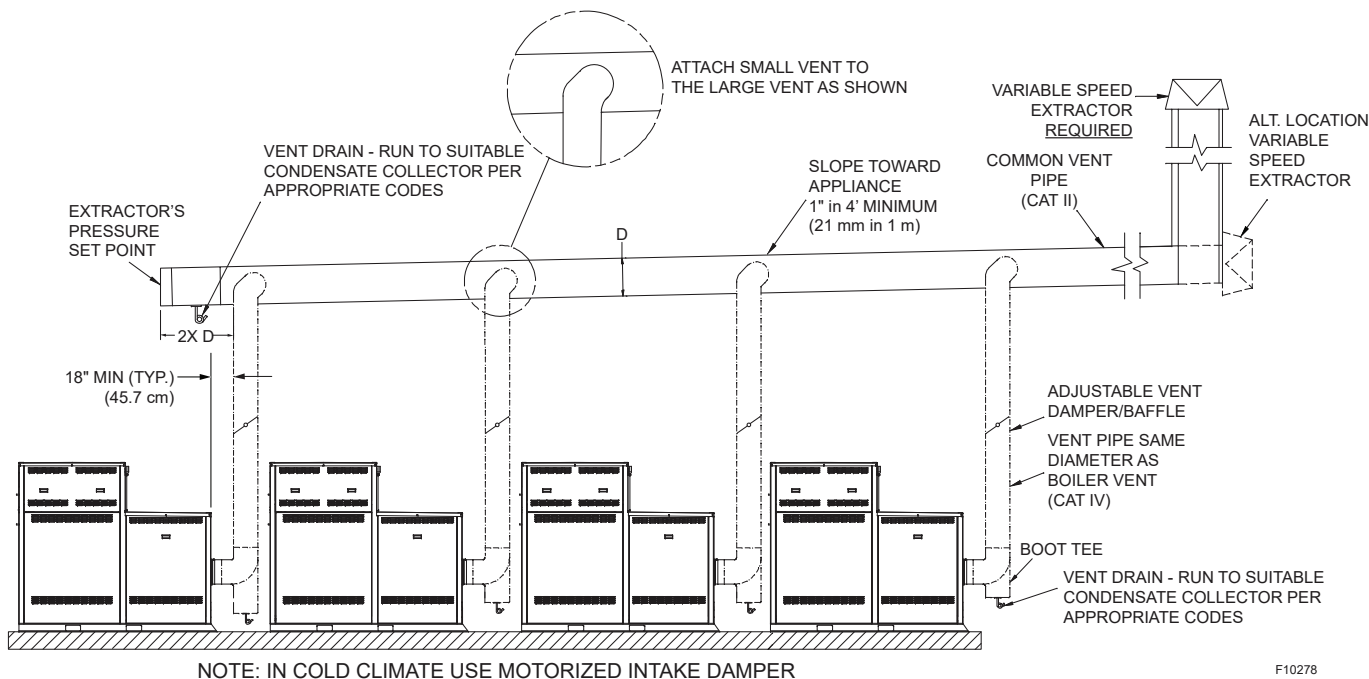


Figure 34. Typical Common Venting

Horizontal Through-the-Wall Direct Venting (Category IV)

Installation

These installations utilize the heater-mounted blower to vent the combustion products to the outdoors. Combustion air is taken from inside the room and the vent is installed horizontally through the wall to the outdoors. Adequate combustion and ventilation air must be supplied to the equipment room in accordance with the NFGC (U.S.) or B149.1 (Canada).

The total length of the horizontal through-the-wall flue system should not exceed the maximum equivalent ft in length. If horizontal run exceeds the maximum equivalent ft, an appropriately-sized variable-speed extractor must be used. Each elbow used is equal to 10 ft (3 m) of straight pipe. This will allow installation in one of the four following arrangements:

- 100 ft (30 m) of straight flue pipe
- 90 ft (27 m) of straight flue pipe and one elbow
- 80 ft (24 m) of straight flue pipe and two elbows
- 70 ft (21 m) of straight pipe and three elbows

The vent cap is not considered in the overall length of the venting system.

The vent must be installed to prevent flue gas leakage. Care must be taken during assembly to ensure that all joints are sealed properly and are airtight. The vent must be installed to prevent the potential accumulation of condensate in the vent pipes. It is required that:

1. The vent must be installed with a condensate drain located in proximity to the heater as directed by the vent manufacturer.
2. The vent must be installed with a slight upward slope of not less than 1/4 inch per foot (21 mm per m) of horizontal run to the vent terminal.
3. The vent must be insulated through the length of the horizontal run.

Termination

CAUTION: This venting system requires the installation of a condensate drain in the vent piping per the vent manufacturer's instructions. Failure to install a condensate drain in the venting system will void all warranties on this heater.

NOTE: While a drain connection is required in the vent of all XTherm installations, the drain can be accomplished in several different ways. The figures in this manual show the drain in a vent tee, however, this can also be accomplished using an inline collector for condensing stacks or an inline vertical or horizontal collector available from several of the listed vent manufacturers.

The direct-vent flue cap **MUST** be mounted on the exterior of the building. The flue cap cannot be installed in a well or below grade. The flue cap must be installed at least 1 ft (305 mm) above ground level and above normal snow levels. The Raypak-approved horizontal, stainless steel direct-vent flue cap must be used (sales order option D-15). The vent cap must be located **NO CLOSER** than 12" (305 mm) off the wall.

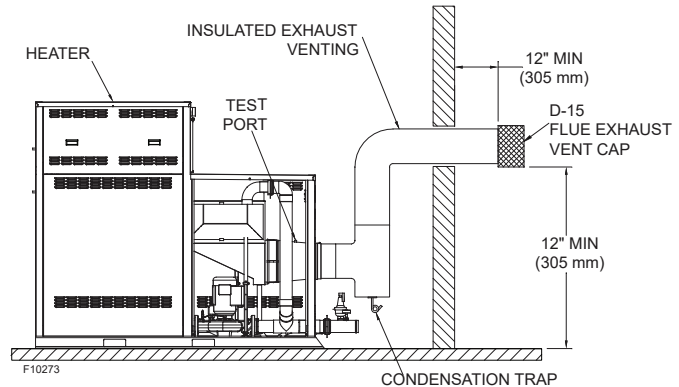


Figure 35. Horizontal Through-the-Wall Venting

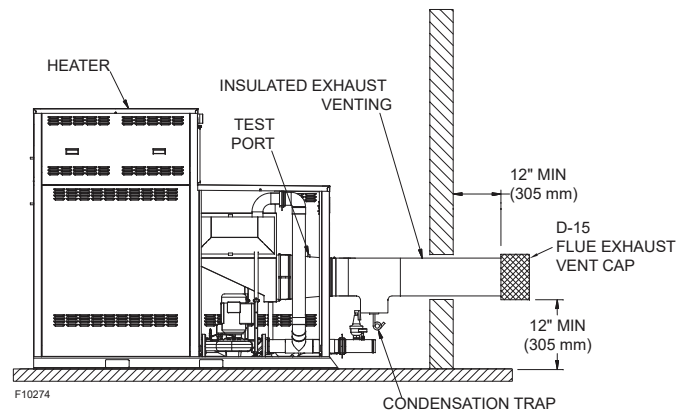


Figure 36. Alt. Horizontal Through-the-Wall Venting

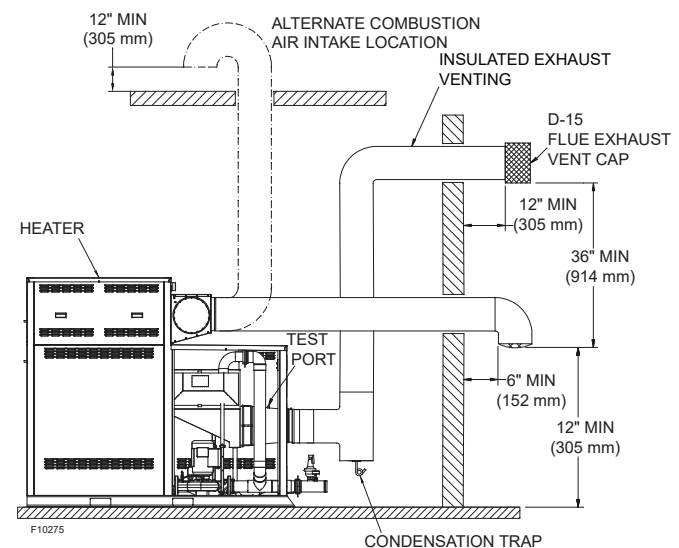


Figure 37. Horizontal Through-the-Wall Direct Venting

Direct Vent—Vertical

Installation

⚠ WARNING: No substitutions of flue pipe or vent cap material are allowed. Such substitutions would jeopardize the safety and health of inhabitants.

These installations utilize the heater-mounted blower to draw combustion air from outdoors and vent combustion products to the outdoors.

The total length of air supply pipe cannot exceed the distances listed. Each elbow used is equal to 10 ft (3 m) of straight pipe. This will allow installation in any arrangement that does not exceed the lengths allowed. See **Table O**.

The vent cap is not considered in the overall length of the venting system.

Care must be taken during assembly that all joints are sealed properly and are airtight.

The vent must be installed to prevent the potential accumulation of condensate in the vent pipes. It is required that:

1. The vent must be installed with a condensate drain located in proximity to the heater as directed by the vent manufacturer.
2. The vent must be installed with a slight upward slope of not more than 1/4 inch per foot (21 mm per m) of horizontal run to the vent terminal.
3. The vent must be insulated through the length of the horizontal run.

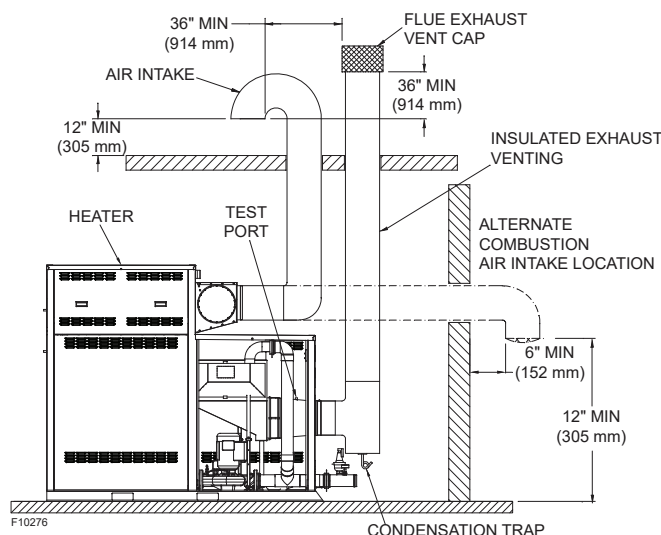


Figure 38. Direct Vent - Vertical

Termination

⚠ CAUTION: This venting system requires the installation of a condensate drain in the vent piping per the vent manufacturer's instructions. Failure to install a condensate drain in the venting system will void all warranties on this heater.

The vent cap **MUST** be mounted on the exterior of the building. The vent cap cannot be installed in a well or below grade. The vent cap must be installed at least 1 ft (305 mm) above ground level and above normal snow levels.

The vent cap **MUST NOT** be installed with any combustion air inlet directly above a vent cap. This vertical spacing would allow the flue products from the vent cap to be pulled into the combustion air intake installed above.

This type of installation can cause non-warrantable problems with components and poor operation of the heater due to the recirculation of flue products. Multiple vent caps installed in the same horizontal plane must have a 4 ft (1.2 m) clearance from the side of one vent cap to the side of the adjacent vent cap(s).

Combustion air supplied from outdoors must be free of particulate and chemical contaminants. To avoid a blocked flue condition, keep the vent cap clear of snow, ice, leaves, debris, etc.

The through-the-wall flue cap must be furnished by the heater manufacturer in accordance with its listing (sales order option D-15).

Condensate Management

⚠ CAUTION: In general, the condensate piping from the appliance must have a downward slope of 1/4" per horizontal foot (21 mm per m). Condensate drain traps must be primed with water to prevent gas flue leaks. Treatment kits should be checked at least once per year. To ensure the pH of the effluent is 5.0 or higher, the media should be replenished as necessary. When replacing the media, they should be no smaller than 3/4" to avoid blockage in the condensate piping. Figure 39 is a visual guide only. Follow the manufacturer's instructions for the installation of the Treatment kit and condensate drains.

⚠ WARNING: No substitutions of flue pipe or vent cap material are allowed. Such substitutions would jeopardize the safety and health of inhabitants.

The condensate must be drained properly to protect the appliance and drainage system. The condensate from the boiler is acidic. Its pH is typically between 3.2 and 4.5. Raypak recommends treating the condensate with a Condensate Treatment kit (Sales order option Z-12). The Treatment kit is connected to the drain system and contains treatment media to raise the pH level of the condensate. The kit may be added to avoid long-term damage to the drainage system and to meet local code

requirements. The pH of the effluent entering a sanitary drain must be 5.0 or higher.

Vent pipe condensate drains are also required for installation of the XTherm. Follow vent manufacturer instructions for location of condensate drains in the vent. The vent condensate should also be routed through a treatment kit, as required by local code.

The treatment kit must be sized to the amount of condensate generated by the appliance and the vent.

The volume of condensate produced will vary based on inlet temp, firing rate, air temp and other factors. The maximum production rate is approximately 1 GPH per 100,000 BTUH of rated input: a 3005 may produce up to 30 GPH, a 4005 may produce up to 40 GPH. Design the condensate handling piping accordingly.

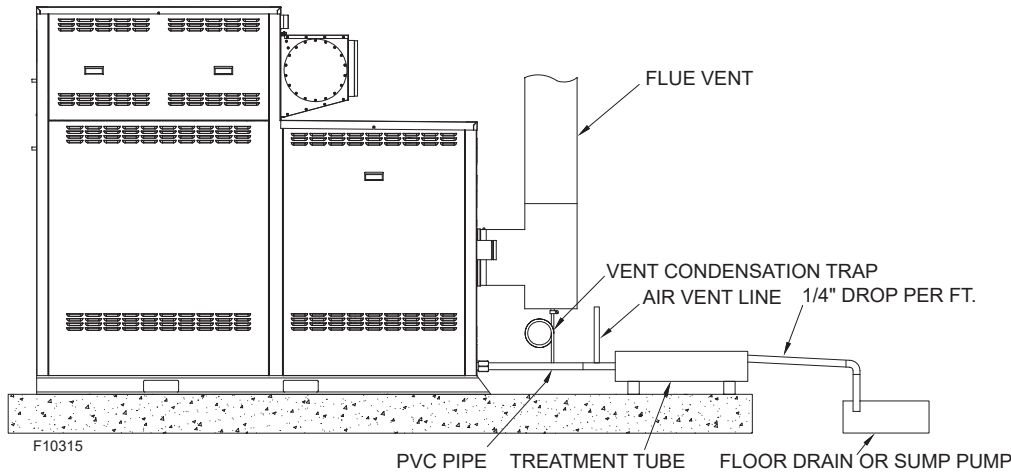


Figure 39. Visual Guide for Condensate Piping

Outdoor Installation

NOTE: The vent cap and air intake hood must be furnished by the heater manufacturer in accordance with its listing (sales order option D-11).

CAUTION: Use of double-wall vent pipe is recommended to minimize the risk of personal injury.

NOTE: Condensate can freeze on the vent cap. Frozen condensate on the vent cap can result in a blocked flue condition.

Units must not be installed where the condensate can freeze. Units installed outdoors must be vented with listed vent material per the following instructions and installed with the optional factory-supplied outdoor vent kit. A special vent cap and air intake hood are provided in accordance with CSA requirements. These must be installed directly on the vent pipe. See **Figure 40**.

Care must be taken when locating the heater outdoors, because the flue gases discharged from the vent cap can condense as they leave the cap. Improper location can result in damage to adjacent structures or building finish. For maximum efficiency and safety, the following precautions must be observed:

1. Outdoor models must be installed outdoors and must use the outdoor vent cap and air intake hood available from the manufacturer (sales order option D-11).

2. Periodically check venting system. The heater's venting areas must never be obstructed in any way and minimum clearances must be observed to prevent restriction of combustion and ventilation air. Keep area clear and free of combustible and flammable materials.
3. Do not locate adjacent to any window, door, walkway, or gravity air intake. The vent must be located a minimum of 4 ft (1.2 m) horizontally from such areas.
4. Install above grade level and above normal snow levels.
5. Vent terminal must be at least 3 ft (.9 m) above any forced air inlet located within 10 ft (3 m).
6. Adjacent brick or masonry surfaces must be protected with a rust-resistant sheet metal plate.

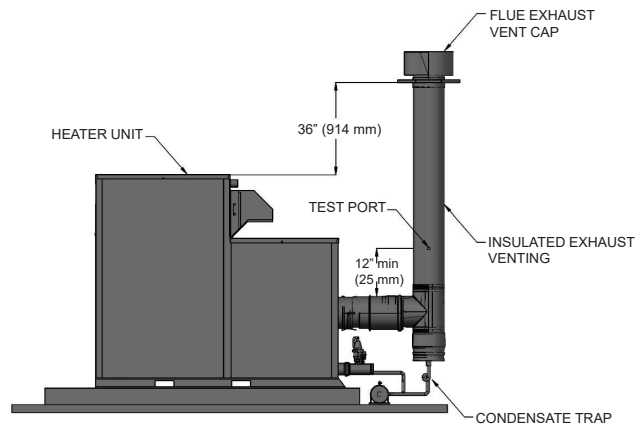


Figure 40. Outdoor Installation

Freeze Protection

To enable freeze protection, DIP switch position 7 (on the PIM) must be turned on (UP position). This is the default position.

If the water temperature drops below 45°F (7°C) on the Outlet or Inlet sensors, the Boiler pump is enabled. The pump is turned off when both the Inlet and Outlet temperatures rise above 50°F (10°C).

If either the Outlet or Inlet temperature drops below 38°F (3°C), the VERSA starts the burner at the minimum firing rate. The burner cycle will terminate when both the Inlet and Outlet temperatures rise above 42°F (6°C).

5. CONTROLS

⚠ WARNING: Installation, adjustment and service of heater controls, including timing of various operating functions, must be performed by a qualified installer, service agency or the gas supplier. Failure to do so may result in control damage, heater malfunction, property damage, personal injury, or death.

⚠ WARNING: Turn off the power to the heater before installation, adjustment or service of any heater controls. Failure to do so may result in board damage, heater malfunction, property damage, personal injury, or death.

⚠ CAUTION: This appliance has provisions to be connected to more than one supply source. To reduce the risk of electric shock, disconnect all such connections before servicing.

⚠ CAUTION: Risk of electric shock: More than one disconnect switch may be required to de-energize the equipment before servicing.

Ignition Control Functions

NOTE: Ignition modules are common for all model sizes. However, model-specific operating parameters are defined by their respective ID cards.

When there is a call for heat, and all safeties are closed, then the combustion air blower starts to purge air from the combustion chamber. After the pre-purge, the igniter is energized. The standard ignition module will lock-out after failing to light 3 times during a call for heat. To reset the lock-out, press and release the RESET button located on the user interface. The control will automatically reset after 1 hour. When in lock-out the control will run the blower through a post-purge cycle.

The single-try ignition module (part of the CSD-1 option) will attempt to light only one time before lock-out occurs. To reset the lock-out, press and release the RESET button located on the user interface.

Turning off the power to the heater WILL NOT reset the single-try ignition module.

High Limit—Manual-Reset

This heater is equipped with a fixed-setting manual-reset high limit temperature device as standard. It may also have an additional optional adjustable manual-reset high limit temperature device.

The optional manual-reset high limit is located inside the cabinet on the upper left corner post. Access the limit by hinging the control box open to view and make adjustments.

The fixed-setting manual-reset high limit is built into the PIM, and utilizes a dual element sensor located on the outlet.

H	235°F (112°C)
WH	180°F (82°C)
P	150°F (66°C)

To reset a high limit lock-out, press and release the RESET button located on the user interface.

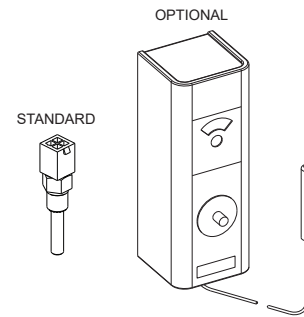


Figure 41. High Limit (Manual-Reset)

High Limit—Auto-Reset (Optional)

This heater may be equipped with an optional adjustable auto-reset high limit temperature device.

The optional adjustable auto-reset high limit is located inside the cabinet on the upper left corner post. Access the limit by hinging the control box open to view and make adjustments. Adjust the setting to approx. 20°F (11°C) above desired outlet temperature.

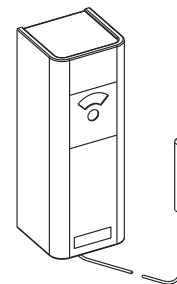


Figure 42. Adjustable High Limit (Auto-Reset)

Flow Switch

This standard, dual-purpose control, mounted and wired in series with the main gas valve, shuts off heater in case of pump failure or low water flow.

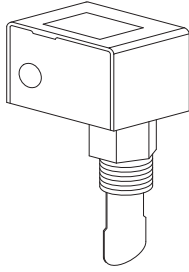


Figure 43. Flow Switch

Low Water Cut-Off (Optional)

The optional low water cut-off automatically shuts down the burner whenever water level drops below the level of the sensing probe. A 5-second time delay prevents premature lockout due to temporary conditions such as power fluctuations or air pockets.

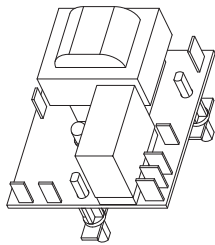


Figure 44. Low Water Cut-Off

High and Low Gas Pressure Switches (Optional)

The optional low gas pressure switch mounts upstream of the gas valve (on the inlet flange to the gas valve) and is accessible through the removable access panels on the side or front of the heater to reset the gas pressure switch, as necessary. It is used to ensure that sufficient gas pressure is present for proper valve/regulator performance. The low gas pressure switch automatically shuts down the heater if gas supply drops below the factory setting of 3.0 in. WC for natural gas or propane gas.

The high gas pressure switch is standard, and is mounted downstream of the gas valve. If the gas pressure regulator in the valve fails, the high gas pressure switch automatically shuts down the burner.

Operation of either the High or Low Gas Pressure Switch will turn on an LED inside the switch housing. Push the top of the plastic switch housing to reset a tripped pressure switch. See **Figure 45**. The LED will go out when the switch is reset.

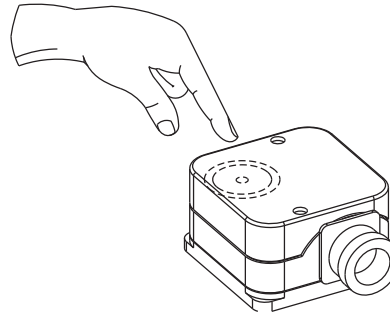


Figure 45. High/Low Gas Pressure Switch

Blocked Vent Switch

This heater is equipped with a blocked vent pressure switch to prevent the operation of the heater when too much of the vent is blocked. This switch is located on the right side of the heater near the right rear corner.

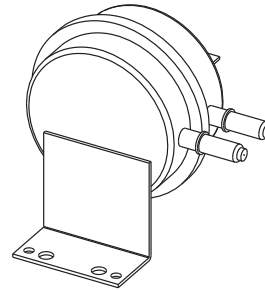


Figure 46. Blocked Vent Switch

Proportional Two-Way Valve

The XTherm is equipped with a proportional two-way valve to provide flow control for CWP (for more information see VERSA IC[®] manual 241493). Factory default settings shown in **Figure 47**. For applications using CWP, ensure the most appropriated setting selection for MIX TYPE setting. This setting is located at the setup menu in the VERSA display. For detailed information see VERSA IC[®] manual 241493.

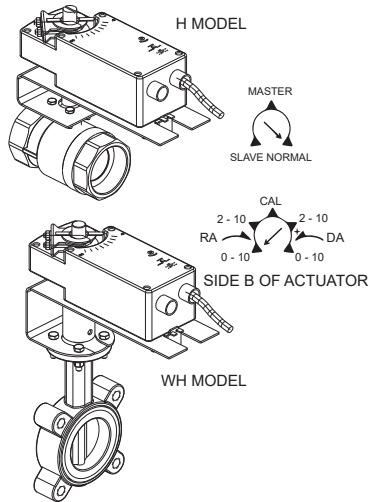


Figure 47. Proportional Two-Way Valve

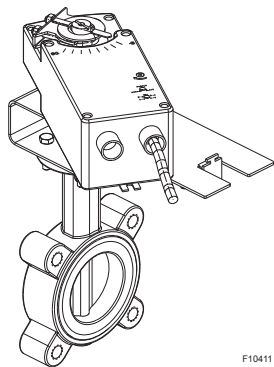


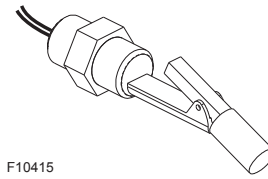
Figure 48. Two-Way Valve as Shipped

Placing 2-way Valve into Service Position

1. Identify the tie strap that fastens the actuator to the mounting bracket.
2. Cut the nylon tie strap and discard the strap.
3. Loosen the 7/16" nut, lock washer and bolt on the bottom of the anti-rotation bracket.
4. Slide the bracket away from the shaft to clear the end of the actuator motor. This will allow the motor to rotate into alignment with the bracket.
5. Align the motor with the valve mounting bracket.
6. With the motor and bracket aligned, slide the lock bracket forward to secure the motor to the anti-rotation bracket and tighten the 7/16" hardware.

Condensate Switch

The condensate switch is located in the flue collector of the condensing exchanger. The switch will shut the unit down in the event of a blockage in the condensate management system.



F10415

Figure 49. Condensate Switch

User Interface

The touchscreen user interface uses a high definition 7" (178 mm) capacitive screen. It includes an extensive graphical library used to represent different pipe configurations, error location, and operation of the unit. The touchscreen has the same basic menu distribution as the original LCD Display, when pressing the MENU button the menu bar becomes visible at the bottom of the screen allowing navigation through four additional sub menus (VIEW, ADJUST, BOILER, and TOOLS).

For detailed descriptions of the various screens, page flows and basic instructions, consult the touchscreen Quick Start User Guide (241630) and VERSA IC® manual (241493).

If your unit has Raymote installed, refer to the Raymote installation and operation manual (241788).

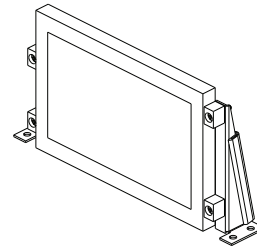


Figure 50. User Interface

Adjusting the XTherm Setpoint

Use the MENU button to open the menu options, select the ADJUST menu, go to System Settings page. Once in the system settings screen use the Setpoint item. Adjust the setpoint using the UP and DOWN arrow. After making the setpoint selection press SET button to apply the changes (a confirmation bar will turn green showing that value has been applied). Minimum setpoint is 50°F (10°C); maximum is 220°F (104°C) for H models, 160°F (71°C) for WH models and 104°F (40°C) for P models. The default setpoint is 180°F (82°C) for H models, 125°F (52°C) for WH models and 80°F (27°C) for P models.

View Menu

The VIEW menu is the default menu. It displays sensor temperatures, the modulation rate of the blower, heater cascade status, pump operation and CFH information. Some of the items displayed are mode specific and are only observable when its corresponding mode is active.

Menu - Initial Adjustment

To change settings on the touchscreen, press MENU icon, Adjust icon, System settings, System menu to open Adjust Settings menu. The ADJUST menu allows the installer to make adjustments to items. See **Table R**.

Refer to the VERSA IC® Control installation and operation manual (241493) for detailed setup instructions.

Item	Application	Description
OUTDOOR	H MODE 1, 2, 3	Outdoor air temperature, available when TARGET = RSET in ADJUST menu
Target	H MODE 1, 2, 3	Current target temperature, available when Target = SETP in the ADJUST menu (default), and (EMS / MODB)
SUPPLY	H MODE 1, 2, 3	Current system supply temperature
IND Supply	H MODE 3	Current temperature being supplied to the indirect system
Boil OUTLET	All	Current boiler outlet temperature
Boil INLET	All	Current boiler inlet temperature
Boil ΔT	All	Current temperature difference between boiler outlet and boiler inlet
DHW SUPPLY	H MODE 2, 3	Current indirect DHW supply temperature, requires IND Sensor = ON in ADJUST menu
TANK	WH	Current tank temperature
POOL	P	POOL return temperature
BOILER STATUS	All	IDLE, PREP, IGN, MOD RATE %, POST, SOFT, HARD
Followers	Cascade Master Only	Number of followers on cascade system

Table Q. View Menu

Item	Application	Range	Description	Default
TARGET	H MODE 1, 2, 3	RSET <> SETP	RSET = Outdoor Reset, SETP =Setpoint	SETP
TANK SETP	WH	OFF, 50°F to 160°F (10°C to 71°C)	Tank set point temperature	125°F (52°C)
TANK DIFF	WH	2°F to 10°F (1°C to 6°C)	Tank Differential temperature	5°F (3°C)
POOL SETP	P	50°F to 104°F, 106°F (10°C to 40°C, 41°C)	Pool set point temperature	80°F (27°C)
POOL DIFF	P	1°F to 5°F (1°C to 3°C)	Pool Differential temperature	2°F (1°C)
POOL MAX	P	110°F to 120°F (43°C to 49°C)	Pool Maximum temperature	110°F (43°C)
MODE	H MODE 1, 2, 3	1,2,3	Piping and application configuration.	1
SETPOINT	H MODE 1, 2, 3	50°F to 220°F (10°C to 104°C)	Boiler target temperature while a heat demand is present for setpoint operation	180°F (82°C)
OUT START	H MODE 1, 2, 3	35°F to 85°F (2°C to 29°C)	Outdoor starting temperature - outdoor reset	70°F (21°C)
OUT DESIGN	H MODE 1, 2, 3	-60°F to 45°F (-51°C to 7°C)	Outdoor design temperature - outdoor reset	10°F (-12°C)
Boil START	H MODE 1, 2, 3	35°F to 150°F (2°C to 66°C)	Starting boiler target temperature when the outdoor temperature is at outdoor start outdoor reset	70°F (21°C)
Boil DESIGN	H MODE 1, 2, 3	70°F to 200°F (21°C to 93°C)	Design boiler target temperature when the outdoor temperature is at outdoor design outdoor reset	180°F (82°C)
TARGET MAX	H MODE 1, 2, 3	38°F (21°C) to PIM value*	Maximum target system temperature	220°F (104°C)
TARGET MIN	H MODE 1, 2, 3	OFF, 50°F to 190°F (10°C to 88°C)	Minimum target system temperature	50°F (10°C)
TARGET DIFF	H MODE 1, 2, 3	2°F to 42°F (1°C to 23°C)	Differential for target system temperature	10°F (6°C)
IND SENSOR	H MODE 1, 2, 3	OFF <> ON	Selects whether a DHW sensor is used for indirect DHW tank	OFF
IND SETP	H MODE 2, 3	OFF, 50°F to 180°F (10°C to 82°C)	Target Indirect DHW Temperature, requires IND SENSOR = ON	140°F (60°C)
Cascade Type	Cascade Master Only	SEQ, PAR	Cascade operation type	SEQ
Cascade Delay	Cascade Master Only	AUTO<>0:10...10:00	Cascade interstage delay	AUTO
Cascade Alarm	Cascade Master Only	ON<>OFF	Cascade Alarm to all units in case of any unit presents alarm	ON
DHW DIFF	H MODE 2, 3	2°F to 10°F (1°C to 6°C)	Differential for the target indirect DHW tank temperature, requires IND SENSOR = ON	6°F (3°C)
IND SUPPLY	H MODE 2, 3	OFF, 50°F (10°C) to PIM value*	Target boiler temperature for the DHW heat exchanger during indirect DHW operation, requires IND SENSOR = OFF	180°F (82°C)
DHW PRIORITY	H MODE 2	OFF <> ON	Selects whether or not Indirect DHW priority is active during indirect DHW operation	OFF
PRI OVR	H MODE 2, 3	Au, 0:10hr to 2:00hr	Sets the length of the indirect DHW priority override time	1:00hr
SYS PURGE	All	OFF, 0:20min to 20:00min	Sets the length of the system pump post purge	20 seconds
MIX TYPE	H / WH / P MIX	H (VALVE, PUMP, PLNT) WH (1 <> 2)	Selects the type of control depending on pipe configuration for CWP	H VALVE WH 2
MIX TARGET	H / WH / P MIX	50°F to 140°F (10°C to 60°C)	Inlet Target Temperature	120°F (49°C)
MIX LOCK	H / WH / P MIX	OFF <> ON	The equipment will trigger a warning when "MIX Target" is not reached within 7 minutes. MIX LOCK = ON; Alarm and lockout, MIX LOCK = OFF; Alarm only	OFF
MIX TRIM	H / WH / P MIX	-5 to 5	This adjustment is for various types and sizes of units as well as various actuator motor speeds and types supplied by Raypak	0
MIX SPEED	H / WH / P MIX	SLOW <> MED <> FAST	This setting defines speed of response.	MED
MIX INV	H / WH / P MIX	OFF <> ON	This option is related to the use of spring return actuators with a proportional valve	OFF
WWSD	H MODE 1, 2, 3	40°F to 100°F (4°C to 38°C)	The system warm weather shutdown temperature outdoor reset, requires TARGET = RSET	70°F (21°C)
UNITS	All	deg F <> deg C	Show units using icons in display	deg F
MODBUS	All	OFF <> MNTR <> TEMP <> RATE	ModBus Operating Mode: Off, Monitor, Temp Control, Rate Control	MNTR
ADDRESS	All	1 to 247	ModBus slave address	1
DATA TYPE	All	RTU <> ASCI	Modbus data type	RTU
BAUD RATE	All	2400 <> 9600 <> 19K2 <> 57K6 <> 115K		19K2
PARITY	All	NONE <> EVEN <> ODD		EVEN

* Maximum operator dial setting.

Table R. Setup/Adjust Menu

Boiler Menu

The Boiler View displays various items regarding ignition, temperature monitoring, and modulation rates. As well as software and hardware information

Item	Application	Description
BOILER 1	ALL	Enables Boiler for operation
BOILER 2	CASCADE	Enables FT-bus Boiler 2 for cascade operation
BOILER 3	CASCADE	Enables FT-bus Boiler for 3 cascade operation
BOILER 4	CASCADE	Enables FT-bus Boiler for 4 cascade operation
IGNITION	ALL	<p>IDLE=no CFH; PREP=pre-purge or inter-purge between trials for ignition; IGN=trial for ignition; BURN=burner operating; POST=post purge; HARD=a hard lockout fault has occurred requiring manual-reset (Ignition Lockout or manual high limit); and SOFT=a soft lockout fault has occurred which interrupts the heating cycle (any safety other than ignition or manual high limit).</p> <p>The CFH will resume after the soft lockout fault has been corrected and a 15 min. waiting period has expired.</p>
CASCADE	Cascade Follower Only	Cascade ID only applicable to Tn_bus follower units
VENT WALL	Not available	Not Available
LIMIT TEMP	ALL	Current Outlet-Limit temperature
EMS Vdc	ALL	Current EMS signal in Volts DC
FIRE RATE	ALL	PIM firing rate
SPEEDX 1000	ALL	Blower speed in revolutions per minute (rpm) x 1000
OUTLET MAX	H Mode 1, 2, 3	Defines Max Outlet temperature offset above Target Setpoint (Press and hold up and down arrows for 3 seconds to enable adjustment). see VERSA IC [®] manual (241493).
OPERATOR	ALL	Operator Potentiometer setting on PIM
DIFF	ALL	Current auto differential – Fixed by PIM
Pump Post	ALL	Sets the length of the boiler pump purge
FLAME CUR	ALL	Flame current in micro-amps (µA)
MASS	ALL	Thermal mass recovery see VERSA IC [®] manual (241493).
IDENTITY	ALL	Identifies the unit as boiler, water heater or pool heater
IGN TYPE	ALL	PIM Board type
ID CARD	ALL	Identifies Raypak Identity Card
ERROR CODE	ALL	Current Error Code

Table S. Boiler Menu

Monitor Menu

The Monitor Menu records and displays critical Boiler information, such as, Cycle times, Run times, and Maximum/Minimum temperature readings depending on the setup.

Item	Application	Description
RUN TIME Burner 1	All	Burner run time (hours). Press UP/DOWN for 1 sec to clear.
Cycles Burner	All	Number of burner cycles. Press UP/DOWN for 1 sec to clear.
RUN TIME Boiler pump	All	Boiler pump run time (hours). Press UP/DOWN for 1 sec to clear.
RUN TIME System pump	All	System pump run time (hours). Press UP/DOWN for 1 sec to clear.
RUN TIME DHW pump	H MODE 2, 3	DHW pump run time (hours). Press UP/DOWN for 1 sec to clear.
OUTLET HI	All	Records the highest boiler outlet temperature. Press UP/DOWN for 1 sec to clear.
OUTLET LO	All	Records the lowest boiler outlet temperature. Press UP/DOWN for 1 sec to clear.
INLET HI	All	Records the highest boiler inlet temperature. Press UP/DOWN for 1 sec to clear.
INLET LO	All	Records the lowest boiler outlet temperature. Press UP/DOWN for 1 sec to clear.
DELTA T	All	Captures the highest Delta T Temperature recorded. Press UP and DOWN buttons for 3 sec to clear this entry
OUTDOOR HI	H MODE 1, 2, 3	Records the highest outdoor temperature. Press UP/DOWN for 1 sec to clear.
OUTDOOR LO	H MODE 1, 2, 3	Records the lowest outdoor temperature. Press UP/DOWN for 1 sec to clear.
SYSTEM HI	All	Records the highest supply temperature. Press UP/DOWN for 1 sec to clear.
SYSTEM LO	All	Records the lowest supply temperature. Press UP/DOWN for 1 sec to clear.
IND HI	H MODE 1, 2, 3	Records the highest Indirect supply temperature. Press UP/DOWN for 1 sec to clear.
IND LO	H MODE 1, 2, 3	Records the lowest Indirect supply temperature. Press UP/DOWN for 1 sec to clear.
TANK HI	WH	Records the highest Tank temperature. Press UP/DOWN for 1 sec to clear.
TANK LO	WH	Records the lowest Tank temperature. Press UP/DOWN for 1 sec to clear.
POOL HI	P	Records the highest pool temperature. Press UP/DOWN for 1 sec to clear.
POOL LO	P	Records the lowest pool temperature. Press UP/DOWN for 1 sec to clear.

Table T. Monitor Menu

Toolbox Menu

The Toolbox Menu logs all error codes from the VERSA and PIM, as well as other functions. Up to 15 error codes can be logged for a maximum of 24 days

Item	Description
Lookup Active Error	Look up and display the active error info.
USER TEST	Select ON to start the function. The setting returns to default after the test is run. See "User Test" on page 49 for details.
MAX HEAT	Select ON to start the function. The setting will time out to OFF after 24 hours or can be set to OFF again by the user. (See VERSA IC [®] manual 241493 for details.)
P/N 104901	Software number of the Raypak VERSA
DEFAULTS	Resets to factory settings. Press UP and DOWN for 1 second to show CLR and load factory defaults to all settings. This will also clear all history.
HISTORY lookup logged error	Displayed when an error code is present. 1 indicates the most recent error code. Press UP and DOWN for 1 second to clear the error logs.

Table U. Toolbox Menu

Internal Flow Diagram

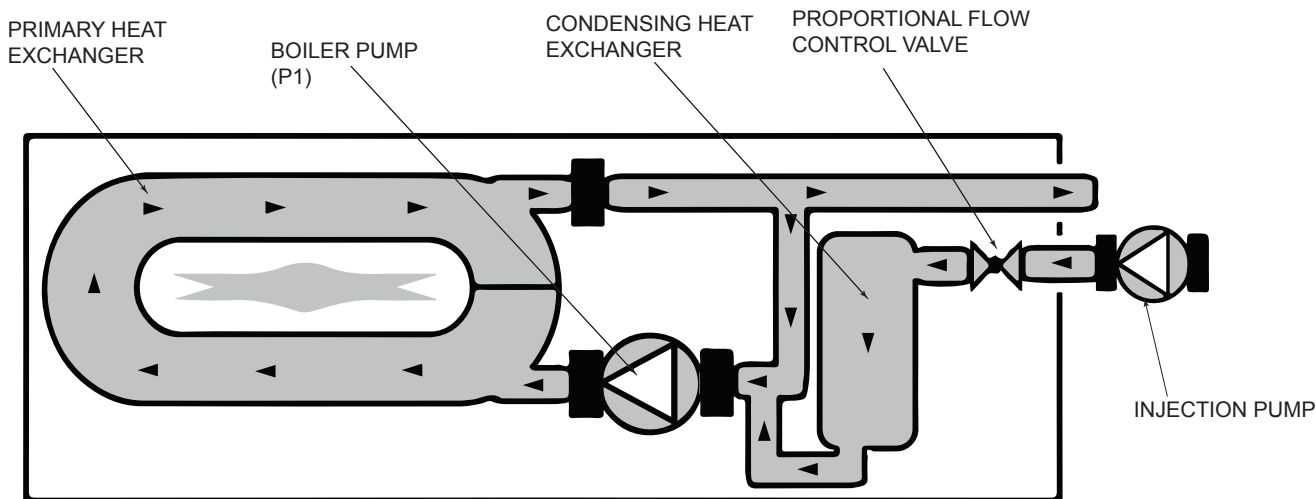


Figure 51. Internal Flow Diagram

Outdoor Reset Concept

The Temperature controller can change the System Set Point based on outdoor temperature (Outdoor Reset). The temperature controller varies the temperature of the circulating heating water in response to changes in the outdoor temperature. The heating water temperature is controlled through the modulation and/or sequencing of the cascade. The Temperature controller can also control the system circulating pump with an adjustable Outdoor Cutoff.

When the outdoor temperature is above the Outdoor Cutoff, the pump is turned off and no heating water is circulated through the system. When the outdoor temperature drops below the Outdoor Cutoff, the system pump relay is activated and the heating water circulates through the system. The temperature of the heating water is controlled by the Reset Ratio, Water Offset, and changes with the outdoor temperature.

Reset Ratio/Outdoor Reset

When a building is being heated, heat escapes through the walls, doors, and windows to the colder outside air. The colder the outside temperature, the more heat escapes. If you can input heat into the building at the same rate that it is lost out of the building, then the building temperatures will remain constant. The Reset Ratio is an adjustment that lets you achieve this equilibrium between heat input and heat loss. The starting point for most systems is the 1.00 (OD):1.00 (SYS) (Outdoor Temperature: Heating Water Temperature) ratio. This means that for every degree the outdoor temperature drops, the temperature of the heating water will increase one degree.

With the VERSA, both ends of the slope are adjustable. It is factory set at 70°F (21°C) water temperature (Boil START) at 70°F (21°C) outdoor air (OUT START), and 180°F (82°C) water temperature (Boil DESIGN) at 10°F (-12°C) outdoor air (OUT DESIGN).

Each building has different heat loss characteristics. A very well insulated building will not lose much heat to the outside air, and may need a Reset Ratio of 2.00 (OD):1.00 (SYS) (Outdoor: Water). This means the outdoor temperature would have to drop 2 degrees to increase the water temperature 1 degree. On the other hand, a poorly insulated building may need a Reset Ratio of 1.00 (OD):2.00 (SYS). This means that for each degree the outdoor temperature dropped the water temperature will increase 2 degrees.

The VERSA Reset Ratio allows for full customization to match any buildings heat loss characteristics. A heating curve that relies not only on Outdoor temperature but also on the type of radiation will improve heat comfort. The user can fine tune these adjustments based on the specific building need.

Reset Ratio Settings

The controller uses the four following settings to determine the reset ratio:

1. Boiler Start (**Boil START**). The Boil START temperature is the theoretical boiler supply water temperature that the heating system requires when the outdoor air temperature equals the OUT START temperature setting. The Boil START is typically set to the desired building temperature.
2. Outdoor Start (**OUT START**). The OUT START temperature is the outdoor temperature at which the control provides the Boil START water temperature to the system. The OUT START is typically set to the desired building temperature.
3. Outdoor Design (**OUT DESIGN**). The OUT DESIGN is the outdoor temperature that is typical coldest annual temperature where the building is located. This temperature is used when completing heat loss calculation for the building.
4. Boiler Design (**Boil DESIGN**). The Boil DESIGN temperature is the water temperature required to heat the boiler zones when the outdoor air is as cold as the OUT DESIGN temperature.

Warm Weather Shut Down (WWSD)

When the outdoor air temperature rises above the WWSD setting, the control turns on the WWSD segment in the display. When the control is in the Warm Weather Shut Down, the Dem 1 segment is displayed if there is a heat demand. However, the control does not operate the boiler to satisfy this demand. The control continues to respond to DHW demands.

Reset Ratio

The controller uses the following four settings to calculate the Reset Ratio (RR). For example, when using the default values, the RR is:

$$\text{RESET RATIO} = \frac{(\text{OUTDOOR START} - \text{OUTDOOR DESIGN})}{(\text{BOILER DESIGN} - \text{BOILER START})}$$

$$\text{RR} = (70 - 10) / (180 - 70) = 0.55$$

Therefore, the RR is 0.55:1 (Outdoor : Water).

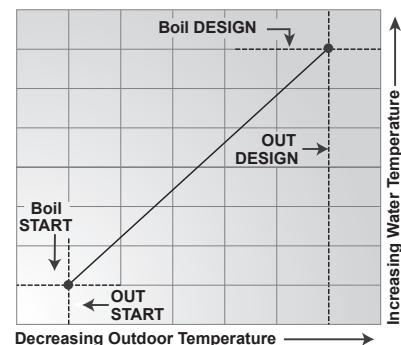


Figure 52. Reset Ratio

NOTE: The wiring diagrams in this manual show all standard options. Refer to the large wiring diagram provided with your boiler for options installed on your specific unit(s).

7. START-UP

NOTE: The following steps must be performed by a factory-trained technician.

Pre Start-up

Filling System (Heating Boilers)

Fill system with water. Purge all air from the system. Lower system pressure. Open valves for normal system operation, and fill system through feed pressure. Manually open air vent on the compression tank until water appears, then close vent.

Air Purge

Purge all air from system before heater operation. This can be normally accomplished by opening a downstream valve.

The XTherm 3005-4005 models have two air vent valves located on top of the upper headers as standard. These valves are used to purge air from the heat exchanger.

CAUTION: An air vent valve should be installed at the highest point in the system for proper operation. If water piping is located higher than the header, an air vent valve should be located at the highest point in the installed system.

Venting System Inspection

1. Check all vent pipe connections and flue pipe material.
2. Make sure vent terminations are installed per code and are clear of all debris or blockage.

For Your Safety

⚠ WARNING: If you do not follow these instructions exactly, a fire or explosion may result causing property damage, personal injury or loss of life.

This appliance has a hot surface igniter. It is equipped with an ignition device which automatically lights the burners. Do not try to light the burners by hand.

BEFORE OPERATING, smell all around the appliance area for gas. Be sure to smell near the floor because some gas is heavier than air and will settle on the floor.

WHAT TO DO IF YOU SMELL GAS:

- Do not try to light any appliance.
- Do not touch any electrical switch; do not use any telephone in your building.
- Immediately call your gas supplier from a neighbor's telephone. Follow the gas supplier's instructions.

- If you cannot reach your gas supplier, call the fire department.
- Use only your hand to turn the gas control valve handle. Never use tools. If the handle will not turn by hand, do not try to repair it; call a qualified service technician. Forced or attempted repair may result in a fire or explosion.
- Do not use this appliance if any part has been under water, immediately call a qualified service technician to inspect the appliance and to replace any part of the control system and any gas control which has been under water.
- Check around unit for debris and remove combustible products, i.e. gasoline, etc.

Pre Start-up Check

1. Verify the heater is filled with water.
2. Check system piping for leaks. If found, repair immediately.
3. Vent air from system. Air in system can interfere with water circulation.
4. Purge air from gas line to heater.

Initial Start-up

Required tools

NOTE: Prior to setting/verifying combustion at full-fire (100%), ensure the GLYCOL% SETTING is set for 0% Glycol. Once combustion tuning/verification has been completed, return the GLYCOL% SETTING to the level required for the fluid being heated.

- (1) 12-0-12 (24" scale) U-tube manometer
- (2) 6-0-6 (12" scale) U-tube manometer
- Screwdrivers (assorted sizes and shapes)
- (1) Crescent wrench (8" or 10")
- (1) Multi-meter
- (1) Flue gas analyzer

(Metric Allen wrenches will be required for servicing the gas valve, but not during start-up)

Preparation

Check Power Supply

With multi-meter at incoming power, check voltage between:

NOTE: Digital manometers are not recommended.

⚠ WARNING: Do not turn on gas at this time.

- L1 - Ground (≈120 VAC)
- L2 - Ground (≈120 VAC)
- L1 - L2 (≈240 VAC)

Attach Manometers to Measure Pressures

1. Turn off main gas valve.
2. Attach 12" scale manometer to an upstream bleedle valve on the gas supply pipe to the heater (Measure point "A" in **Figure 53**).

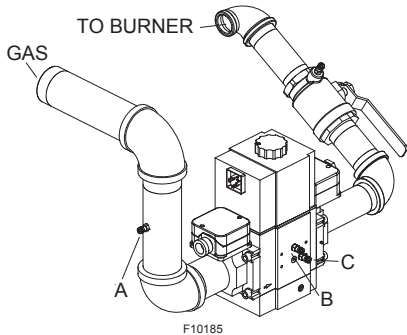


Figure 53. Gas Pressure Measurement Locations

3. Attach 24" scale manometer to the manifold pressure tap located on the shutoff valve downstream of the firing valve (Measure point "D" in **Figure 53**).
4. Attach second 12" scale manometer on the fan suction pressure hose. Pull black cap from the air pressure tee and connect the manometer. See **Figure 54**. NOTE: Retain caps for reinstallation later.

Check Gas Supply Pressure

1. Slowly turn on main gas shut-off valve.
2. Read the gas supply pressure from the manometer; minimum supply pressure for natural gas is 4.0 in. WC, recommended supply is 7.0 in. WC, minimum supply pressure for propane gas is 4.0 in. WC, recommended supply is 11.0 in. WC (dynamic readings, full fire input).
3. If the gas pressure is greater than 14.0 in. WC, turn off the main gas shut-off valve, upstream of the heater.

Start-Up

⚠ WARNING: Improper installation, adjustment, alteration, service or maintenance can cause property damage, personal injury, exposure to hazardous materials or loss of life.

⚠ WARNING: The unit has been factory tested and per-certified at the reference gas pressure as shown on the unit decal. If the desired CO₂ and CO values are not achieved at the listed air pressure in Table V within the tolerance specified, contact your local Raypak Representative or Raypak Factory for direction. Do not alter the settings of installed components. Tampering with preset values can lead to poor performance of the unit and result in personal injury, death or property damage.

NOTE: The values in Table V represent the conditions when the heater is at full firing rate at sea level.

NOTE: Pressure and combustion data are provided with the heater.

NOTE: Technician performing initial start-up must carry a calibrated combustion analyzer to ensure desired combustion levels are achieved.

1. Turn power on.
2. Turn on the heater, wait approximately 15 seconds after the blower starts, the igniter should start to glow (observable through the observation port located at the front, below the gas valve). Look into the sight glass located just below the gas valve near the front of the unit to check igniter operation. Gas valve should open in 45-60 seconds.
3. The heater ignites at 30% to 40% of full rate (as indicated on the LCD display of the temperature controller located behind the front panel).
4. If the burner fails to light on the first trial, it will try for ignition up to three times before going into lockout with the standard ignition module. If the heater is equipped with the optional single-try ignition module, it will go into lockout.
5. Wait until the controller indicates 100% on the firing rate display screen (approximately 30 seconds).

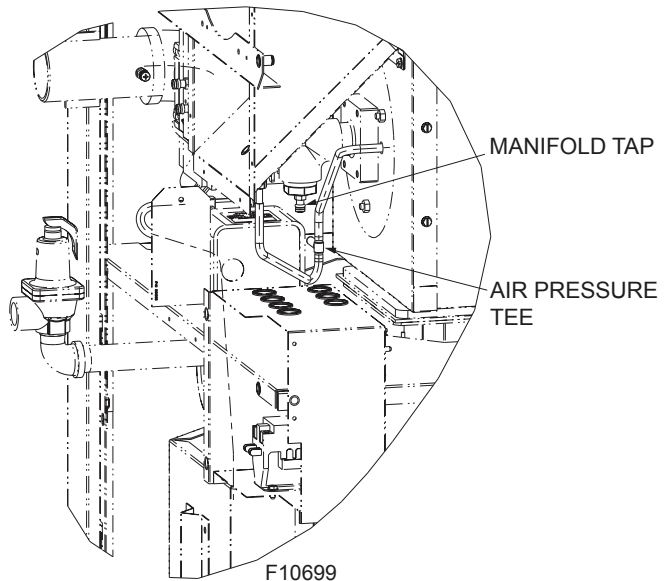


Figure 54. Air Pressure Tee

Blower Check

1. Check blower suction using the manometer attached to the air pressure tee with the heater firing at 100% input. See **Figure 54**. The reading should be as noted in **Table V** for both natural and propane gas.
2. When firing at 100%, the desired heater combustion CO₂ is 9.7% ± 0.5% for natural gas and 11.2%

± 0.5% for propane with CO less than 100 ppm. If this combustion cannot be achieved with the blower suction within the tolerances specified in **Table R**, contact the factory.

3. **For Models H and WH only:** CO₂ and CO levels must be checked at minimum fire. When firing at minimum fire, the desired combustion CO₂ is 9.0% for natural gas and 10.3% for propane gas with CO less than 100 pm. If CO₂ is not between 7.5% and 10% for natural gas, or between 8.0% and 11% for propane gas; and if CO is above 100 ppm in either case, stop running the unit and contact your Raypak representative. Visit www.raypak.com for contact information.

Model	Air Pressure Setting (in. WC)		Setting Tolerance
	Nat. Gas	Propane	
3005	-4.1	-4.1	±.2 in. WC
3505	-4.1	-4.1	±.2 in. WC
4005	-1.0	-1.9	±.2 in. WC

Table V. XTherm Air Pressure Settings

- On the first press of the HOLD/SKIP button, the test step is held and “HOLD” is flashed at 1Hz.
- On the second press of the Hold/Skip button, the test step is incremented.
- If boiler outlet temperature reaches the PIM Hi-Limit, the boiler will be ramped down to keep the temperature in a safe range.
- Pressing the HOLD/SKIP button from Boiler Max will End the User Test function.
- CWP MUST be enabled (VERSA DIP #3) VALVE must be functioning during USER TEST.

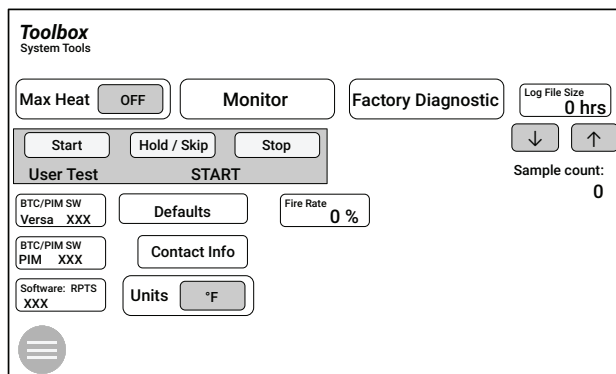


Figure 55. Touchscreen Toolbox Menu

User Test

NOTE: If USER TEST is performed with Cold Water Protection enabled (VERSA DIP 3 = ON), allow valve or VS pump test sequence to complete uninterrupted or a fault condition may occur.

Set DIP switch #1 on the VERSA IC® control to ON. On Touchscreen, click the Menu icon, Tools icon, Systems Tools and press START to initiate User Test sequence.

- User Test START is displayed.
- Press the HOLD/SKIP button to advance through the user test.
- The Boil MIN/MAX steps for burner operation are only run for enabled boilers.
- Local Heat/DHW/EMS demands must be present for burner operation.

Number Field	Output Action
SYS	System Pump relay turns on.
DHW	DHW Pump relay turns on.
PMP 1	System and Boiler Pump relays turn on.
CWP	CWP Proportional output
Boil 1	Ignite Boiler Burner.
Min 1	Hold Boiler at Min Fire.
Max 1	Ramp Boiler to Max Fire and hold.

Table W. User Test Fields

Safety Inspection

1. Check all thermostats and high limit settings.
2. During the following safety checks leave manometers hooked up to check and record measurements.
3. If other gas-fired appliances in the room are on the same gas main, check all pressures on the XTherm with all other equipment running.
4. Check thermostats for ON-OFF operation.
5. Check high limits for ON-OFF operation.
6. While in operation, check flow switch operation.
7. Check the low gas pressure switch (if provided). (For proper adjustment, use the attached manometers, if available, to set pressure. The scales on the switch are approximate only.) Low gas pressure switch (if provided) must be set at 3.0 in. WC for natural gas and propane gas.
8. Make sure that the high gas pressure switch is set to 3.0 in. WC for both natural gas and propane gas.

Finishing

1. Record all data on the “Start-up Checklist” located at the back of this manual.
2. Disconnect the manometers and reconnect the cap on the fan pressure tee and reinsert the sealing screws into the bleedle valves.
3. Start-up is complete and the heater should be operating properly.

Follow-Up

Safety checks must be recorded as performed. Turn heater on. After main burner ignition:

1. Check manometer for proper readings.
2. Cycle heater several times and re-check readings.
3. Remove all manometers and replace caps and screws.
4. Check for gas leaks one more time.

Leak Test Procedure: Dual-Seat Gas Valve

Proper leak testing requires three pressure test points in the gas train. Remove the upper front panel and swing the front J-box out of the way to access the gas valve for this test.

Test point A is a bleedle valve located upstream of the combination gas valve on the supply manifold.

Test point B is a bleedle valve located between the two automatic gas valve seats.

Test point C is a bleedle valve located downstream of both automatic gas valve seats and upstream of the manual valve. See **Figure 56**.

These tests are to be conducted with the electrical power to the heater turned OFF.

1. Manually close the downstream leak test valve.
2. Open the bleedle valve at test point A and connect a manometer to it. Verify that there is gas pressure and that it is within the proper range (NOTE: must not exceed 14.0 in. WC).
3. Open test point B and connect a rubber tube to it. Connect the other end of the tube to a manometer and look for a build-up of pressure. Increasing pressure indicates a leaking gas valve which must be replaced.
4. Next, close the upstream manual gas valve (field supplied) and remove the manometers from the bleedle valves in test point A and test point B. Connect a rubber tube from the test point A bleedle valve to the test point B bleedle valve and open the upstream manual gas valve. Make sure that test point A and B bleedle valves have been opened so as to allow gas to flow. This will bring gas pressure to the second valve seat.
5. Open the bleedle valve at test point C and connect a second rubber tube to it. Connect the other end of the tube to a manometer and look for a build-up of pressure. Increasing pressure indicates a leaking gas valve which must be replaced.
6. Remove rubber tube and manometers. Close each bleedle valve as the tubes are removed.

7. After no leakage has been verified at all valve seats and test valve, open downstream leak test valve and restore electrical power to the heater.

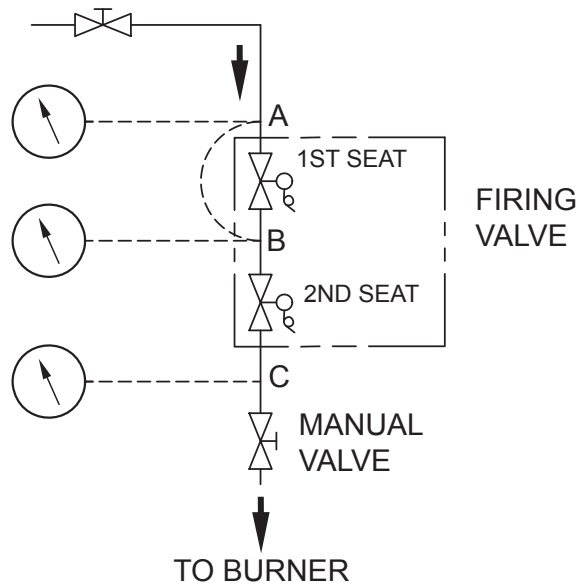


Figure 56. Leak Test Procedure

Post Start-Up Check

Check off steps as completed:

1. Verify that the heater and heat distribution units or storage tank are filled with water.
2. Verify that air has been purged from the system.
3. Verify that air has been purged from the gas piping, and that the piping has been checked for leaks.
4. Confirm that the proper start-up procedures were followed.
5. Inspect burner to verify flame.
6. Test safety controls: If heater is equipped with a low water cut-off or additional safety controls, test for operation as outlined by manufacturer. Burner should be operating and should go off when controls are tested. When safety devices are restored, burners should re-ignite after pre-purge time delay.
7. To test the fixed manual-reset high limit built into the PIM, first set DIP switch #8 on the PIM to the ON position. This will activate a Commission Test Mode which will turn on the amber Alarm/Test LED on the PIM. The fixed high limit setting is temporarily overridden to match the setpoint potentiometer position on the PIM. The high limit can now be adjusted by the potentiometer to assist in commission testing and verification of high limit functionality. The VERSA IC® will allow one-time operation of the limit and then must be returned to normal operation by turning DIP switch #8 back to the OFF position. Power to the unit must then be cycled off, then on to return to normal operation.

8. Test ignition system safety device:
 - a. Close manual gas valve. Turn power on.
 - b. Close Enable/Disable circuit to call for heat.
 - c. The burner should attempt three trials for ignition for the standard model and then lock out. Single-try ignition modules will try only once and then lock out.
 - d. Open manual gas valve. Reset the ignition control by pressing for one second and then releasing the reset button on either the user interface or at the PIM to clear the ignition fault.
9. To restart system, follow lighting instructions in the Operation section.
10. Check to see that the high limit control is set above the design temperature requirements of the system. For multiple zones, check to make sure the flow is adjusted as required in each zone.
11. Check that the heater is cycled with the thermostat. Raise the setting on the thermostat to the highest setting and verify that the heater goes through the normal start-up cycle. Reduce to the lowest setting and verify that the heater goes off.
12. Observe several operating cycles for proper operation.
13. Set the heater thermostat to desired temperature.
14. Review all instructions shipped with this heater with owner or maintenance person, return to envelope and give to owner or place the instructions inside front panel on heater.
9. Set thermostat to desired setting. The appliance will operate. The igniter will glow after the pre-purge time delay (15 seconds). After igniter reaches temperature (30 seconds) the main valve should open. System will try for ignition up to three times (one time on optional single-try ignition module). If flame is not sensed, lockout will commence.
10. If the appliance will not operate, follow the instructions, "To Turn Off Gas To Appliance" and call your service technician or gas supplier.
11. Replace upper front panel.
12. If heater fails to start, verify the following:
 - a. There are no loose connections or that the service switch is off.
 - b. High temperature limit switch (optional) is set above water temperature or manual-reset high limit is not tripped.
 - c. Enable/Disable circuit is closed.
 - d. Gas is on at the meter and the heater.
 - e. Incoming dynamic gas pressure to the gas valve is NOT less than 4.0 in WC for natural gas or propane gas.

8. OPERATION

Lighting Instructions

1. Before operation, make sure you have read all of the safety information in this manual.
2. Remove upper front panel.
3. Set the thermostat to the lowest setting.
4. Turn off all electrical power to the appliance.
5. This appliance is equipped with an ignition device which automatically lights the burner. Do not try to light the burner by hand.
6. Turn on main manual gas valve field installed near gas inlet connection on back of heater.
7. Wait 5 minutes to clear out any gas. Then smell for gas, especially near the floor. If you then smell gas, STOP! Follow the steps in the safety information on the front cover of this manual. If you do not smell gas, go to next step.
8. Turn on all electrical power to the appliance.
1. Shut off manual gas valve field installed near gas inlet connection on back of heater.
2. Remove upper front panel.
3. Adjust setpoint to lowest setting.
4. Turn off all electrical power to the appliance if service is to be performed.
5. Replace access panel.

9. TROUBLESHOOTING

XTherm Error Codes

If any of the sensors detect an abnormal condition or an internal component fails during the operation of the XTherm, the display may show the error. This code may either be the result of a temporary condition in which case the display will revert to its normal readout when the condition is corrected, or it may be the result of a condition that the controller has evaluated as not safe to restart the unit. In this case, the unit control will be locked out, requiring the maintenance person to manually reset the control by pressing and releasing the RESET button.

Heater Errors

When an error condition occurs, the controller will display an error code on the display module. These error codes and several suggested corrective actions are included in the XTherm Fault Text section on the following page.

Heater Faults

1. When a fault condition occurs, the controller will flash a red light on the PIM and display the error code on the user interface. The alarm output will also be activated. Most fault conditions will also cause the boiler pump to run in an attempt to cool the unit.
2. Note the error code, either through the flash code on the PIM and/or from the Toolbox menu on the user interface, and reference the explanation of the fault along with troubleshooting steps in the XTherm fault text section.

XTherm Fault Text

Error Display

If there is an active error, then it is displayed as the first item in the Toolbox Menu and it is the default display for the control until the error is resolved.

Error Item	Description and Troubleshooting
OUTLET SEN	Check the outlet water sensor and its wiring.
LIMIT SEN	Check the high limit sensor and its wiring.
INLET SEN	Check the inlet sensor and its wiring.
GAS PRESS	Check PIM wiring.
IGNITION	Reset control, push and release RESET button.
LIMIT TRIP	Boiler temperature tripped the high limit.
FLAME	False flame detected. Shut off gas supply, recycle power.
ID CARD	Identity card, check ID card and wiring.
IGN CTRL	Internal control fault. Reset power, replace control.
DELTA T	Temperature difference between the inlet and outlet exceeded the set point. Check water flow.
LOW 24VAC	Low 24VAC power. Check power supply wiring and transformer.
BLOW SPEED	Blower speed out of range. Check blower wiring and blower.

Table X. Error Display

3. Press and release the RESET key to clear the fault on the user interface and resume operation. Be sure to observe the operation of the unit for a period of time to ensure correct operation and no re-occurrence of fault code(s).

Raymote Troubleshooting

Please refer to the Raymote installation and operation manual (241788).

⚠ DANGER: When servicing or replacing components that are in direct contact with the water, be certain that:

- There is no pressure in the boiler. (Pull the release on the relief valve. Do not depend on the pressure gauge reading).
- The boiler water is not hot.
- The electrical power is off.

⚠ WARNING: When servicing or replacing any components of this unit be certain that:

- The gas is off.
- All electrical power is disconnected.

⚠ WARNING: Do not use this appliance if any part has been under water. Improper or dangerous operation may result. Contact a qualified service technician to inspect the boiler and to repair or replace any part of the boiler that has been under water prior to placing the boiler back in operation.

⚠ CAUTION: Wiring errors can cause improper and dangerous operation. Verify proper operation after servicing. See wiring diagram.

⚠ CAUTION: If overheating occurs or the gas supply fails to shut off, do not turn off electrical power to the circulating pump. This may aggravate the problem and increase the likelihood of boiler damage. Instead, shut off the gas supply to the boiler at the gas service valve.

LED Error Code Listing

Active errors detected are indicated by LED lights on the PIM.

Error Mode	LED Flash Code on PIM™	Recommended Troubleshooting
Normal Operation	Red LED OFF	
ID Card Fault	Red LED Steady ON, Green Power LED OFF	Check that the proper ID Card is securely connected. Perform a power and system reset.
Internal Control Fault	Red LED Steady ON	Perform a power and system reset. If the fault remains, replace the PIM.
N/A	Red LED – 1 Flash	N/A
False Flame Error	Red LED – 2 Flashes	Check for proper gas valve closure. Clean burner and electrodes.
Ignition Lockout Fault	Red LED – 3 Flashes	Check the gas supply. Check transformer. Check igniters. Check wiring. Press reset button on PIM/membrane switch. Recycle power.
Ignition Proving Current Fault	Red LED – 4 Flashes	Check HSI element. Replace as necessary.
Low Voltage Fault	Red LED – 5 Flashes	Check the 24VAC input voltage – the voltage must be above 18.0VAC for proper operation. Replace transformer as necessary.
N/A	Red LED – 6 Flashes	N/A
Hi-Limit Fault	Red LED – 7 Flashes	Check for proper water flow. Check hi-limit setting and outlet sensor.
Sensor Fault	Red LED – 8 Flashes	Check the VERSA IC® Control for fault identification. Check sensor and wiring.
N/A	Red LED – 9 Flashes	Check wiring at J8, pins 1 3 for loose or missing jumper.
Water Pressure Fault	Red LED – 10 Flashes	Check system piping for leaks. Check water pressure switch (if equipped) and connections. Check wiring on PIM at J1, pins 6 and 7 for loose or missing jumper.
Blower Speed Fault	Red LED – 11 Flashes	Verify the tachometer signal and the connections at terminals J5 on the PIM. Confirm power to boiler is at or above minimum required.
N/A	Red LED – 12 Flashes	Check wiring on PIM at J1, pins 3 and 4 for loose or missing jumper.
Hi-Temperature Delta Fault	Red LED – 13 Flashes	Check pumps operation. Confirm proper water flow across heat exchanger (Delta T).
Ft_bus Communications Fault	Red LED – 14 Flashes	Verify that the VERSA IC® Control is connected and operating properly. Check the cable between the PIM and the VERSA IC® Control.
General limit circuit fault	Red LED – 15 Flashes	Check the VERSA IC® for fault indication and troubleshooting information.

Table Y. PIM LED Error Codes

Sensor Resistance Values

Water Sensor / Outdoor Sensor	
Water Temperature °F (°C)	Resistance (ohms)
32 (0)	32550
41 (5)	25340
50 (10)	19870
59 (15)	15700
68 (20)	12490
77 (25)	10000
86 (30)	8059
95 (35)	6535
104 (40)	5330
113 (45)	4372
122 (50)	3605
131 (55)	2989
140 (60)	2490
149 (65)	2084
158 (70)	1753
167 (75)	1481
176 (80)	1256
185 (85)	1070
194 (90)	915
203 (95)	786
212 (100)	667

Table Z. Approximate Sensor Resistance Values

10. MAINTENANCE

Suggested Minimum Maintenance Schedule

Regular service by a qualified service agency and maintenance must be performed to ensure maximum operating efficiency.

Daily and monthly maintenance as outlined below may be performed by on-site maintenance staff.

Daily

1. Check that the area where the heater is installed is free from combustible materials, gasoline, and other flammable vapors and liquids.
2. Check for and remove any obstruction to the flow of combustion or ventilation air to heater.

Monthly

1. Check for piping leaks around pumps, mixing valves, relief valves, and other fittings. If found, repair at once. DO NOT use petroleum-based stop-leak compounds.

2. Visually inspect burner flame.
3. Visually inspect venting system for proper function, deterioration or leakage.
4. Visually inspect for proper operation of the condensate drain in the venting. If leaks are observed repair at once.
5. Check air vents for leakage.

Yearly (Beginning of Each Heating Season)

Schedule annual service by qualified service agency.

1. Visually check top of vent for soot. Call service person to clean. Some sediment at bottom of vent is normal.
2. Visually inspect venting system for proper function, deterioration or leakage. Ensure that condensate drain is inspected and ensure that condensate is being directed to appropriate condensate management system or drain, as required by local codes.
3. Check that area is free from combustible materials, gasoline, and other flammable vapors and liquids.
4. Check air filter and replace as necessary.
5. Follow pre-start-up check in the Start-up section.
6. Visually inspect burner flame. It should be light blue at full input. Remove and visually inspect hot surface igniter and sensor for damage, cracking or debris build-up.
7. Check operation of safety devices. Refer to manufacturers' instructions.
8. Follow oil-lubricating instructions on pump (if required). Over-oiling will damage pump. Water-lubricated circulators do not need oiling.
9. To avoid potential of severe burn, DO NOT REST HANDS ON OR GRASP PIPES. Use a light touch; return piping will heat up quickly.
10. Check blower and blower motor.
11. Check for piping leaks around pumps, relief valves and other fittings. Repair, if found. DO NOT use petroleum-based stop-leak.

Periodically

1. Check relief valve. Refer to manufacturer's instructions on valve.
2. Test low water cut-off (if equipped). Refer to manufacturer's instructions.

Preventive Maintenance Schedule

The following procedures are recommended and are good practice for all XTherm installations.

Daily

1. Check gauges, monitors and indicators.
2. Check instrument and equipment settings. See **"Post Start-Up Check" on page 50.**
3. Check burner flame. (Should see light blue flame at full input rate).

Weekly

For low-pressure heaters, test low-water cut-off device. (With heater in pre-purge, depress the low water cut-off test button. Appliance should shut-off and ignition fault light should come on. Depress reset button on front of heater control panel to reset).

Monthly

1. Check flue, vent, stack, or outlet dampers.
2. Test blower air pressure. (See "Blower Check" on page 49.)
3. Test high and low gas pressure interlocks (if equipped). See **"Safety Inspection" on page 49.**

Semi-Annually

1. Recalibrate all indicating and recording gauges.
2. Check flame failure detection system components.
3. Confirm firing rate on the unit by clicking on the view icon and selecting the Master Info screen.
4. Check piping and wiring of all interlocks and shut-off valves.
5. Check air filter and replace as necessary.

Annually

1. Test flame failure detection system and pilot turndown.
2. Test high limit and operating temperature. See **"Post Start-Up Check" on page 50.**
3. Check flame sensor.
4. Conduct a combustion test at full fire. Carbon dioxide should be 9.7% at full fire for natural gas, and 11.2% for propane gas. Carbon monoxide should be less than 100 ppm.
5. For Models H and WH only: Check emission at minimum fire and record CO and CO2 reading. CO must be less than 100 ppm for all fuels. CO2 must be between 7.5% and 10% for natural gas, 8.0% and 11% for propane gas. If CO and CO2 are not within these ranges, stop running the unit and contact your Raypak representative.
6. Check valve coil for 60-cycle hum or buzz. Check for

leaks at all valve fittings using a soapy water solution (while heater is operating). Test other operating parts of all safety shut-off and control valves and increase or decrease settings (depending on the type of control) until the safety circuit opens. Reset to original setting after each device is tested.

7. Perform leakage test on gas valves. See **Figure 56.**
8. Inspect and clean burner using shop air.
9. pH Power Pellets® must be replaced the sooner of (i) annually, or (ii) the pH level at the outlet of the neutralizer drops below 5.0 (or the minimum level of the local water authority).

▲ WARNING: Only pH Power Pellets® can be used in JJM® neutralizers. Any other media, such as limestone or marble chips, is strictly prohibited. Failure to follow these instructions completely voids the manufacturer's limited warranty and could cause a safety hazard, severe personal injury, death or substantial property damage.

As Required

NOTE: Technician performing the periodic check up must carry a calibrated combustion analyzer to ensure desired combustion levels are being maintained.

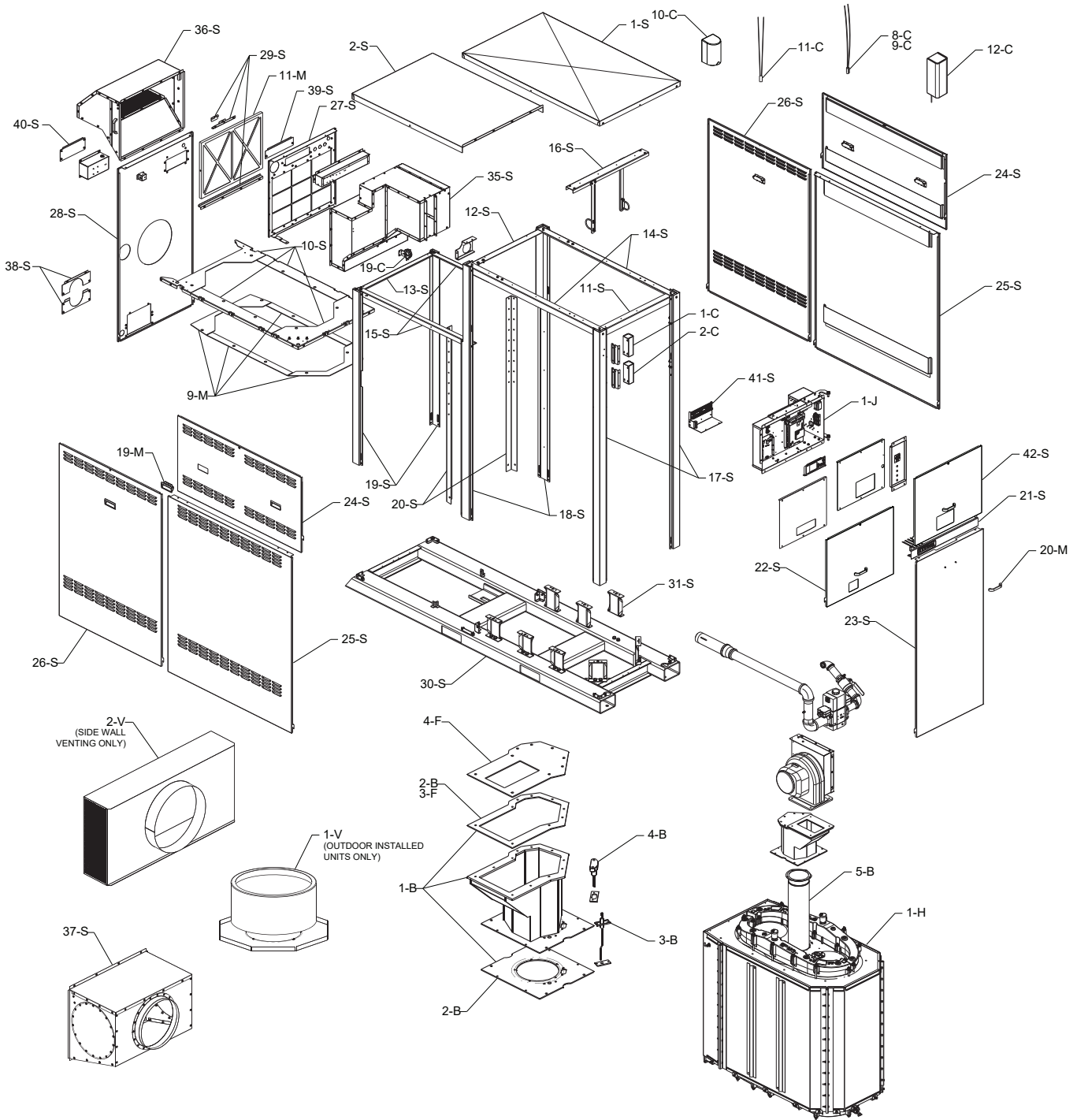
1. Recondition or replace low water cut-off device (if equipped).
2. Check sediment trap and gas strainers.
3. Check flame failure detection system. See **"Post Start-Up Check" on page 50.**
4. Check igniter. Resistance reading should be 40-75 ohms at 77°F (25°C).
5. Check flame signal strength. (Flame signal should be greater than 1 microampere as measured at the 2 pins on the bottom of the PIM).
6. Confirm firing rate on the unit by clicking on the view icon and selecting the Master Info screen. Also confirm the air pressure settings and combustion settings as described in **"Blower Check" on page 48.**
7. Test safety relief valves in accordance with ASME Heater and Pressure Vessel Code Section IV.
8. Clean the screens in the vent & air inlet terminals (as applicable).
9. Visually inspect neutralizer (when applicable) for leaks or damage and replacement of the pH Power Pellets.

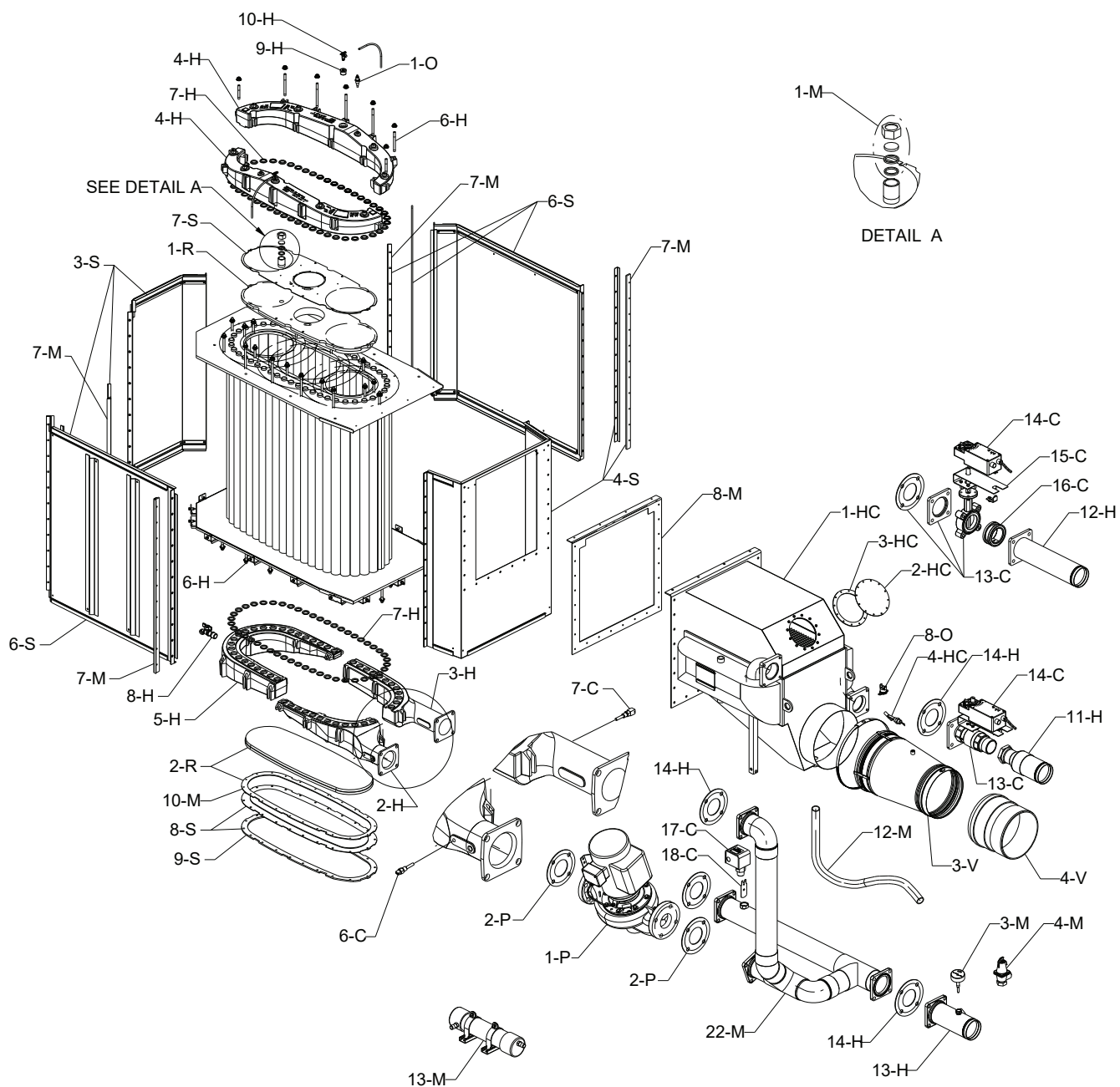
Filter Maintenance

NOTE: Use Raypak replacement filter, kit number 014492F.

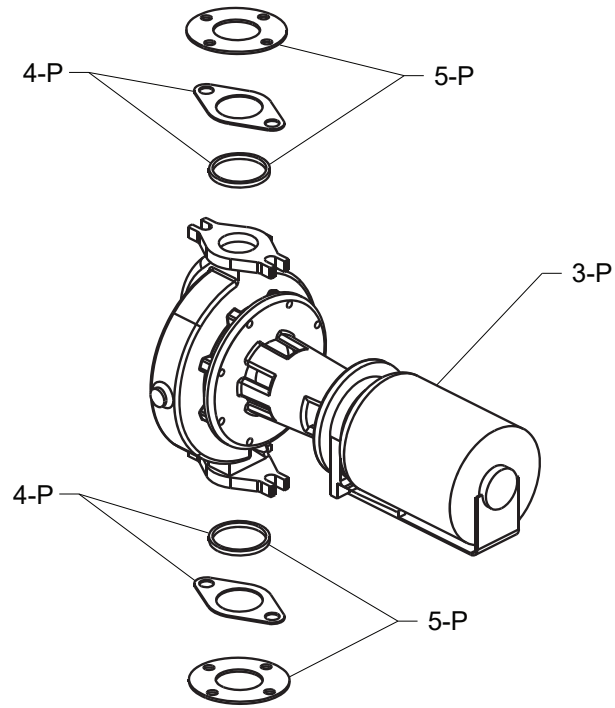
1. Inspect quarterly.
2. Replace as needed. The recommended interval is once per year.

11. ILLUSTRATED PARTS LIST

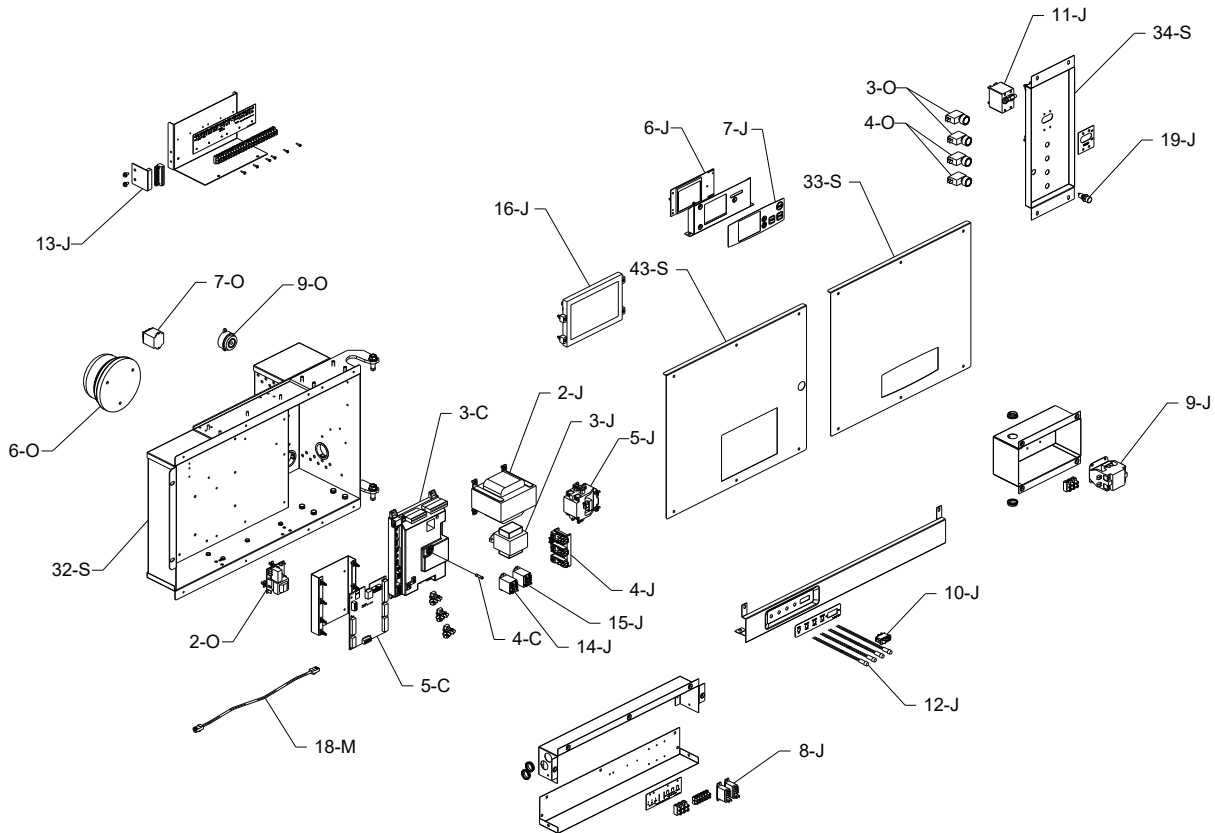




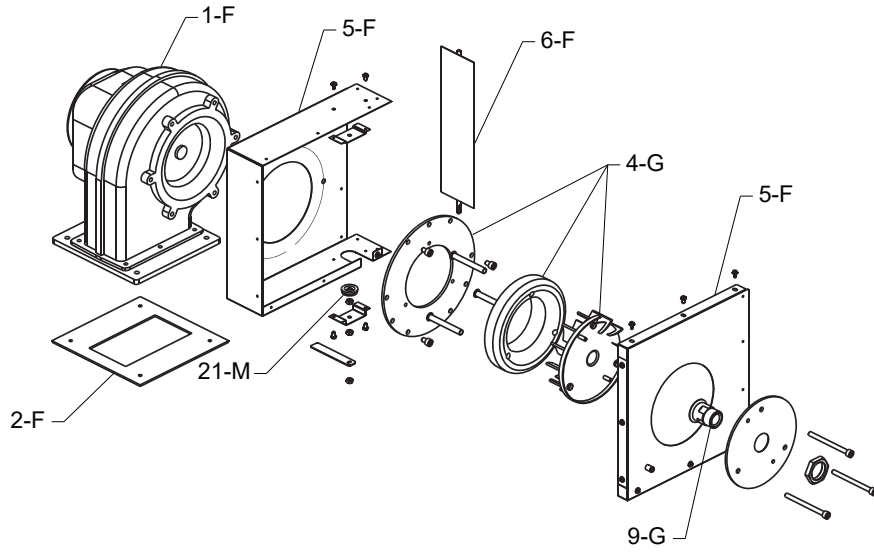
INJECTOR PUMP DETAIL



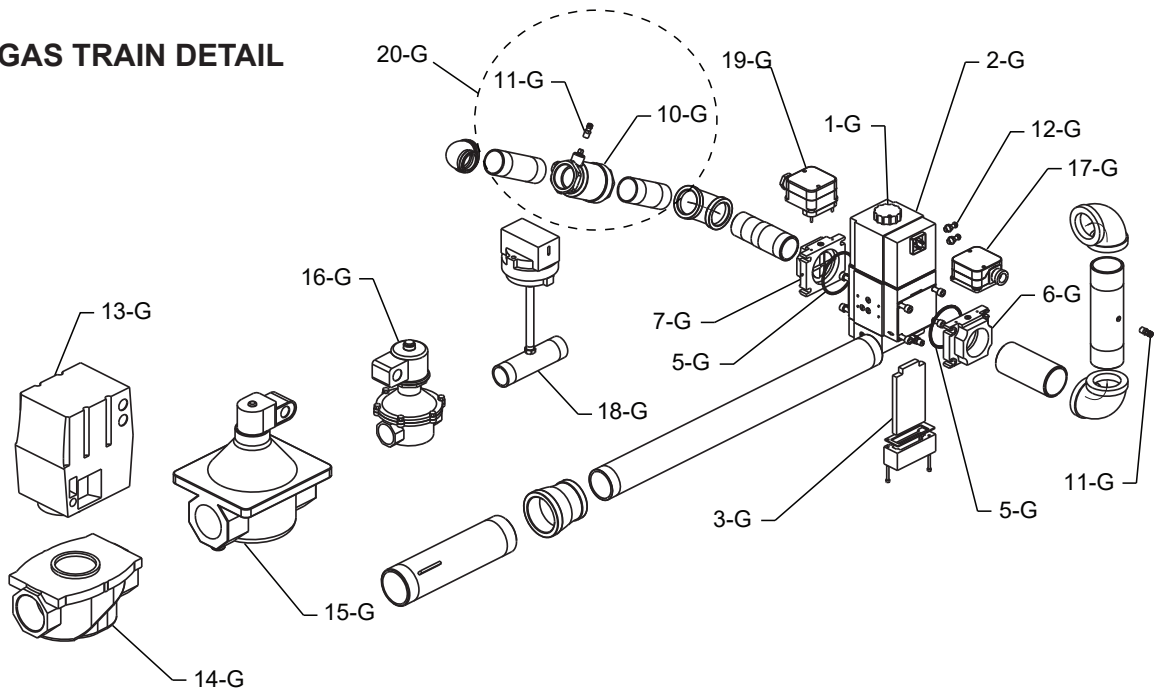
J-BOX & CONTROLS DETAIL



BLOWER DETAIL



GAS TRAIN DETAIL



CALL OUT	DESCRIPTION	3005	3505	4005
B	BURNER ASSEMBLY			
1-B	Adapter Assembly	014397F	014397F	014397F
2-B	Adapter Gaskets	014398F	014398F	014398F
3-B	Flame Sensor Probe	011752F	011752F	011752F
4-B	Igniter	007400F	007400F	007400F
5-B	Burner	014400F	014401F	014402F
C	CONTROLS			
1-C	Auto-Reset Adjustable High Limit 240F Max	007141F	007141F	007141F
	Auto-Reset Adjustable High Limit 200F Max	012546F	012546F	012546F
	Auto-Reset Adjustable High Limit 180F Max	006445F	006445F	006445F
2-C	Manual-Reset Adjustable High Limit 240F	007144F	007144F	007144F
	Manual-Reset Adjustable High Limit 200F	008081F	008081F	008081F
	Manual-Reset Adjustable High Limit 180F	009554F	009554F	009554F
3-C	PIM (Platform Ignition Module) Multi-Try	014324F	014324F	014324F
	PIM (Platform Ignition Module) Single-Try CSD-1	014325F	014325F	014325F
4-C	Fuse 5 Amp (Fast Acting)	013971F	013971F	013971F
5-C	PC Board VERSA IC	100-10000823	100-10000823	100-10000823
6-C	Inlet Sensor (2 Wire)	013175F	013175F	013175F
7-C	Outlet/Limit Sensor (4 Wire)	013932F	013932F	013932F
8-C	System Water Sensor 10K	010787F	010787F	010787F
9-C	Indirect DHW Sensor 10K	010787F	010787F	010787F
10-C	Sensor Outdoor Air B-32	010786F	010786F	010786F
11-C	Sensor Water (Temp Tracker) B-36 thru B-38	012187F	012187F	012187F
12-C	Indirect Tank Aquastat Control B-65	007148F	007148F	007148F
13-C	2-Way Valve Assy			
	Brass Valve Body	015633F	015634F	015634F
	Stainless Steel Valve Body	015650F	015650F	015650F
14-C	Actuator 2-Way Valve	014046F	014046F	014046F
15-C	Mounting Bracket Kit	015551F	015551F	015551F
16-C	Gasket Stainless Steel Valve Assy	015552F	015552F	015552F
17-C	Flow Switch	007142F	007142F	007142F
18-C	Flow Switch Paddle (Taco)	010026F	010026F	010026F
19-C	Air Vent Pressure Switch	011760F	011760F	011760F
20-C	Rubber Tube 1/4" I.D. 4 FT (Not Shown)	100-10001130	100-10001130	100-10001130
	Rubber Tube 1/4" I.D. 8 FT (Not Shown)	100-10001129	100-10001129	100-10001129
F	FAN			
1-F	Blower Combustion Air	014406F	014407F	014407F
2-F	Blower Gasket	014408F	014408F	014408F
3-F	Adapter Gasket	014409F	014409F	014409F
4-F	Adapter Plate	014410F	014410F	014410F
5-F	Plenum Assembly	015636F	015636F	015636F
6-F	Air Shutter	014414F	014414F	014414F
G	GAS TRAIN			
1-G	Valve Gas Modulating 120V (Dungs) Natural Gas	014416F	014416F	014417F
	Valve Gas Modulating (Dungs) Propane Gas	014415F	014415F	014415F
2-G	Valve Coil 120V Nat	014693F	014693F	014694F
	Valve Coil 120V Pro	014693F	014693F	014693F
3-G	Inlet Gas Filter Natural Gas	012295F	012295F	014696F
	Inlet Gas Filter Propane Gas	012295F	012295F	012295F
4-G	Swirler	014419F	014419F	015833F
5-G	O-Rings (Includes Gas Valve and Adapter O-Rings)	012441F	012441F	012441F
6-G	Adapter Gas Valve 2" Inlet (Includes O-Rings)	011917F	011917F	011917F
7-G	Adapter Gas Valve Outlet w/Shutter (Includes O-Ring)	014466F	014466F	014466F
8-G	Adapter Swirl Plate	N/A	N/A	N/A
9-G	Nozzle Natural Gas	014490F	014490F	014491F
	Nozzle Propane Gas	014490F	014490F	014491F
20-G	Valve Gas Ball 1-1/2" Upgrade (Units manufactured prior to May 2023)	100-10000927	100-10000927	100-10000927
10-G	Valve Gas Ball (WOG) (Units manufactured prior to May 2023)	100-10000906	100-10000906	100-10000906
11-G	Bleedle Valve 1/8" MPT	007423F	007423F	007423F
12-G	Bleedle Valve G 1/8" BSP	015400F	015400F	015400F
13-G	Motorized Safety Shut Off Actuator M-1 (Optional)	011908F	011908F	011908F
14-G	Gas Valve Body M1 (Optional)	014469F	014469F	014469F
15-G	Solenoid Safety Shut Off Valve M-10 (Optional)	014470F	014470F	014470F
16-G	Vent Valve Gas M-15 (Optional)	014471F	014471F	014471F
17-G	Switch Low Gas Pressure (Optional)	011770F	011770F	011770F
18-G	Switch Low Gas Pressure w/M-1 or M-10 (Optional)	007187F	007187F	007187F
19-G	Switch High Gas Pressure (Standard)	011771F	011771F	011771F

CALL OUT	DESCRIPTION	3005	3505	4005
H	HEAT EXCHANGER			
1-H	Heat Transfer Cupronickel Bronze	015642F	015643F	015644F
	Heat Transfer Copper Bronze	015638F	015639F	015640F
2-H	Inlet Header Bronze	014480F	014480F	014480F
3-H	Outlet Header Bronze	014481F	014481F	014481F
4-H	Return Header Bronze	014482F	014482F	014482F
5-H	Crossover Header Bronze	014483F	014483F	014483F
6-H	Stud Bolt			
	Inlet/Outlet/Crossover Headers	014513F	014513F	014513F
	Return Headers	014514F	014514F	014514F
7-H	Header Gasket (24 PCS)	007834F	007834F	007834F
8-H	Drain Valve	006536F	006536F	006536F
10-H	Air Vent Valve	016970F	016970F	016970F
9-H	Manual Air Vent Valve Bushing	016282F	016282F	016282F
11-H	Inlet Adapter Copper Grooved Tube H	015645F	015645F	015645F
12-H	Inlet Adapter Copper Grooved Tube H & WH	015721F	015721F	015721F
13-H	Outlet Adapter Copper Grooved Tube	015646F	015646F	015646F
14-H	Flange Gasket (4 Bolt)	015544F	015544F	015544F
HC	HEAT EXCHANGER (Condensing)			
1-HC	Heat Exch Stainless Steel (Includes 20-S)	015647F	015647F	015648F
2-HC	Inspection Port Access Panel	009799F	009799F	009799F
3-HC	Inspection Port Gasket	009735F	009735F	009735F
4-HC	Condensate Float Switch	015649F	015649F	015649F
J	CONTROL BOX			
1-J	Control Box Complete	N/A	N/A	N/A
2-J	Transformer 220/120V 300VA	014403F	014403F	014403F
3-J	Transformer 115/230/24V 43VA	014404F	014404F	014404F
4-J	Terminal Block w / Ground Lug	008523F	008523F	008523F
5-J	Blower Contactor DPDT 24 VAC	016053F	016053F	016053F
6-J	LCD Display PC Board	013939F	013939F	013939F
16-J	Touchscreen Display	018438F	018438F	018438F
17-J	SD Card Programmed (Not Shown)	015887F	015887F	015887F
7-J	Switch/Decal Membrane	013937F	013937F	013937F
8-J	Pump Relay SPDT 120 VAC (Wiring Box)	012126F	012126F	012126F
9-J	Boiler Pump Contactor DPST 120 VAC (Rear Wiring Box)	007906F	007906F	007906F
10-J	Rocker Switch	009493F	009493F	009493F
11-J	On / Off Shut Down Breaker Switch 30 Amp	014405F	014405F	014405F
12-J	Indicator Lamp LED	011848F	011848F	011848F
13-J	PC Board Adapter Status Lights Wiring	014712F	014712F	014712F
14-J	Relay DPDT 24V NO (Units manufactured prior to 2/10/16)	011720F	011720F	011720F
15-J	Relay DPDT 110/120V NO/NC (Units manufactured prior to 2/10/16)	013243F	013243F	013243F
19-J	Reset Switch for Touchscreen	015879F	015879F	015879F
M	MISCELLANEOUS COMPONENTS			
1-M	Combustion Chamber Window (Units manufactured prior to 12/03/18)	015117F	015117F	015117F
	Combustion Chamber Window (Units manufactured from 12/03/18)	016796F	016796F	016796F
2-M	Combustion Chamber Window Seal	N/A	N/A	N/A
3-M	T & P Gauge 0-90 PSI	007205F	007205F	007205F
	T & P Gauge 0-200 PSI	007399F	007399F	007399F
	T & P Gauge 0-230 PSI	014221F	014221F	014221F
4-M	PRV 30 PSI	007750F	007750F	007750F
	PRV 60 PSI	007755F	014488F	014488F
	PRV 75 PSI	014678F	014678F	015275F
	PRV 125 PSI	012312F	012312F	012312F
	PRV 150 PSI	012313F	012314F	012314F
6-M	RTV Sealant 2.8 oz. (Not Shown)	008924F	008924F	008924F
	RTV Sealant 10 oz. (Not Shown)	005755F	005755F	005755F
7-M	Flue Collector Vertical Seal Gasket	014487F	014487F	014487F
8-M	Flue Exhaust Condensing Heat Exchange Gasket	015652F	015652F	015653F
9-M	Heat Transfer Heat Shield Gaskets	015532F	015532F	015532F
10-M	Heat Transfer Lower Seal Gasket	014682F	014682F	014682F
11-M	Air Filter	014492F	014492F	014492F
12-M	Condensate Hose	015654F	015654F	015654F
13-M	Condensate Management	100-10002841	015206	015206
14-M	Touch-up Paint			
	Green	750125	750125	750125
	Cool Dark Gray	750256	750256	750256
15-M	Wire Harness (Not Shown)	015655F	015655F	015655F
16-M	LCD Display Wire Harness (Not Shown)	014554F	014554F	014554F
17-M	LED Status Lights Wire Harness (Not Shown)	014555F	014555F	014555F
18-M	Versa IC Communication Cable	015556F	015556F	015556F
23-M	Identification Card Harness	017035F	017035F	017035F
19-M	Plastic Handle	012681F	012681F	012681F
20-M	Metal Handle	014650F	014650F	014650F
21-M	Shutter Seal Grommet	014494F	014494F	014494F
22-M	Plumbing Assembly (Includes 2-P & 13-H)	015657F	015658F	015659F
	Plumbing Assembly (GRUNDFOS PUMP)	019299F	N/A	N/A
O	OPTIONS			
1-O	Remote Sensor (LWCO)	007228F	007228F	007228F
2-O	Control PC Board (LWCO)	007157F	007157F	007157F
3-O	Test / Reset Switch (LWCO)	005641F	005641F	005641F
4-O	Silencer/Reset Switch (Alarm)	005641F	005641F	005641F
6-O	Alarm Bell 4" 24V	005643F	005643F	005643F
7-O	Relay 3PDT 24 VAC (Alarm)	014717F	014717F	014717F
8-O	Vent Limit Switch Manual-Reset for Polypropylene Venting	015770F	015770F	015770F

CALL OUT	DESCRIPTION	3005	3505	4005
P	PUMPS*			
	Primary Bypass Pump (Internal to Unit)			
1-P	Stainless Steel (Soft Water)	018777F	018777F	018774F
	Stainless Steel (Medium Water, Pool)	018776F	018776F	018776F
	Stainless Steel (Hard Water, Pool)	018776F	018776F	N/A
	Cast Iron	018782F	019091F	018780F
	High Temperature Potable Process (H) Pumps (Internal to Unit)			
	Stainless Steel (Medium Water)	018776F	018776F	018776F
	Stainless Steel (Hard Water)	018776F	018776F	N/A
2-P	Pump Flange Gasket (4-Bolt)	015544F	015544F	015544F
	Injector Pump (External to Unit)			
3-P	Bronze (WH)	007937F	N/A	N/A
	Stainless Steel (WH)	N/A	018773F	018775F
	Stainless Steel No Weld (Pool)	007348F	007351F	007351F
	Cast Iron (H)	007938F	018779F	018781F
	High Temperature Potable Process (H)			
	Bronze	007937F	N/A	N/A
	Stainless Steel	N/A	018773F	018775F
4-P	Pump Flange Gasket (2-Bolt)	N/A	N/A	N/A
5-P	Pump Flange Gasket (4-Bolt)	014000F	015544F	015544F
R	REFRACTORY			
1-R	Combustion Chamber Top (Includes 2-M)	014495F	014495F	014495F
2-R	Combustion Chamber Bottom	014496F	014496F	014496F
S	SHEETMETAL			
1-S	Jacket Top Front	014497F	014497F	014497F
2-S	Jacket Top Rear	015671F	015671F	015671F
3-S	Flue Collector Front (Includes 7-M)	014499F	014500F	014501F
4-S	Flue Collector Rear (Includes 7-M)	015673F	015674F	015675F
6-S	Flue Collector Side (Includes 7-M)	014507F	014508F	014509F
7-S	Combustion Chamber Panel Top	014510F	014510F	014510F
8-S	Combustion Chamber Panel Bottom	014511F	014511F	014511F
9-S	Combustion Chamber Bottom Stiffener	014697F	014697F	014697F
10-S	Heat Transfer Supports	015676F	015676F	015676F
11-S	Upper Cabinet Support Front	014515F	014515F	014515F
12-S	Upper Cabinet Support Middle	014516F	014516F	014516F
13-S	Upper Cabinet Support Rear	015677F	015677F	015677F
14-S	Upper Cabinet Supports Side Front	014517F	014517F	014517F
15-S	Upper Cabinet Supports Side Rear	015678F	015678F	015678F
16-S	Gas Train Support	014518F	014518F	014518F
17-S	Vertical Cabinet Supports with Stiffeners Front	015680F	015681F	015682F
18-S	Vertical Cabinet Supports with Stiffeners Side	015684F	015685F	015686F
19-S	Vertical Cabinet Supports with Stiffeners Rear	015688F	015689F	015690F
20-S	Condensing Heat Exch Supports	015692F	015693F	015694F
21-S	Upper Front Panel for LED Lights	014520F	014520F	014520F
22-S	Jacket Upper Front Panel for LCD Display	015042F	015042F	015042F
42-S	Jacket Upper Front Panel for Touchscreen	015877F	015877F	015877F
23-S	Jacket Lower Front Panel	014523F	014524F	014525F
24-S	Jacket Upper Side Panel Front	014526F	014526F	014526F
25-S	Jacket Lower Side Panel Front	014528F	014529F	014530F
26-S	Jacket Lower Side Panel Rear	015696F	015697F	015698F
27-S	Jacket Upper Rear Panel	014531F	014531F	014531F
28-S	Jacket Lower Rear Panel	015700F	015701F	015702F
29-S	Filter Mounting Retainers & Bracket	014536F	014536F	014536F
30-S	Base Assembly	015703F	015703F	015703F
31-S	Leg Bracket (4 pcs) (8 per Unit)	007306F	007306F	007306F
32-S	Control Box Assy	014545F	014545F	014545F
33-S	Control Box Cover Panel for LCD Digital Display	015041F	015041F	015041F
43-S	Control Box Cover Panel for Touchscreen Display	015876F	015876F	015876F
34-S	Control Box Cover Panel for Power Switch	014547F	014547F	014547F
35-S	Intake Air Plenum	015705F	015705F	015705F
36-S	Intake Air Hood	015706F	015706F	015706F
37-S	Intake Air Box (Truseal)	015707F	015708F	015708F
38-S	Access Panel Water Connections	015709F	015709F	015709F
39-S	Access Panel Wiring Box Upper	014551F	014551F	014551F
40-S	Access Panel Wiring Box Lower	015710F	015710F	015710F
41-S	Wiring Panel Low Voltage	014519F	014519F	014519F
V	VENTING			
1-V	Outdoor Stack	014552F	014552F	014553F
2-V	Vent Cap Horizontal Thru-the-Wall for Indoor Units	006650	006650	007989
3-V	Flue Exhaust Adapter for Stainless Steel Venting	015711F	015711F	015712F
4-V	Flue Exhaust Adapter for Polypropylene Venting	015768F	015768F	015769F

* For individual TACO 1600 series pump parts see separate pump parts IPL 9300.100

If you need information for an older model heater, go to the Raypak website's model number history: <https://www.raypak.com/technical-resources/documents/link>; or contact your Raypak representative for assistance.

Find a Raypak representative for Commercial or Pool product: <https://www.raypak.com/commercial-sales-rep/> or <https://www.raypak.com/pool-heater-sales-rep/>.

12. IMPORTANT INSTRUCTIONS FOR THE COMMONWEALTH OF MASSACHUSETTS

The Commonwealth of Massachusetts requires compliance with regulation 248 CMR 4.00 and 5.00 for installation of through – the – wall vented gas appliances as follows:

(a) For all side-wall horizontally-vented gas-fueled equipment installed in every dwelling, building or structure used in whole or in part for residential purposes, including those owned or operated by the Commonwealth and where the side-wall exhaust vent termination is less than 7 ft (2.1 m) above finished grade in the area of the venting, including but not limited to decks and porches, the following requirements shall be satisfied:

1. INSTALLATION OF CARBON MONOXIDE DETECTORS. At the time of installation of the side-wall horizontal vented gas-fueled equipment, the installing plumber or gasfitter shall observe that a hard wired carbon monoxide detector with an alarm and battery back-up is installed on the floor level where the gas equipment is to be installed. In addition, the installing plumber or gasfitter shall observe that a battery-operated or hard wired carbon monoxide detector with an alarm is installed on each additional level of the dwelling, building or structure served by the side-wall horizontal vented gas-fueled equipment. It shall be the responsibility of the property owner to secure the services of qualified licensed professionals for the installation of hard wired carbon monoxide detectors

a. In the event that the side-wall horizontally-vented gas-fueled equipment is installed in a crawl space or an attic, the hard wired carbon monoxide detector with alarm and battery back-up may be installed on the next adjacent floor level.

b. In the event that the requirements of this subdivision can not be met at the time of completion of installation, the owner shall have a period of thirty (30) days to comply with the above requirements; provided, however, that during said thirty (30) day period, a battery-operated carbon monoxide detector with an alarm shall be installed.

2. APPROVED CARBON MONOXIDE DETECTORS. Each carbon monoxide detector as required in accordance with the above provisions shall comply with NFPA 720 and be ANSI/UL 2034 listed and IAS certified.

3. SIGNAGE. A metal or plastic identification plate shall be permanently mounted to the exterior of the building at a minimum height of 8 ft (2.4 m) above grade directly in line with the exhaust vent terminal for the horizontally-vented gas-fueled heating appliance or equipment. The sign shall read, in print size no less than one-half (1/2) inch in size, "GAS VENT DIRECTLY BELOW. KEEP CLEAR OF ALL OBSTRUCTIONS".

4. INSPECTION. The state or local gas inspector of the side-wall horizontally-vented gas-fueled equipment shall not approve the installation unless, upon inspection, the inspector observes carbon monoxide detectors and signage installed in accordance with the provisions of 248 CMR 5.08(2)(a)1 through 4.

(b) **EXEMPTIONS:** The following equipment is exempt from 248 CMR 5.08(2)(a)1 through 4:

1. The equipment listed in Chapter 10 entitled "Equipment Not Required To Be Vented" in the most current edition of NFPA 54 as adopted by the Board; and

2. Product Approved side-wall horizontally-vented gas-fueled equipment installed in a room or structure separate from the dwelling, building or structure used in whole or in part for residential purposes.

(c) **MANUFACTURER REQUIREMENTS - GAS EQUIPMENT VENTING SYSTEM PROVIDED.** When the manufacturer of Product Approved side-wall horizontally-vented gas equipment provides a venting system design or venting system components with the equipment, the instructions provided by the manufacturer for installation of the equipment and the venting system shall include:

1. Detailed instructions for the installation of the venting system design or the venting system components; and

2. A complete parts list for the venting system design or venting system.

(d) **MANUFACTURER REQUIREMENTS - GAS EQUIPMENT VENTING SYSTEM NOT PROVIDED.** When the manufacturer of a Product Approved side-wall horizontally-vented gas-fueled equipment does not provide the parts for venting the flue gases, but identifies "special venting systems", the following requirements shall be satisfied by the manufacturer:

1. The referenced "special venting system" instructions shall be included with the appliance or equipment installation instructions; and

2. The "special venting systems" shall be Product Approved by the Board, and the instructions for that system shall include a parts list and detailed installation instructions.

(e) A copy of all installation instructions for all Product Approved side-wall horizontally-vented gas-fueled equipment, all venting instructions, all parts lists for venting instructions, and/or all venting design instructions shall remain with the appliance or equipment at the completion of the installation.

GAS PRESSURE SUPERVISION

The Commonwealth of Massachusetts requires listed high and low gas pressure switches (manual-reset) for any model with a maximum firing input greater than 1,000,000 Btu/Hr in accordance with 248 CMR 7.04(11)(d).

A gas pressure regulator (field supplied) is required in the gas train ahead of the heater, for heaters having input rates greater than 1,000,000 Btu/Hr, in accordance with 248 CMR 7.04 Figure 3B requirements.

13. START-UP CHECKLIST

START-UP CHECKLIST FOR FAN-ASSISTED RAYPAK PRODUCTS

This start-up checklist is to be completely filled out by the service technician starting up the Raypak boilers or heaters for the first time. All information may be used for warranty purposes and to ensure that the installation is correct. Additionally this form will be used to record all equipment operation functions and required settings.

GAS SUPPLY DATA

Regulator Model & Size _____ / _____ CFH
 Gas Line Size (in room) _____ In. NPT
 Length of Gas Line _____ Eq Ft
 Low Gas Pressure Setting _____ In. WC
 High Gas Pressure Setting _____ In. WC
 Gas Shut-Off Valve Type _____
 (Ball, Lube cock)
 Port _____ Std _____ Full

VISUAL INSPECTION OF COMPONENTS

Verify inspection was done and condition of components are in good working order with a "yes"
 Wiring Harness _____ Y/N
 Burner (flame) _____ Y/N
 Refractory (Visual) _____ Y/N
 Remote flame sense _____ Y/N
 Covers in place for outdoor _____ Y/N

VENTING

Vent Size: _____ Stack Height: _____
 Vent Material: _____ sketch vent on reverse side ***
 Vent Termination Type: _____
 Combustion Air Openings: Low _____ in²
 Ventilation Air High _____ in²

HO₂T (XVers ONLY, If equipped)

O₂ sensor cable is connected to the O₂ sensor _____
 DDC power switch is in the ON position _____
 Maintenance switch is in the OFF position _____
 Actuator stops are in the correct position _____

CLEARANCES

Front Clearance _____ In.
 Right Side Clearance _____ In.
 Left Side Clearance _____ In.
 Rear Clearance _____ In.
 Overhead Clearance _____ In.

ELECTRICAL

Voltage Supply (VAC) _____ No Load _____
 _____ Load _____
 Voltage -24 VAC _____ VAC
 Voltage Com to Ground _____ VAC
 Hot Surface Igniter _____ Ohms
 Auto High Limit Setting _____ deg F
 Manual Reset High-Limit Setting _____ deg F
 Operating Control Setting _____ deg F

Sketch plumbing on reverse side

WATER SUPPLY

Flow Rate in GPM or Delta T _____ If Avail
 Measure flow rate at full fire
 Pump Purge setting _____ Minutes
 Low Water Cutoff _____ Test
 Plumbing Size _____
 Pump Size: _____ (Boiler) Pump HP: _____
 Impeller trim _____ Pump Model _____
 Louvers _____ Screens _____

RAYMOTE (If equipped)

Wi-Fi signal available in boiler room _____
 Boiler provisioned with valid WiFi credentials _____
 Wi-Fi signal strength (RSSI > -80) _____

EMISSIONS SETTINGS AND TEST INFORMATION

	(AT FULL FIRE)	(AT MIN. FIRE)
Blower Suction Pressure	_____ In. WC	_____ In. WC
Supply Gas Pressure	_____ In. WC	_____ In. WC

Verify stable pressure static and dynamic condition

Nominal Factory Recommended Settings

See manual or card tag
 See manual or card tag

The following measurements must be obtained with a calibrated combustion analyzer.

O ₂	_____ %	_____ %	See manual
CO	_____ PPM	_____ PPM	Less than 100 PPM
CO ₂	_____ %	_____ %	See manual

Model Number: _____

Serial Number: _____
 Site Elevation Above Sea Level _____ Ft.

*** Note: draw venting with details, such as extractors, barometric dampers, blast dampers or draft inducers

Job Name _____
 Address _____
 Physical Location of Boiler: Indoors _____; Outdoors _____; Ground Level _____; Roof _____; Below Grade _____
 Mechanical Contractor / Installer _____
 Date and Time of Start-up _____ Print Name and Signature of Start-up Technician _____

Information must be emailed to: Warranty@Raypak.com in order to ensure warranty consideration Attn: Service Manager

14. WARRANTY



**LIMITED WARRANTY
 XTHERM – TYPES H AND WH
 MODELS 3005-4005**

SCOPE

Raypak, Inc. ("Raypak") warrants to the original owner that all parts of this heater which are actually manufactured by Raypak will be free from failure under normal use and service for the specified warranty periods and subject to the conditions set forth in this Warranty. Labor charges and other costs for parts removal or reinstallation, shipping and transportation are not covered by this Warranty but are the owner's responsibility.

EFFECTIVE DATE

The Effective Date of this Limited Warranty is the date of original installation if properly documented; if you are not able to provide documentary proof of the date of original installation, the Effective Date will be the date of manufacture plus 30-days.

HEAT EXCHANGER WARRANTY

Domestic Hot Water

Five (5) years from date of heater installation. Includes copper heat exchanger with bronze waterways.

Ten (10) years from date of heater installation. Includes only cupronickel heat exchanger with bronze waterways.

Space Heating (Closed Loop System)

Ten (10) years from date of heater installation. Includes both cupronickel or copper heat exchanger with bronze or cast iron water-ways.

Thermal Shock Warranty

Twenty-five (25) years from date of heater installation against "Thermal Shock"; (excluded, however, if caused by heater operation at large changes exceeding 150°F (66°C) between the water temperature at intake and heater temperature, or operating at heater temperatures exceeding 230°F (110°C)).

Stainless Steel Condensing Heat Exchanger

Ten (10) years from date of heater installation.

BURNER WARRANTY PERIOD

Five (5) year warranty from date of burner manufacture for manufacturing and materials defects.

ANY OTHER PART MANUFACTURED BY RAYPAK

One (1) year warranty from date of heater installation, or eighteen (18) months from date of factory shipment based on Raypak's records, whichever comes first.

SATISFACTORY PROOF OF INSTALLATION DATE, SUCH AS INSTALLER INVOICE, IS REQUIRED. THIS WARRANTY WILL BE VOID IF THE HEATER RATING PLATE IS ALTERED OR REMOVED.

ADDITIONAL WARRANTY EXCLUSIONS

This warranty does NOT cover failures or malfunctions resulting from:

1. Failure to properly install, operate or maintain the heater in accordance with our printed instructions provided;
2. Abuse, alteration, accident, fire, flood and the like;
3. Sediment or lime build-up, freezing, or other conditions causing inadequate water circulation;
4. High velocity flow exceeding heater design rates;
5. Failure of connected systems devices, such as pump or controller;
6. Use of non-factory authorized accessories or other components in conjunction with the heater system;
7. Failing to eliminate air from, or replenish water in, the connected water system;
8. Chemical contamination of combustion air or use of chemical additives to water.
9. Burner - Freight damage, excessive wear and tear, upset situations (accidents, misuse, abuse, acts of nature), improper storage conditions, installation, maintenance, or unauthorized modifications, normal deterioration from use and exposure.

PARTS REPLACEMENT

Under this Warranty, Raypak will furnish a replacement for any failed part. The failed part must first be returned to Raypak if requested, with transportation charges prepaid, and all applicable warranty conditions found satisfied. The replacement part will be warranted for only the unexpired portion of the original warranty. Raypak makes no warranty whatsoever on parts not manufactured by it, but Raypak will apply any such warranty as may be provided to it by the parts manufacturer.

HOW TO MAKE WARRANTY CLAIM

Promptly notify the original installer, supplying the model and serial number(s) of the unit, date of installation and description of the problem. The installer must then notify his Raypak distributor for instructions regarding the claim. If either is not available, contact Service Manager, Raypak, Inc., 2151 Eastman Avenue, Oxnard, CA 93030 or call (805) 278-5300. In all cases proper authorization must first be received from Raypak before replacement of any part.

EXCLUSIVE WARRANTY - LIMITATION OF LIABILITY

This is the only warranty given by Raypak. No one is authorized to make any other warranties on Raypak's behalf. THIS WARRANTY IN LIEU OF ALL OTHER WARRANTIES, EXPRESS OR IMPLIED, INCLUDING BUT NOT LIMITED TO IMPLIED WARRANTIES OF MERCHANTABILITY AND FITNESS FOR A PARTICULAR PURPOSE. RAYPAK'S SOLE LIABILITY AND THE SOLE REMEDY AGAINST RAYPAK WITH RESPECT TO DEFECTIVE PARTS SHALL BE AS PROVIDED IN THIS WARRANTY. IT IS AGREED THAT RAYPAK SHALL HAVE NO LIABILITY, WHETHER UNDER THIS WARRANTY, OR IN CONTRACT, TORT, NEGLIGENCE OR OTHERWISE, FOR ANY SPECIAL, CONSEQUENTIAL, OR INCIDENTAL DAMAGE, INCLUDING DAMAGE FROM WATER LEAKAGE. Some states do not allow limitations on how long an implied warranty lasts, or for the exclusion of incidental or consequential damages. So, the above limitation or exclusion may not apply to you.

THIS LIMITED WARRANTY GIVES YOU SPECIFIC LEGAL RIGHTS. YOU MAY ALSO HAVE OTHER RIGHTS WHICH MAY VARY FROM STATE-TO-STATE. We suggest that you complete the information below and retain this certificate in the event warranty service is needed. Reasonable proof of the effective date of the warranty (date of installation) must be presented, otherwise, the effective date will be based on the rate of manufacture plus thirty (30) days.

Original Owner	Model Number
Mailing Address	Serial Number
	Date of Installation
City State Zip Code	Installation Site
Daytime Telephone Number	Contractor/Installer

RAYPAK, INC. • 2151 Eastman Avenue • Oxnard, CA 93030-9786 • (805) 278-5300 • www.raypak.com

15. QR CODES

View this Installation Manual and corresponding manuals on your smart device.

The QR Codes below will take you to the most current version of each Installation Manual from the Raypak Website.

Previous versions of Installation Manuals can be found in the document library at Raypak.com.

P/N: 241549 XTherm 3005-4005 Models



P/N: 241493 VERSA IC Control Installation Manual



P/N: 241630 VERSA IC Quick Start Guide



P/N: 241788 Raymote Operation Instructions



NOTES