



Lochinvar®

HIGH EFFICIENCY BOILERS & WATER HEATERS

COPPER-FIN II® VENTING OPTIONS

Submittal Sheet

CFIIVOA-Sub-14

COPPER-FIN II® VENTING OPTIONS

CF/CH/CP 402-752 WATER HEATERS, BOILERS, POOL HEATERS

Job Name: _____ Model No. _____

Location: _____ Vent Configuration: _____

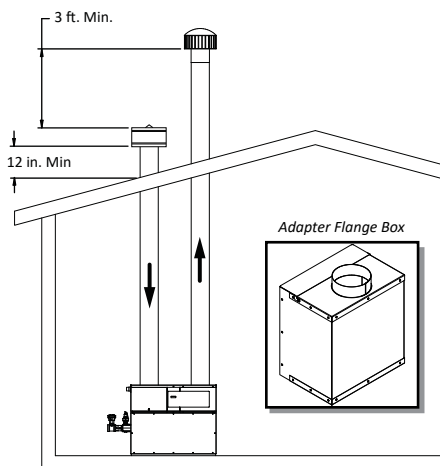
Engineer: _____ Equipment Tag(s): _____

Agent/Wholesaler: _____

Contractor: _____

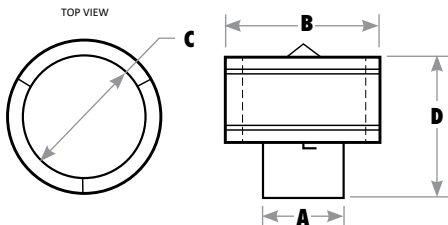
NOTES:

○ DIRECTAIRE™ VERTICAL VENTING



Lochinvar supplies the air inlet connection to the jacket, Air Inlet Cap, and the adapter flange box for flue. Contractor to supply Type "B" vent pipe material, exhaust vent cap, and single wall air inlet pipe.

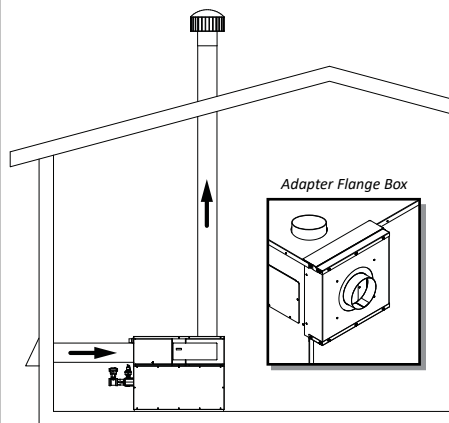
Maximum air inlet length 50 equivalent feet.



AIR INLET CAP

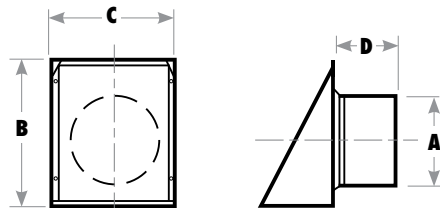
KIT NO.	MODEL	A	B	C	D
○ 100172048	CF/CH/CP 402-502	6"	10-1/2"	8-1/2"	8-1/4"
○ 100172049	CF/CH/CP 652-752	8"	12-1/2"	10"	8-1/4"

○ DIRECTAIRE™ VERTICAL VENT with SIDEWALL INLET



Lochinvar supplies the air inlet connection to the jacket, Air Inlet Cap, and the adapter flange box for flue. Contractor to supply Type "B" vent pipe material, exhaust vent cap, and single wall air inlet pipe.

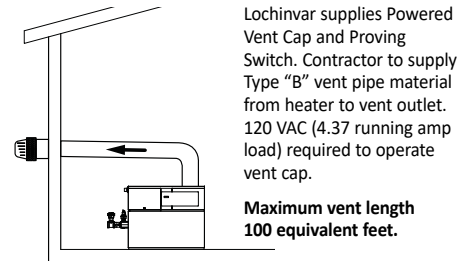
Maximum air inlet length 50 equivalent feet.



AIR INLET CAP

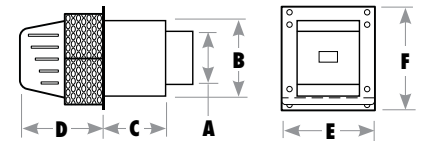
KIT NO.	MODEL	A	B	C	D
○ 100169225	CF/CH/CP 402-502	6"	9"	9"	2-1/2"
○ 100169226	CF/CH/CP 652-752	8"	12"	12"	2-1/2"

○ POWERED SIDEWALL VENTING (w/ ROOM AIR)



Lochinvar supplies Powered Vent Cap and Proving Switch. Contractor to supply Type "B" vent pipe material from heater to vent outlet. 120 VAC (4.37 running amp load) required to operate vent cap.

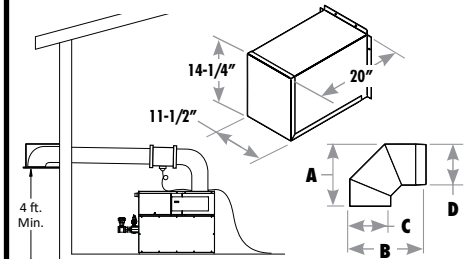
Maximum vent length 100 equivalent feet.



POWERED VENT CAP

KIT NO.	MODEL	A	B	C	D	E	F
○ 100169191	CF/CH/CP 402-502	6"	8"	9-1/8"	10-3/4"	10-5/8"	12-1/4"
○ 100169192	CF/CH/CP 652-752	8"	10"	9-1/8"	11-7/8"	13"	14-1/4"

○ SIDEWALL VENTING w/ ROOM AIR

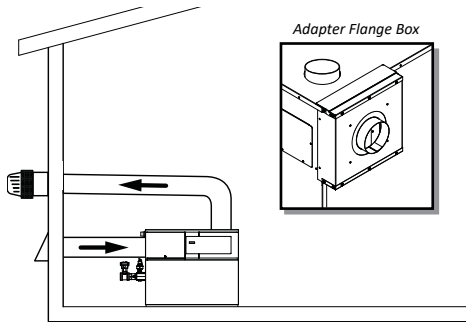


Lochinvar supplies exhaust cap and vent adapter. Contractor to supply Category IV approved vent pipe material. Maximum vent length 50 equivalent feet.

VENT ADAPTER

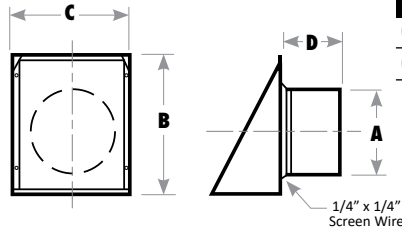
KIT NO.	MODEL	A	B	C	D
○ 100169221	CF/CH/CP 402-502	9-1/8"	11-1/8"	6"	5-7/8"
○ 100169222	CF/CH/CP 652-752	14-1/4"	16"	8"	7-7/8"

○ POWER DIRECTAIRE™ HORIZONTAL VENTING



Lochinvar supplies Powered Vent Cap, Proving Switch, Air Inlet Cap and air inlet connection to jacket. Contractor to supply Type "B" vent pipe material from heater to vent outlet and single wall air inlet pipe. 120 VAC (4.37 running amp load) required to operate Vent Cap.

Maximum air inlet and vent length:
100 equivalent feet.



POWERED VENT CAP

KIT NO.	MODEL	A	B	C	D	E	F
○ 100147152	CF/CH/CP 402-502	6"	8"	9-1/8"	10-3/4"	10-5/8"	12-1/4"
○ 100147153	CF/CH/CP 652-752	8"	10"	9-1/8"	11-7/8"	13"	14-1/4"

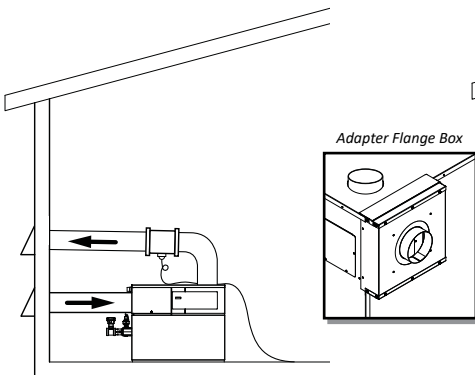
AIR INLET / EXHAUST CAP

MODEL	A	B	C	D
CF/CH/CP 402-502	6"	9"	9"	2-1/2"
CF/CH/CP 652-752	8"	12"	12"	2-1/2"

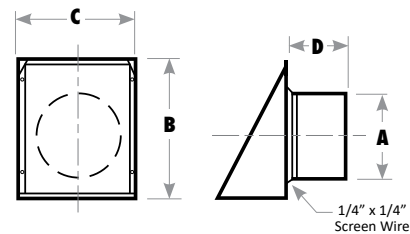
AIRE-LOCK DIRECT VENT

Maximum air inlet and vent length 50 equivalent feet each.

○ HORIZONTAL



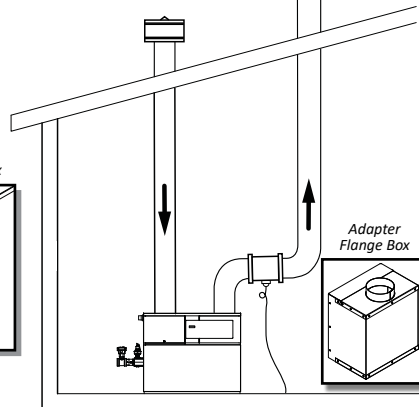
Lochinvar supplies the air inlet cap, air inlet connection to the jacket, adapter flange box, and exhaust cap. Contractor to supply drain tee for vent, Category IV approved vent pipe, and air inlet pipe suitable for the installation environment.



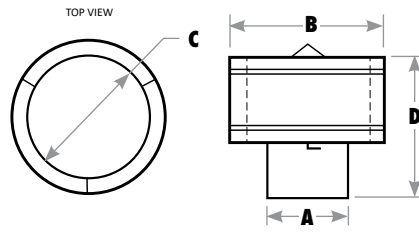
AIR INLET & EXHAUST CAP

KIT NO.	MODEL	A	B	C	D
○ 100141702	CF/CH/CP 402-502	6"	9"	9"	2-1/2"
○ 100141703	CF/CH/CP 652-752	8"	12"	12"	2-1/2"

○ VERTICAL



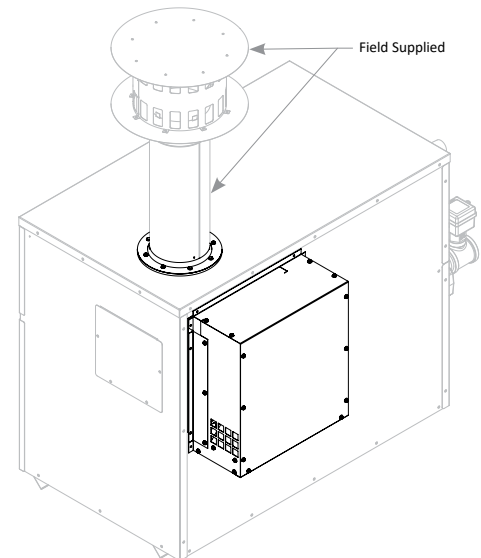
Lochinvar supplies the air inlet cap, air inlet connection to the jacket, and adapter flange box. Contractor to supply drain tee for vent, Category IV approved vent pipe, exhaust cap, and air inlet pipe suitable for the installation environment.



AIR INLET CAP

KIT NO.	MODEL	A	B	C	D
○ 100172048	CF/CH/CP 402-502	6"	10-1/2"	8-1/2"	8-1/4"
○ 100172049	CF/CH/CP 652-752	8"	12-1/2"	10"	8-1/4"

○ OUTDOOR VENTING



Lochinvar supplies the Outdoor Vent Cover and gaskets for the exhaust pipe. The pipe and cap must be field supplied as indicated.

KIT NO. MODEL

○ 100337591	CF 402-502
○ 100337592	CF 652-752
○ 100337237	CH 402-502
○ 100337239	CH 652-752
○ 100337597	CP 502
○ 100337598	CP 652-752



Lochinvar, LLC
300 Maddox Simpson Parkway
Lebanon, Tennessee 37090
P: 615.889.8900 / F: 615.547.1000

f t in Lochinvar.com

