

LARGE WALL FITTINGS



STANDARD COLORS 101 102 103 104 105 108

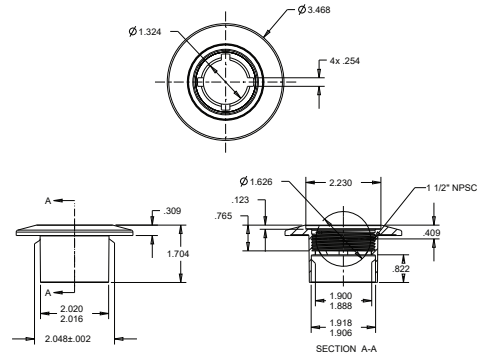
Large Wall Fitting (Fits Inside 2" Pipe)

FEATURES

2" socket x 2" socket
 Provides easy installation and hassle-free connect and disconnect
 Self-sealing – no Teflon® tape needed
 Removes stress on the mating part
 50 per case



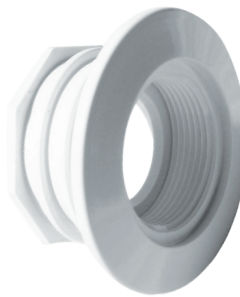
Part # ES1022SI20xx



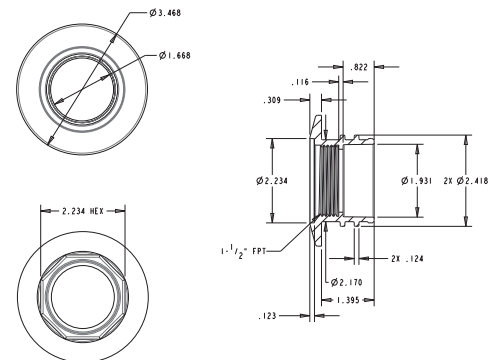
Large Wall Fitting with Water Stop (Fits 1 1/2" Pipe)

FEATURES

2" socket x 2" socket
 Provides easy installation and hassle-free connect and disconnect
 Self-sealing – no Teflon® tape needed
 Removes stress on the mating part
 50 per case



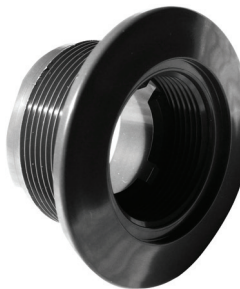
Part # ES1022WBxx



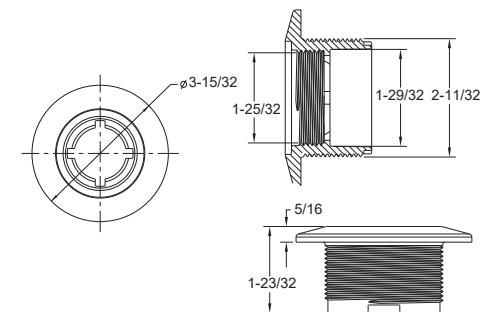
Large Wall Fitting with Threaded OD (Fits 1 1/2" Pipe)

FEATURES

Standard 1022 fits outside 1 1/2" pipe, threads inside 2" pipe
 1 1/2" FPT in the front face
 Large flange camouflages pipe and surface construction variations
 See also decorative cover p/n DCxx to make existing 1022s like new with different colors
 Manufactured from engineered polymer UV-resistant ABS material
 250 per case
 Also available in Clear (p/n ES102200)



Part # UN20S



P 877-768-2717 F 877-276-POOL Outside the US: P +1-949-336-1940 F +1-949-336-1940
 info@aquastarpoolproducts.com www.aquastarpoolproducts.com CS177-013024