

RT15 Slide Specifications

Product Numbers and Shipping Weights:

Model Number	Description	Shipping Weights
GPPSRT15-GREY-R	RT15 – Grey Granite Right	475 lbs (215 kg)
GPPSRT15-SAND-R	RT15 – Sandstone Granite Right	475 lbs (215 kg)
GPPSRT15-GREY-L	RT15 – Grey Granite Left	475 lbs (215 kg)
GPPSRT15-SAND-L	RT15 – Sandstone Granite Left	475 lbs (215 kg)
GPPSRT15-GREY-R-LED	RT15 – Grey Granite Right w/ Flume Light Pkg	485 lbs (220 kg)
GPPSRT15-SAND-R-LED	RT15 – Sandstone Granite Right w/ Flume Light Pkg	485 lbs (220 kg)
GPPSRT15-GREY-L-LED	RT15 – Grey Granite Left w/ Flume Light Pkg	485 lbs (220 kg)
GPPSRT15-SAND-L-LED	RT15 – Sandstone Granite Left w/ Flume Light Pkg	485 lbs (220 kg)

Broad Description:

The RT15 Slide is a sturdy, durable roto-molded slide with finished exterior. The RT15 is available in Sandstone or Grey Granite finishes and has the option of an LED flume lighting package.

Utilization:

The RT15 is intended for in-ground residential swimming pools only. Our multi-point anchoring system allows the RT15 to accommodate most geographical regions. The slide is rated for a maximum of 300 lb. (136 kg) for its riders.

Specifications:

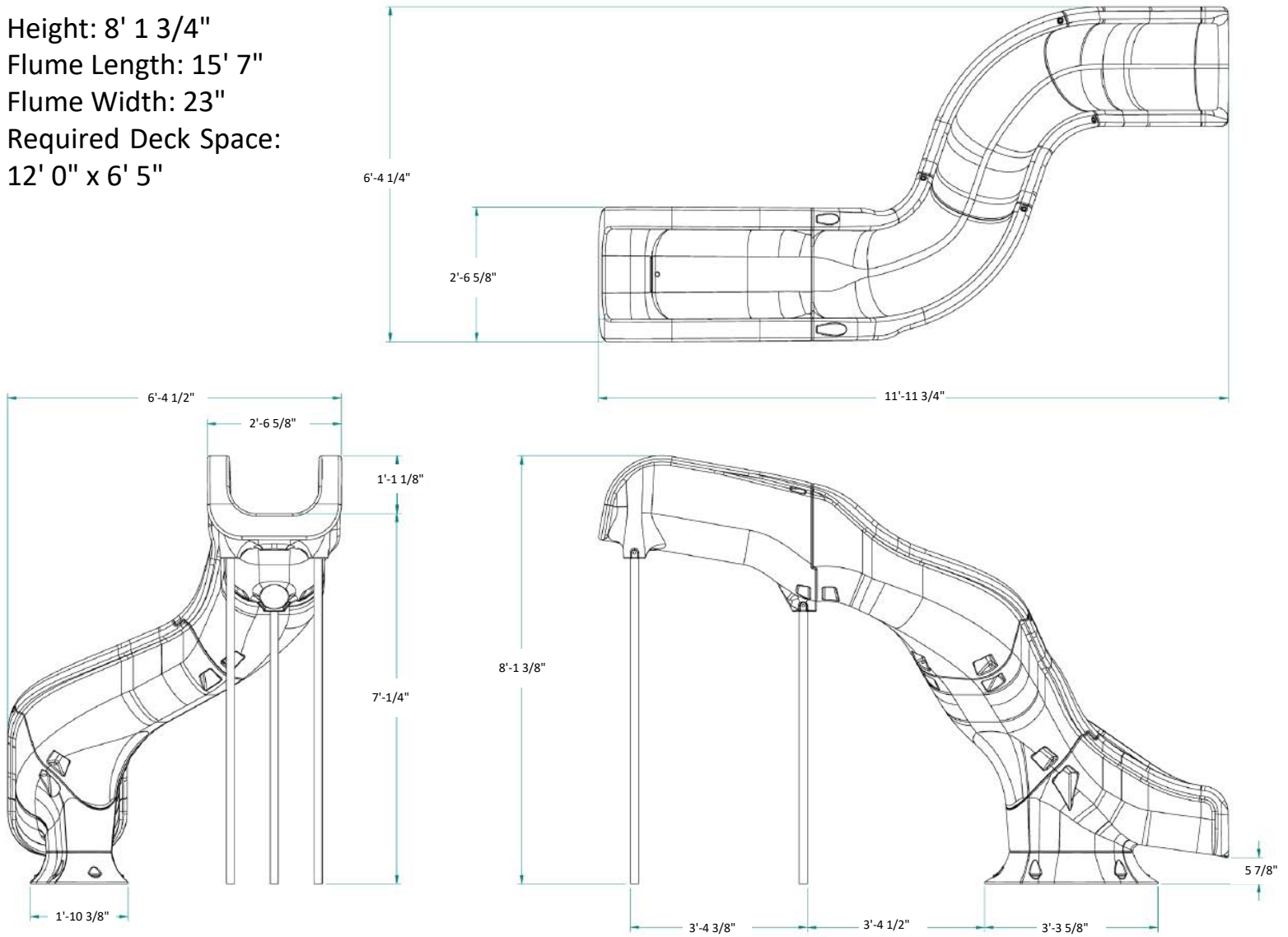
- § The slide runway has a twenty-three (23) inch wide seating area made of a thick, durable roto-molded plastic.
- § Water is delivered with a 1" PVC hose to allow maximum water coverage on the flume at 25 gpm.
- § The RT15 is anchored to the pool deck with ½" diameter stainless anchor studs with attaching hardware.

The information contained in this document is proprietary and confidential to Global Pool Products and not to be reproduced without written consent from Global Pool Products



RT15 Slide Specifications

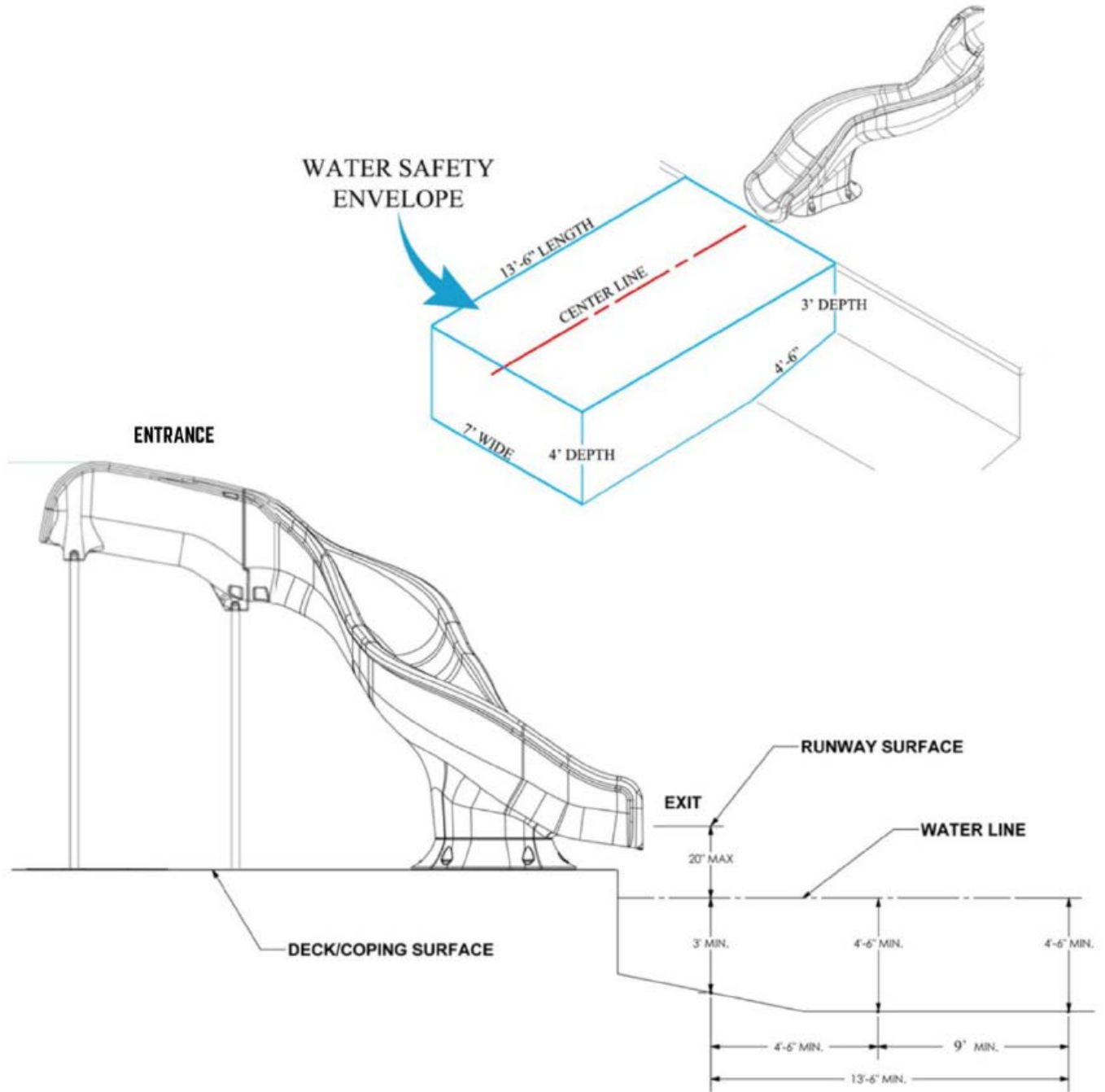
Height: 8' 1 3/4"
 Flume Length: 15' 7"
 Flume Width: 23"
 Required Deck Space:
 12' 0" x 6' 5"



The information contained in this document is proprietary and confidential to Global Pool Products and not to be reproduced without written consent from Global Pool Products



RT15 Water Safety Envelope



The information contained in this document is proprietary and confidential to Global Pool Products and not to be reproduced without written consent from Global Pool Products

