

# Side Winder Slide Specifications

## Product Numbers and Shipping Weights:

Model Number	Description	Shipping Weights
GPPSSW-GREY-R	Side Winder – Grey Granite Right	530 lbs (240.4 kg)
GPPSSW-SAND-R	Side Winder – Sandstone Granite Right	530 lbs (240.4 kg)
GPPSSW-GREY-L	Side Winder – Grey Granite Left	530 lbs (240.4 kg)
GPPSSW-SAND-L	Side Winder – Sandstone Granite Left	530 lbs (240.4 kg)
GPPSSW-GREY-R-LED	Side Winder – Grey Granite Right w/ Light Pkg	540 lbs (244.9 kg)
GPPSSW-SAND-R-LED	Side Winder – Sandstone Granite Right w/ Light Pkg	540 lbs (244.9 kg)
GPPSSW-GREY-L-LED	Side Winder – Grey Granite Left w/ Light Pkg	540 lbs (244.9 kg)
GPPSSW-SAND-L-LED	Side Winder – Sandstone Granite Left w/ Light Pkg	540 lbs (244.9 kg)

## Broad Description:

The Side Winder Slide is a sturdy, durable roto-molded slide with enclosed plumbing for a clean finished look. The Side Winder is available in Sandstone or Grey Granite finishes and has the option of an LED lighting package.

## Utilization:

The Side Winder is intended for in-ground residential swimming pools only. Our multi-point anchoring system allows the Side Winder to accommodate most geographical regions. The slide is rated for a maximum of 275 lb. (124 kg) for its riders.

## Specifications:

- § The ladder is enclosed with nine (9) coping style steps for a safe and easy climbing.
- § The two (2) handrails are roto-molded into the ladder with two (2) optional widths for a comfortable climb for most riders.
- § The slide runway has a twenty-three (23) inch wide seating area made of a thick, durable roto-molded plastic.
- § The water delivery system is enclosed within the roto-molded ladder for a clean look. Water is delivered with a 1" PVC hose to allow maximum water coverage on the flume at 25 gpm.
- § The Side Winder is anchored to the pool deck with ½" diameter stainless anchor studs with attaching hardware.

The information contained in this document is proprietary and confidential to Global Pool Products and not to be reproduced without written consent from Global Pool Products



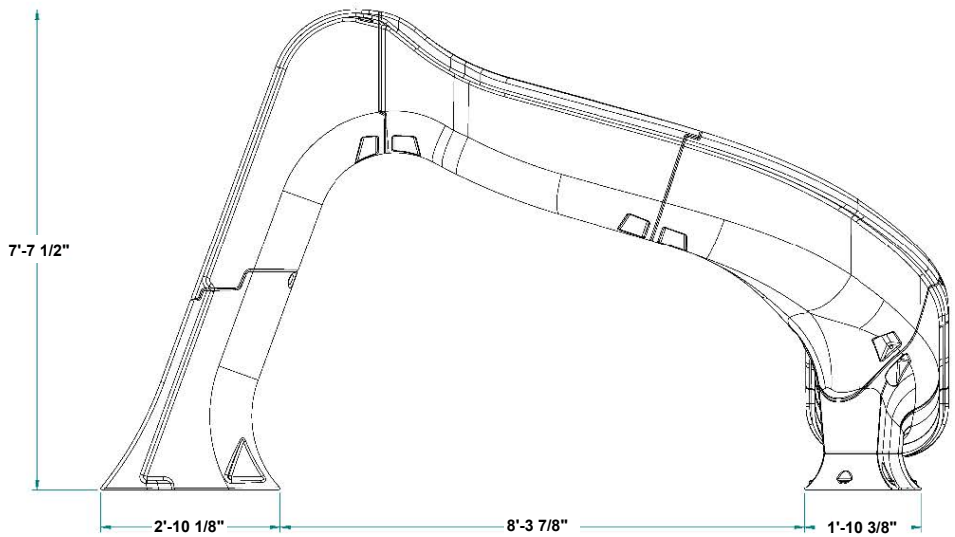
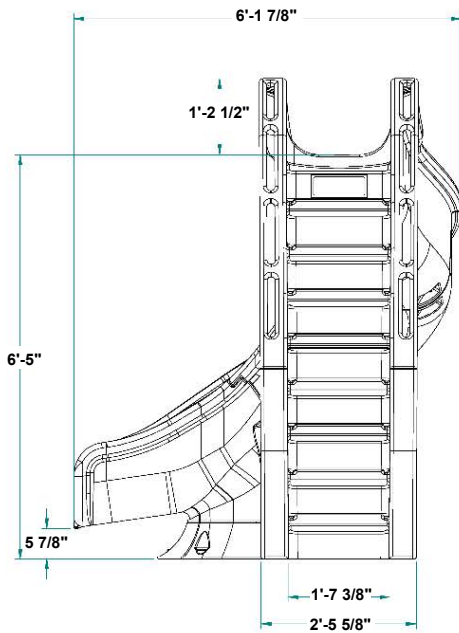
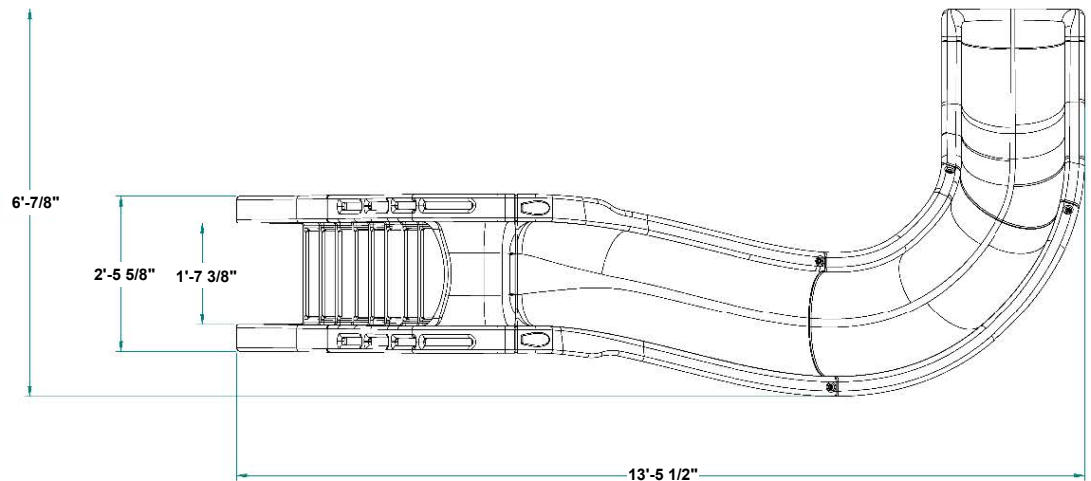
# Side Winder Slide Specifications

Height: 7' 8"

Flume Length: 14' 1"

Flume Width: 23"

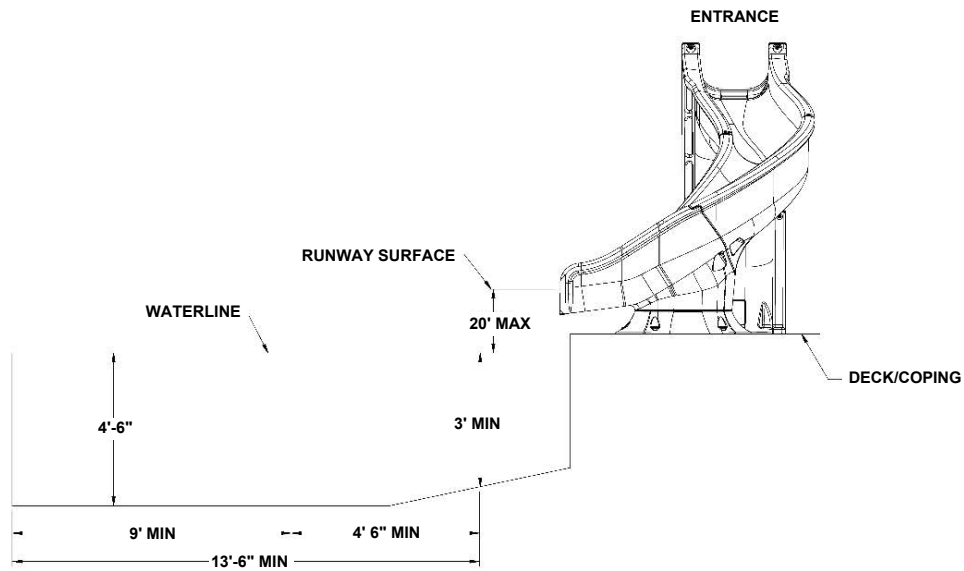
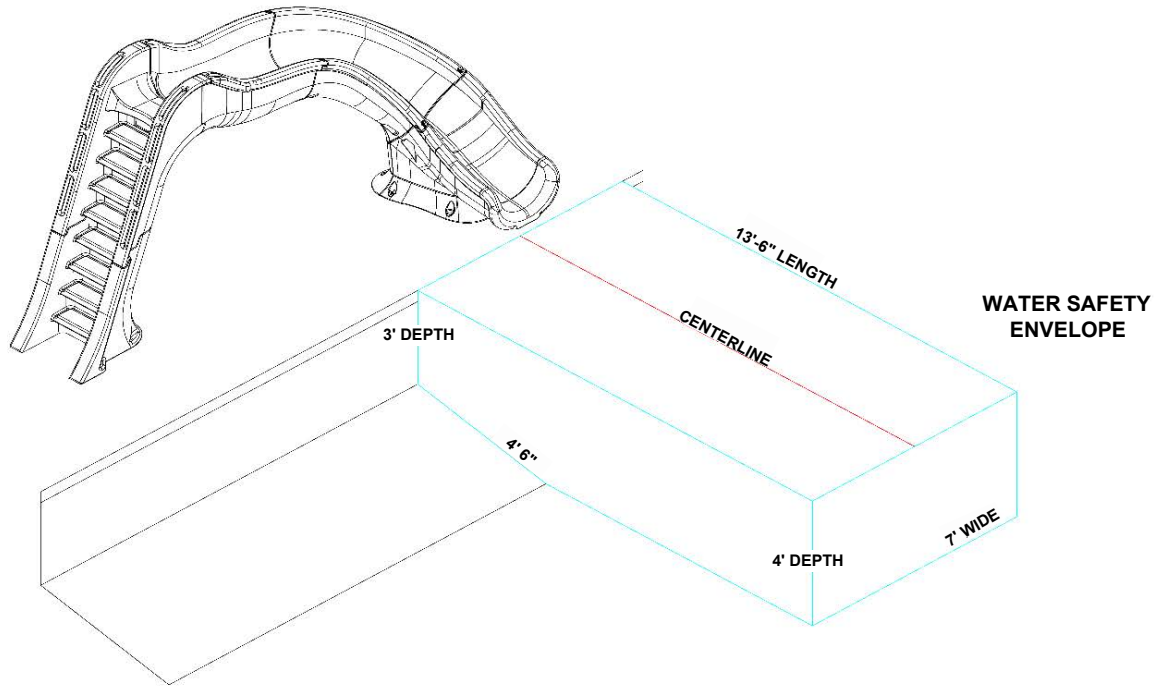
Required Deck Space: 13' 6" x 6' 0"



The information contained in this document is proprietary and confidential to Global Pool Products and not to be reproduced without written consent from Global Pool Products



# Side Winder Water Safety Envelope



The information contained in this document is proprietary and confidential to Global Pool Products and not to be reproduced without written consent from Global Pool Products

