

Splash Slide Specifications

Product Numbers and Shipping Weights:

Model Number	Description	Shipping Weights
GPPSSP-GREY-R	Splash – Grey Granite Right	210 lbs (95.6 kg)
GPPSSP-SAND-R	Splash – Sandstone Granite Right	210 lbs (95.6 kg)
GPPSSP-GREY-R-LED	Splash – Grey Granite Right w/ Light Pkg	220 lbs (99.8 kg)
GPPSSP-SAND-R-LED	Splash – Sandstone Granite Right w/ Light Pkg	220 lbs (99.8 kg)

Broad Description:

The Splash Slide is a sturdy, durable roto-molded slide with enclosed plumbing for a clean finished look. The Splash is available in Sandstone or Grey Granite finishes.

Utilization:

The Splash is intended for in-ground residential swimming pools only. Our multi-point anchoring system allows the Splash to accommodate most geographical regions. The slide is rated for a maximum of 175 lb. (79 kg) for its riders.

Specifications:

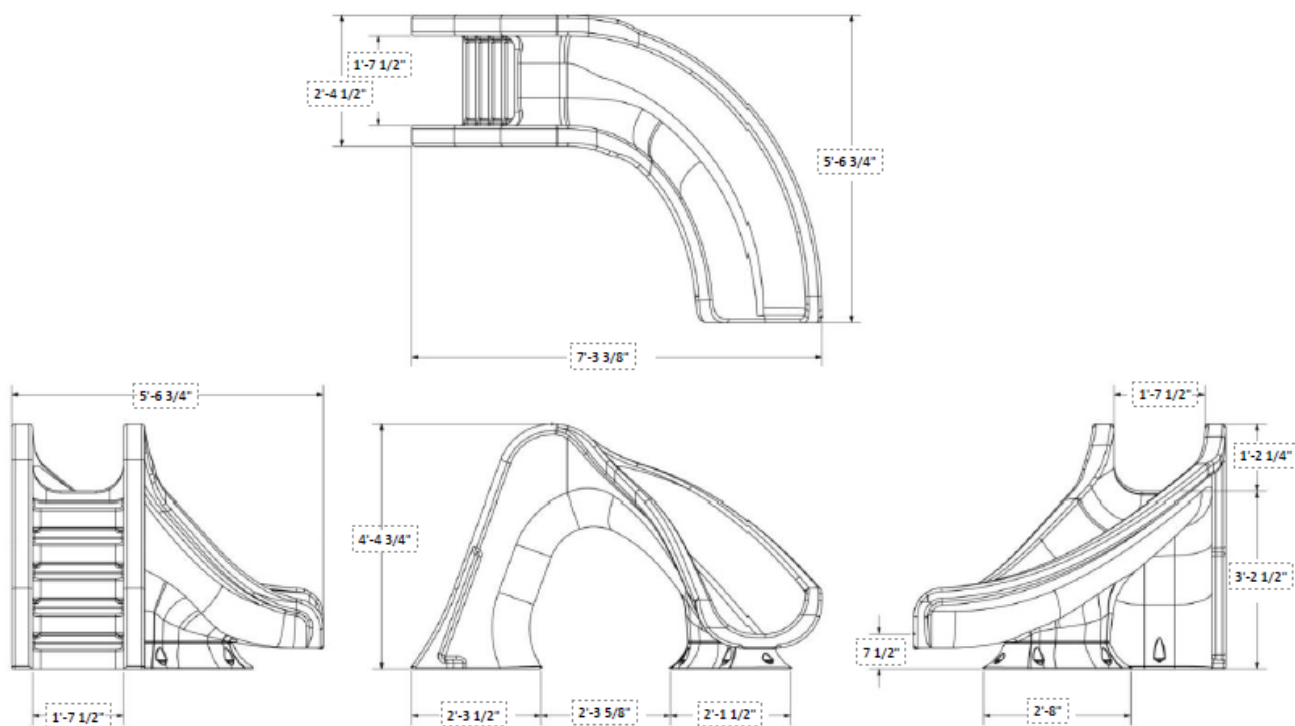
- § The ladder is enclosed with five (5) coping style steps for a safe and easy climbing.
- § The two (2) handrails are roto-molded into the ladder with two (2) optional widths for a comfortable climb for most riders.
- § The slide runway has a twenty (20) inch wide seating area made of a thick, durable roto-molded plastic.
- § The water delivery system is enclosed within the roto-molded ladder for a clean look. Water is delivered with a 1" PVC hose to allow maximum water coverage on the flume at 25 gpm.
- § The Splash is anchored to the pool deck with ½" diameter stainless anchor studs with attaching hardware.

The information contained in this document is proprietary and confidential to Global Pool Products and not to be reproduced without written consent from Global Pool Products



Splash Slide Specifications

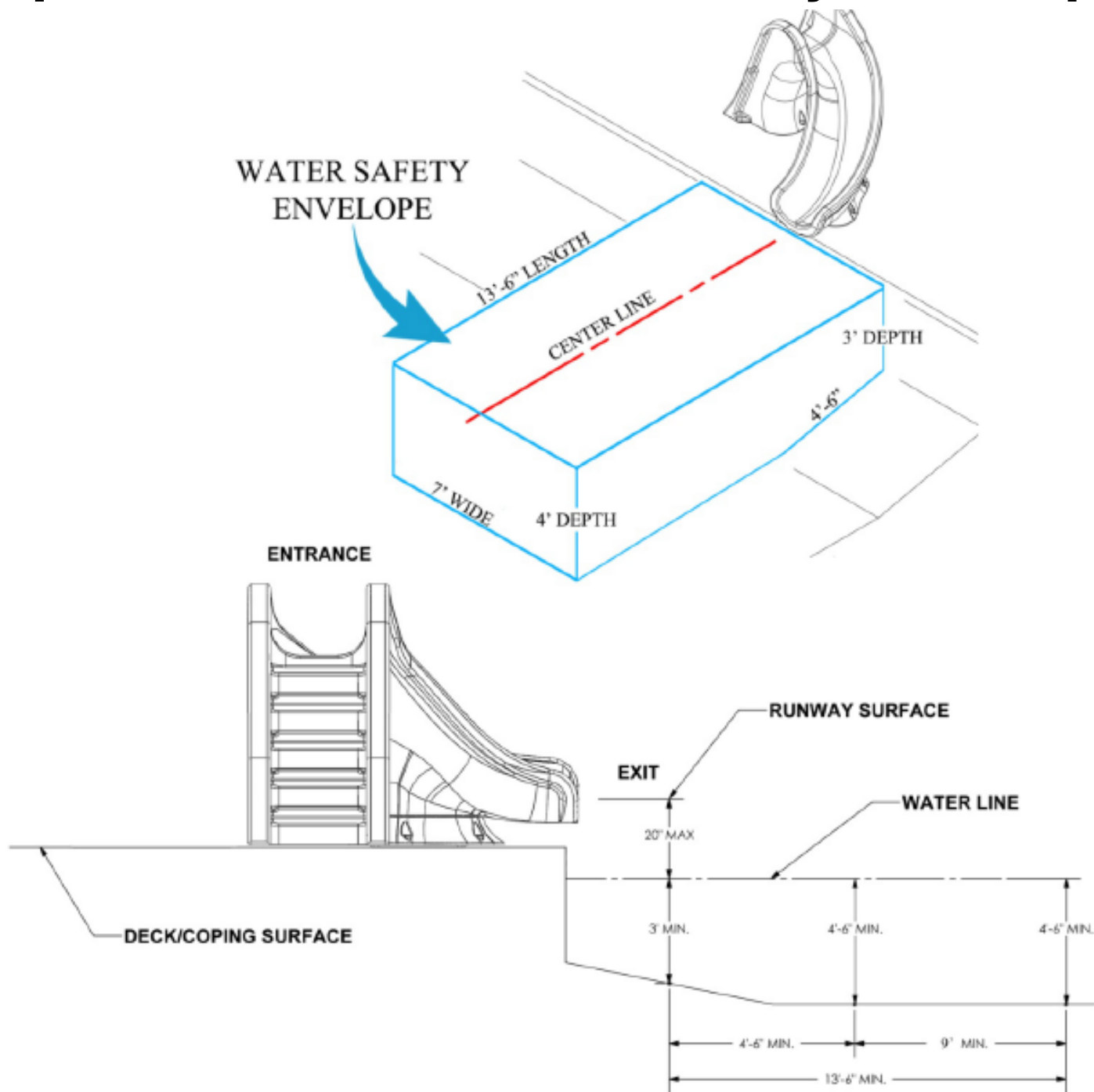
Height: 4' 2"
 Flume Length: 7' 9"
 Flume Width: 20"
 Required Deck Space: 7' 4" x 5' 6"



The information contained in this document is proprietary and confidential to Global Pool Products and not to be reproduced without written consent from Global Pool Products



Splash Slide Water Safety Envelope



The information contained in this document is proprietary and confidential to Global Pool Products and not to be reproduced without written consent from Global Pool Products

