

FLOWSTAR® SKIMMER WITH NARROW 9" DEEP THROAT, FLOAT ASSEMBLY, BASKET, LID, ADJUSTABLE COLLAR FOR VINYL AND FIBERGLASS



Built in conformance with NSF 50 and SPS 3 standards



FEATURES

- Designed for commercial and residential use, 15 GPM min, 90 GPM max
- For steel and polymer vinyl wall applications and fiberglass
- Includes stainless steel hardware for all applications
- Adjustable collar
- Weir clip lock secures the clips in the weir door
- Large self-contained basket with lock-in feature (will not float)
- Pre-installed O-ring for float assembly
- Underwater dampers on the faceplate for noise reduction on weir plate – especially on windy days
- Super strong engineered polymer upper housing
- Extra heavy-duty PVC lower unit (does not require transitional glue)
- 2½" outside slip; 2" inside slip (outside skimmer)
- 2" threads for pressure testing (inside skimmer)
- Built-in overflow or fill line knock-out
- Upper housing has pre-cut rebar cutouts with pre-drilled holes for tie wire
- Additional box inside skimmer box for a basket, float assembly and weir plate (so assembly does not get lost on job site)
- Skimmer Lid and Collar G154 UV tested
- Optional custom name/logo engraved on the lid (requires minimum 500 piece lid order)
- Designed to work with all existing vinyl liner pool walls
- 1 per case

Two additional lid options available (sold separately): square or snap-in round/square



Comes with easy clip spacers for steel wall applications

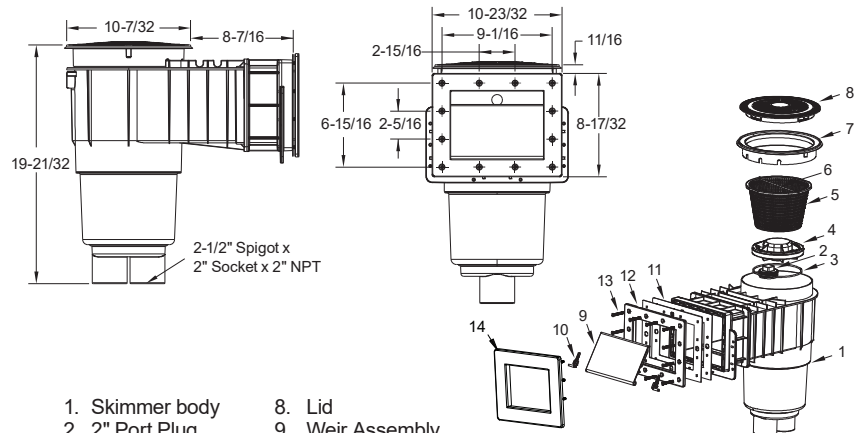
Part # SKRVFL3Nxxx

STANDARD COLORS

- SKRVFL3N101 – White
- SKRVFL3N103 – Light Gray
- SKRVFL3N105 – Dark Gray

- Snap-in Round/Square Lid and Collar (sold separately) p/n SK65xxx, 8 per case
- Without lid/collar – white only p/n SKRVFL3NNL01 (vinyl with float assembly) 1 per case
- Also available with square lid and collar p/n SKRVFL364Nxxx, 1 per case
- Also available bonded with square lid and collar p/n SKRVFL364NxxxB, 1 per case
See page 39 for bonded option
- NOTICE: For NSF certified skimmers, please contact your AquaStar Sales Representative. Lid, float valve, 4" socket, and 6" socket options are not NSF certified.*

SPS 3 & NSF 50 Compliant



- | | |
|-------------------|--|
| 1. Skimmer body | 8. Lid |
| 2. 2" Port Plug | 9. Weir Assembly |
| 3. O-Ring | 10. Weir Clip, Qty 2 |
| 4. Float Assembly | 11. Gasket, Extender 9" And 12", Qty 2 |
| 5. Basket | 12. Face Frame, Extender 9" And 12" |
| 6. Skimmer Rod | 13. 12 x 1-3/4" Flat Head Phillips, 316 SS, Qty 12 |
| 7. Collar | 14. Decorative Cover |

ADDITIONAL PRODUCT CONFIGURATIONS FOR SKRVFL3NXXX

9" Ultra Basket

Designed for commercial and residential use, 15 GPM min, 90 GPM max

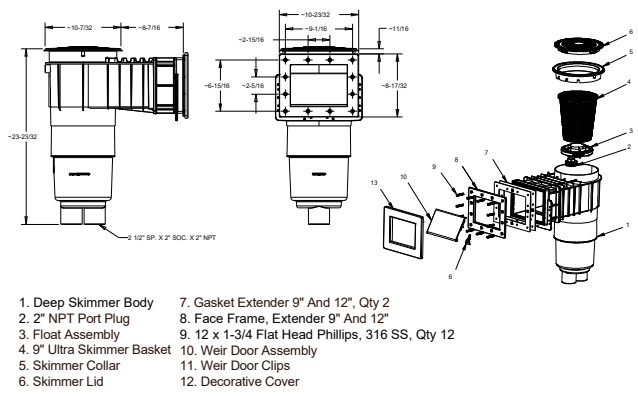
Available 2" Socket Dual-Port, 4" Socket, 6" Socket, and Water Bonded

Example: SKRVFL3N101D-L= White Flow Star® Skimmer with 4" Socket Sump and 9" Ultra Basket

1 per case

STANDARD COLORS

- SKRVFL3N101-L – White
- SKRVFL3N103-L – Light Gray
- SKRVFL3N105-L – Dark Gray



Water Bonded

Designed for commercial and residential use, 15 GPM min, 90 GPM max

Bonding plate and copper wire connection meet NEC section 680.2 C.

Conforms to UL 1081, UL 1563, CAN/CSA-C22.2

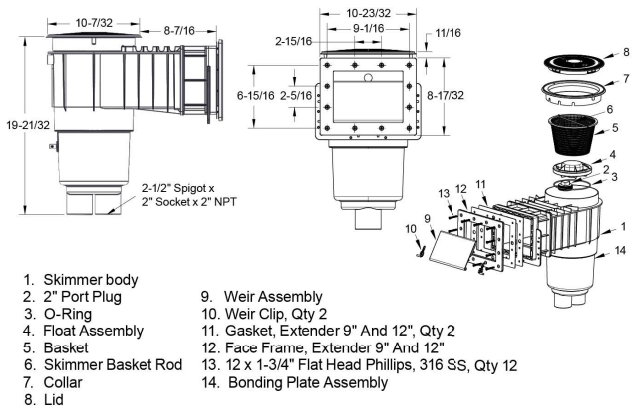
Bonding plate is safely placed behind the skimmer basket, for constant water contact, even when the pump is off

1 per case

Also available with square lid and collar p/n SKRVFL364NxxxB

STANDARD COLORS

- 101
- 103
- 105



ADDITIONAL PORT CONFIGURATIONS FOR SKRVFL3NXXX, SKRVFL3NXXX-L, SKRVFL18XXX, AND SKRVFL18XXX-L

4" Socket Sump

Extra heavy duty PVC lower unit (no transitional glue required)

Standard
Part # SKRVFL3NxxxD

9" Ultra Basket
Part # SKRVFL3NxxxD-L

1 per case



6" Socket Sump

Extra heavy duty PVC lower unit (no transitional glue required)

Standard
Part # SKRVFL3NxxxF

9" Ultra Basket
Part # SKRVFL3NxxxF-L

1 per case



SKIMMER ACCESSORIES

STANDARD COLORS



101



102



103



105

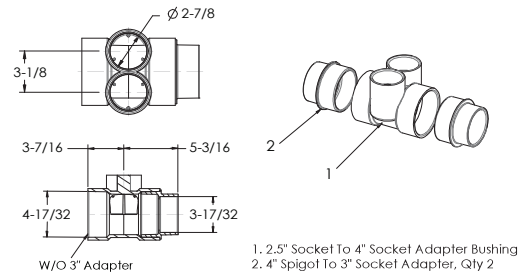
Adaptor Bushing

FEATURES

Eliminates the need to reduce down 4" or 3" plumbing when connecting to a skimmer with a dual-port PVC sump
 Converts two 2½" spigot to 4" or 3" T
 Includes two 4" x 3" reducer bushings
 Shown as an example only – parts are sold separately
 1 per case



Part # SKR1xx with BFB101



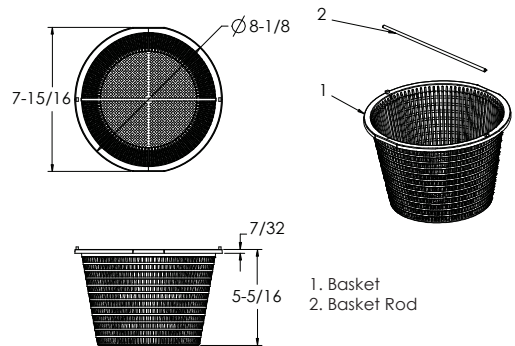
Skimmer Basket

FEATURES

Polypropylene basket locks in to remain in place during on and off pump cycles
 Fits all standard skimmers
 50 per case



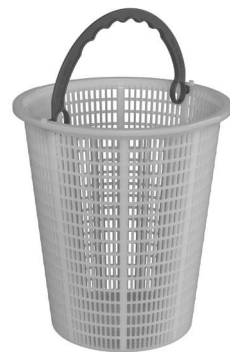
Part # SK6



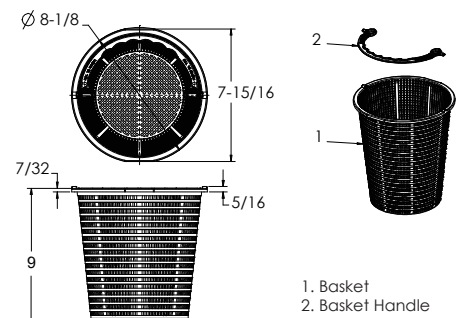
9" Ultra Skimmer Basket

FEATURES

9" polypropylene Ultra Basket locks in to remain in place during on and off pump cycles
 Fits all 9" Ultra Basket models
 50 per case



Part # SK96



SKIMMER ACCESSORIES

STANDARD COLORS



101



102



103



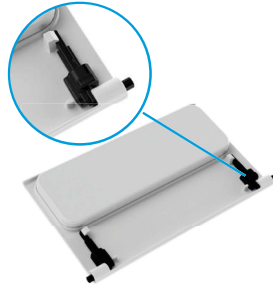
105

Weir Plate Assembly for Standard & Vinyl/Fiberglass Skimmers

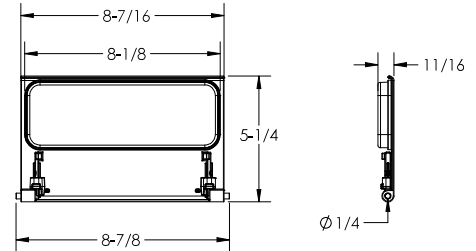
FEATURES

Includes weir clip locks to secure weir clips in place

Also available only weir clips, part # SK902
24 per case



Part # SKWDxxx



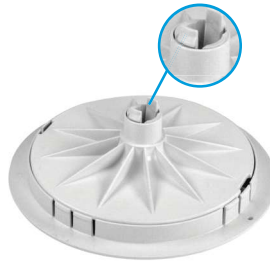
Vacuum Plate

FEATURES

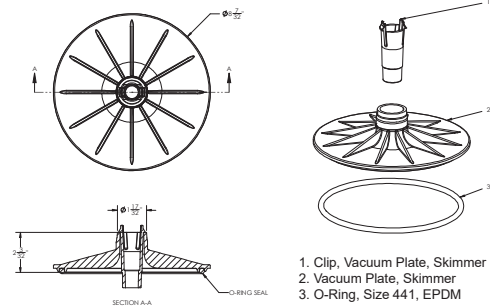
Snaps under skimmer lid for easy storage

White only

25 per case



Part # SK43101



Float Assembly

FEATURES

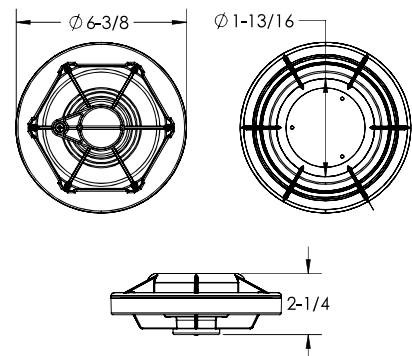
Includes O-ring gasket and flow adjustment flap

White only

24 per case



Part # SKFL101



SKIMMER ACCESSORIES

STANDARD COLORS



101



102



103



105



108

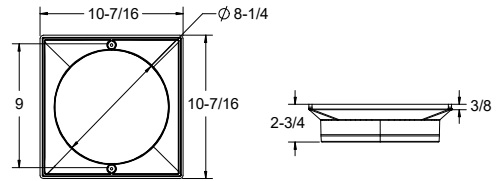
Square Skimmer Collar

FEATURES

Adjustable collar levels out uneven surfaces
Fits AquaStar and most standard skimmers
6 per case



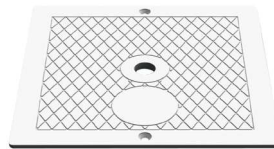
Part # SK61xxx



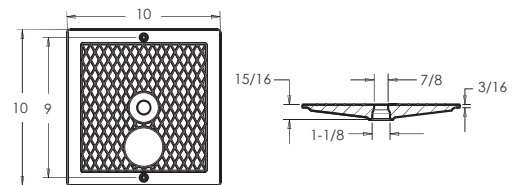
Square Skimmer Lid

FEATURES

UV tested to latest standard
Optional custom name/logo insert p/n SK63xxxA (minimum 500-piece order)
Fits AquaStar and most standard square skimmer collars
24 per case



Part # SK63xxx



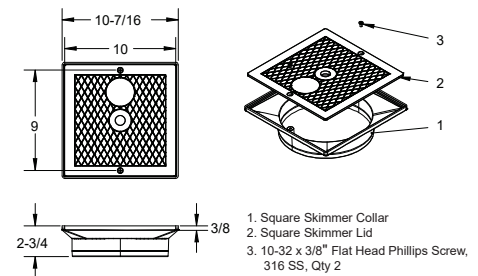
Square Skimmer Lid and Collar

FEATURES

UV tested to latest standard features
Optional custom name/logo insert p/n SK64xxxA (minimum 500 piece order)
Fits AquaStar and most standard skimmers
6 per case



Part # SK64xxx



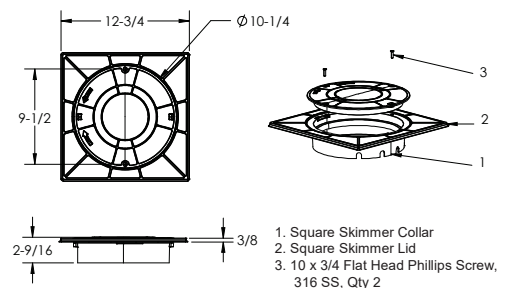
Round/Square Snap-in Lid and Collar

FEATURES

Round lid snaps into square housing
UV tested to latest standard
Optional custom name/logo insert p/n SK65xxxA (minimum 500-piece order)
Fits AquaStar and most standard skimmers
8 per case



Part # SK65xxx



SKIMMER ACCESSORIES

STANDARD COLORS



101



102



103



105



108

Round Skimmer Lid

FEATURES

UV tested to latest standard

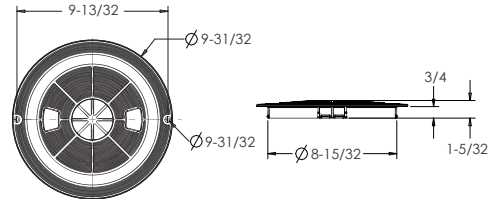
Optional custom name/
logo insert p/n RTxxxA
(min 500 piece order)

Fits AquaStar and most standard round
skimmer collars

25 per case



Part # RTxxx



Adjustable Round Skimmer Collar

FEATURES

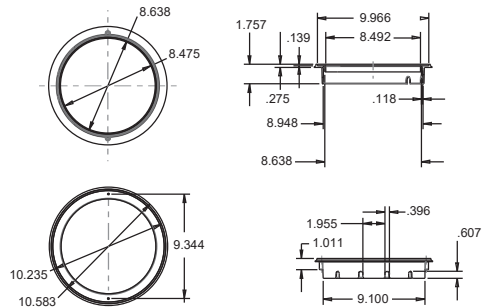
Adjustable collar levels
out uneven surfaces

Fits AquaStar and most standard
skimmers

20 per case



Part # SK5xxx



Round Skimmer Lid and Collar

FEATURES

UV tested to latest standard

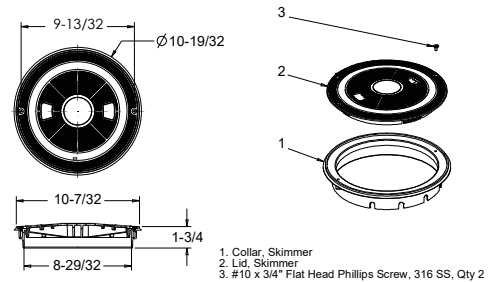
Optional custom name/logo insert p/n
SKRTxxxA (min 500 piece order)

Fits AquaStar and most standard
skimmers

25 per case



Part # SKRTxxx



3" Skimmer Extension Collar

FEATURES

Stack multiple collars to reach desired
deck or bond beam height

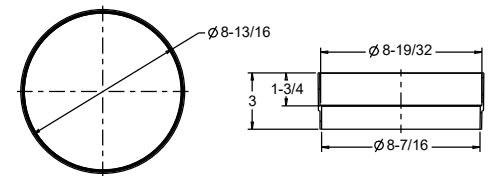
Fits into AquaStar and most standard
round skimmer collars

Available in white (101) and light gray
only (103)

20 per case



Part # SECxxx



FILL-LID STANDARD 10" SKIMMER COVER AND FRAME



Make your skimmer or autofill cover vanish



FEATURES

- Unique fillable lid allows cover to virtually disappear with every deck finish.
- Adjustable frame levels out uneven surfaces
- Made with super strong engineered polymer tested to the latest GV154 UV standard
- Internal tabs keep finish in place
- 316 stainless steel screws
- Fits AquaStar and most standard skimmers
- 20 per case

NEW Fits all AquaStar skimmers and autofills and most standard skimmers

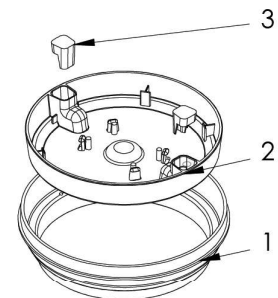
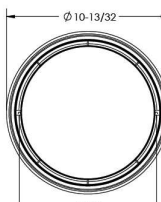
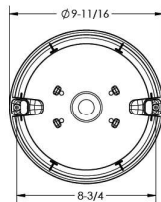
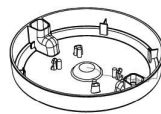


Virtually disappears with every deck finish

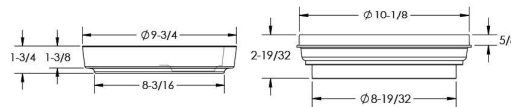
Part # FL10xxx

STANDARD COLORS

- FL10101 – White
- FL10103 – Light Gray
- FL10108 – Tan
- FL10100 – Clear



1. Frame
2. Fillable Cover
3. Handle Plaster Shield



- Also included
4. 10 x 3/8 Pan Head Phillips, 316 SS, Qty 2