



SelectaFlo™ Hi-Efficiency

2" x 2 1/2" Filter Control Valve

Owner's Manual

Model: SP0425

TURN OFF PUMP BEFORE CHANGING VALVE POSITION



Contents

Product Specific Warnings.....2

Installation.....4

Valve Positioning.....4

Maintenance.....5

Replacement Parts.....7

Warranty & Registration8

IMPORTANT SAFETY INSTRUCTIONS

Basic safety precautions should always be followed, including the following: Failure to follow instructions can cause severe injury and/or death.

⚠ This is the safety-alert symbol. When you see this symbol on your equipment or in this manual, look for one of the following signal words and be alert to the potential for personal injury.

⚠ WARNING warns about hazards that **could** cause serious personal injury, death or major property damage and if ignored presents a potential hazard.

⚠ CAUTION warns about hazards that **will** or **can** cause minor or moderate personal injury and/or property damage and if ignored presents a potential hazard. It can also make consumers aware of actions that are unpredictable and unsafe.

The **NOTICE** label indicates special instructions that are important but not related to hazards.

SAVE THIS INSTRUCTION MANUAL

Hayward Pool Products
 620 Division Street, Elizabeth, NJ 07207
 Phone: (908) 355-7995
WWW.HAYWARD.COM



HAYWARD®



WARNING – Read, understand and follow all instructions in this owner’s manual and on the equipment. Failure to follow instructions can cause severe injury and/or death.

WARNING – Suction Entrapment Hazard.

Suction in suction outlets and/or suction outlet covers which are, damaged, broken, cracked, missing, or unsecured can cause severe injury and/or death due to the following entrapment hazards:



Hair Entrapment- Hair can become entangled in suction outlet cover.



Limb Entrapment- A limb inserted into an opening of a suction outlet sump or suction outlet cover that is damaged, broken, cracked, missing, or not securely attached can result in a mechanical bind or swelling of the limb.



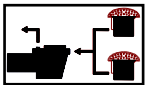
Body Suction Entrapment- A negative pressure applied to a large portion of the body or limbs can result in an entrapment.

Evisceration/ Disembowelment - A negative pressure applied directly to the intestines through an unprotected suction outlet sump or suction outlet cover which is, damaged, broken, cracked, missing, or unsecured can result in evisceration/ disembowelment.



Mechanical Entrapment- There is potential for jewelry, swimsuits, hair decorations, fingers, toes or knuckles to be caught in an opening of a suction outlet cover resulting in mechanical entrapment.

WARNING - To Reduce the risk of Entrapment Hazards:



- When outlets are small enough to be blocked by a person, a minimum of two functioning suction outlets per pump must be installed. Suction outlets in the same plane (i.e. floor or wall), must be installed a minimum of three feet (3') [1 meter] apart, as measured from near point to near point.
- Dual suction fittings shall be placed in such locations and distances to avoid “dual blockage” by a user.
- Dual suction fittings shall not be located on seating areas or on the backrest for such seating areas.
- The maximum system flow rate shall not exceed the flow rating as listed on the suction outlet cover.
- Never use Pool or Spa if any suction outlet component is damaged, broken, cracked, missing, or not securely attached.
- Replace damaged, broken, cracked, missing, or not securely attached suction outlet components immediately.
- In addition, two or more suction outlets per pump installed in accordance with latest ASME, APSP Standards and CPSC guidelines, follow all National, State, and Local codes applicable.
- Installation of a vacuum release or vent system, which relieves entrapping suction, is recommended.

WARNING – Failure to remove pressure test plugs and/or plugs used in winterization of the pool/spa from the suction outlets can result in an increased potential for suction entrapment as described above.

WARNING – Failure to keep suction outlet components clear of debris, such as leaves, dirt, hair, paper and other material can result in an increase potential for suction entrapment as described above.

WARNING – Suction outlet components have a finite life: the cover/grate should be inspected frequently and replaced at least every seven years or if found to be damaged, broken, cracked, missing, or not securely attached.

CAUTION – Components such as the filtration system, pumps and heater must be positioned so as to prevent their being used as means of access to the pool by young children. To reduce risk of injury, do not permit children to use or climb on this product. Closely supervise children at all times. Components such as the filtration system, pumps, and heaters must be positioned to prevent children from using them as a means of access to the pool.



WARNING – Hazardous Pressure. Pool and spa water circulation systems operate under hazardous pressure during start up, normal operation, and after pump shut off. Stand clear of circulation system equipment during pump start up. Failure to follow safety and operation instructions could result in violent separation of the pump housing and cover, and/or filter housing and lock ring due to pressure in the system, which could cause property damage, severe personal injury, or death. Before servicing pool and spa water circulation system, all system and pump controls must be in off position and filter manual air relief valve must be in open position. Before starting system pump, all system valves must be set in a position to allow system water to return back to the pool. Do not change filter control valve position while system pump is running. Before starting system pump, fully open filter manual air relief valve. Do not close filter manual air relief valve until a steady stream of water (not air or air and water) is discharged.



WARNING – Separation Hazard. Failure to follow safety and operation instructions could result in violent separation of pump and/or filter components. Strainer cover must be properly secured to pump housing with strainer cover lock ring. Before servicing pool and spa circulation system, filters manual air relief valve must be in open position. Do not operate pool and spa circulation system if a system component is not assembled properly, damaged, or missing. **Never operate or test the circulation system at more than 50 PSI. Do not purge the system with compressed air.** Purging the system with compressed air can cause components to explode, with risk of severe injury or death to anyone nearby. Use only a low pressure (below 5 PSI), high volume blower when air purging the pump, filter, or piping.



HAYWARD®



⚠ WARNING – Risk of Electric Shock. All electrical wiring **MUST** be in conformance with applicable local codes, regulations, and the National Electric Code (NEC). Hazardous voltage can shock, burn, and cause death or serious property damage. To reduce the risk of electric shock, do **NOT** use an extension cord to connect unit to electric supply. Provide a properly located electrical receptacle. Before working on any electrical equipment, turn off power supply to the equipment. To reduce the risk of electric shock replace damaged wiring immediately. Locate conduit to prevent abuse from lawn mowers, hedge trimmers and other equipment. Do **NOT** ground to a gas supply line.

⚠ WARNING – Risk of Electric Shock. Failure to ground all electrical equipment can cause serious or fatal electrical shock hazard. Electrically ground all electrical equipment before connecting to electrical power supply.

⚠ WARNING – Risk of Electric Shock. Failure to bond all electrical equipment to pool structure will increase risk for electrocution and could result in injury or death. To reduce the risk of electric shock, see installation instructions and consult a professional electrician on how to bond all electrical equipment. Also, contact a licensed electrician for information on local electrical codes for bonding requirements.

Notes to electrician: Use a solid copper conductor, size 8 or larger. Run a continuous wire from external bonding lug to reinforcing rod or mesh. Connect a No. 8 AWG (8.4 mm²) [No. 6 AWG (13.3 mm²) for Canada] solid copper bonding wire to the pressure wire connector provided on the electrical equipment and to all metal parts of swimming pool, spa, or hot tub, and metal piping (except gas piping), and conduit within 5 ft. (1.5 m) of inside walls of swimming pool, spa, or hot tub.

IMPORTANT - Reference NEC codes for all wiring standards including, but not limited to, grounding, bonding and other general wiring procedures.

⚠ WARNING – Risk of Electric Shock. The electrical equipment must be connected only to a supply circuit that is protected by a ground-fault circuit-interrupter (GFCI). Such a GFCI should be provided by the installer and should be tested on a routine basis. To test the GFCI, push the test button. The GFCI should interrupt power. Push reset button. Power should be restored. If the GFCI fails to operate in this manner, the GFCI is defective. If the GFCI interrupts power to the electrical equipment without the test button being pushed, a ground current is flowing, indicating the possibility of an electrical shock. Do not use this electrical equipment. Disconnect the electrical equipment and have the problem corrected by a qualified service representative before using.

⚠ CAUTION – HAYWARD® pumps are intended for use with permanently-installed pools and may be used with hot tubs and spas if so marked. Do not use with storable pools. A permanently-installed pool is constructed in or on the ground or in a building such that it cannot be readily disassembled for storage. A storable pool is constructed so that it is capable of being readily disassembled for storage and reassembled to its original integrity.

⚠ WARNING – Risk of Hyperthermia. To avoid hyperthermia the following “Safety Rules for Hot Tubs” are recommended by the U.S. Consumer Product Safety Commission.

1. Spa or hot tub water temperatures should never exceed 104°F [40°C]. A temperature of 100°F [38°C] is considered safe for a healthy adult. Special caution is suggested for young children. Prolonged immersion in hot water can induce hyperthermia.
2. Drinking of alcoholic beverages before or during spa or hot tub use can cause drowsiness, which could lead to unconsciousness and subsequently result in drowning.
3. Pregnant women beware! Soaking in water above 100°F [38°C] can cause fetal damage during the first three months of pregnancy (resulting in the birth of a brain-damaged or deformed child). Pregnant women should adhere to the 100°F [38°C] maximum rule.
4. Before entering the spa or hot tub, users should check the water temperature with an accurate thermometer; spa or hot tub thermostats may err in regulating water temperatures by as much as 4°F (2.2°C).
5. Persons taking medications, which induce drowsiness, such as tranquilizers, antihistamines or anticoagulants, should not use spas or hot tubs.
6. If the pool/spa is used for therapy, it should be done with the advice of a physician. Always stir pool/ spa water before entering the pool/spa to mix in any hot surface layer of water that might exceed healthful temperature limits and cause injury. Do not tamper with controls, because scalding can result if safety controls are not in proper working order.
7. Persons with a medical history of heart disease, circulatory problems, diabetes or blood pressure problems should obtain a physician’s advice before using spas or hot tubs.
8. Hyperthermia occurs when the internal temperature of the body reaches a level several degrees above normal body temperature of 98.6°F [37°C]. The symptoms of Hyperthermia include: drowsiness, lethargy, dizziness, fainting, and an increase in the internal temperature of the body.

The effects of Hyperthermia include:

1. Unawareness of impending danger.
2. Failure to perceive heat.
3. Failure to recognize the need to leave the spa.
4. Physical inability to exit the spa.
5. Fetal damage in pregnant women.
6. Unconsciousness resulting in danger of drowning.

SAVE THESE INSTRUCTIONS

Installation

The SP0425 SelectaFlo™ Hi-Efficiency valve is designed for Hayward ProGrid® and DEP500 series filters. Using the union connections built into the SelectaFlo™ valve, attach the valve to the filter as shown in Figure 1, **union nuts to be hand tightened ONLY**. The PUMP, RETURN, and WASTE ports are 2” socket x 2 1/2” spigot (solvent weld) connections. For 2 1/2” piping, a standard 2 1/2” x 2 1/2” coupling is required. The supplied elbow can be used on the WASTE port to direct waste piping away from the equipment pad. **Proper Solvent Cementing practices as outlined in ASTM D2855 and ASTM F493 should be followed.**

For simple and efficient plumbing from TriStar® or EcoStar® series pumps, use the included EcoFlo union fitting from the PUMP outlet to the PUMP port on valve as shown in Figure 2.



Figure 1

Union Connection between filter and valve

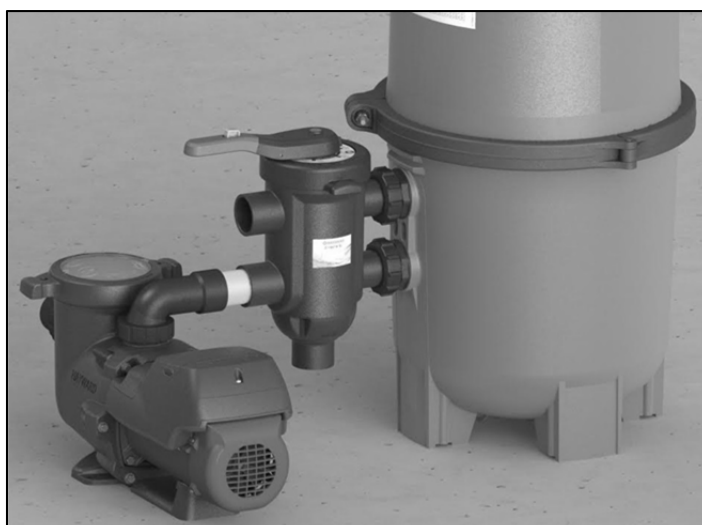


Figure 2

EcoFlo union fitting from pump to valve

Function of Valve Positions



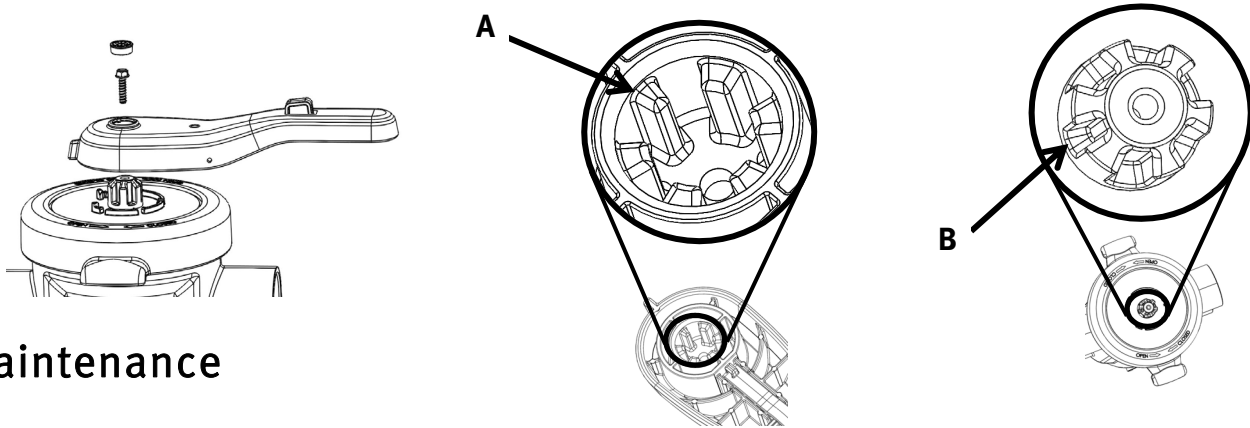
**ALWAYS TURN OFF PUMP
BEFORE CHANGING VALVE POSITION**

VALVE SETTING	FLOW DIRECTION THROUGH VALVE
FILTER	PUMP – THROUGH FILTER – RETURN For normal filtration and vacuuming pool through filter.
BACKWASH	PUMP – THROUGH FILTER – WASTE For cleaning filter.
WASTE	PUMP – THROUGH VALVE ONLY – WASTE For vacuuming directly to waste, lowering pool level and/or draining pool.
RECIRCULATE	PUMP – THROUGH VALVE – RETURN For bypassing filter, but circulating pool water.



Handle Installation

Secure handle to valve shaft by aligning thin tooth “A”, on handle, with the thin slot “B”, on valve shaft. Insert screw into top of handle as shown and tighten with a 3/8” socket and ratchet. Align handle plug and press into valve handle to cover the screw and complete assembly.

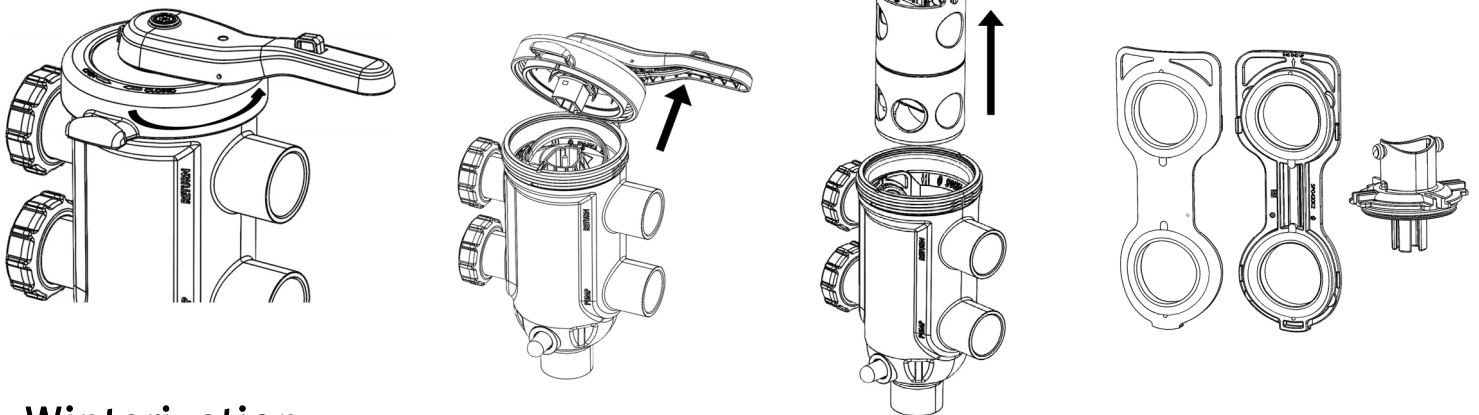


Maintenance

For increased operational life cycle, service valve when performing annual filter maintenance by removing dirt and debris from internal components and replacing worn sealing components.

Disassembly Instructions

1. Turn OFF pump before disassembling Filter Control Valve. Unscrew locking counterclockwise for removal of the cover assembly.
2. Remove cover assembly
TIP: If cover assembly is difficult to remove, rock the base of the handle back and forth while pulling upwards.
3. Using valve hub handle, lift hub assembly out of valve body.
4. Remove seal carriers and check for wear. Replace worn or damaged components with Hayward replacement parts.

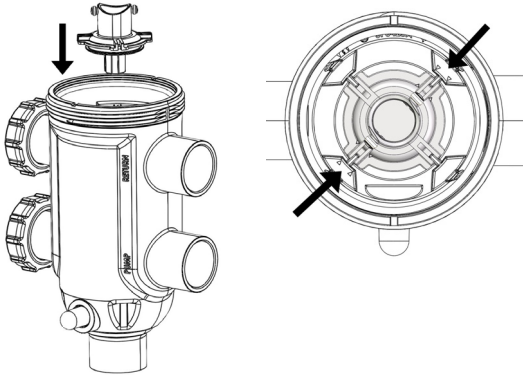


Winterization

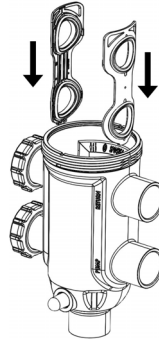
To winterize valve, disassemble valve following above disassembly instructions. With hub removed, rotate hub such that all open ports face downward to drain all residual water from internal passages.

Assembly Instructions

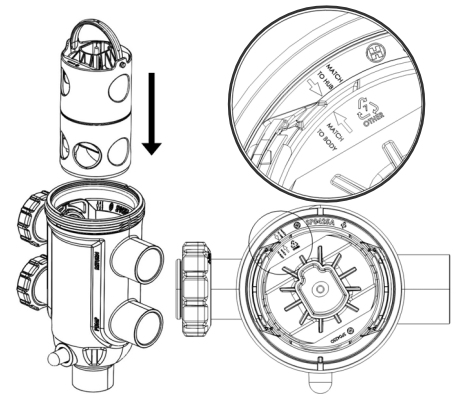
1. Install waste port seal carrier by aligning locating features on waste port seal carrier to locating features on valve body and pressing down firmly into position.



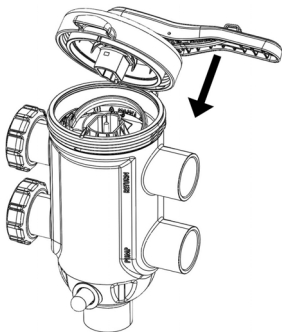
2. Lubricate inward facing seals of seal carrier with silicon lubricant then install seal carriers by firmly pressing them down into their respective slots in valve body until seated.



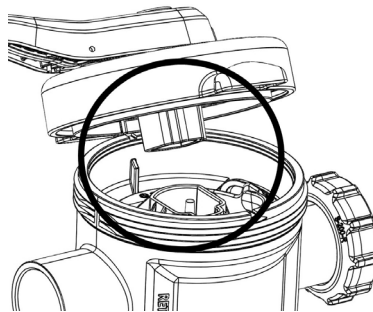
3. Install hub assembly into valve body by aligning locating features on hub assembly to locating features on valve body, pressing down into valve body and ensuring waste port seal is engaged.



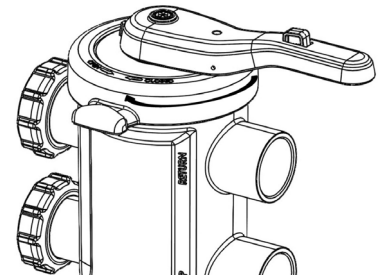
4. Fold down valve hub handle and install cover assembly.



TIP: Align locating features between cover assembly and housing assembly.

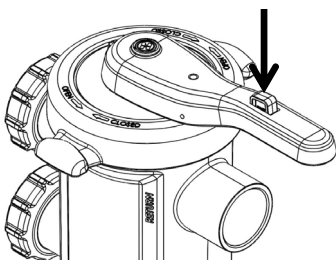


5. Install lockring, screw clockwise to tighten.

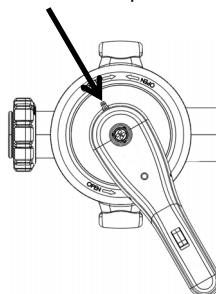


Operating Instructions

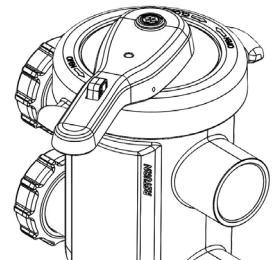
1. Turn pump off before operating valve. Depress button on handle to release latch.



2. While depressing button, rotate handle until indicator reaches desired valve position.

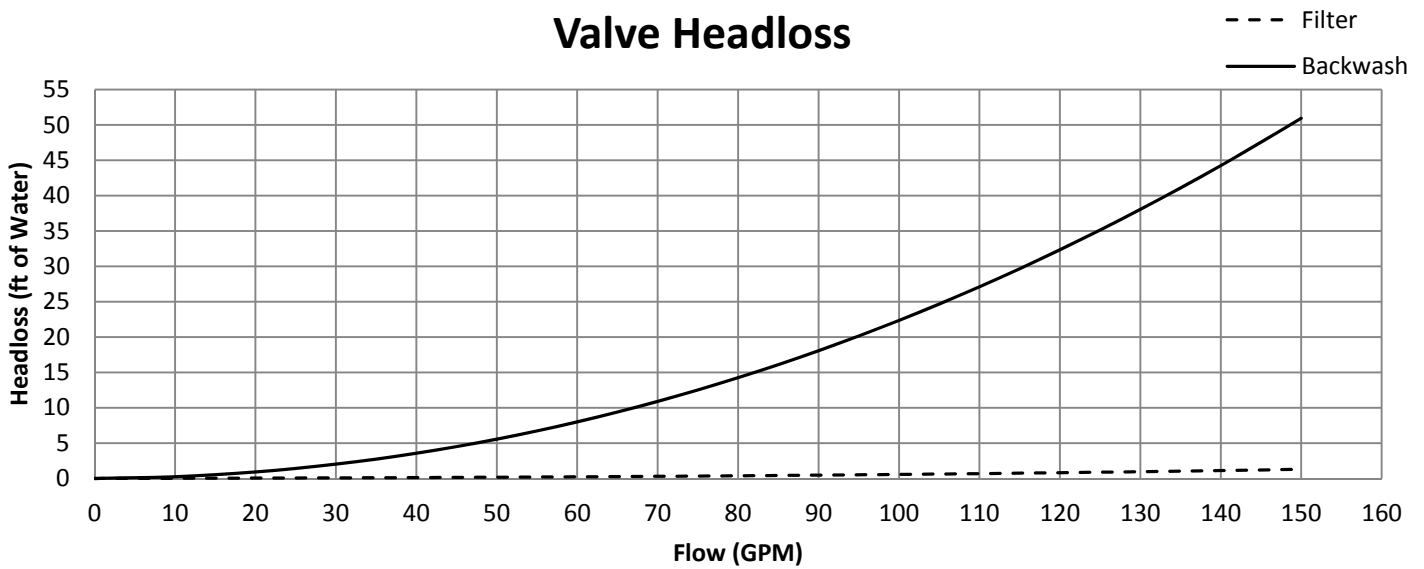


3. Release button, allowing latch to lock handle into position.

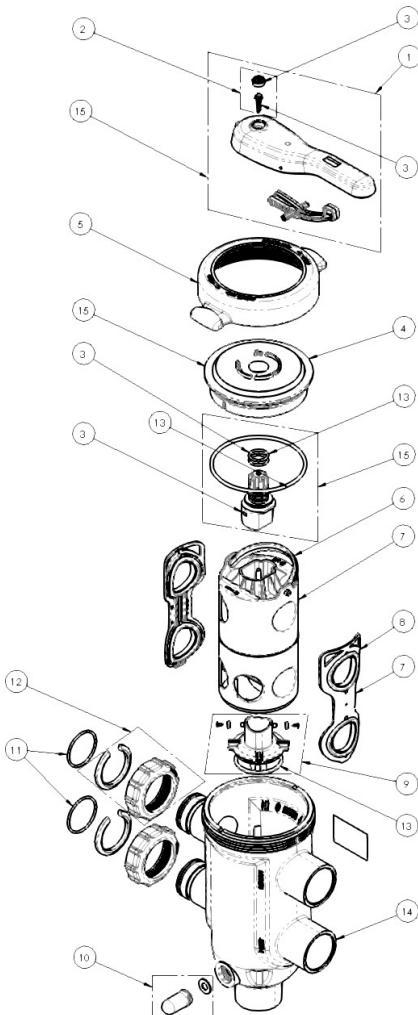




Valve Headloss



Replacement Parts



ITEM	Part #	Description	QTY
1	SPX0425GH	HANDLE WITH LATCH, SCREW, HANDLE PLUG	1
2	SPX0425Z3	SCREW FOR HANDLE, HANDLE PLUG	1
3	SPX0425E	VALVE SHAFT WITH "O"-RINGS, SCREW AND HANDLE PLUG	1
4	SPX0425C	VALVE COVER	1
5	SPX0425B	LOCKRING WITH LATCH	1
6	SPX0425D3	VALVE HUB HANDLE	1
7	SPX0425D	VALVE HUB WITH HUB HANDLE AND SEAL CARRIERS	1
8	SPX0425KPAK2	SEAL CARRIER (SET OF 2)	1
9	SPX0425MPA	WASTE PORT SEAL CARRIER ASSEMBLY	1
10	SPX0710MA	SIGHT GLASS WITH GASKET	1
11	SX200Z4PAK2	VALVE O-RING (SET OF 2) (FOR UNIONS)	1
12	SPX0425L	UNION SNAP RING AND NUT (QTY 1 EACH)	2
13	SPX0425Z2	O-RING SEAL KIT (SHAFT, COVER, WP SEAL)	1
14	SPX0425A	VALVE BODY	1
15	SPX0425BCE	HANDLE, LATCH, SHAFT, COVER, SCREW, HANDLE PLUG, SHAFT "O"-RINGS AND COVER "O"-RING	1



Válvula de control de filtro de 2 plg. x 2 1/2 plg. SelectaFlo™ de alta eficiencia

Manual del propietario

Modelo: SPo425

APAGUE LA BOMBA ANTES DE CAMBIAR LA POSICIÓN DE LA VÁLVULA



INSTRUCCIONES IMPORTANTES DE SEGURIDAD

Las precauciones de seguridad básicas, entre las cuales se encuentran las siguientes se deben seguir siempre: No seguir las instrucciones puede causar lesiones graves y/o muerte.

⚠ Este es el símbolo de alerta de seguridad. Cuando vea este símbolo en su equipo o en este manual, busque una de las siguientes palabras de señalización y esté atento a posibles lesiones personales.

⚠ ADVERTENCIA advierte sobre peligros que **podrían** causar lesiones personales graves, muerte o grandes daños a la propiedad y, si se ignoran, presentan un peligro posible.

⚠ PRECAUCIÓN advierte sobre peligros que **causarán** o **pueden** causar lesiones personales leves o moderadas y/o daños a la propiedad y, si se ignoran, presentan un peligro posible. También puede conducir a que los consumidores tomen conciencia de actos con consecuencias impredecibles y peligrosas.

La etiqueta **AVISO** La etiqueta de AVISO indica que hay instrucciones especiales importantes pero no relacionadas con peligros.

GUARDE ESTE MANUAL DE INSTRUCCIONES

Hayward Pool Products
620 Division Street, Elizabeth, NJ 07207
Tel.: (908) 355-7995
WWW.HAYWARD.COM



ADVERTENCIA – Lea, comprenda y siga todas las instrucciones que se encuentran en este manual del propietario y en el equipo. No seguir las instrucciones puede causar lesiones graves y/o muerte.

ADVERTENCIA – Peligro de atrapamiento por succión.

La succión en las tomas de succión y/o en las cubiertas de toma de succión dañadas, rotas, partidas, faltantes o sueltas puede causar lesiones graves y/o muerte debido a los siguientes riesgos de atrapamiento:



Atrapamiento de pelo: El pelo puede enredarse en la cubierta de la toma de succión.



Atrapamiento de extremidades: Una extremidad insertada en una abertura de sumidero de toma de succión o una tapa de toma de succión dañada, rota, partida, faltante o suelta puede causar atascamiento mecánico o hinchazón de la extremidad.



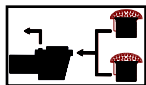
Atrapamiento de succión de cuerpo: La presión negativa aplicada a una gran parte del cuerpo o a las extremidades puede causar atrapamiento.



Evisceración o destripamiento: La presión negativa aplicada directamente a los intestinos a través de un sumidero de toma de succión sin protección o una tapa de toma de succión dañada, rota, partida, faltante o suelta puede causar evisceración o destripamiento.

Atrapamiento mecánico: Las joyas, los trajes de baño, los adornos para el pelo, los dedos de los pies o los nudillos pueden atascarse en una abertura de cubierta de toma de succión y causar atrapamiento mecánico.

ADVERTENCIA - Para reducir los riesgos de atrapamiento:



- Cuando las salidas sean lo suficientemente pequeñas como para ser bloqueadas por una persona, se debe instalar un mínimo de dos tomas de succión activas por bomba. Las tomas de succión en el mismo plano (es decir, el piso o la pared) deben instalarse a un mínimo de un (1) metro [tres (3) pies] de distancia una de otra, medido de punto cercano a punto cercano.
- Se deben colocar accesorios de succión doble en tales lugares y a tales distancias para evitar el "doble bloqueo" por parte del usuario.
- Los accesorios de succión doble no deben ubicarse en lugares para sentarse o en el respaldo de tales lugares.
- La tasa de flujo máximo del sistema no debe superar el valor nominal de flujo indicado en la tapa de la toma de succión.
- Nunca use la piscina o el spa si algún componente de toma de succión falta o está dañado, roto, partido, o suelto.
- Reemplace inmediatamente los componentes de toma de succión que faltan o están rotos, partidos, o sueltos.
- Además, debe haber dos o más tomas de succión por bomba instaladas de acuerdo con las más recientes normas de la ASME, la APSP y la CPSC. Respete todos los códigos nacionales, estatales y locales aplicables.
- Se recomienda la instalación de un sistema de ventilación o neutralización de vacío que alivie la succión que pueda causar atrapamiento.

ADVERTENCIA – No quitarles los tapones de prueba de presión y/o de invierno a las tomas de succión de la piscina o el spa, puede aumentar el riesgo de atrapamiento por succión descrito.

ADVERTENCIA – No mantener los componentes de toma de succión libres de residuos tales como hojas, suciedad, pelo, papel, etc. puede aumentar el riesgo de atrapamiento por succión descrito.

ADVERTENCIA – Los componentes de las tomas de succión tienen una vida útil limitada: la cubierta/rejilla debe inspeccionarse con frecuencia y cambiarse al menos cada siete años o si se descubre que falta o que está dañada, rota, partida, o suelta.

PRECAUCIÓN – Los componentes tales como el sistema de filtración, las bombas y los calentadores deben colocarse de manera que los niños o niños pequeños no puedan subírseles para entrar a la piscina. Para reducir el riesgo de lesiones, no permita que los niños usen o se suban a estos dispositivos. Supervise de cerca a los niños en todo momento.

ADVERTENCIA – Presión peligrosa. Los sistemas de circulación de agua de piscinas y spas alcanzan y mantienen presiones peligrosas durante el arranque, el funcionamiento normal y después de apagados. Manténgase alejado del sistema de circulación durante el arranque de la bomba. No respetar las instrucciones de seguridad y funcionamiento puede causar una separación violenta del alojamiento y la cubierta de la bomba, y/o del alojamiento y el anillo de seguridad del filtro debido a la presión del sistema, lo cual a su vez puede causar daños a la propiedad, lesiones personales graves o muerte. Antes de hacerle servicio al sistema de circulación de agua de la piscina o el spa, todos los controles del sistema y de la bomba deben estar en posición de apagado, y la válvula manual de alivio de aire del filtro debe estar en posición de abierto. Antes de encender la bomba, todas las válvulas del sistema deben estar en una posición que permita que el agua regrese a la piscina. No cambie la posición de la válvula de control del filtro mientras la bomba esté funcionando. Antes de encender la bomba, abra completamente la válvula manual de alivio de aire del filtro y no la cierre hasta que salga una corriente constante de agua solamente (no solo aire ni tampoco aire con agua).



ADVERTENCIA – Peligro de separación. No respetar las instrucciones de seguridad y operación podría causar una separación violenta de la bomba y/o los componentes del filtro. La tapa del colador debe fijarse correctamente en el alojamiento de la bomba con el anillo de bloqueo de la cubierta del filtro. Antes de hacerle servicio al sistema de circulación de la piscina/spa, los filtros de la válvula manual de alivio de aire deben estar en posición de abierto. No active el sistema de circulación de la piscina/spa si el componente del sistema falta, está dañado o ha sido montado incorrectamente. **Nunca opere o pruebe el sistema de circulación a más de 50 psi. No purgue el sistema con aire comprimido.** La purga del sistema con aire comprimido puede hacer explotar los componentes, lo cual implica riesgo de lesiones graves o muerte a toda persona que esté cerca. Utilice solo un soplador de alto volumen de baja presión (menos de 5 psi) cuando purgue la bomba, el filtro o las tuberías de aire.





⚠️ ADVERTENCIA – Riesgo de descarga eléctrica. Todo el cableado eléctrico DEBE cumplir con los códigos y reglamentos locales aplicables y el Código Eléctrico Nacional (National Electrical Code, NEC). El voltaje peligroso puede causar descargas eléctricas, quemaduras y muerte o daños graves a la propiedad. Para reducir el riesgo de descarga eléctrica, NO use cables de extensión para conectar la unidad al suministro eléctrico. Instale un receptáculo eléctrico ubicado correctamente. Antes de trabajar en cualquier equipo eléctrico, desconéctele el suministro eléctrico. Para reducir el riesgo de descarga eléctrica, cambie el cableado dañado inmediatamente. Ubique los conductos de cable eléctrico de manera que los cortacéspedes, las podadoras de setos, etc. no los dañen. NO conecte a tierra a una línea de suministro de gas.

⚠️ ADVERTENCIA – Riesgo de descarga eléctrica. No conectar a tierra todos los equipos eléctricos, puede causar un peligro de descarga eléctrica grave o mortal. Conecte a tierra todo el equipo eléctrico antes de conectarlo a la fuente de alimentación.

⚠️ ADVERTENCIA – Riesgo de descarga eléctrica. No conectar equipotencialmente todo el equipo eléctrico a la estructura de la piscina aumenta el riesgo de electrocución y podría causar lesiones o muerte. Para reducir el riesgo de descarga eléctrica, siga las instrucciones de instalación y consulte a un electricista profesional sobre la manera de conectar equipotencialmente todo el equipo eléctrico. Además, comuníquese con un electricista autorizado para informarse sobre los requisitos de conexión equipotencial especificados en los códigos eléctricos locales.

Notas para el electricista: Use un conductor de cobre sólido, calibre 8 o mayor. Pase un cable continuo desde la terminal de conexión equipotencial externa hasta la varilla de refuerzo o malla. Conecte un alambre de conexión equipotencial de cobre Nº 8 AWG (8.4 mm²) [Nº 6 AWG (13.3 mm²) en Canadá] al conector de alambre de presión del equipo eléctrico, a todas las partes metálicas de la piscina, el spa o la bañera de hidromasaje, a las tuberías de metal (excepto las tuberías de gas) y a los conductos de cable eléctrico a menos de 5 pies (1.5 m) de las paredes interiores de la piscina, spa o bañera de hidromasaje.

IMPORTANTE - Consulte los códigos NEC para ver todas las normas de cableado tales como, entre otros, la conexión a tierra, la conexión equipotencial y otros procedimientos generales de cableado.

⚠️ ADVERTENCIA – Riesgo de descarga eléctrica. El equipo eléctrico debe conectarse solo a un circuito de suministro con interruptor de circuito por falla de conexión a tierra (GFCI). El instalador debe suministrar el GFCI, que debe probarse con regularidad. Para probar el GFCI, presione el botón de prueba. El GFCI debe interrumpir el suministro eléctrico. Presione el botón de restablecimiento. El suministro eléctrico debe reanudarse. Si no funciona de esta manera, el GFCI está defectuoso. Si el GFCI interrumpe el suministro eléctrico sin que se presione el botón de prueba, hay una corriente a tierra, lo cual indica la posibilidad de una descarga eléctrica. No use este equipo eléctrico. Desconéctelo y haga que un representante calificado del servicio corrija el problema antes de usarlo.

⚠️ PRECAUCIÓN – Las bombas HAYWARD® han sido diseñadas para piscinas de instalación permanente y se pueden usar en jacuzzis y spas que lo indiquen. No las use en piscinas que se pueden guardar. Las piscinas de instalación permanente se construyen a ras de tierra o sobre el terreno o en un edificio, de manera que no se pueden desmontar fácilmente para guardarlas. Las piscinas que se pueden guardar se construyen de manera que se pueden desmontar fácilmente para guardarlas y más tarde volver a armarlas.

⚠️ ADVERTENCIA – Riesgo de hipertermia. Para evitar la hipertermia, la Comisión de Seguridad de Productos para el Consumidor de EE. UU. recomienda las siguientes Reglas de seguridad de bañeras calientes.

1. La temperatura del agua del spa o jacuzzi nunca debe superar los 104 °F [40 °C]. Una temperatura de 100 °F [38 °C] se considera segura para un adulto sano. Se recomienda precaución especial para niños pequeños. La inmersión prolongada en agua caliente puede inducir hipertermia.
2. El consumo de bebidas alcohólicas antes o durante la estadía en el spa o la bañera de hidromasaje puede causar somnolencia, lo cual puede conducir a la pérdida del conocimiento y luego al ahogamiento.
3. ¡Las mujeres embarazadas deben tener cuidado! Sumergirse en agua a más de 100 °F [38 °C] puede perjudicar al feto durante los primeros tres meses del embarazo (lo cual da como resultado el nacimiento de un niño con daño cerebral o deformación). Las mujeres embarazadas deben respetar la regla de máxima temperatura de 100 °F [38 °C].
4. Antes de entrar al spa o jacuzzi, el usuario debe verificar la temperatura del agua con un termómetro preciso; los termostatos de spa o bañera de hidromasaje pueden errar en la temperatura del agua hasta 4 °F (2.2 °C).
5. Las personas que toman medicamentos que inducen somnolencia, tales como tranquilizantes, antihistamínicos o anticoagulantes, no deben usar ni spas ni jacuzzis.
6. Si la piscina/spa es para terapia, la terapia debe hacerse con el asesoramiento de un médico. Agite siempre el agua de la piscina/spa antes de meterse para mezclar toda capa de agua caliente que pueda exceder los límites de temperatura saludables y causar lesiones. No altere los controles. El ajuste incorrecto de los controles puede causar escaldaduras.
7. Las personas con historial médico de enfermedades cardíacas, problemas circulatorios, diabetes o problemas de presión arterial deben consultar a un médico antes de meterse a spas o jacuzzis.
8. Hay hipertermia cuando la temperatura interna del cuerpo llega a varios grados por encima de la temperatura corporal normal de 98.6 °F [37 °C]. Los síntomas de la hipertermia son somnolencia, letargo, mareos, desmayos y un aumento de la temperatura interna del cuerpo.

Los efectos de la hipertermia son:

1. Incapacidad de darse cuenta del peligro inminente.
2. Incapacidad de sentir calor.
3. Incapacidad de reconocer la necesidad de salir del spa.
4. Incapacidad física de salir del spa.
5. Daño fetal en mujeres embarazadas.
6. Pérdida del conocimiento que conduce a peligro de ahogamiento.

GUARDE ESTAS INSTRUCCIONES

Instalación

La válvula de alta eficiencia SelectaFlo™ SP0425 ha sido diseñada para los filtros de la serie ProGrid® y DEP500 de Hayward. Conecte la válvula al filtro como se muestra en la Figura 1. **Las tuercas de unión se deben apretar a mano solamente.** Los puertos de bombeo, retorno y desecho tienen conexiones tipo enchufe campana de 2 ½ plg. x 2 plg. (soldadas con solvente). Para tuberías de 2 ½ plg. se requiere un acoplador estándar de 2 ½ plg. x 2 ½ plg. El codo suministrado se puede conectar al puerto de desecho para alejar la tubería de desecho de la plataforma del equipo. **Se deben seguir las prácticas apropiadas de cementación con solvente descritas en las normas ASTM D2855 y ASTM F493.**

Para una instalación simple y eficiente de las tuberías de las bombas de la serie TriStar® o EcoStar®, instale entre la salida de la bomba y el puerto de bomba de la válvula el conector EcoFlo EFC3220SF incluido, tal como se muestra en la Figura 2.



Figura 1

Conexión entre el filtro y la válvula

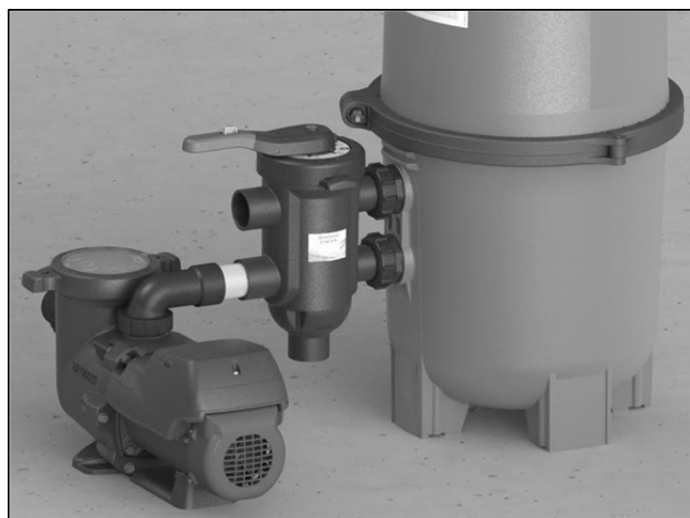


Figura 2

Conector EcoFlo entre la bomba y la válvula

Función de las posiciones de la válvula

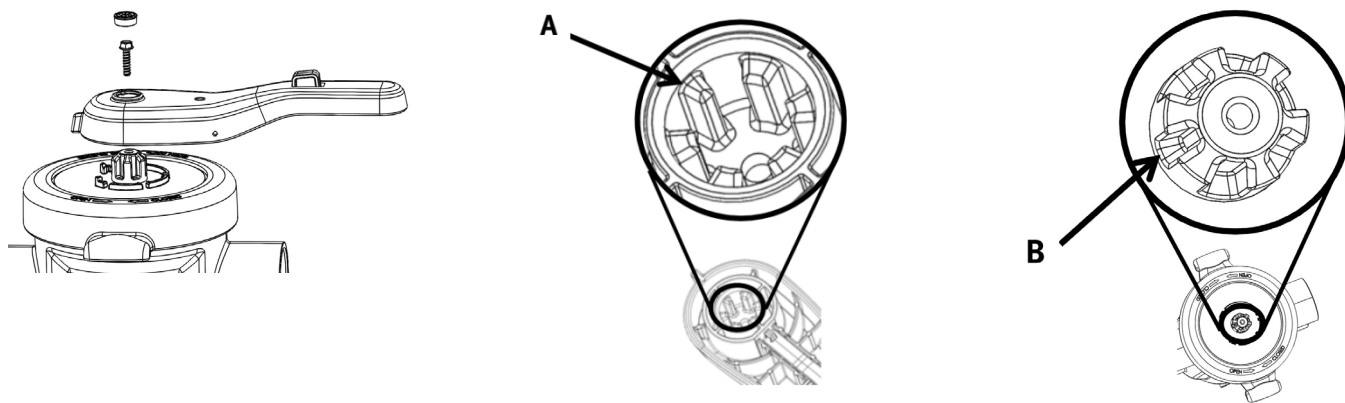


APAGUE SIEMPRE LA BOMBA ANTES DE CAMBIAR LA POSICIÓN DE LA VÁLVULA

POSICIÓN DE LA VÁLVULA	DIRECCIÓN DEL FLUJO A TRAVÉS DE LA VÁLVULA
FILTRACIÓN	BOMBA - A TRAVÉS DEL FILTRO - RETORNO Para filtración normal y aspiración del agua de la piscina por el filtro.
CONTRALAVADO	BOMBA - A TRAVÉS DEL FILTRO - DESECHO Para limpiar el filtro.
DESECHO	BOMBA - A TRAVÉS DE LA VÁLVULA SOLAMENTE - DESECHO Para pasar el agua aspirada directamente a la salida de desecho, bajar el nivel de la piscina y/o vaciar la piscina.
RECIRCULACIÓN	BOMBA - A TRAVÉS DE VÁLVULA - RETORNO Para hacer circular el agua de la piscina pasando por alto el filtro.

Instalación del mango

Fije el mango en el eje de la válvula alineando el diente angosto "A" del mango con la ranura angosta "B" del eje de la válvula. Inserte el tornillo en la parte superior del mango como se muestra y apriételo con un trinquete y un dado de 3/8 plg. Alinee el tapón del mango y presiónelo sobre el tornillo para completar la instalación.

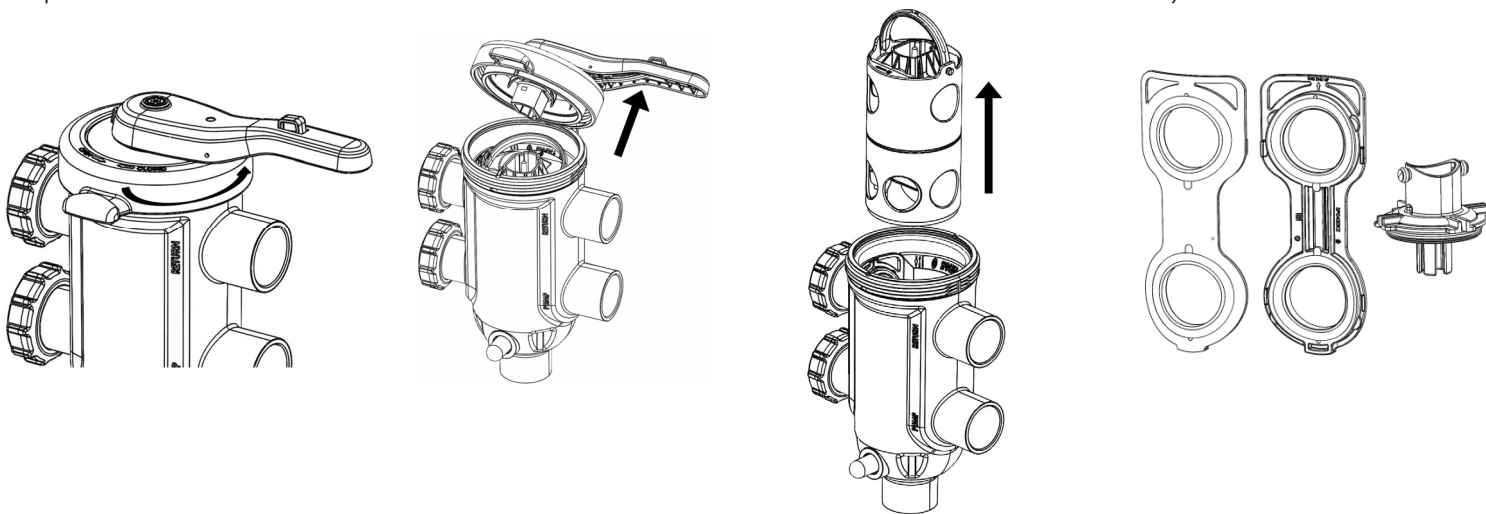


Mantenimiento

Para mayor vida útil, hágale mantenimiento anual al filtro retirando la suciedad y los desechos que se hayan acumulado en los componentes internos y cambiando los componentes de sellado gastados.

Instrucciones de desarmado

1. APAGUE la bomba antes de desmontar la válvula de control del filtro. Gire el anillo de bloqueo en sentido antihorario para retirar la cubierta.
2. Retire la cubierta. SUGERENCIA: Si la cubierta se resiste, mueva la base del mango de lado a lado mientras jala hacia arriba.
3. Tomando el cubo de la válvula por el asa, saque el cubo del cuerpo de la válvula.
4. Retire los portasellos y vea si están desgastados. Cambie los componentes desgastados o dañados con piezas de repuesto Hayward.

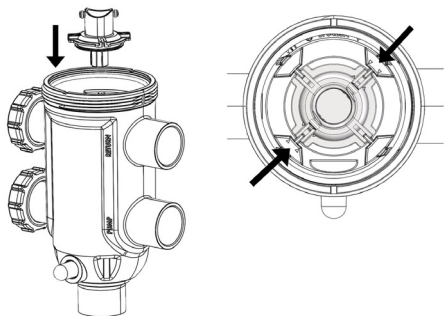


Preparación para el invierno

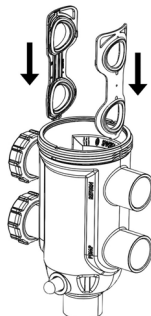
Para preparar la válvula para el invierno, desmóntela siguiendo las instrucciones de desmontaje anteriores. Habiéndolo retirado, gire el cubo de modo que todos los puertos abiertos queden hacia abajo a fin de que salga toda el agua que quede en los conductos internos.

Instrucciones de montaje

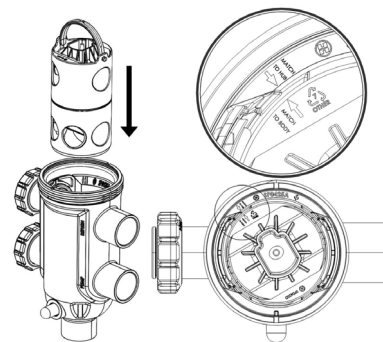
1. Instale el portasello del puerto de desecho alineando las guías del portasello del puerto de desecho con las guías del cuerpo de la válvula. Luego, presione el portasello firmemente en posición.



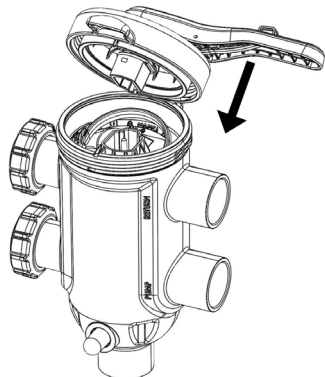
2. Lubrique los sellos orientados hacia adentro del portasello con lubricante de silicona. Luego, instale los portasellos en sus respectivas ranuras del cuerpo de la válvula presionándolos firmemente hacia abajo hasta que se asienten.



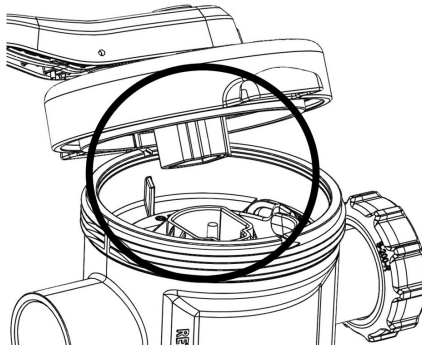
3. Instale el cubo en el cuerpo de la válvula alineando la flecha-guía del cubo con la flecha-guía del cuerpo de la válvula. Presione el cubo hacia abajo para que entre en el cuerpo de la válvula y asegúrese de que el sello del puerto de desecho se asiente.



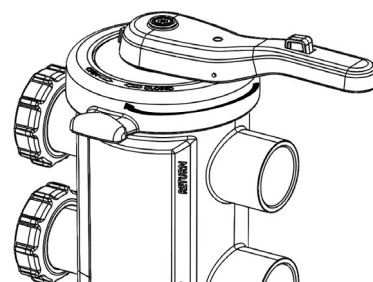
4. Pliegue el mango del cubo de la válvula e instale la cubierta.



5. SUGERENCIA: Alinee las guías de la cubierta con las guías del alojamiento.

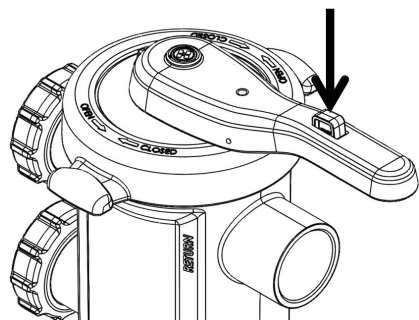


6. Instale el anillo de bloqueo, girándolo en sentido horario para apretarlo.

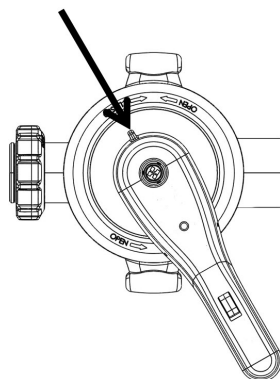


Instrucciones de operación

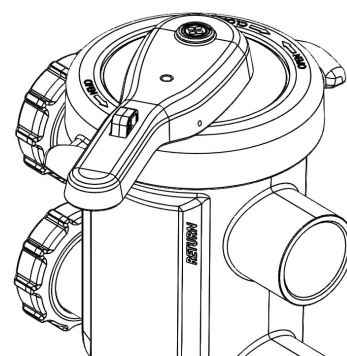
1. Apague la bomba antes de hacer funcionar la válvula. Presione el botón del mango para soltar el pestillo.

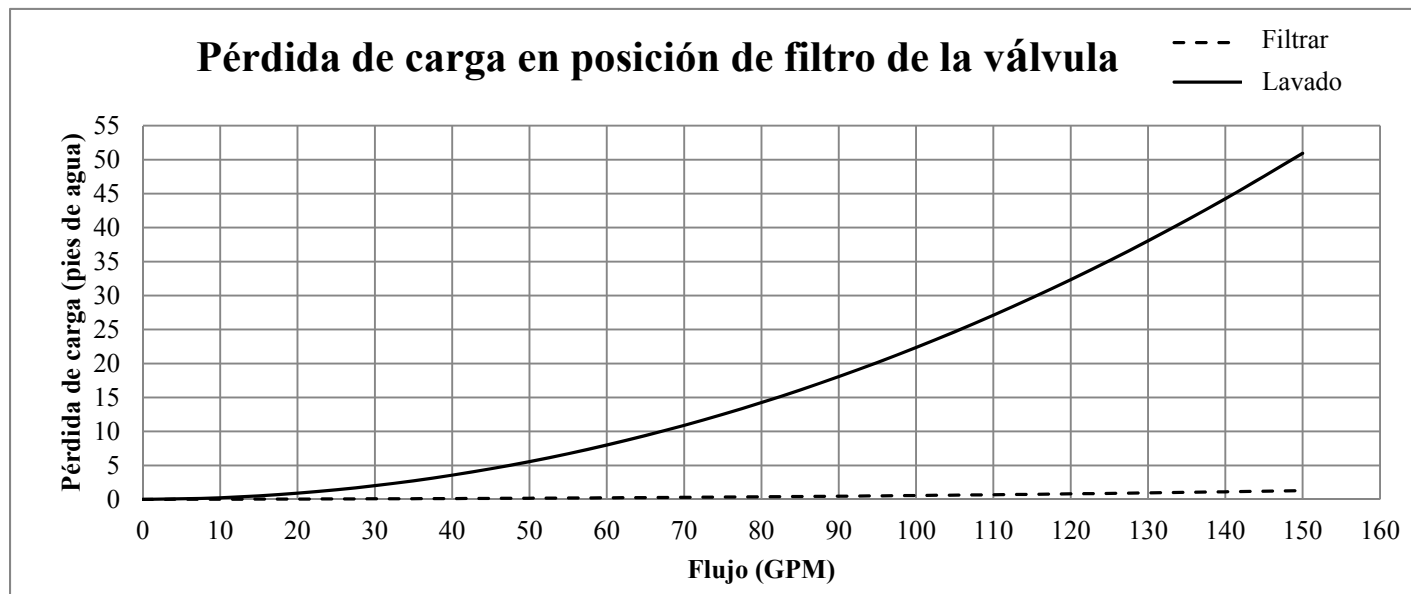


2. Con el botón presionado, gire el mango hasta que el indicador alcance la posición deseada de la válvula.

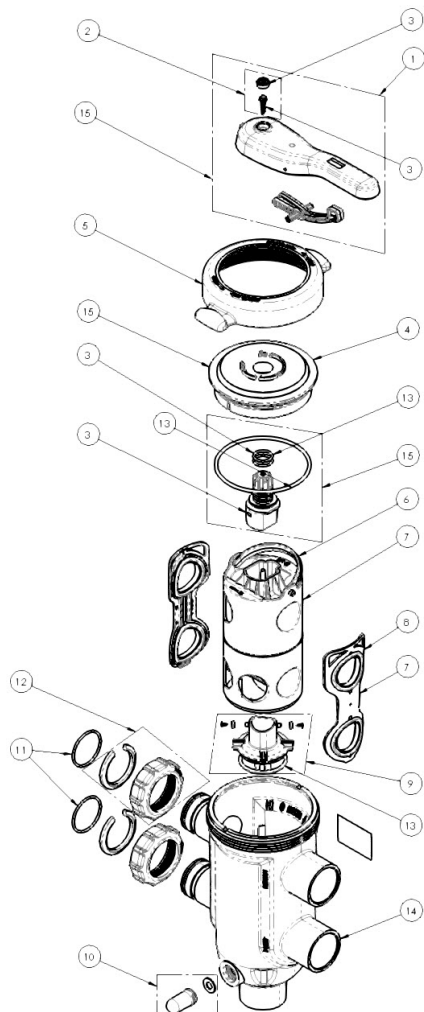


3. Suelte el botón para que el pestillo bloquee el mango en posición.





Piezas de repuesto



Ítem	Nº de pieza	Descripción	Cant.
1	SPX0425GH	MANGO CON PESTILLO, TORNILLO, TAPÓN DE MANGO	1
2	SPX0425Z3	TORNILLO DE MANGO, TAPÓN DE MANGO	1
3	SPX0425E	EJE DE LA VÁLVULA CON JUNTAS TÓRICAS, TORNILLO Y TAPÓN DE MANGO	1
4	SPX0425C	CUBIERTA DE VÁLVULA	1
5	SPX0425B	ANILLO DE BLOQUEO CON PESTILLO	1
6	SPX0425D3	MANGO DE CUBO DE VÁLVULA	1
7	SPX0425D	CUBO DE VÁLVULA CON MANGO DE CUBO Y PORTASELLOS	1
8	SPX0425KPAK2	PORTASELLOS (JUEGO DE 2)	1
9	SPX0425MPA	UNIDAD DE PORTASELLO DEL PUERTO DE DESECHO	1
10	SPX0710MA	VENTANILLA DE OBSERVACIÓN CON JUNTA	1
11	SX200Z4PAK2	JUNTA TÓRICA DE VÁLVULA (JUEGO DE 2) (PARA UNIONES)	1
12	SPX0425L	ANILLO DE PRESIÓN Y TUERCA DE UNIÓN (1 CADA UNO)	2
13	SPX0425Z2	KIT DE SELLO DE JUNTA TÓRICA (EJE, CUBIERTA, SELLO DE PUERTO DE DESECHO)	1
14	SPX0425A	CUERPO DE VÁLVULA	1
15	SPX0425BCE	MANGO, PESTILLO, EJE, CUBIERTA, TORNILLO, TAPÓN DE MANGO, JUNTAS TÓRICAS DE EJE Y JUNTA TÓRICA DE CUBIERTA	1

