

From the Makers of  
**Pour**



MASONRY DECK PRODUCTS

MADE IN USA



# HIDDEN PAVER DRAIN

PD-12 BLK  
Drain Underneath

STETSON DEVELOPMENT, INC.



# HIDDEN PAVER DRAIN

## PD-12 BLK

MADE IN USA

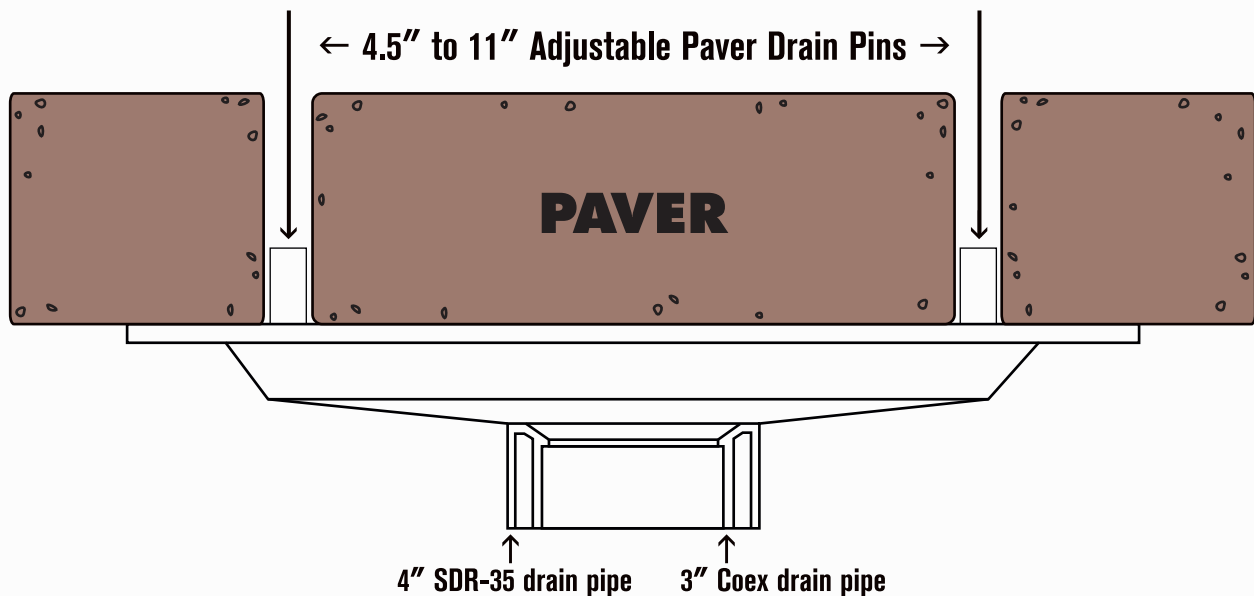


8 Removable paver pins slide into slotted channels to allow spacing of pavers and create drainage access.



16"  
Squared

### Description:



### Recommended Pedestrian Load Class A

- Load at 1-60 PSI
- ADA Compliant
- For Pedestrians, Bicycles and Wheel Chair Traffic
- Loads are based on encasing product in Concrete

Hidden Paver Drain is a product of Stetson Development, Inc. Patent Pending

For further information  
**(800) 532-8215**  
Visit our website at :  
[www.hiddenpaverdrain.com](http://www.hiddenpaverdrain.com)

 **WARNING: Cancer and Reproductive Harm.**  
[www.P65Warnings.ca.gov](http://www.P65Warnings.ca.gov)