

Function

Submersible conduit mounted junction boxes for underwater connections.

Specification

Construction shall be cast bronze equipped with neoprene gasket, stainless steel fasteners and copper ground connections (EBJ216DMX: total 4 internal incl. 2 lugs; other models: 1 external and 2 internal incl. 1 lug).

Notes

1. Trade size 1/2" plugs and cord seals are to be tightened with a torque of 90Nm (80lbf.in).
2. Lid fasteners are to be tightened with a torque of 2 Nm (19 lbf.in).
3. Thread sealant compound or Teflon tape must be used for a leak-free seal
4. EBJ216DMX comes with 1 1/2" x 1 1/4" brass reducer separately

Listings

UL and ULC listed to safety standards for use in water other than in swimming pools and spas. IP68 Rated

For junction box to be flush mounted, refer to Crystal Fountains' EBN208.



Options

Junction Box Potting Compound

- EBJ C10 - 21 oz
- EBJ C20 - 12 oz

Junction Box Cord Seal

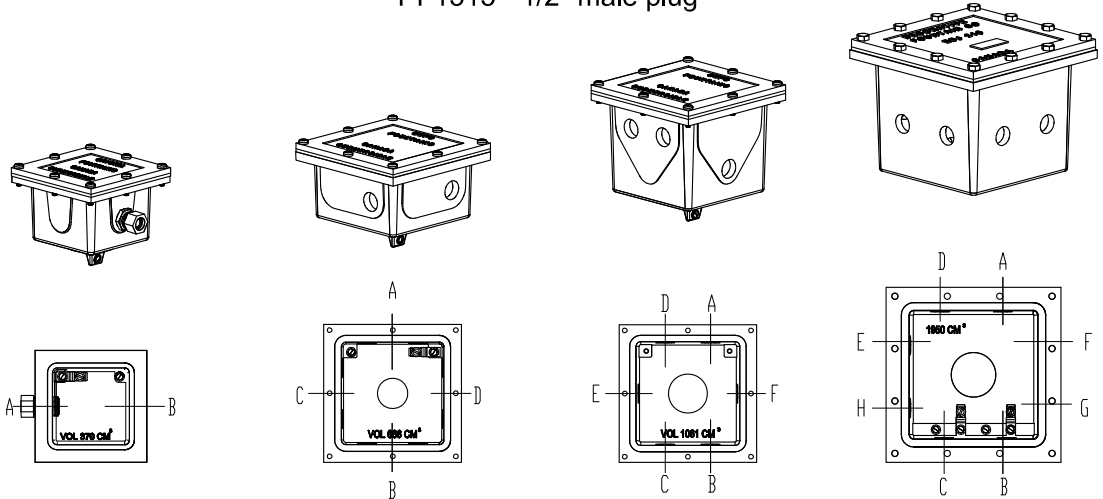
EGS series - for watertight connections of underwater cables connecting junction boxes with lights, water level sensors and pumps.

Stub Up

EP series - flanged bronze conduit stub ups provide watertight and secure penetrations through concrete and slabs directly into fountain pools.

Plug

PF1315 - 1/2" male plug



* 1 1/2" with spare 1 1/4" Adaptor

Junction Box Part No.		EBJ204DMX	EBJ208DMX	EBJ212DMX	EBJ216DMX
Bottom Hub	(N.P.T)	1 1/4"	1 1/4"	1 1/4"	* 1 1/2"
Side Hubs	(N.P.T)	(2) x 1/2"	(4) x 1/2"	(6) x 1/2"	(8) x 1/2"
Overall Dims	(Inches)	4 1/2" x 4 1/2" x 3 3/4"	5 1/2" x 5 1/2" x 3 1/2"	5 1/2" x 5 1/2" x 4 1/2"	7" x 7" x 5 1/2"
"L" x "W" x "H"	(mm)	115 x 115 x 95	140 x 140 x 90	140 x 140 x 115	178 x 178 x 140
Inside	(Cu In.)	22.6	40.6	64.7	119
Volume	(Cu. Cm)	370	666	1061	1950



PROPRIETARY AND CONFIDENTIAL

THE INFORMATION CONTAINED IN THIS DRAWING IS THE SOLE PROPERTY OF CRYSTAL FOUNTAINS INC. ANY REPRODUCTION IN PART OR AS A WHOLE WITHOUT THE WRITTEN PERMISSION OF CRYSTAL FOUNTAINS INC. IS PROHIBITED.

CUT SHEET
EBJ DMX-D101

PAGE
1 OF 2

www.crystalfountains.com



UNDER WATER JUNCTION BOX FOR DMX PRODUCT

SERIES
EBJ

REV.
F

TEL. 1-905.660.6674

FAX. 1-905.660.6916

FEB 2020