


Job: \_\_\_\_\_  
 Engineer: \_\_\_\_\_  
 Contractor: \_\_\_\_\_  
 Prepared By: \_\_\_\_\_ Date: \_\_\_\_\_  
 Model: \_\_\_\_\_ Indoor/Outdoor: \_\_\_\_\_

# XTherm® - Type P

Pool Heaters  
 Models 1005A-2005A

- 97% Thermal Efficiency at Full Rate**
- 100% Factory Fire Tested**
- VERSA IC® Controller with 7" color touchscreen display**
- Raymote™ remote connectivity provided standard**
- Maximum Outlet Water Temperature Setpoint: 104°F**
- Minimum Acceptable Inlet Water Temperature: 50°F**
- CPVC Water Manifold**
- Full Safety Diagnostics with History**
- Status Display Lights**
- Cascade up to 4 heaters – No external sequencer needed**
- Limited Twenty-Five-Year Thermal Shock Warranty**
- Limited Five-Year Primary Heat Exchanger Warranty**
- Limited Ten-Year Secondary Heat Exchanger Warranty**
- On/Off Operation**



 Proudly Made in the USA

### Heat Exchanger

- Bronze Headers
- ASME HLW Stamped; 75 PSIG MAWP
- National Board Listed
- Cupro Nickel Fin Tubing
- ASME Powder-Coated Tube Sheet
- Silicone High Temp O-Rings
- ASME Pressure Relief Valve 75 PSIG – Standard
- Manual Air Bleed Valve
- T&P Gauge
- Stainless Steel Condensing Heat Exchanger – U stamped
- Stainless Steel Evaporator Plate
- Boiler Pump: Bronze, 120V, 1Ø, 60Hz

### Control

- 120V, 60Hz, 1Ø, Power Supply
- 120/24V 60Hz Transformer
- VERSA IC®
- 7" color HD touchscreen display
- Raymote™ Wi-Fi remote connectivity
- Ignition Module
  - 3-Try – Standard
  - Single-Try – Option C-6
- Remote Flame Sensor
- High Limit Fixed Manual 180°F
- On/Off Power Switch
- Flow Switch
- Blocked Vent Pressure Switch
- Freeze Protection

- Alarm Dry Contact
- Pump Time Delay
- Blocked Condensate Switch
- Water Temperature Sensors (2 mounted, 2 loose with wells)
- Cold Water Protection

### Burner

- Hot Surface Ignition (HSI)
- Ultra-Low NOx: Less than 20 PPM (Natural Gas Only)

### Gas Train

- Fuel
  - Natural Gas
  - Propane (Grade HD-5)
- Zero Governor Regulator
- Dual-Seat Combination Valve
- Electronic Firing Mode (P)

### Construction

- Indoor/Outdoor Construction
- Enclosed Front Controls
- PolyTuf Powder Coat Finish
- Rear Connections (Water, Gas, Vent, Electrical, Comb. Air, Cond. Drain)
- Combustion Air Filter
- Design Certified ANSI Z21.56/CSA 4.3
- Front Connection Low Voltage Wiring
- CSA Low Lead Certified ≤ .25% Lead

### Venting

- Vent Termination, Cat IV

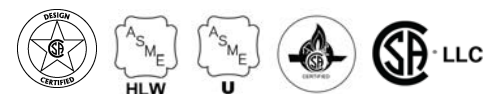
- Outdoor or Indoor, Vertical – Option D-11
- Indoor, Horizontal – Option D-15
- Extractor – Optional, Cat II
  - By others
  - Not required

### Options

- D-32 PVC Vent Connection (Factory Mounted Only)
- D-33 Polypropylene Vent Connection
- F-10 Low Water Cut-Off, Remote Probe
- I-5 High Limit, Manual Reset, Adj., 100-200°F
- S-1 Low Gas Pressure Switch, Manual Reset
- S-2 High Gas Pressure Switch, Manual Reset
- Z-12 Condensate Treatment Kit

### Additional Options or Accessories

\_\_\_\_\_



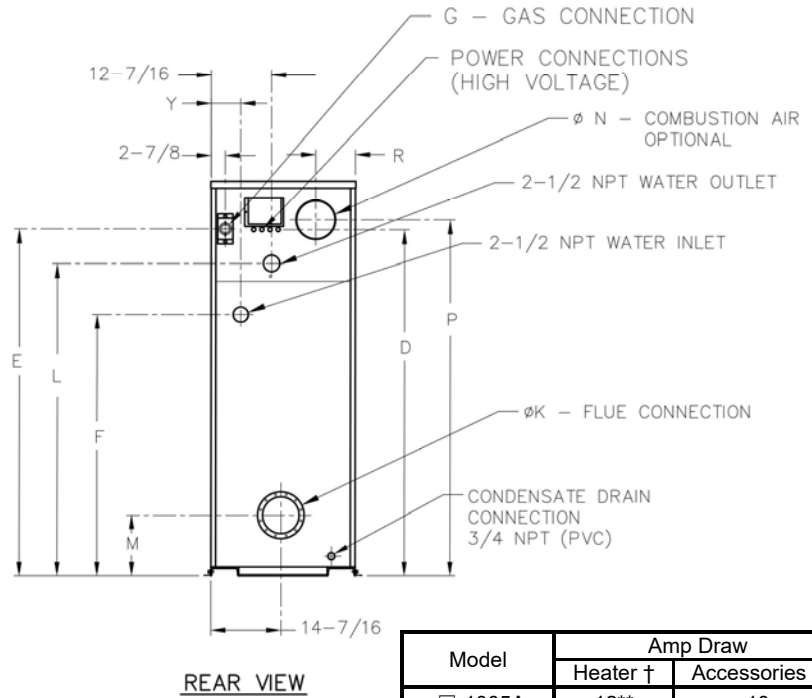
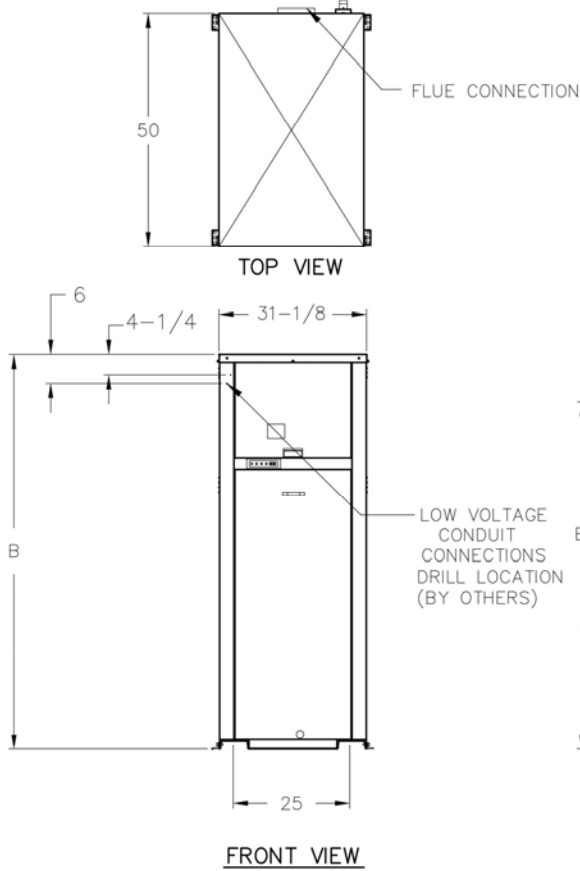
# XTherm – Type P Models 1005A-2005A

Model \_\_\_\_\_

**NOTE: Primary/Secondary plumbing is mandatory for proper operation.**

### CLEARANCES (in.)

	Front	Rear	Right	Left	Top	Floor	Vent
<b>Certified Minimum</b>	24	12	1	1	0	0	1
<b>Minimum Service</b>	24	36	24	1	10	N/A	N/A



Model	Amp Draw	
	Heater †	Accessories †
☐ 1005A	12**	10
☐ 1505A	12**	14
☐ 2005A	18**	17

† Separate power connections are factory supplied and separate supply breakers must be field supplied.  
\*\* Current draw is for heater only (Supply breaker must have delayed trip).

Model (P-)	MBTUH		Dimensions (in)											Ship Weight (Lbs.)	
	Input	Output	B Height	D	E	F	G* NPT	K Flue Ø	L	M	N C/A Ø	P	R		Y
☐ 1005A	999	969	55-1/8	45	47-1/8	36-1/2	1-1/4	6	40-1/16	11-1/2	6	47-1/8	8-1/16	6-1/16	1065
☐ 1505A	1500	1455	67-1/8	57	59-1/16	38-1/2	1-1/4	8	52-1/16	12-5/8	8	59-1/8	8-3/16	6-1/16	1234
☐ 2005A	1999	1939	81-1/8	71	71-3/16	38-1/2	2	8	64-1/16	12-5/8	8	73-1/8	8-3/16	6-1/4	1461

Note: Ratings shown are for elevations up to 2,000 feet. For installations at elevations above 2,000 feet, please consult the factory for additional instructions.

\* For Propane Gas, all models are 1 NPT