

18" SQUARE RETROFIT WITH FOUR 9" SQUARE MOFLOW® SUCTION OUTLET COVERS



VGBA CERTIFIED SPECIFICATIONS

Open Area
143.2 in²

For SOFA Specific Flow Ratings and specifications please scan QR code or visit www.aquastarpoolproducts.com/flowcode



FEATURES

For retrofit only, does not include mud frame

Easily and safely retrofits to most brands' 1" deep 18" window grid square frames, does not include mud frame

Certified, Listed, and Labeled in conformance with APSP/ANSI/ICC-16 2017 and NSF/ANSI/CAN 50 standards

Manufactured from superior UV-resistant engineered polymers

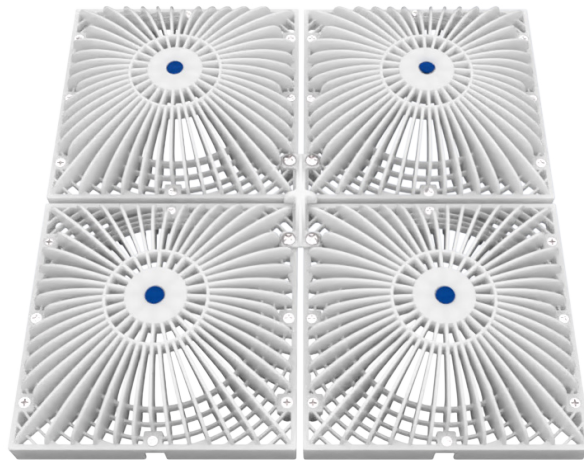
#316 stainless steel screws

Online product support including downloadable CAD files, General Certificate of Conformity, third-party certificate, installation instructions and more

Trademarked VGBA compliance button easily identifies VGBA 2017 compliant cover from on deck and underwater

Replace drain cover every five years from the date of installation

1 per case

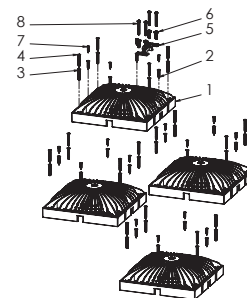
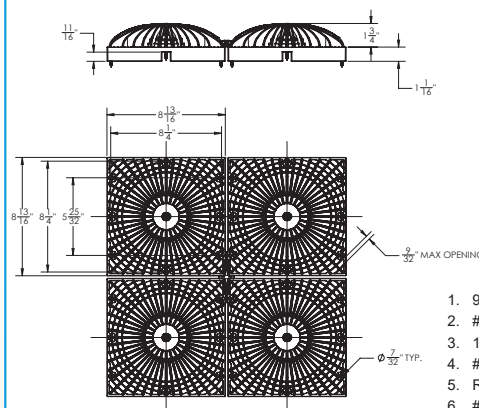


Part # R18MFNFxxx

Designed to replace standard 18" square 2 x 2 grid cover assemblies that have four 9" square covers with 8 1/4" center-to-center screw hole measurement with 3/4" deep existing frames

STANDARD COLORS

- R18MFNF101 – White
- R18MFNF102 – Black
- R18MFNF103 – Light Gray
- R18MFNF105 – Dark Gray
- R18MFNF108 – Tan



1. 9" Square Retrofit MoFlow Suction Outlet Cover, Qty 4
2. #10 x 1" Flat Head Phillips Screw, 316 SS, Qty 16
3. 10-24 x 1.25" Flat Head Phillips Machine Screw, 316 SS, Qty 16
4. #10 x 1.5" Flat Head Phillips Screw, 316 SS, Qty 16
5. Retro Shield
6. #14 x .75" Pan Head Phillips Screw, 316 SS, Qty 4
7. #8 x .75" Flat Head Phillips Screw, 316 SS, Qty 16
8. 10-24 x 1.5" Pan Head Phillips Machine Screw, 316 SS, Qty 4

*NOT ALL SCREWS & HARDWARE USED FOR ALL INSTALLATIONS.

VGBA 2017 Compliant

P 877-768-2717 F 877-276-POOL Outside the US: P +1-949-336-1940 F +1-949-336-1940
info@aquastarpoolproducts.com www.aquastarpoolproducts.com CS068-013125