

# AUSTRALIAN RETURN FITTING WITH ADJUSTABLE EYEBALL, 1½" KNOCK-IN



Compatibility, durability, and performance



## FEATURES

- Knocks into 1½" or 1" pipe
- Self-leveling for out-of-square pipes
- Flange camouflages pipe and surface construction variations
- Manufactured from engineered polymer UV-resistant polypropylene material
- 500 per case

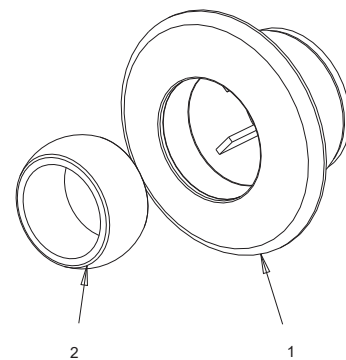
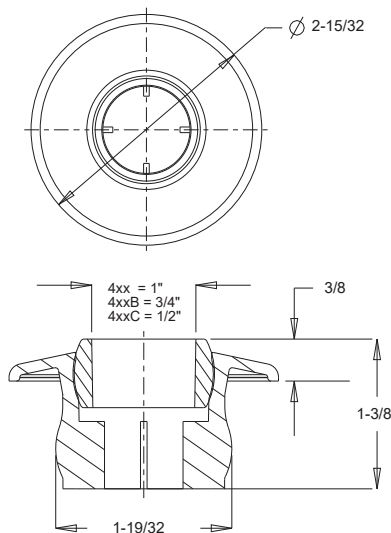


Part # 4xx  
(For 1½" pipe)

## STANDARD COLORS

- 401 – White
- 402 – Black
- 403 – Light Gray
- 405 – Dark Gray
- 408 – Tan

Eyeball orifice size part #s:  
1" - 4xx, ¾" - 4xxB, ½" - 4xxC  
(i.e. 401B = white ¾" orifice)  
Also available in blue (p/n 404)



1. Australian Return Knock-In Body, 1-1/2" Spigot
2. Australian Return Eyeball