

# CHEMSTAR® OFF-LINE CHLORINATOR



Sanitization made easy



## FEATURES

Freestanding model is ideal for retrofitting existing pools for automatic sanitization

Installs easily on the pressure side of the pump, downstream of the filter and heater

Standard with 2-inch slip PVC fittings and adapters for 1½ inch

Completely enclosed system – no escaping gases, so no special venting is required

50 PSI maximum operating pressure

External fine control valve adjusts the feed rate to meet specific pool or spa needs

Top-load large or small Trichlor or Bromine slow-dissolving tablets enables an effective, trouble-free way to sanitize pool or spa

6 per case

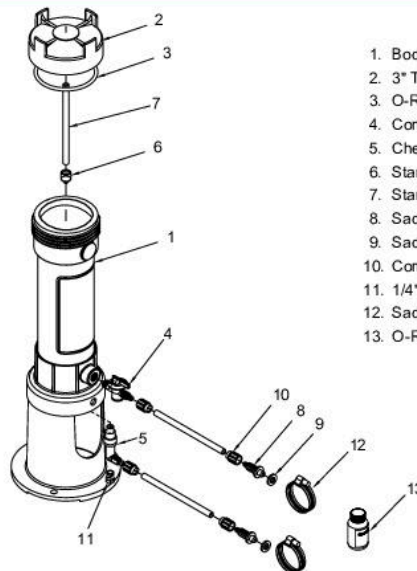
# ChemStar®



Part # CH200

## STANDARD COLORS

White



1. Body Assembly, Stand, Offline Feeder
2. 3" Threaded Cap
3. O-Ring, Cap, #343, Viton
4. Control valve, Offline Feeder
5. Check Valve Elbow
6. Standpipe Adapter
7. Standpipe, Qty 3
8. Saddle Tube Fitting, Qty 2
9. Saddle Gasket, Qty 2
10. Compression Nut, Qty 2
11. 1/4" NPT Plug, Optional
12. Saddle Clamp, Qty 2
13. O-Ring Silicone Lube

# CHEMSTAR® CLEAR OFF-LINE CHLORINATOR



Sanitization made easy



## FEATURES

- Freestanding model – ideal for retrofitting existing pools for automatic sanitization
- Installs easily on the pressure side of the pump, downstream of the filter and heater
- Clear pipe shows the amount of chlorine/bromine in the unit without removing the lid
- Transparent molded UV- and chemical-resistant body
- Standard with 2-inch slip PVC fittings and adapters for 1½ inch
- Completely enclosed system – no escaping gases, so no special venting is required
- 50 PSI maximum operating pressure
- External fine control valve adjusts the feed rate to meet specific pool or spa needs
- Top-load large or small Trichlor or Bromine slow-dissolving tablets for an effective, trouble-free way to sanitize pool or spa
- 6 per case

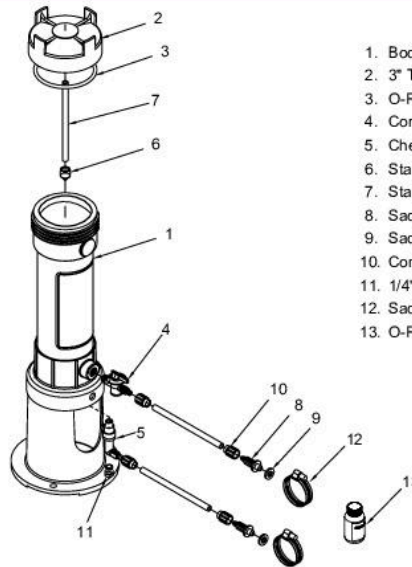
**ChemStar**®



Part # CH200CLR

## STANDARD COLORS

Clear

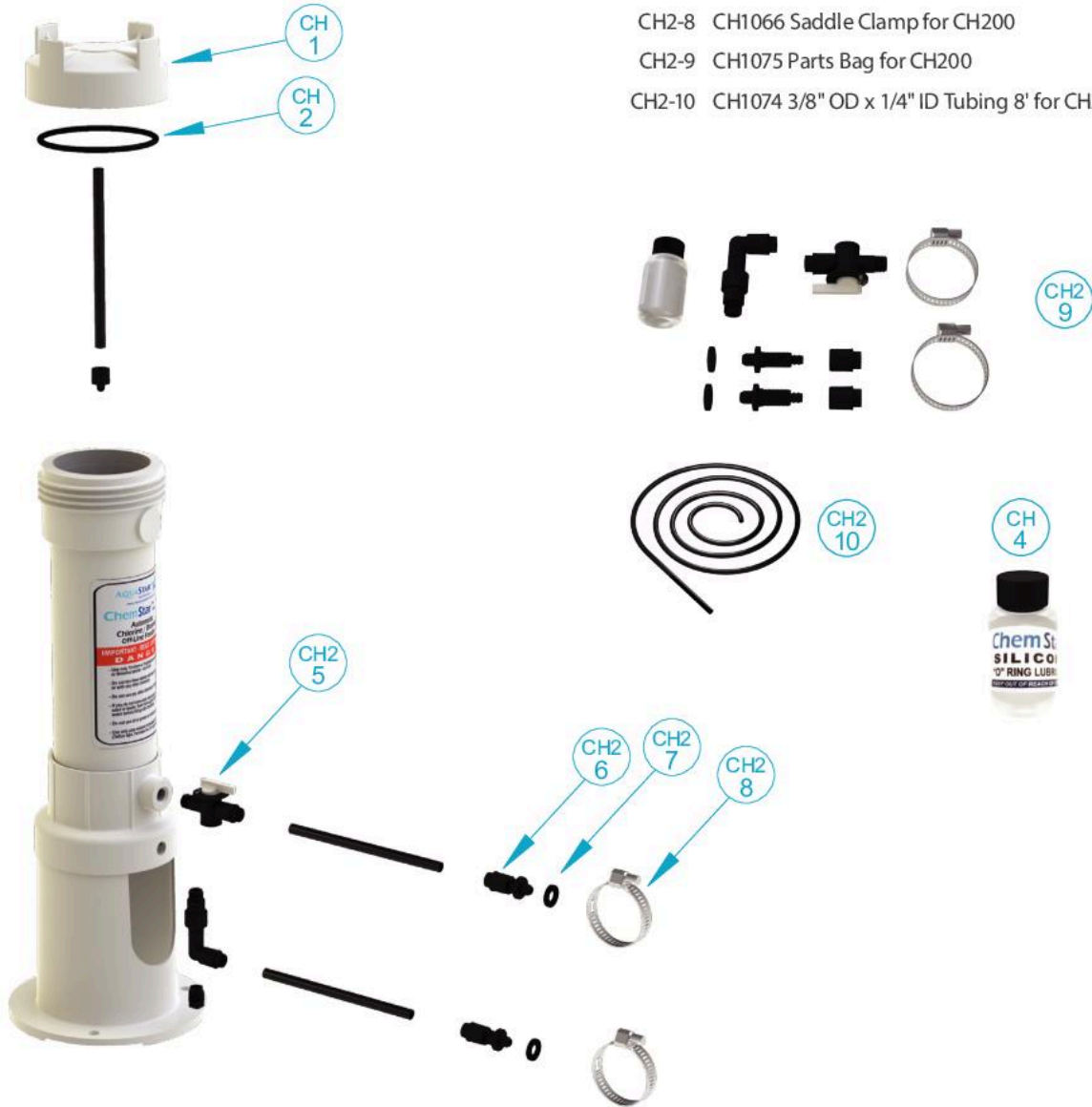


1. Body Assembly, Stand, Offline Feeder
2. 3" Threaded Cap
3. O-Ring, Cap, #343, Viton
4. Control valve, Offline Feeder
5. Check Valve Elbow
6. Standpipe Adapter
7. Standpipe, Qty 3
8. Saddle Tube Fitting, Qty 2
9. Saddle Gasket, Qty 2
10. Compression Nut, Qty 2
11. 1/4" NPT Plug, Optional
12. Saddle Clamp, Qty 2
13. O-Ring Silicone Lube

# SPECIALLY DESIGNED FOR CHEMSTAR® CHLORINATORS

## CH200 OFF-LINE CHLORINATOR

- CH1 CH1004 3" Threaded Cap for CH100 / CH200
- CH2 CH1009 3" O-Ring for CH100 / CH200
- CH4 CH1048 Silicone Lubricant for CH100 / CH200
- CH2-5 CH1065 1/4" Chlorine Control Valve for CH200
- CH2-6 CH1056 Saddle Tube Fitting for CH200
- CH2-7 CH1057 Saddle Gasket for CH200
- CH2-8 CH1066 Saddle Clamp for CH200
- CH2-9 CH1075 Parts Bag for CH200
- CH2-10 CH1074 3/8" OD x 1/4" ID Tubing 8' for CH200



**CH2-9** ProStar # CH1075  
REPLACES # R172064



Parts Bag for CH200  
12 per case

**CH1** ProStar # CH1004  
REPLACES # R172008W



3" Threaded Cap for CH100 / CH200  
25 per case

**CH2** ProStar # CH1009  
REPLACES # R172009



3" O-Ring for CH100 / CH200  
25 per case

**CH3** ProStar # CH1029  
REPLACES # R172255



Screen for CH100  
25 per case

**CH4** ProStar # CH1048  
REPLACES # R172036



Silicone Lubricant for CH100 / CH200  
25 per case

**CH1-5** ProStar # CH1031  
REPLACES # R172253



5/8" OD 18" Tube  
(optional top feed) for CH100  
25 per case

**CH1-6** ProStar # CH1030  
REPLACES # R172048B



1/2" Bromine Standpipe Adapter for CH100  
25 per case

**CH1-7** ProStar # CH1015  
REPLACES # R172134



1/2" MPT PVC Plug for CH100  
25 per case

**CH1-8** ProStar # CH1036  
REPLACES # R01052



#8 x 1/2" Large Slotted  
Hex Head Lock Screw for CH100  
25 per case

**CH1-9** ProStar # CH1018  
REPLACES # R172256



1/2" x Short MPT Nipple for CH100  
25 per case

**CH1-10** ProStar # CH1019  
REPLACES # R172086



1/2" Chlorine Control Valve for CH100  
25 per case

**CH1-11** ProStar # CH1017  
REPLACES # R172272



1/2" 90 NPT x Tube Fitting  
with Nut for CH100  
25 per case

**CH1-12** ProStar # CH1016  
REPLACES # R172210



2" x 1 1/2" SxS Bushing for CH100  
25 per case

**CH1-13** ProStar # CH1027  
REPLACES # R171097



Tube Support Spring for CH100  
25 per case

**CH1-14** ProStar # CH1026  
REPLACES # R172091



5/8" OD Short Feeder Tube for CH100  
25 per case

**CH1-15** ProStar # CH1005  
REPLACES # R172317



Diverter Tee for CH100  
25 per case

**CH1-16** ProStar # CH1010  
REPLACES # R172248



Check Valve for CH100  
25 per case

**CH2-5** ProStar # CH1065  
REPLACES # R172060



1/4" Chlorine Valve for CH200  
25 per case

**CH2-6** ProStar # CH1056  
REPLACES # R172262



Saddle Tube Fitting for CH200  
25 per case

**CH2-7** ProStar # CH1057  
REPLACES # R172263



Saddle Gasket for CH200  
25 per case

**CH2-8** ProStar # CH1066  
REPLACES # R172264



Saddle Clamp for CH200  
25 per case

**CH2-10** ProStar # CH1074  
REPLACES # R172023



3/8" OD x 1/4" ID Tubing 8' for CH200  
25 per case