

Spa Lift Anchor Kit

PART #: F-SPAAK8

MAXIMUM WEIGHT CAPACITY
300 LB. [136 kg] - SPA LIFT ELITE
400 LB. [181 kg] - SPA LIFT ULTRA

MANDATORY

LEAVE THIS MANUAL WITH LIFT OWNER

Read and follow all instructions.
Lift safety can only be ensured if anchor is installed
and operated according to these instructions.

- NEVER permit children to play on or around the lift
- Do not allow children to use the lift without adult supervision
- NEVER apply direct water pressure to the electronics
- NEVER use the lift with a dry pool or spa

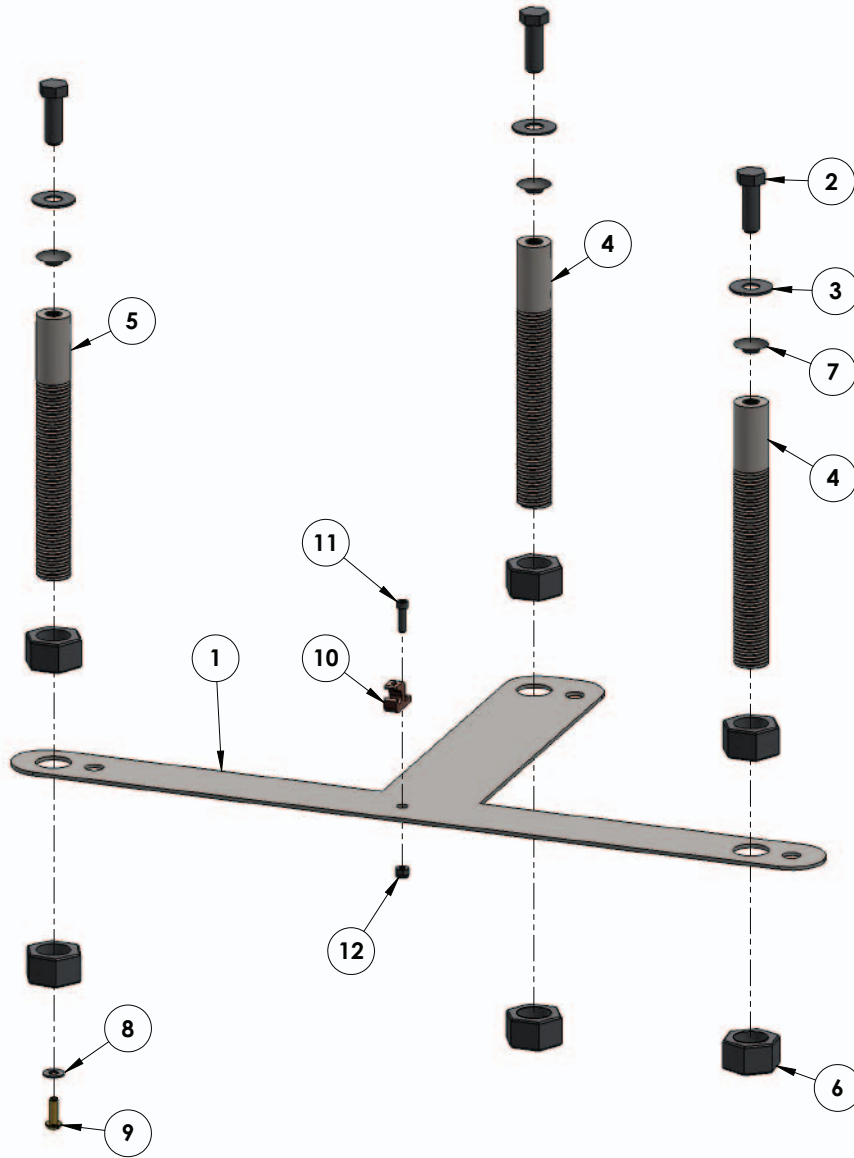
READ CAREFULLY

Check box and all packing materials for parts. Before beginning assembly, read the instructions and identify parts using the figures and parts listed in this document.

It is critical all parts be carefully inspected prior to installation. If any damage occurred in transit, Aqua Creek must be notified within three days of receipt of unit.

Proper installation cannot be overstressed, as an improper installation voids Aqua Creek's warranty and may affect the safety of the user.

Spa Lift Elite Parts List



ITEM #	QTY	PART #	DESCRIPTION
1	1	P-440SAJP	JIG PLATE, SPA ELITE/ULTRA
2	3	BH 1/2 X 1-1/2	BOLT, 316 SS, 1/2-13 X 1 1/2 HCS
3	3	WF 1/2	WASHER, FLAT, 1/2, 316 SS
4	2	P-7200ANB-8	ANCHOR INSERT, 304 SS, 1" DIA X 8" LONG, NON-BONDABLE
5	1	P-7200ANB-8-BB	ANCHOR INSERT, 304 SS, 1" DIA X 8" LONG, BONDABLE
6	6	NH 1 ZINC	NUT, ZINC, HEX, 1"-8
7	3	PIP-1/2-TAB	TAB, PIP-1/2, BLACK CAP
8	1	WF 1/4	WASHER, FLAT, 1/4, 316 SS
9	1	SPH 1/4 X 3/4 BRASS	SCREW, BRASS, 1/4-20 X 3/4" PANHEAD
10	1	GBL-4DB	LUG, IN GROUND BONDING LUG
11	1	BSH 10 X 3/4	BOLT, 316 SS, 10-24 X 3/4", SHCS
12	1	NN 10	NUT, 316 SS, NYLOCK, #10-24
13	1	ANTI SIEZE, PACKET, .75	ANTI SIEZE, PACKET, 5 GRAMS

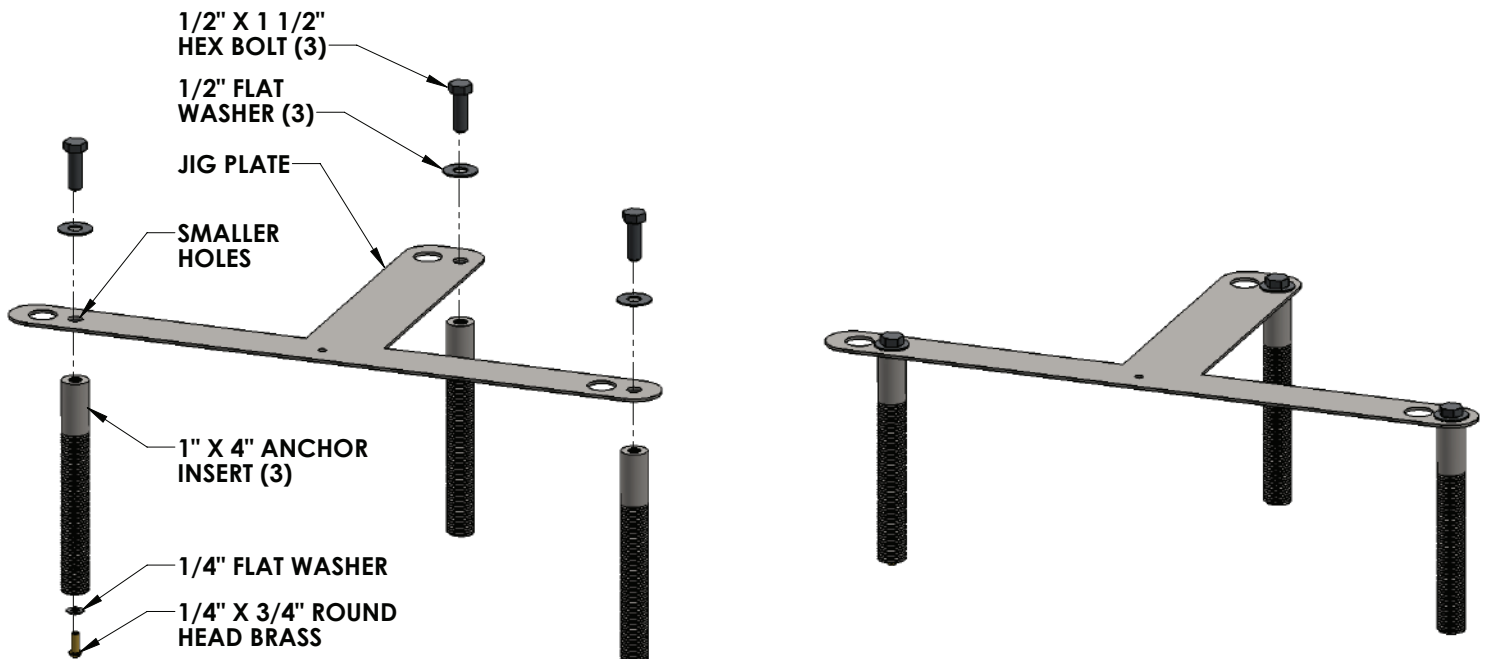
Anchor Installation: Core-Drill Retro-Fit

Required Tools and Materials:

- Hammer
- Core Drill and 1 1/2" Core Drill Bit
- Cold Chisel
- Marker/Chalk
- High Strength 2 Part Construction Epoxy*
- Tape Measure
- Torpedo Level
- Masking Tape
- Black Electrical Tape (optional)

*Aqua Creek recommends either Hilti™ Brand HIT RE-500-SD or Simpson™ Brand SET-XP or equivalent

1. Locate the jig plate, three (3) anchor inserts and mounting hardware.
2. Using the larger holes in the anchor plate as a template, mark the three hole locations with a marking pen on the pool deck. Verify that the CENTER LINE of the front anchors are at least 10" from the pool or spa wall. See FIGURE 1, page 4
3. Using the core drill and the 1-1/2" core drill bit, drill out the three hole locations marked on the pool deck to a depth of 8 1/2".
 - > NOTE: You can use black electrical tape on the end of the drill bit as a visual marker to indicate the proper depth that you need to drill to.
 - >> NOTE: Depending on your local grounding requirements, you may need to drill one hole larger than the others so that you can ground at least one of the anchor inserts. In some cases saw cutting a portion of the deck out completely might be required. In this case, follow the "Saw Cutting Retro-Fit Instructions".
4. Remove the core from the holes using a hammer and chisel. The holes should be completely dry and clear of any debris before installing the anchors into them.
5. Remove the nuts (if needed) from the threaded anchor inserts and the black protective cover from the end of the anchor insert exposing the internal threads that will accept the mounting hardware.
6. Using the smaller holes in the anchor plate, thread the mounting hardware through the anchor plate holes and into the ends of the three anchor inserts so that the tops of the inserts are flush with the BOTTOM of the plate (see diagram below). IMPORTANT: Use the enclosed packet of anti-seize on the threads of the hardware to prevent the hardware from seizing in the anchor inserts.
 - > NOTE: It is recommended that you apply tape to the bottom of the anchor plate around the holes so that when and if the two part epoxy oozes out of the holes that it does not secure the anchor plate to the pool deck.



7. Allow for a way to bond at least one of the anchor inserts according to your local code requirements. This is typically accomplished with 8-AWG solid-copper wire attached to the pool's bonding grid. For more information see NEC Article 680.26.
8. Before putting epoxy into the holes and setting the anchor inserts, you will want to test fit the anchor inserts in the pre-drilled holes first to make sure they line up properly. You can do this by picking up the anchor plate with the three (3) anchor inserts attached to the underside and carefully place them into the three holes drilled in the deck. Using a torpedo level on the plate, verify that you can level up the anchor system. If they do not line up you may have to enlarge your holes.
9. After verifying that the anchor inserts line up with the holes properly and you can level the anchor assembly, remove the anchor assembly and fill each hole in the pool deck at least half full of two part construction epoxy (not included). Aqua Creek recommends either Hilti™ Brand HIT RE-500-SD or Simpson™ brand SET-XP or equivalent.
10. Pick up the anchor assembly with the three (3) anchor inserts attached to the underside and carefully place them into the three holes drilled in the deck. As you place the anchor inserts that are attached to the anchor plate, wiggle the anchor system a little to make sure the epoxy gets on all sides of the anchor inserts.
11. Once the anchor inserts are placed into the holes, use a small torpedo level on the anchor plate to make sure you are level and perpendicular.
12. Allow the epoxy to set up according to the manufacturers recommendations and remove the hardware and the anchor plate. You can now safely mount the lift to the anchor system using the same hardware you used to mount the anchor inserts to the underside of the anchor plate. The anchor plate can be recycled or used for installing a second set of anchors in another location.

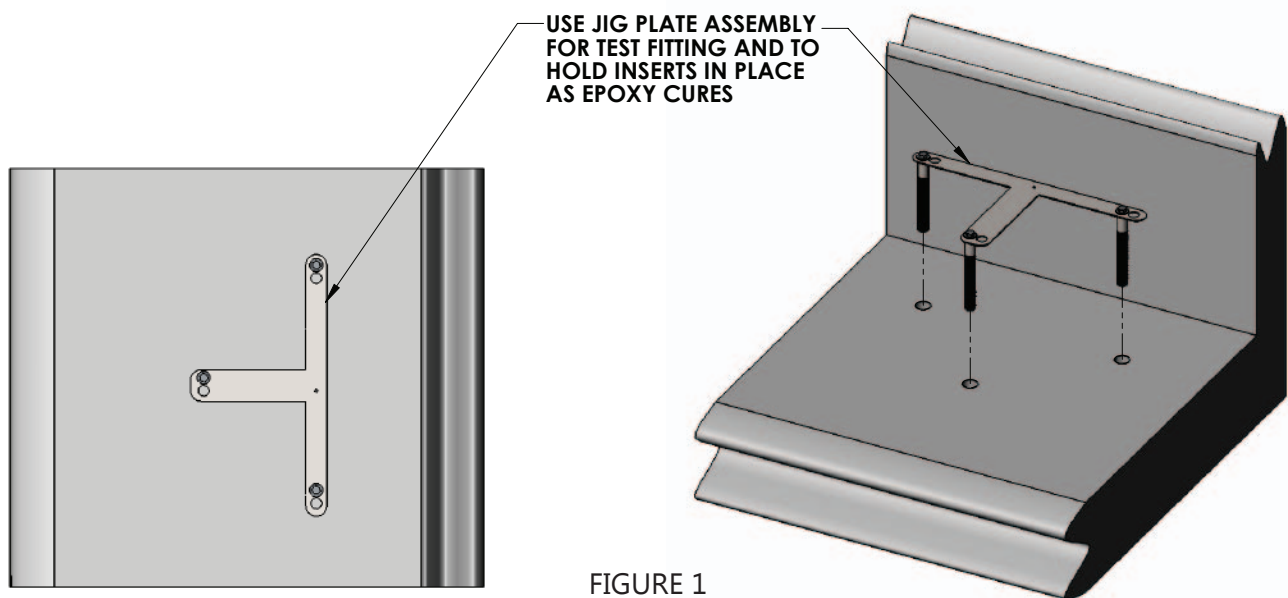
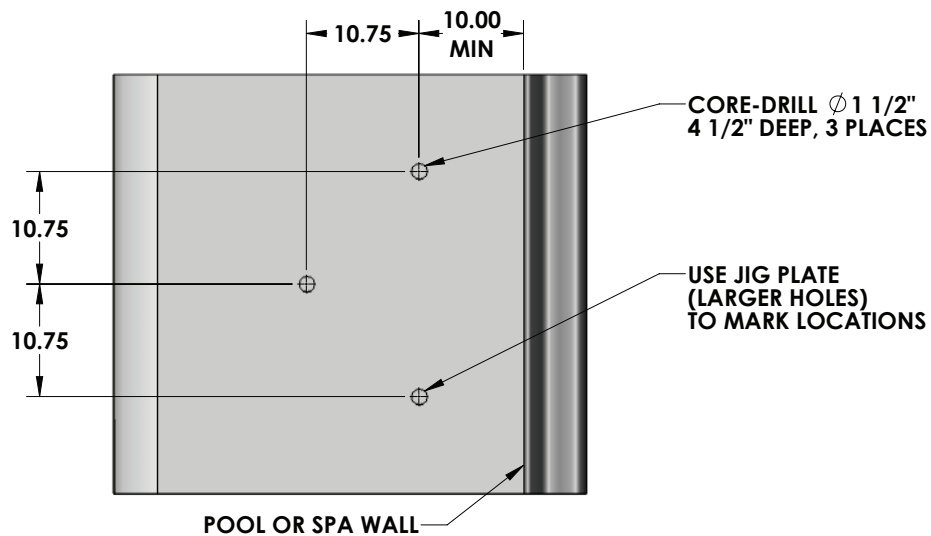
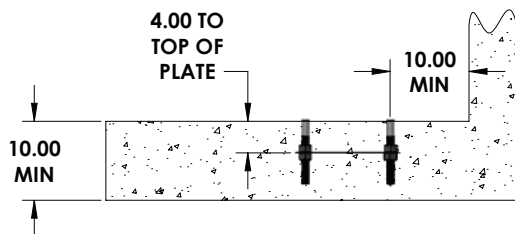
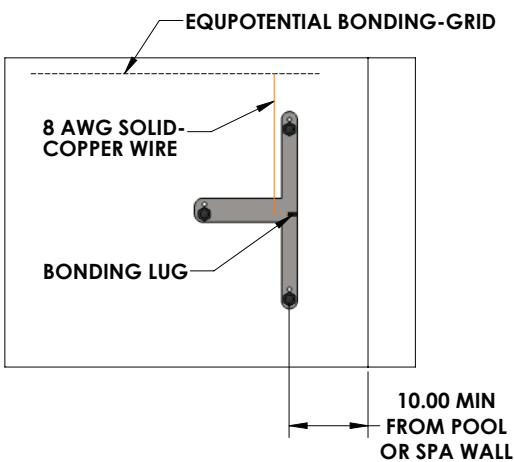
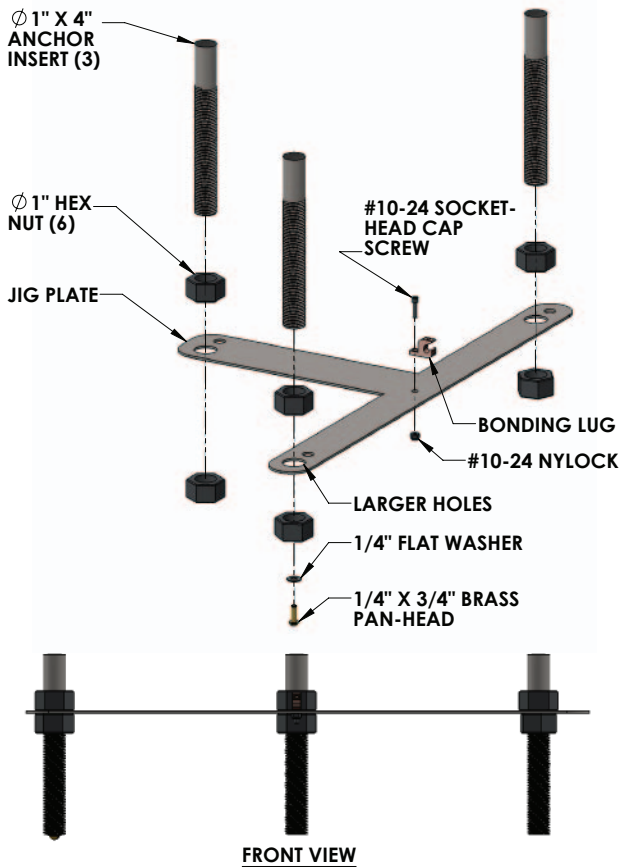


FIGURE 1

Anchor Installation: Saw-Cut Retro-Fit



Required Tools and Materials:

- Sledge Hammer
- Concrete Saw with Diamond Blade
- Cold Chisel
- Concrete and Concrete Tools
- 4 foot long Straight Edge or Chalk Line
- Tape Measure
- Torpedo Level
- String Line
- #4 Rebar

1. Locate the anchor plate, three (3) anchor inserts with nuts and mounting hardware.
2. Mark out a section of the pool deck that you are removing using a chalk line or straight edge and a marker. You should plan on removing at least a three foot three inch by three foot three inch section.
3. Using the saw with the diamond blade, make your cuts along the lines that you marked.
4. Using the sledge hammer, break up the concrete within the area that you cut and remove the pieces.
5. After you have removed the portion of the deck, verify that your new deck will be able to be at least 10 inches deep.
6. Remove ONE of the nuts from each of the anchor inserts and place the anchor inserts through the larger holes in the anchor plate. Thread the nut back on the other side of the anchor insert so that the anchor plate is sandwiched between the nuts. (See diagram at top left).
7. Install rebar in the open area of the deck. Tie the rebar into the existing deck if possible.
8. Set the anchor system in place making sure that the center line of the front anchor inserts are at least 10" away from the pool or spa wall and that the top of the jig plate is embedded at least 4" into the concrete. (See diagram at bottom left).
9. Using the string line or a straight edge, make sure the top of each anchor body is level and flush with the FINISHED deck surface. Each anchor body can be adjusted individually by turning the nuts with a large wrench.
10. Bond the anchor plate to the pool's bonding-grid according to your local code requirements. (See NEC Article 680.26).
11. Pour your concrete and finish the pool deck surface.
12. Once the concrete has cured, install the lift by aligning the holes in the lifts base with the anchors installed in the deck. Secure the lift to the deck using the stainless steel hardware that comes with.
 - > NOTE: Use Anti Seize on the hardware to prevent the hardware from seizing in the anchor inserts.

Anchor Installation: New Construction

For installations where a new deck is being poured, or where a dedicated pad is being poured just for the pool lift, the concrete must satisfy the following requirements;

YOUR POOL DECK MUST BE AT LEAST 3-FEET 3-INCHES LONG BY 3-FEET 3-INCHES WIDE BY 10-INCHES THICK. IT MUST BE REINFORCED WITH 5 STICKS OF #4 REBAR E-W, 2" CLEAR (MIN) FROM THE TOP AND BOTTOM OF THE FOOTING.

Obviously you may make the deck larger than this – which is almost always the case when putting in a deck that surrounds the pool. Note that the entire deck does not need to be 10" thick, but that the area around the installed lift, 3'-3" by 3'-3", should be 10" thick at a minimum. The rest of the deck may be thinner – 4" is typical – as long as it is 10" thick around the lift.

The new deck should be reinforced with five (5) sticks of #4 rebar with a minimum of 2" clearance top and bottom. Our minimum requirement is that the 3'-3" by 3'-3" section be reinforced accordingly, but it is good practice to extend the rebar grid over the entire deck. Commonly, the rebar grid is used for grounding/bonding also. Bonding of the lift can usually be accomplished with a length of bare, 8 AWG solid, copper wire, connected to a piece of the rebar with an approved fitting and then connected to the grounding lug on the anchor plate. Note; this is only effective when the rebar grid itself has been bonded (attached to the pool's equipotential bonding grid with 8-AWG solid-copper wire). See NEC Article 680.26.

CHECK YOUR LOCAL ELECTRICAL CODE: BONDING REQUIREMENTS FOR POOL EQUIPMENT. ALWAYS BOND THE UNIT PER LOCAL ELECTRICAL CODES.

