

OASE GmbH
 Tecklenburger Straße 161
 D - 48477 Hörstel
 Phone: +49(0)54 54 – 800
 Fax: +49(0)54 54 – 80 322
 info@oase-livingwater.com
 www.oase-livingwater.com

ProfiLux LED 1100 / 01

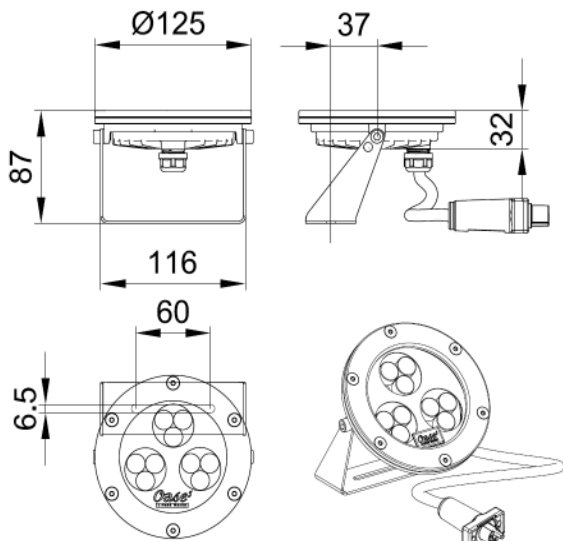
51296



Fresh water	Pool water	Sea water	220-240 V	400 V	110-120 V	50 Hz	60 Hz	12 V AC	24 V DC	DMX	DMX/RDM	Plug & Spray

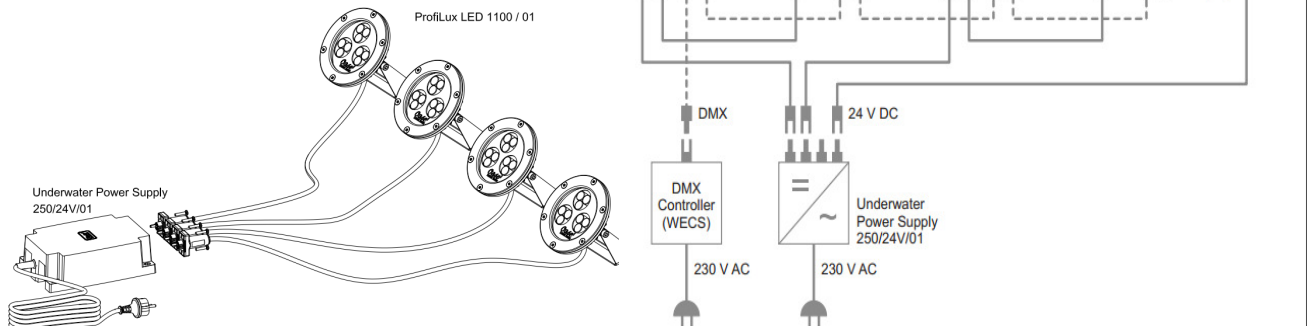
Product characteristics at glance

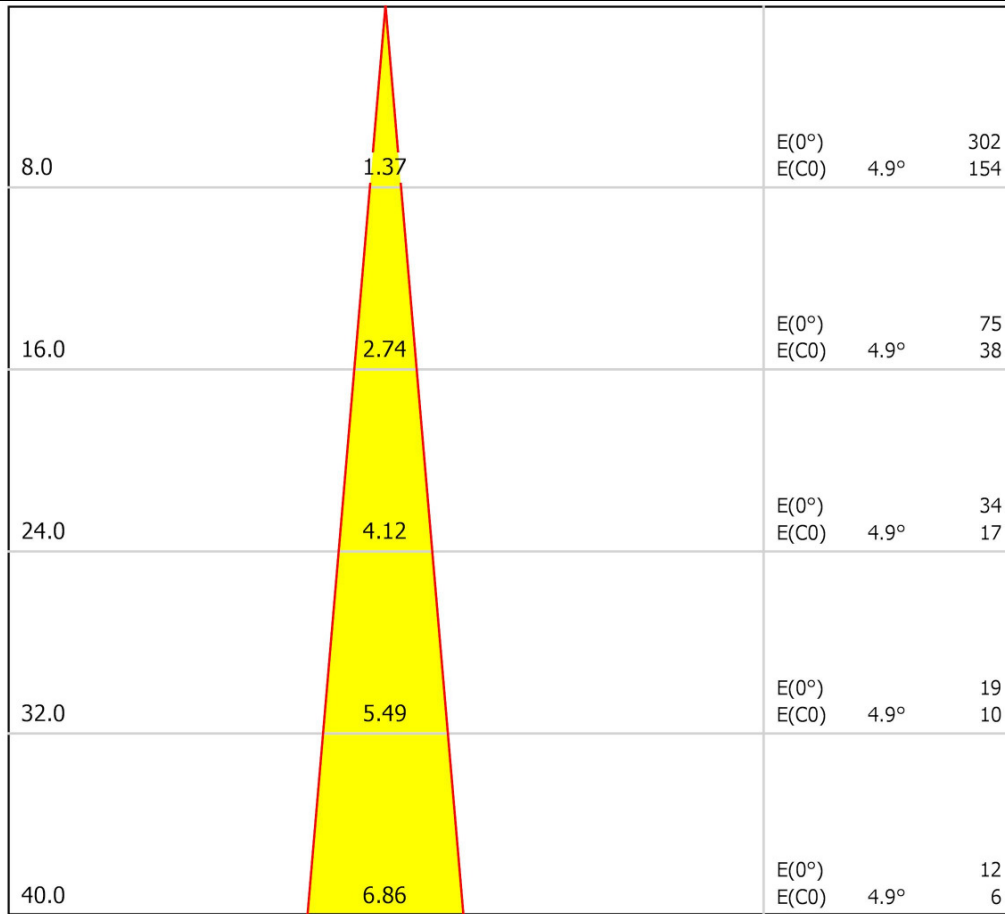
- Energy efficient neutral white LED-light with bracket and fine adjustment
- Power consumption only 23 W
- 918 Lumen with a beam angle of 11°
- Colour temperature 4000 K
- 24 V/DC connector with 4 mtr. cable
- Watertight in accordance with IP 68, easy to connect
- Reverse polarity protection
- Temperature controlled high class LED
- Wet and dry installation
- For fresh water, pool water and sea water
- Dimensions lamp housing: (Ø x h) 125 x 32 mm
- DMX/RDM-controllable with Underwater Switch (24V DC (on/off)
- Lifetime: 100.000h*



*In case of underwater application, an intelligent heat management and quality LED enables a lifetime of up to 100.000 hrs. This claim does not entitle to a guarantee.

Example:





Distance [m] Cone Diameter [m] Illuminance [lx]
 — C0 - C180 (Half-value Angle: 9.8°)

ProfiLux LED 1100 / 01		
Luminous flux white	lm	918
Colour temperature LED white	K	4000 (± 200)
Colour Rendering Index (CRI)	%	80
Beam angle	°	11 (± 2)
Energy efficiency category		A
Weighted energy consumption	kWh/1000h	25.3
Rated voltage	V/DC	24
Power consumption	W	23
Rated current	A	0.95
Dim frequency	Hz	2800
Power connection type		24V DC Plug
Cable length	m	4
Protection class		IP 68
Dimensions (Ø x h)	mm	125 x 87
Material		stainless steel 1.4404 (AISI 316L)
Weight	kg	1.2
Order no.		51296