



Designed for Fun, Built to Last®

8-FT. HOT SHOT ARCADE BALL TABLE ASSEMBLY INSTRUCTIONS



Please Do Not Hesitate to
Contact Our Consumer Hotline
at 800-759-0977
with Any Questions That May
Arise During Assembly or
Use of This Product!

THANK YOU!

Thank you for purchasing this product. We work around the clock and around the globe to ensure that our products maintain the highest possible quality. However, in the rare case of issues during assembly or use of this product, please contact our Consumer Hotline at **800-759-0977** for immediate assistance before contacting your retailer. Please read the warranty information at the back of these assembly instructions for further details.

ASSEMBLY TIPS

IMPORTANT! PLEASE READ THESE ASSEMBLY INSTRUCTIONS IN ENTIRETY BEFORE ASSEMBLING YOUR PRODUCT.

1. Find a clean, level surface to begin the assembly of your game table. We recommend that two adults work together to assemble this game. You may want to carefully cut or tear the four corners of the box so that the bottom of the box can be used as your work surface.
2. Remove all of the contents from box and verify that you have all of the parts shown on the Parts List before you begin assembly. **Note: Some parts may be pre-installed or pre-assembled.**
3. Some figures or drawings may not look exactly like product.
4. **When installing parts that have more than one screw or bolt, hand tighten all screws or bolts in place before final tightening with screwdriver or wrench.**
5. Electric screwdrivers may be helpful during assembly; however, please set a **low torque** and use extreme caution because screws may be stripped or overtightened, resulting in damaged parts, if the electric screwdriver's torque is set too high.

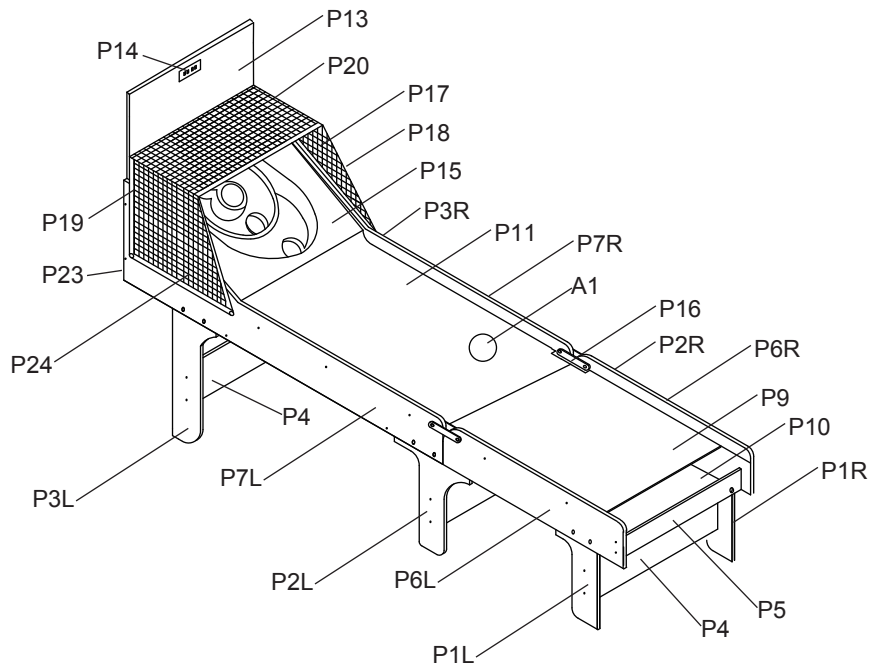


CARE AND USE

1. This product is intended for **INDOOR** use only.
2. Do **NOT** sit, climb or lean on the game table.
3. Do **NOT** drag the table when moving it, as this will damage the legs.

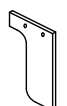
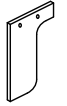


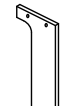
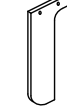
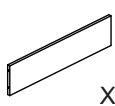
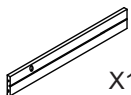
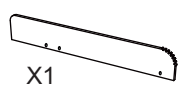

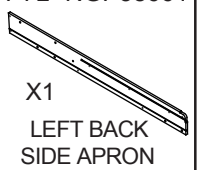
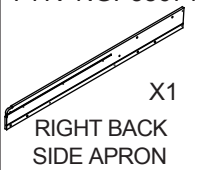
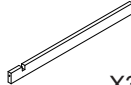

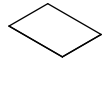
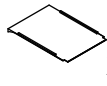
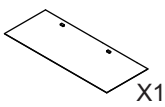
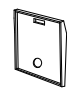

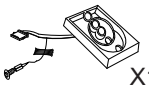
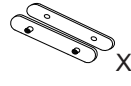
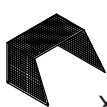
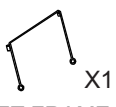
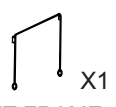
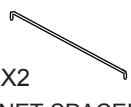
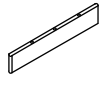
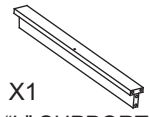
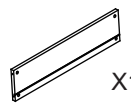
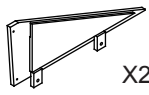



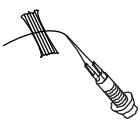


8' HOT SHOT ARCADE BALL TABLE - BG2015

Parts List



Illustrations Not to Scale

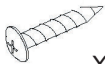

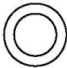






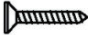




PARTS

<p>P1L NGP5856</p>  <p>X1</p> <p>LEFT FRONT LEG</p>	<p>P1R NGP5857</p>  <p>X1</p> <p>RIGHT FRONT LEG</p>	<p>P2L NGP5858</p>  <p>X1</p> <p>LEFT MIDDLE LEG</p>	<p>P2R NGP5859</p>  <p>X1</p> <p>RIGHT MIDDLE LEG</p>	<p>P3L NGP5860</p>  <p>X1</p> <p>LEFT BACK LEG</p>	<p>P3R NGP5861</p>  <p>X1</p> <p>RIGHT BACK LEG</p>	<p>P4 NGP5862</p>  <p>X3</p> <p>SPREADER</p>
<p>P5 NGP5863</p>  <p>X1</p> <p>FRONT END APRON</p>	<p>P6L NGP5864</p>  <p>X1</p> <p>LEFT FRONT SIDE APRON</p>	<p>P6R NGP5865</p>  <p>X1</p> <p>RIGHT FRONT SIDE APRON</p>	<p>P7L NGP58661</p>  <p>X1</p> <p>LEFT BACK SIDE APRON</p>	<p>P7R NGP58671</p>  <p>X1</p> <p>RIGHT BACK SIDE APRON</p>	<p>P8 NGP5868</p>  <p>X3</p> <p>CROSSBEAM</p>	<p>P9 NGP5870</p>  <p>X1</p> <p>FRONT TOP PANEL</p>
<p>P10 NGP5871</p>  <p>X1</p> <p>FRONT BOTTOM PANEL</p>	<p>P11 NGP5872</p>  <p>X1</p> <p>BACK UPPER PANEL</p>	<p>P12 NGP5873</p>  <p>X1</p> <p>BACK BOTTOM PANEL</p>	<p>P13 NGP5874</p>  <p>X1</p> <p>BACKBOARD</p>	<p>P14 NGP5875</p>  <p>X1</p> <p>ELECTRONIC SCORER</p>	<p>P15 NGP5876</p>  <p>X1</p> <p>TARGET BOARD</p>	<p>P16 NGP5877</p>  <p>X2</p> <p>CONNECT HINGE SET</p>
<p>P17 NGP5878</p>  <p>X1</p> <p>NET</p>	<p>P18 NGP5879</p>  <p>X1</p> <p>NET FRAME FRONT</p>	<p>P19 NGP5880</p>  <p>X1</p> <p>NET FRAME BACK</p>	<p>P20 NGP5881</p>  <p>X2</p> <p>NET SPACER BAR</p>	<p>P21 NGP5882</p>  <p>X2</p> <p>SUPPORT PANEL</p>	<p>P22 NGP5884</p>  <p>X1</p> <p>"L" SUPPORT PANEL</p>	<p>P23 NGP58831</p>  <p>X1</p> <p>REAR APRON</p>
<p>P24 NGP58851</p>  <p>X2</p> <p>TRIANGULAR INSERT</p>	<p>P25 NGP5885</p>  <p>X1</p> <p>COVER PANEL</p>	<p>A1 NGP5886</p>  <p>X6</p> <p>BALL</p>	<p>NGP5888</p> <p>Pre-assembled on Side Aprons</p>  <p>RUBBER GEAR HINGE</p>	<p>NGP5890*</p>  <p>RESET SWITCH</p>	<p>NGP58761*</p>  <p>TARGET BOARD WIRING HARNESS</p>	<p>NGP58762*</p>  <p>TARGET BOARD FLIP SWITCH</p>

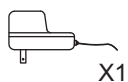
For replacement parts please call 800-759-0977.

*Pre-assembled on Target Board

HARDWARE PACK - NGP5887

<p>H1</p>  <p>X40</p> <p>1-1/4" SCREW</p>	<p>H2</p>  <p>X12</p> <p>5/16" BOLT</p>	<p>H3</p>  <p>X12</p> <p>5/16" WASHER</p>	<p>H4</p>  <p>X8</p> <p>1/4"X1-1/4" BOLT</p>	<p>H5</p>  <p>X4</p> <p>1/4"X1" BOLT</p>	<p>H6</p>  <p>X8</p> <p>1/4" FLAT WASHER</p>	<p>H7</p>  <p>X8</p> <p>1/4" FLAT WASHER</p>
<p>H8</p>  <p>X6</p> <p>3/4" SCREW</p>	<p>H9</p>  <p>X4</p> <p>3/8" SCREW</p>	<p>H10</p>  <p>X6</p> <p>1-1/4" FLAT SCREW</p>	<p>H11</p>  <p>X4</p> <p>3/4" FLAT SCREW</p>	<p>T1</p>  <p>X1</p> <p>ALLEN WRENCH</p>	<p>ADDITIONAL EQUIPMENT REQUIRED:</p>  <p>PHILLIPS HEAD SCREWDRIVER</p>  <p>(4) AA BATTERIES</p>	

T2 NGP58763

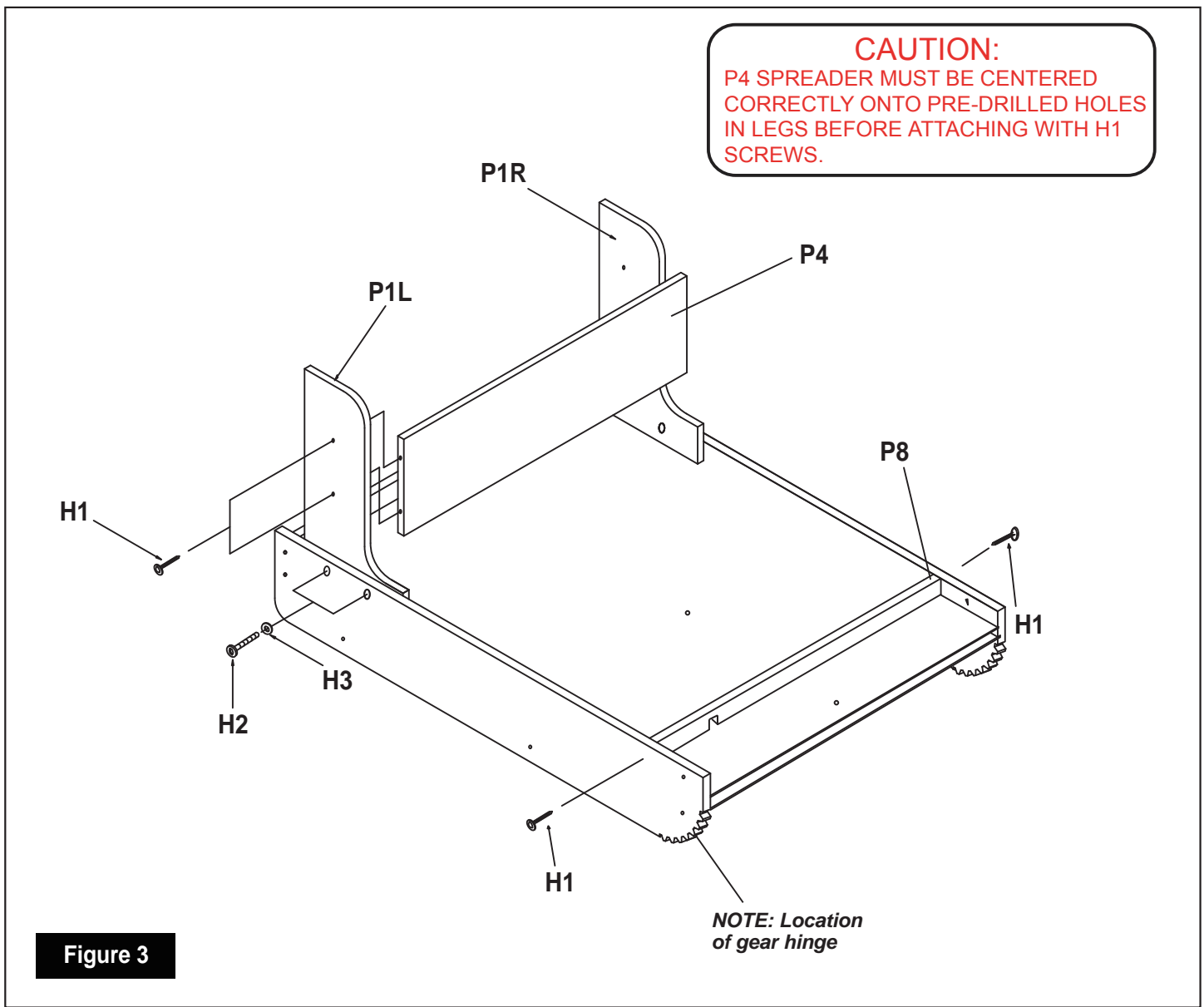


X1
POWER ADAPTER

Illustrations Not to Scale

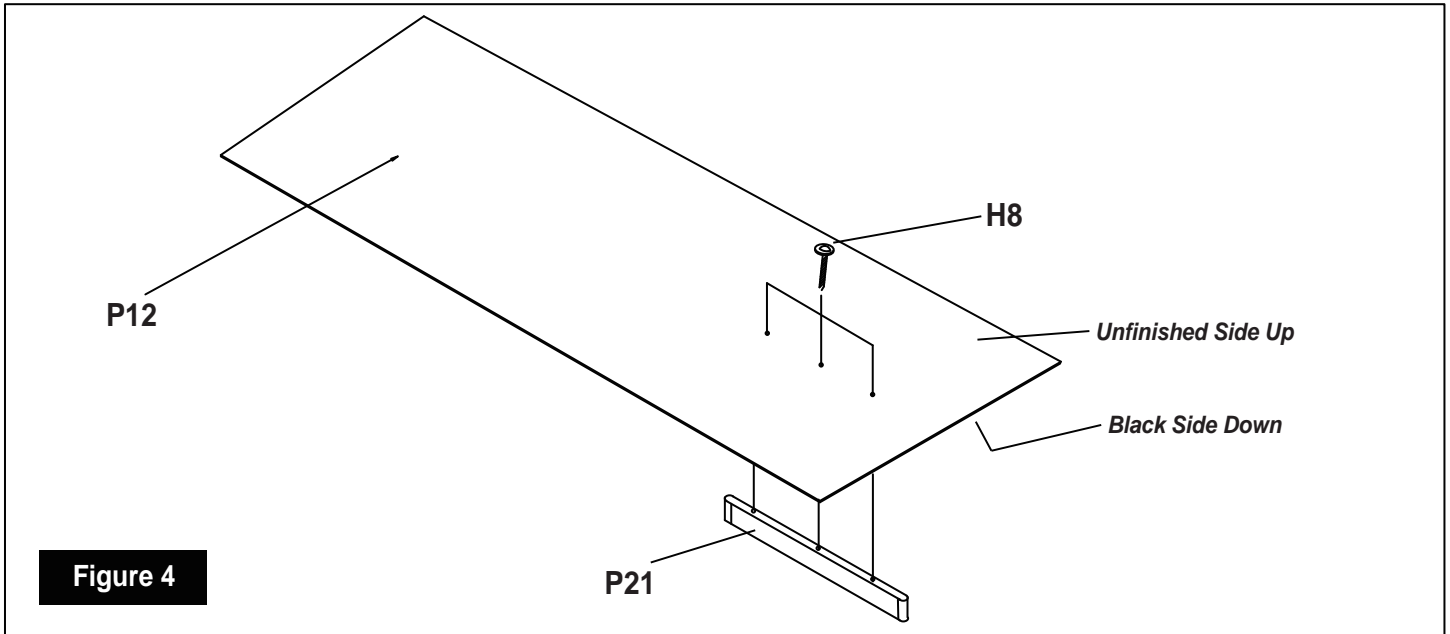
ASSEMBLY INSTRUCTIONS (CONT.)

7. Attach CROSSBEAM, P8, with cutout opening facing down and to the left, using (2) SCREWS, H1, and pre-drilled holes on each side, as shown in Figure 3.
8. Attach LEFT and RIGHT FRONT LEGS, P1L and P1R, using (2) BOLTS, H2, and (2) WASHERS, H3, on each leg, as shown in Figure 3. *Note: Hand tighten for now, and then do final tightening with ALLEN WRENCH, T1, once P4 Spreader is attached in next step.*
9. Attach SPREADER, P4, using (4) SCREWS, H1, as shown in figure 3. *Note: Hand place screws in all four pre-drilled holes to align panel before tightening.*

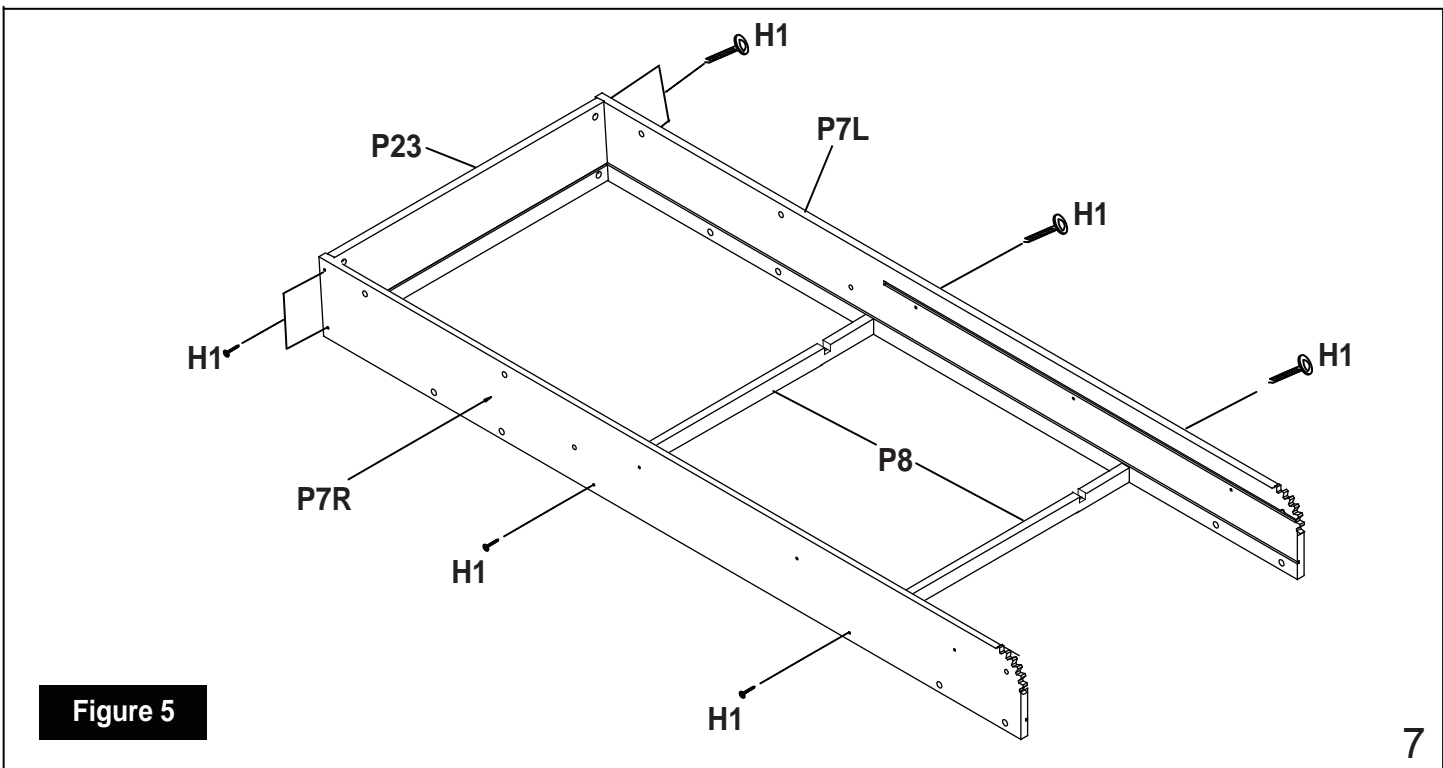


ASSEMBLY INSTRUCTIONS (CONT.)

10. Attach the SUPPORT PANEL, P21, to the FRONT BOTTOM PANEL, P10, using (3) SCREW, H8, through the three holes as shown in Figure 4. *Note: The P12 panel and P21 support panel both have pre-drilled holes for screws.*



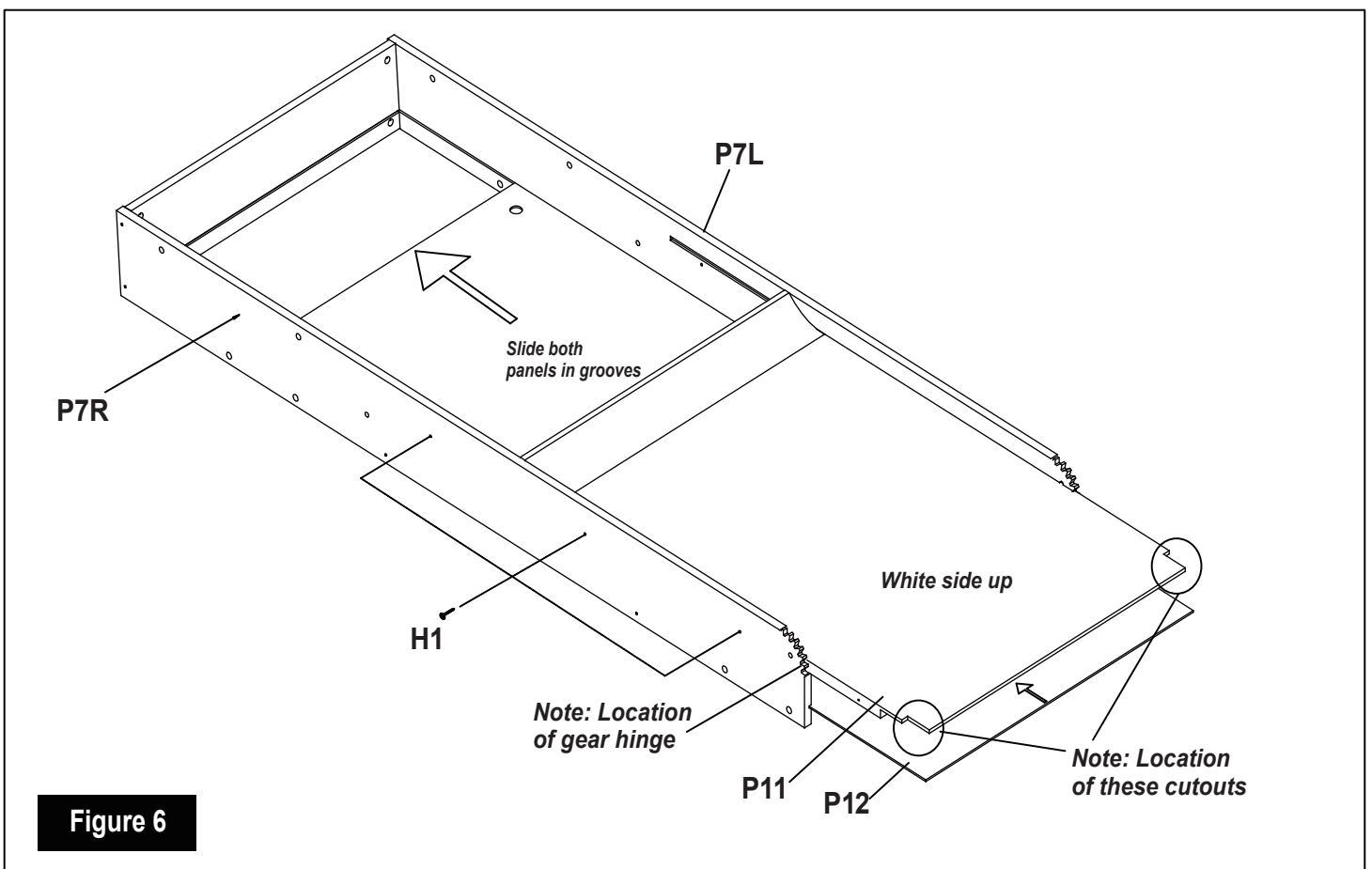
11. Attach REAR APRON, P23, and CROSSBEAM, P8, to the LEFT BACK SIDE APRON, P7L, and RIGHT BACK SIDE APRON, P7R using (4) SCREW, H1 as shown in Figure 5.



ASSEMBLY INSTRUCTIONS (CONT.)

12. Insert BACK BOTTOM PANEL, P12, with unfinished side down, into lower grooves of SIDE APRONS, P7L and P7R. Slide P12 forward until the end is flush with SIDE APRON ends below gear hinges, as shown in Figure 6.

13. Insert BACK TOP PANEL, P11, with finished white side up, into upper grooves of SIDE APRONS, P7L and P7R. Make sure the end of P11 with the cutouts is on the same end as gear hinge as shown in Figure 6. Slide P11 forward until the end with cutout is flush with SIDE APRON ends above gear hinges. With help from another adult, hold this assembly firmly and attach pieces together using (3) SCREWS, H1, and pre-drilled holes on each side.



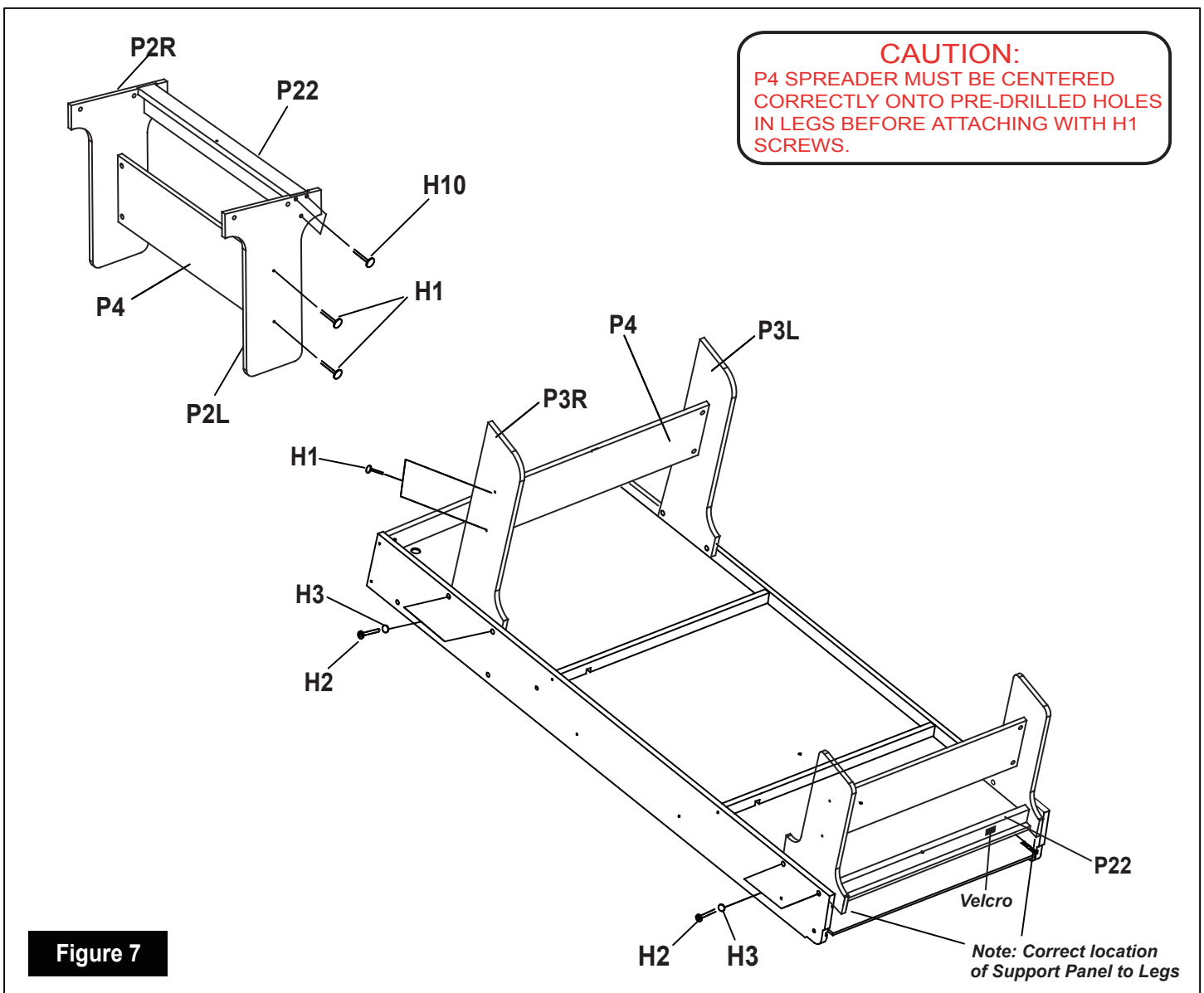
ASSEMBLY INSTRUCTIONS (CONT.)

14. Assemble LEFT and RIGHT MIDDLE LEGS, P2L and P2R, together with SPREADER, P4, using (4) SCREWS, H1, as shown in Figure 7. *Note: Hand place screws in all four pre-drilled holes to align panel before tightening.* Attach "L" SUPPORT PANEL, P22, in same manner using (6) SCREWS, H10, as shown.

15. Attach Middle Leg Assembly between assembled sides, P7L and P7R, using (2) BOLTS, H2, and (2) WASHERS, H3, on each leg, as shown in Figure 7. *Note: Velcro will be used as wire harness in future step.*

16. Attach LEFT and RIGHT BACK LEGS, P3L and P3R, using (2) BOLTS, H2, and (2) WASHERS, H3, on each leg, as shown in Figure 7. *Note: Hand tighten for now, and then do final tightening with ALLEN WRENCH, T1, once P4 Spreader is attached in next step.*

17. Attach SPREADER, P4, between Legs using (4) SCREWS, H1, as shown in Figure 7. *Note: Hand place screws in all four pre-drilled holes to align panel before tightening.*



ASSEMBLY INSTRUCTIONS (CONT.)

18. With the help of another adult, set both completed assemblies upright and position so gears face each other as shown in Figure 8. Using (2) HINGE SETS, P16, connect assemblies using BOLT, H5, and Washer, H7, as shown in Figure 8. The bolts should be snug, but NOT over tightened as this is a pivot area. *Note: Hinge gear assemblies must mesh together, per diagram, and there should be no gap between playfields. Also, only one hinge plate per set is threaded and must be installed on the inside of each playfield side.*
19. Attach TRIANGULAR PATCH, P24, on each side aprons using (2) BOLTS, H4, and (2) WASHERS, H6, on each patch, as shown in Figure 8.
20. Place TARGET BOARD, P15, with red hole at the top, into position with the sides resting in the grooves of the braces on the side panels and against the front of the ramp.
21. Attach the RESET BUTTON, with the long white wire, through the hole in the FRONT END APRON, P5, by removing the washer and nut on the back of the Reset Button, feeding the Reset Button and wire through the hole from the front and re-attaching the washer and nut. *Note: Be careful not to damage or break wire connections while attaching Reset Button.*

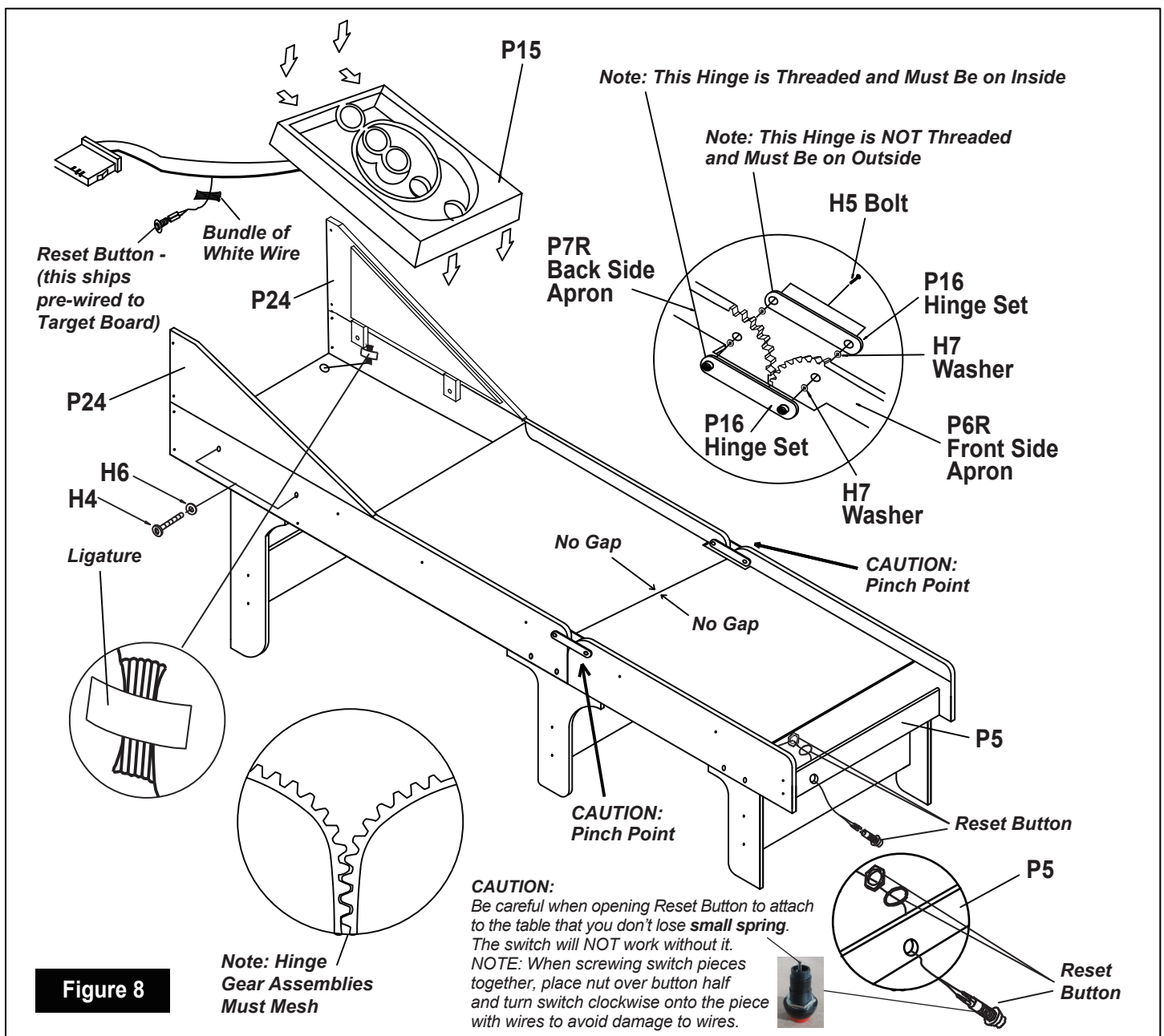


Figure 8

ASSEMBLY INSTRUCTIONS (CONT.)

22. Feed the long white wire through the cutouts in all CROSSBEAMS, P8, and the Velcro on P22, toward the back and up through the hole in the BACK BOTTOM PANEL, P12. This will connect to the short white wire on the wiring harness.
23. Feed the Target Board's Wiring Harness through the round hole in the BACKBOARD, P13, and attach the Backboard between the TRIANGLE PATCH using (4) SCREWS, H1, as shown in figure 9. *Note: Hand place screws in all four pre-drilled holes to align panel before tightening.*
24. Attach ELECTRONIC SCORER, P14, to Backboard using (4) SCREWS, H9, as shown. Connect the Wiring Harness from the Electronic Scorer to the Target Board's Wiring Harness.
25. Attach COVER PANEL, P25, over Wiring Harness and to Backboard using (4) SCREWS, H11, as shown in Figure 9.
26. Plug in the AC Power Adapter (DO NOT use batteries with adapter), or install four (4) "AA" batteries (not included), into the backside of the Electronic Scorer, P14. Remove protective plastic film from face of Electronic Scorer.

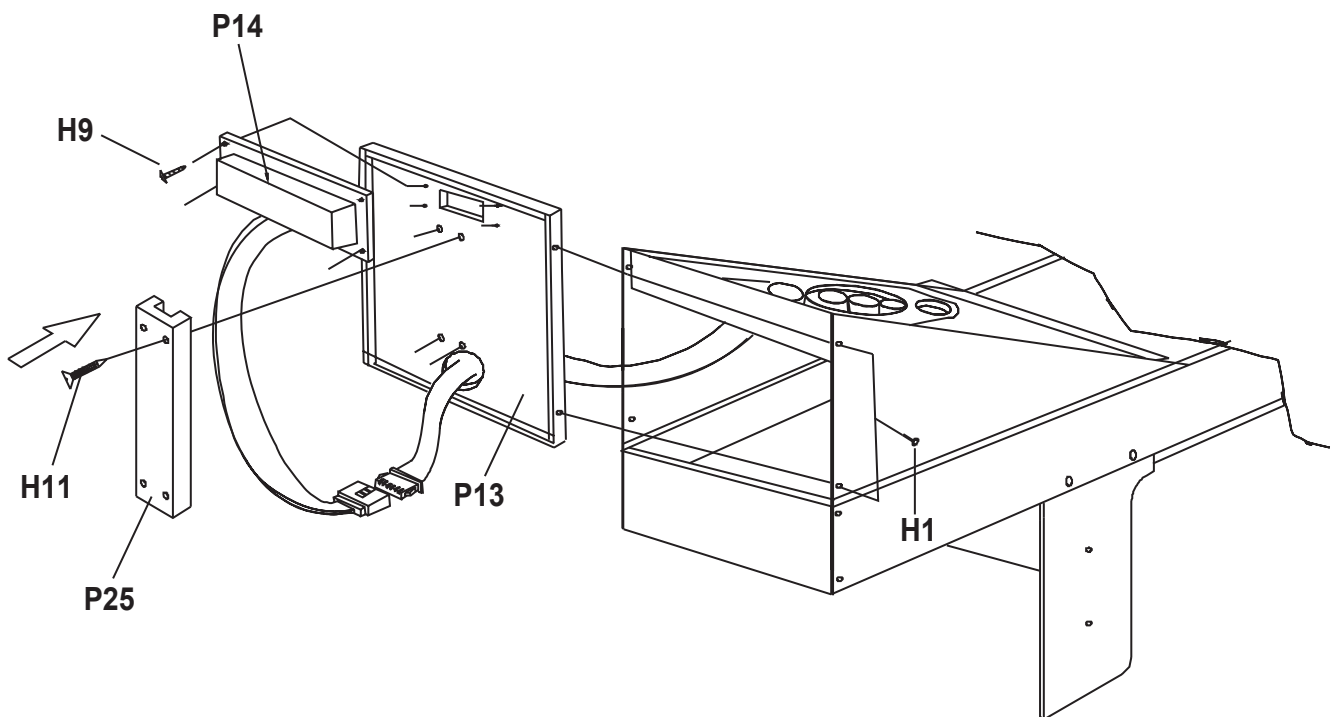
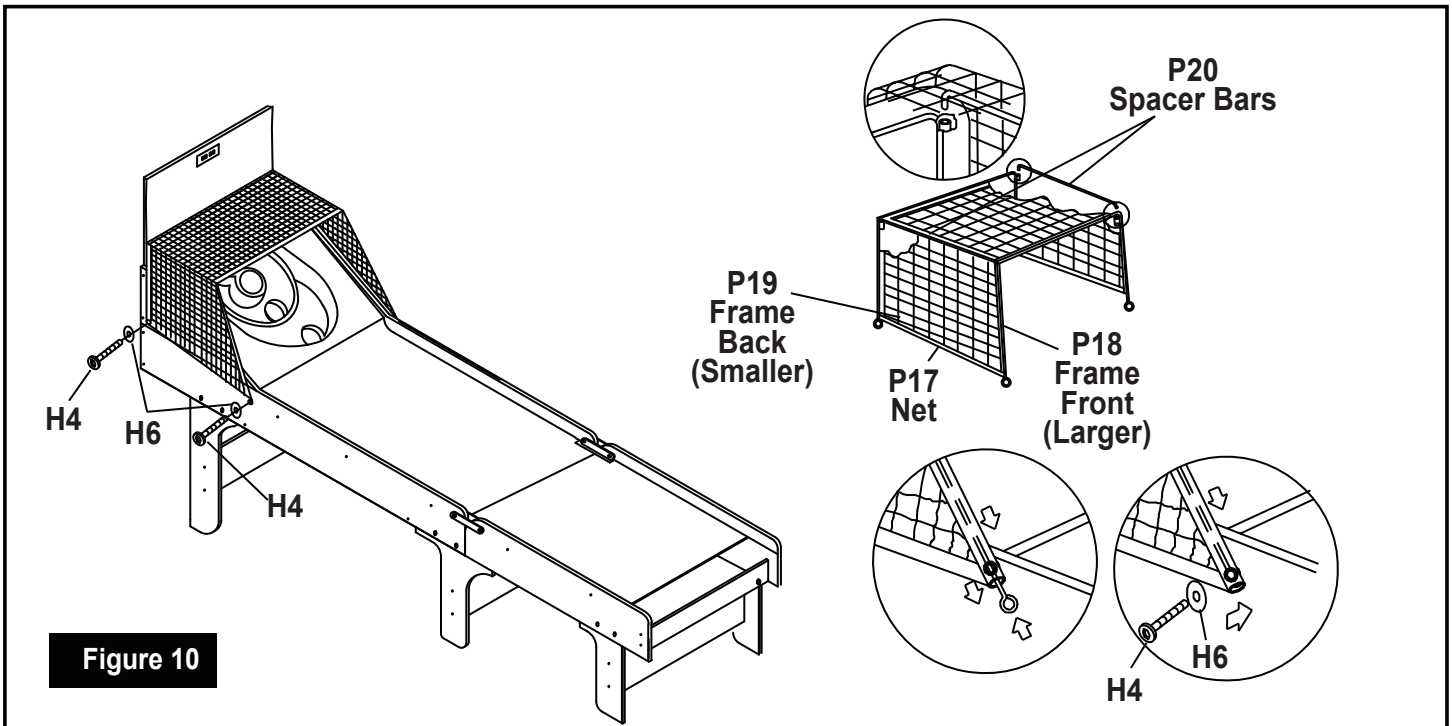


Figure 9

ASSEMBLY INSTRUCTIONS (CONT.)

27. Loosely attach NET FRAME FRONT, P18, and NET FRONT BACK, P19, to the Back Side Aprons and Triangle Patch using (4) BOLTS, H4, and WASHERS, H6, through the eye hole at the bottom of the frames.
28. Attach (2) NET SPACER BARS, P20, between the Front and Back Frames, on either side, by inserting the curved ends into the frame receptacle as shown in Figure 10
29. Drape the NET, P17, over the frame with the longest side, and corner rivets, running side to side. The net will angle down toward the front. Now remove Bolts loosely attached in Step 27, one at a time, and re-insert Bolt through Corner Rivets and back through Frame Eye Hole until all four are securely attached. Use Velcro on Net to secure Net to Frame.



FINAL SET-UP & HOW TO PLAY

1. Using two adults, set the unit in a suitable location in your game room.
2. Plug in the AC Power Adapter (DO NOT use batteries with adapter), or install four (4) “AA” batteries (not included), into the backside of the Electronic Scorer, P14
3. Turn the power switch to the ON position.
4. When all “zeroes” are showing on the score board, press the reset button on the front of the unit. You are now ready to play.
5. Each player rolls six (6) balls per game trying to reach the highest score. If a ball is rolled and it doesn’t score, you may roll that ball again. The player with the highest score wins.
6. After both players have rolled their six balls, press the Reset Button to play again.
7. Turn the power OFF when not in use.

CAUTION: DO NOT THROW the ball at the target board as this may cause damage to the game. The correct and safe way is to always ROLL the ball along the runway.

180-DAY LIMITED WARRANTY

This product is warranted to the original purchaser to be free from defects in material or workmanship for a period of 180 days from the date of the original retail purchase.

This warranty does not cover defects or damage due to improper installation, alteration, accident or any other event beyond the control of the manufacturer. Defects or damage resulting from misuse, abuse or negligence will void this warranty. This warranty does not cover scratching or damage that may result from normal usage.

This product is not intended for institutional or commercial use; the manufacturer does not assume any liability for such use. Institutional or commercial use will void this warranty.

This warranty is nontransferable and is expressly limited to the repair or replacement of the defective product. During the warranty period, the manufacturer shall repair or replace defective parts at no cost to the purchaser. Shipping charges and insurance are not covered and are the responsibility of the purchaser. Labor charges and related expenses for removal, installation or replacement of the product or components are not covered under this warranty.

The manufacturer reserves the right to make substitutions to warranty claims if parts are unavailable or obsolete.

The manufacturer shall not be liable for loss of use of the product or other consequential or incidental costs, expenses or damages incurred by the consumer of any other use. The user assumes all risk of injury resulting from the use of this product.

This warranty is expressly in lieu of all other warranties, expressed or implied, including warranties of merchantability or fitness for use to the extent permitted by Federal or state law. Neither the manufacturer nor any of its representatives assumes any other liability in connection with this product.

All warranty claims must be made through the retailer where the product was originally purchased. A purchase receipt or other proof of date of purchase will be required to process all warranty claims. The model number and part numbers found within the assembly instructions will be required when submitting any parts requests or warranty claims.

For further warranty information or inquiries, please call 800-759-0977



Designed for Fun, Built to Last®

TABLE DE BALLON D'ARCADE HOT SHOT 2,43 M INSTRUCTIONS D'ASSEMBLAGE



Contactez notre
service à la clientèle au
800-759-0977
avec des questions sur le montage
ou l'utilisation de ce produit.

MERCI!

Merci d'avoir acheté notre produit. Nous travaillons 24 heures sur 24, partout dans le monde, à garantir que nos produits sont de la meilleure qualité possible. Toutefois, dans les rares cas de problèmes lors du montage ou de l'utilisation de ce produit, se il vous plaît communiquer avec notre service à la clientèle au **800-759-0977** pour une aide immédiate avant de contacter votre revendeur. Pour obtenir de plus amples renseignements, veuillez lire l'information relative à la garantie au verso de ce guide d'instructions.

INSTRUCTIONS D'ASSEMBLAGE

IMPORTANT! VEUILLEZ LIRE, EN ENTIER, TOUTES LES INSTRUCTIONS AVANT D'ASSEMBLER VOTRE PRODUIT.

1. Trouver une surface propre et plane, pour commencer le montage de votre table de jeu. La table s'assemble à l'envers pour être ensuite retournée sur ses pieds, une fois l'assemblage complété. Cette table est lourde et nécessite au moins deux adultes forts pour la soulever et la retourner.
2. Retirez le contenu de la boîte, avant de commencer l'assemblage, assurez-vous d'avoir toutes les pièces telles que listées et illustrées au tableau d'identification. **Avis : certaines pièces sont préassemblées ou préinstallées.**
3. Certaines illustrations ou dessins peuvent ne pas ressembler au produit que vous avez acheté.
4. **Quand vous fixez en place une pièce avec plus d'une vis ou écrou, veuillez, en premier, les visser à la main et terminer la fixation avec un tournevis ou une clé.**
5. Un tournevis électrique peut être utile lors de l'assemblage, mais veuillez le régler à **basse torque** et l'utiliser avec prudence; si la torque est trop élevée, la vis peut se défaire ou être trop serrée.

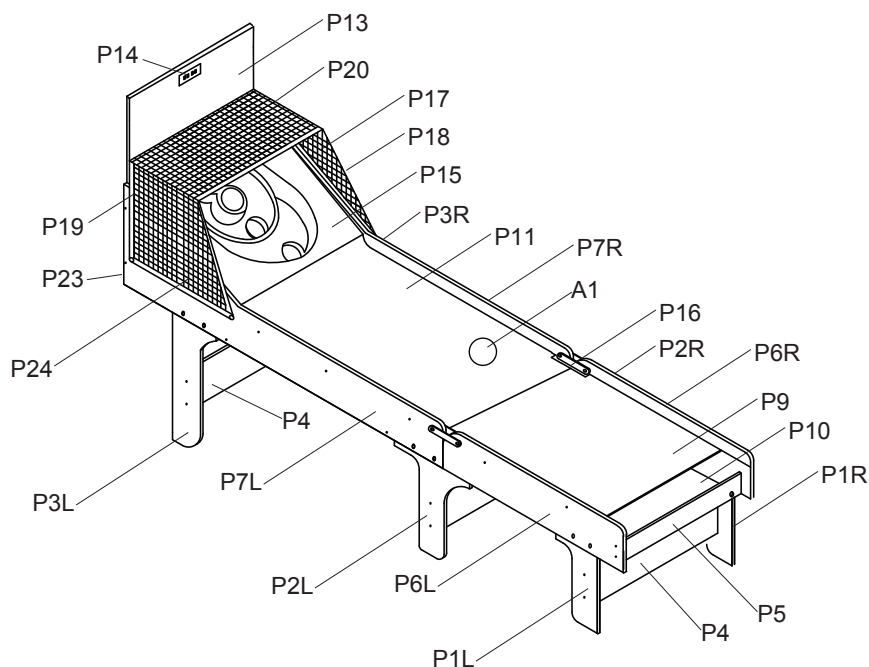


ENTRETIEN ET USAGE

1. Ce produit doit être utilisé **À L'INTÉRIEUR** seulement.
2. **NE PAS** s'asseoir, grimper ou s'appuyer sur la table de jeu.
3. **NE PAS** tirer sur la table pour la déplacer, cela risque d'endommager les pieds de la table.

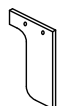

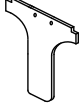

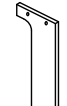

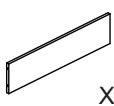
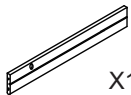
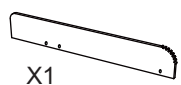


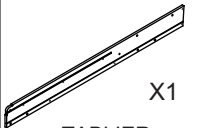
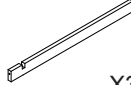

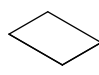

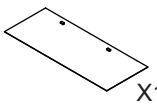
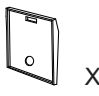

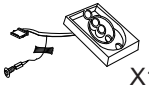
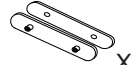
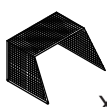

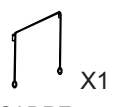
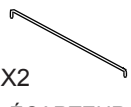
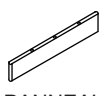
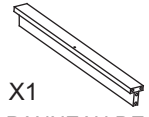
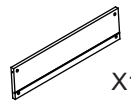
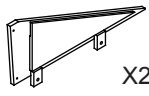

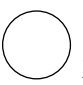

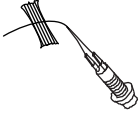


TABLE DE BALLON D'ARCADE HOT SHOT 2,43 m - BG2015

Liste des pièces



illustrations non à l'échelle

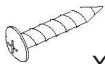






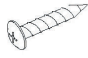






PIÈCES

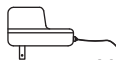
P1L NGP5856  X1 PIED GAUCHE AVANT	P1R NGP5857  X1 PIED DROIT AVANT	P2L NGP5858  X1 PIED GAUCHE CENTRE	P2R NGP5859  X1 PIED DROIT CENTRE	P3L NGP5860  X1 PIED GAUCHE ARRIÈRE	P3R NGP5861  X1 PIED DROIT ARRIÈRE	P4 NGP5862  X3 ÉCARTEUR
P5 NGP5863  X1 TABLIER AVANT	P6L NGP5864  X1 TABLIER GAUCHE AVANT	P6R NGP5865  X1 TABLIER AVANT DROIT	P7L NGP58661  X1 TABLIER ARRIÈRE GAUCHE	P7R NGP58671  X1 TABLIER ARRIÈRE DROIT	P8 NGP5868  X3 TRAVERSE	P9 NGP5870  X1 PANNEAU SUPÉRIEUR AVANT
P10 NGP5871  X1 PANNEAU INFÉRIEUR AVANT	P11 NGP5872  X1 PANNEAU SUPÉRIEUR ARRIÈRE	P12 NGP5873  X1 PANNEAU INFÉRIEUR ARRIÈRE	P13 NGP5874  X1 PANNEAU ARRIÈRE	P14 NGP5875  X1 MARQUEUR ÉLECTRONIQUE	P15 NGP5876  X1 PANNEAU CIBLE	P16 NGP5877  X2 ENSEMBLE DE CHARNIÈRE
P17 NGP5878  X1 FILET	P18 NGP5879  X1 CADRE AVANT FILET	P19 NGP5880  X1 CADRE ARRIÈRE FILET	P20 NGP5881  X2 ÉCARTEUR POUR FILET	P21 NGP5882  X2 PANNEAU DE SOUTIEN	P22 NGP5884  X1 PANNEAU DE SOUTIEN EN "L"	P23 NGP58831  X1 TABLIER ARRIÈRE
P24 NGP58851  X2 INSÉRER TRIANGULAIRE	P25 NGP5885  X1 PANNEAU DE COUVERTURE	A1 NGP5886  X6 BALLON	NGP5888 <i>pré-assemblé sur tablier de côté</i>  X1 VITESSE CHARNIÈRE	NGP5890*  X1 COMMUTATEUR DE RÉINITIALISATION	NGP58761*  X1 PANNEAU CIBLE FAISCEAU DE CÂBLAGE	NGP58762*  X1 PANNEAU CIBLE INTERRUPTEUR BASCULE

**Pour commander une pièce de remplacement,
veuillez téléphoner au 1 800 759-0977**

*pré-assemblé sur panneau cible

TROUSSE DE QUINCAILLERIE – NGP5887

<p>H1</p>  <p>X40</p> <p>VIS 3,1 cm</p>	<p>H2</p>  <p>X12</p> <p>BOULON 0,79 cm</p>	<p>H3</p>  <p>X12</p> <p>RONDELLE 0,79 cm</p>	<p>H4</p>  <p>X8</p> <p>BOULON 3,1 cm x 0,64 cm</p>	<p>H5</p>  <p>X4</p> <p>BOULON 2,5 cm x 0,64 cm</p>	<p>H6</p>  <p>X8</p> <p>RONDELLE PLATE 0,64 cm</p>	<p>H7</p>  <p>X8</p> <p>RONDELLE PLATE 0,64 cm</p>
<p>H8</p>  <p>X6</p> <p>VIS 1,90 cm</p>	<p>H9</p>  <p>X4</p> <p>VIS 0,95 cm</p>	<p>H10</p>  <p>X6</p> <p>VIS 3,18 cm</p>	<p>H11</p>  <p>X4</p> <p>VIS 1,8 cm</p>	<p>T1</p>  <p>X1</p> <p>CLÉ HEXAGONALE</p>	<p>ÉQUIPEMENT ADDITIONNEL REQUIS :</p>  <p>TOURNEVIS CRUCIFORME</p>  <p>(4) PILES AA</p>	

<p>T2 NGP58763</p>  <p>X1</p> <p>ADAPTATEUR SECTEUR</p>
--

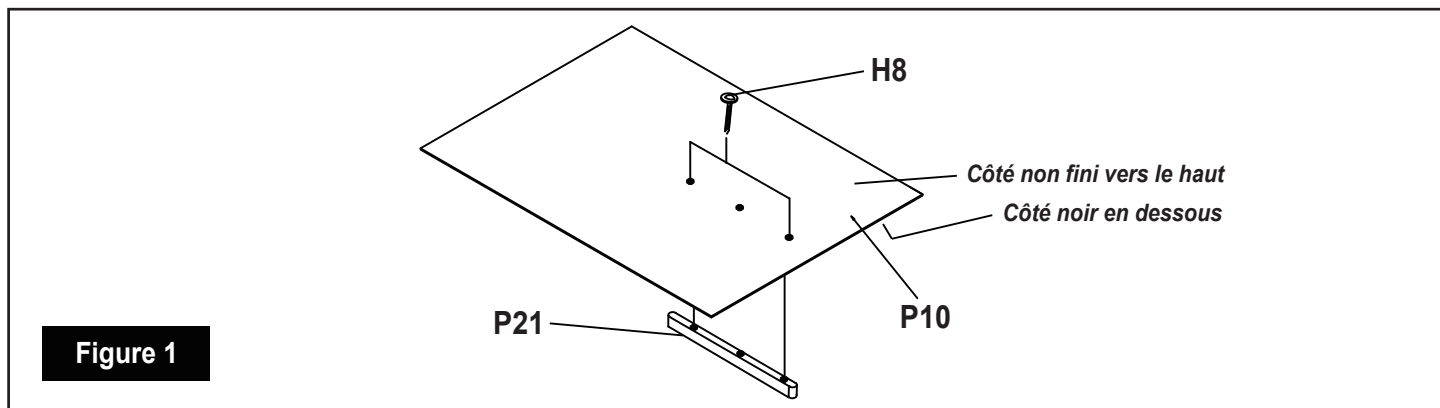
illustrations non à l'échelle

**Pour commander une pièce de remplacement,
veuillez téléphoner au 1 800 759-0977**

INSTRUCTIONS D'ASSEMBLAGE

1. Commencez d'assembler votre table de jeu dans un lieu propre et lisse et de niveau. Il est conseillé de le monter sur les cartons d'expédition afin de ne pas abîmer les pièces lors de l'assemblage. *Avis : Les deux structures principales sont assemblées à l'envers et ensuite retournées pour terminer l'assemblage.*

2. Fixez le PANNEAU DE SUPPORT (P21) au PANNEAU INFÉRIEUR AVANT (P10) en insérant trois VIS (H8) dans les ouvertures extérieures tel qu'illustré à la Figure 1. *Avis : le panneau (P10) et le panneau de support (P21) sont dotés de trous pré-perçés pour y insérer les vis.*

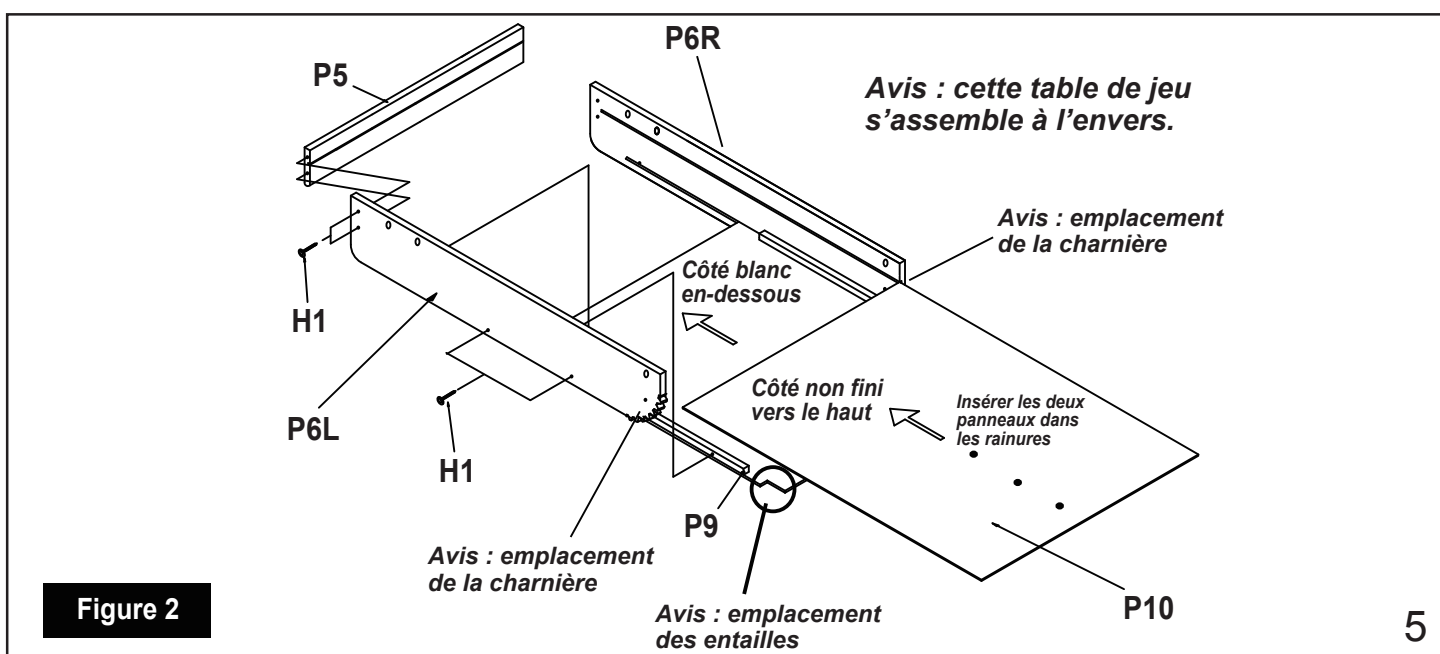


3. Placez le TABLIER LATÉRAL GAUCHE AVANT (P6L) et le TABLIER LATÉRAL DROIT AVANT (P6R) à l'envers, à environ 65 cm de distance tel qu'illustré à la Figure 2.

4. Insérez le PANNEAU SUPÉRIEUR AVANT (P9), côté blanc en dessous, dans les rainures inférieures du TABLIERS LATÉRAL GAUCHE AVANT (P6L) et du TABLIER LATÉRAL DROIT AVANT (P6R). Assurez-vous que les entailles situées à l'extrémité du panneau P9 soient sur le même côté que la charnière tel qu'illustré à la Figure 2. Faites glisser le panneau P9 jusqu'à ce que les entailles affleurent les extrémités du TABLIER LATÉRAL par-dessus les charnières. Avec l'aide d'un adulte, retenez fermement cet assemblage et fixez les pièces ensemble et insérez deux VIS (H1) dans les ouvertures pré-perçées situées sur chacun des côtés.

5. Fixez le TABLIER D'EXTRÉMITÉ AVANT (P5) avec les rainures orientées vers l'intérieur insérez deux VIS (H1) dans les ouvertures pré-perçées situées sur chacun des côtés. *Avis : Ne pas serrer les vis complètement jusqu'à ce que vous accomplissez l'étape 6. Cela facilitera l'insertion du panneau P10 dans les rainures du tablier P5.*

6. Insérez le PANNEAU INFÉRIEUR AVANT (P10), avec le côté non fini vers le haut, dans les rainures supérieures du TABLIER LATÉRAL (P6L) et du TABLIER LATÉRAL (P6R). Faites glisser le panneau P10 vers l'avant jusqu'à ce que les extrémités affleurent le TABLIER LATÉRAL par-dessus les charnières, égalisez à l'aide du panneau P9. Serrez les vis P5.

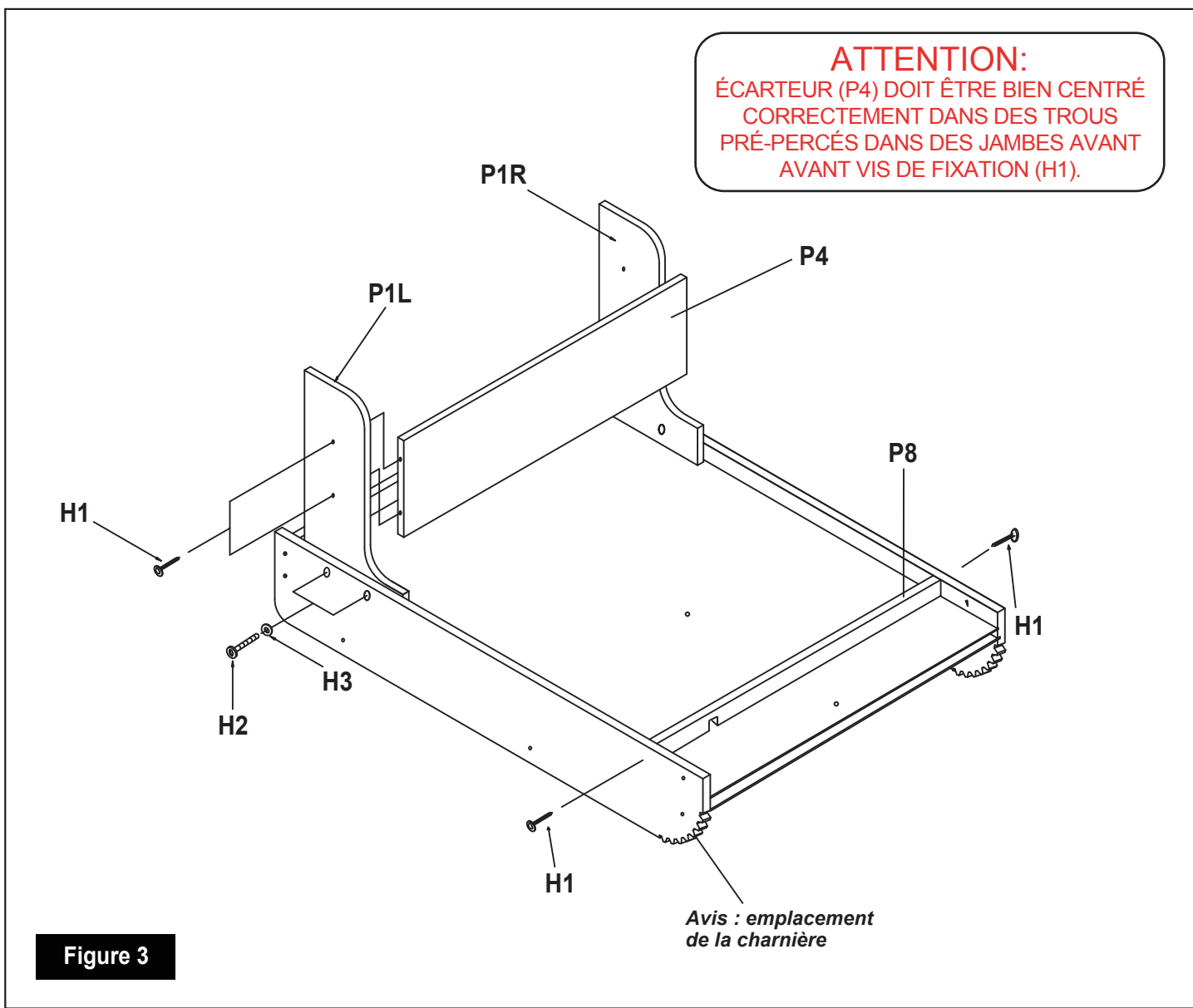


INSTRUCTIONS D'ASSEMBLAGE (suite)

7. Fixez la TRAVERSE (P8), avec les entailles orientées vers le bas à gauche à l'aide de deux VIS (H1) et des ouvertures pré-perforées situées sur chacun des côtés, tel qu'illustré à la Figure 3.

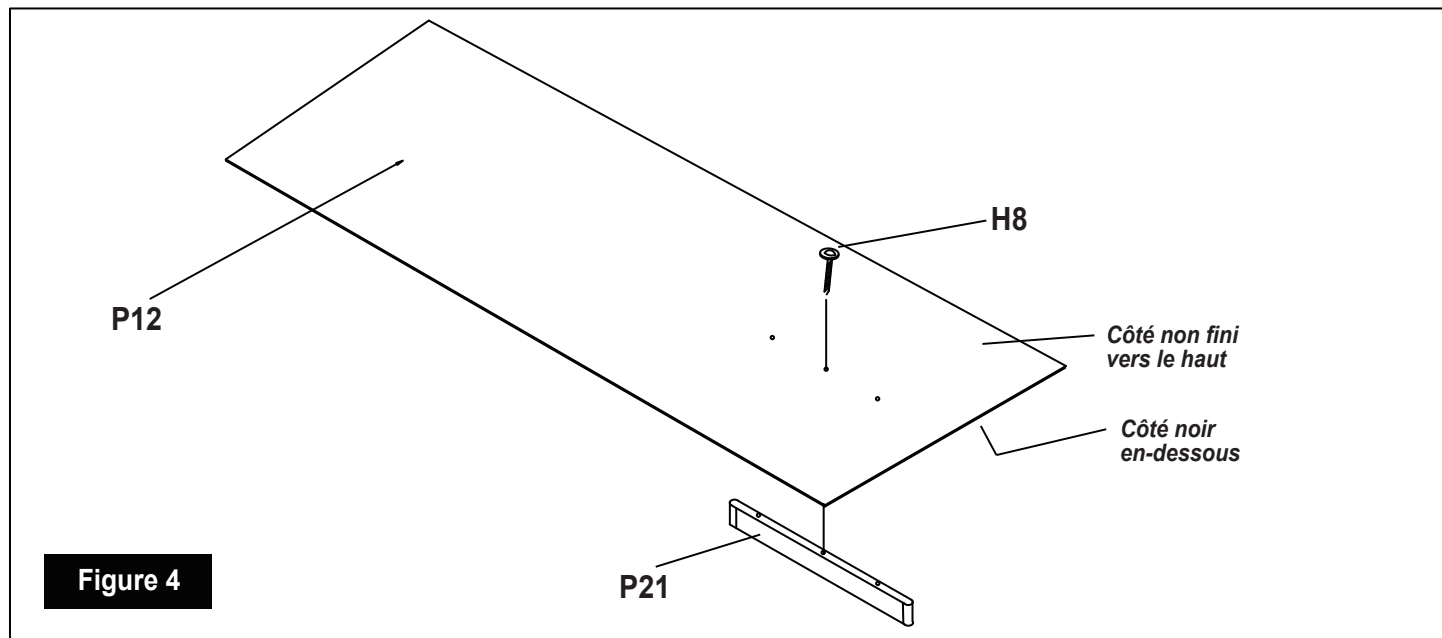
8. Fixez le PIED GAUCHE AVANT (P1L) et le PIED DROIT AVANT (P1R) à l'aide de deux BOULONS (H2) et de RONDELLES (H13) pour chaque pied, tel qu'illustré à la Figure 3. *Avis : pour l'instant, serrez les boulons manuellement et complétez le serrage à l'aide de la CLÉ HEXAGONALE (T1) dès que l'espaceur (P4) est fixé à la prochaine étape.*

9. Fixez l'ÉCARTEUR (P4) à l'aide de quatre VIS (H1), tel qu'illustré à la figure 3. *Avis : insérez manuellement les vis à l'intérieur des quatre ouvertures pré-perforées et alignez le panneau avant de serrer.*

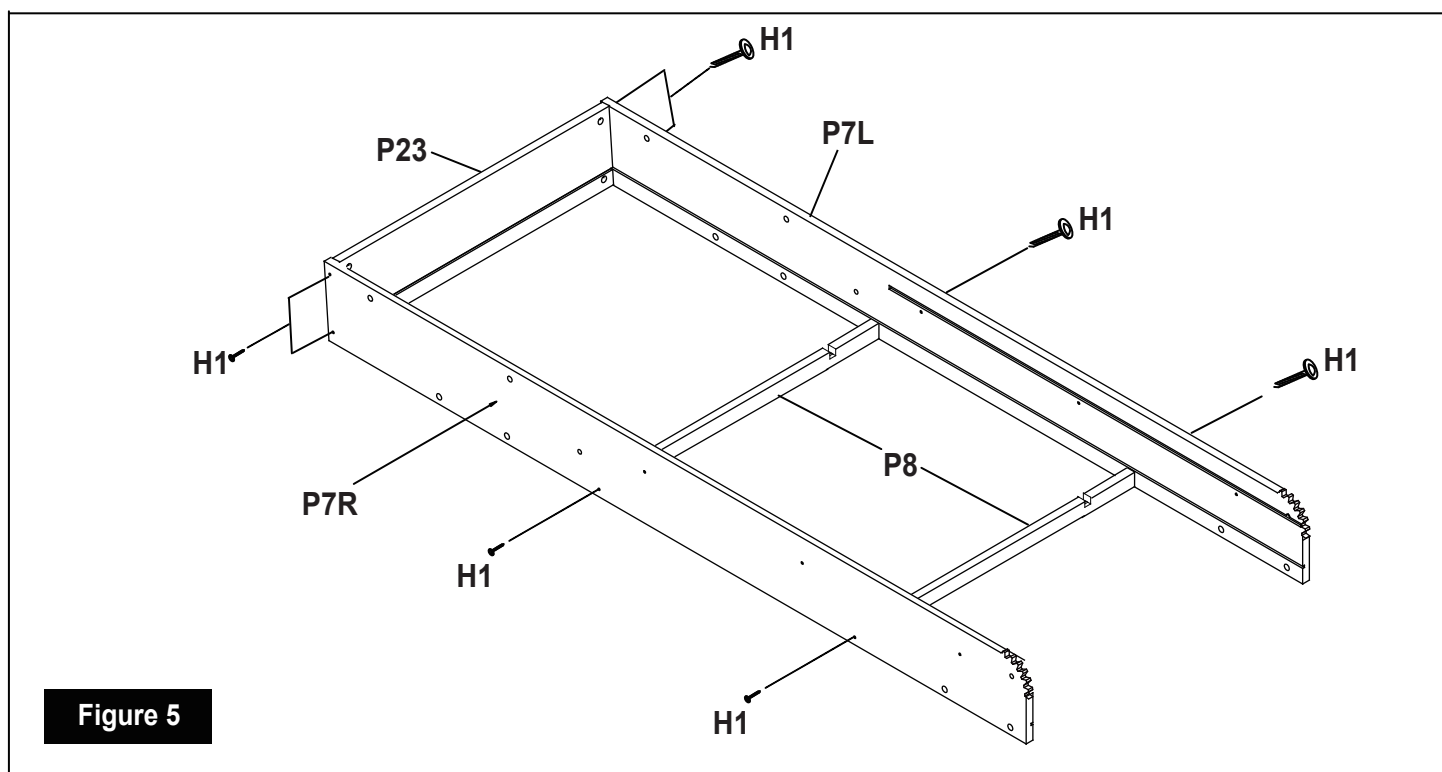


INSTRUCTIONS D'ASSEMBLAGE (suite)

10. Fixez la PANNEAU DE SUPPORT (P21) au PANNEAU INFÉRIEUR AVANT (P10) à l'aide trois VIS (H8) à travers les trois trous comme illustré à la Figure 4. *Avis : le panneau P12 et le PANNEAU DE SUPPORT (P21) sont dotés d'ouvertures pré-perforées pour les vis.*



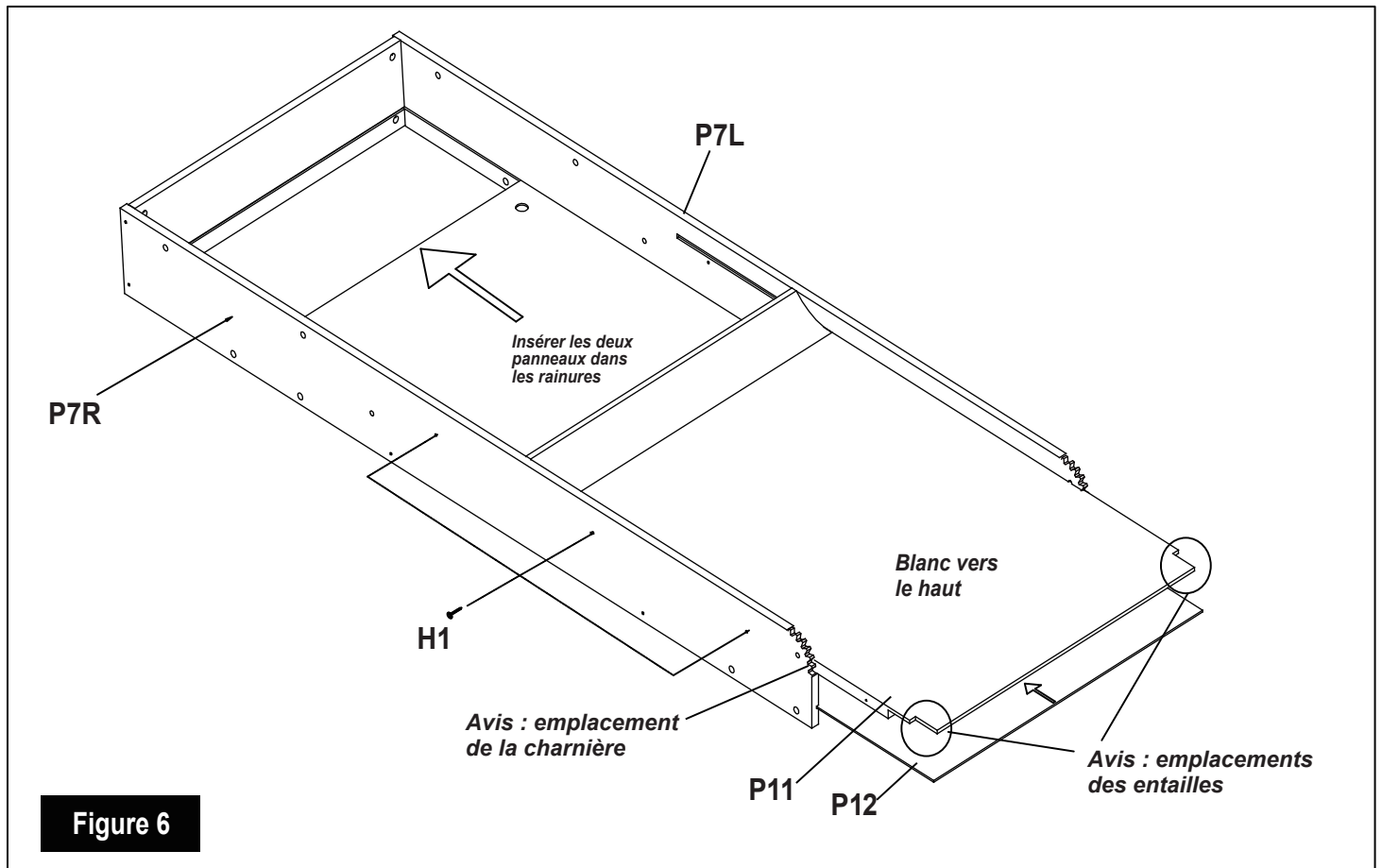
11. Fixez TABLIER ARRIÈRE, P23, et TRAVERSE, P8, aux TABLIER ARRIÈRE GAUCHE, P7L, et TABLIER ARRIÈRE DROIT, P7R, utilisant (4) VIS, H1, comme illustré à la Figure 5.



INSTRUCTIONS D'ASSEMBLAGE (suite)

12. Insérez le PANNEAU INFÉRIEUR ARRIÈRE (P12), avec le côté inachevé jusqu'à, dans les rainures supérieures du TABLIER LATÉRAL GAUCHE (P7L) et du TABLIER LATÉRAL DROIT (P7R). Faites glisser le panneau P12 vers l'avant jusqu'à ce que les extrémités affleurent le TABLIER LATÉRAL termine en dessous de charnières de vitesse, tel qu'illustré à la Figure 6.

13. Insérez le PANNEAU SUPÉRIEUR ARRIÈRE (P11) avec fini blanc vers le haut, dans les rainures supérieures du TABLIER LATÉRAL GAUCHE (P7L) et du TABLIER LATÉRAL DROIT (P7R). Assurez-vous que la fin de P11 avec les découpes est sur la même extrémité de charnière engrenages, tel qu'illustré à la Figure 6. Faites glisser le panneau P11 vers l'avant jusqu'à ce que les extrémités affleurent le TABLIER LATÉRAL termine en dessous de charnières de vitesse. Avec l'aide d'un autre adulte, maintenez cette assemblée et fixer le morceaux ensemble en utilisant (3) vis, H1, et les trous de chaque côté pré-percé.



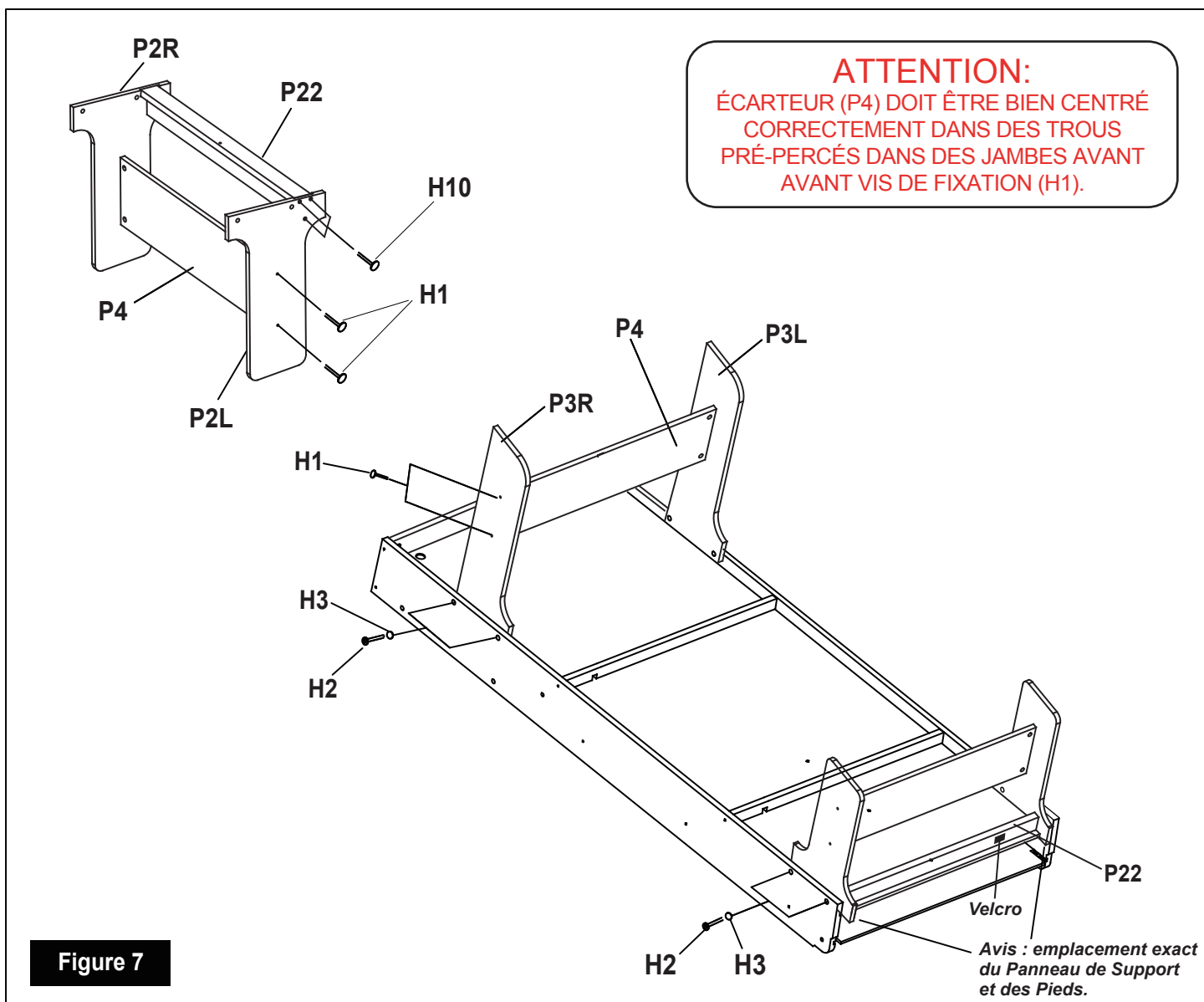
INSTRUCTIONS D'ASSEMBLAGE (suite)

14. Assemblez le PIED GAUCHE CENTRE (P2L) et le PIED DROIT CENTRE (P2R) avec l'ESPACEUR (P4) à l'aide de quatre VIS (H1), tel qu'illustré à la Figure 7. *Avis : fixez manuellement les vis dans les ouvertures pour aligner le panneau avant de serrer.* Fixez le PANNEAU DE SUPPORT EN "L" (P22) de la même manière à l'aide de six VIS (H10) tel qu'illustré.

15. Fixez le Pied du Centre entre les panneaux P7L et P7R assemblés à l'aide de deux BOULONS (H2) et de RONDELLES (H3) situés sur chaque pied, tel qu'illustré à la Figure 7. *Avis : du Velcro sera utilisé en guise de harnais à fils lors d'étapes futures.*

16. Fixez le PIED GAUCHE ARRIÈRE (P3L) et le PIED DROIT ARRIÈRE (P3R) à l'aide de deux BOULONS (H2) et de RONDELLES (H3) sur chacun des pieds, tel qu'illustré à la Figure 7. *Avis : pour l'instant, serrez les boulons manuellement et complétez le serrage à l'aide de la CLÉ HEXAGONALE (T1) dès que l'espaceur (P4) sera fixé à la prochaine étape.*

17. Fixez le PIED GAUCHE ARRIÈRE (P3L) et le PIED DROIT ARRIÈRE (P3R) à l'aide de deux BOULONS (H2) et de RONDELLES (H3) sur chacun des pieds, tel qu'illustré à la Figure 4. *Avis : pour l'instant, serrez les boulons manuellement et complétez le serrage à l'aide de la CLÉ HEXAGONALE (T1) dès que l'espaceur (P4) sera fixé à la prochaine étape.*



INSTRUCTIONS D'ASSEMBLAGE (suite)

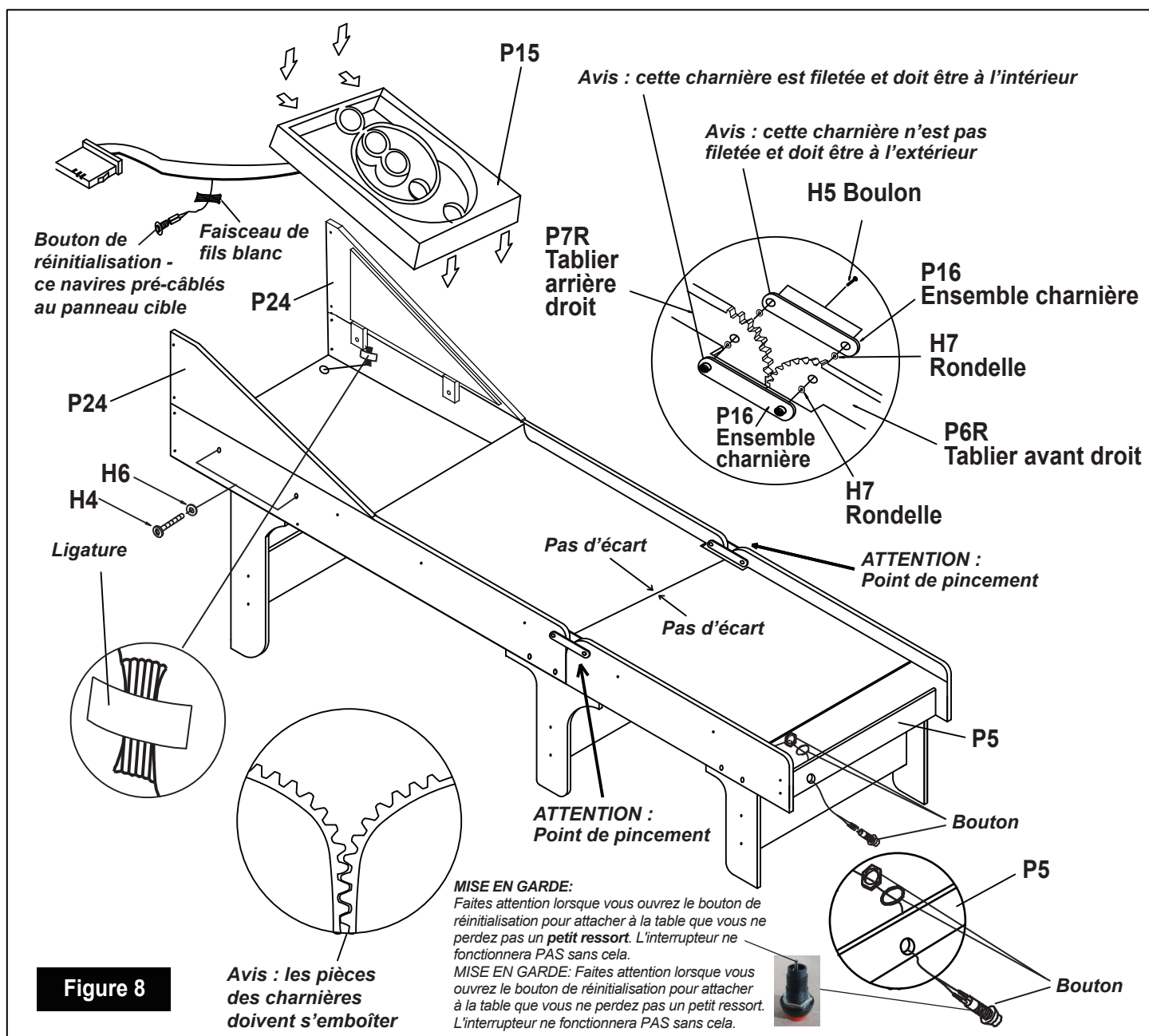
18. Avec l'aide d'un adulte, dressez les deux sections assemblées et positionnez les charnières face à face tel qu'illustré à la Figure 7. À l'aide des ensembles de CHARNIÈRES (P16) fixez les sections assemblées avec un BOULON (H5) et une RONDELLE (H7), tel qu'illustré à la Figure 8. Les boulons doivent être serrés, mais PAS TROP, car il s'agit d'une zone de pivot. *Avis : les charnières doivent s'engrener ensemble par schéma et il ne devrait y avoir aucun espace entre les surfaces de jeu. Aussi côté du terrain de jeu.*

19. Fixez INSÉRER TRIANGULAIRE (P24) sur chaque tabliers côté utilisant 2 BOULONS (H4), et 2 RONDELLES (H6), sur chaque insérer, tel qu'illustré à la Figure 8.

20. Installez le PANNEAU DE CIBLE (P15), avec le cercle rouge au-dessus, en position avec les côtés dans les rainures des broches des panneaux latéraux et contre le devant de la lance de lancement.

21. Fixez le BOUTON RÉINITIALISATION, avec le long fil blanc à travers l'ouverture devant le TABLIER (P5) en retirant la rondelle et l'écrou derrière le bouton, y entrer le bouton et le fil par l'ouverture du devant et serrez l'écrou et la rondelle.

Avis : Ne pas endommager les fils branchés en attachant l bouton.



INSTRUCTIONS D'ASSEMBLAGE (suite)

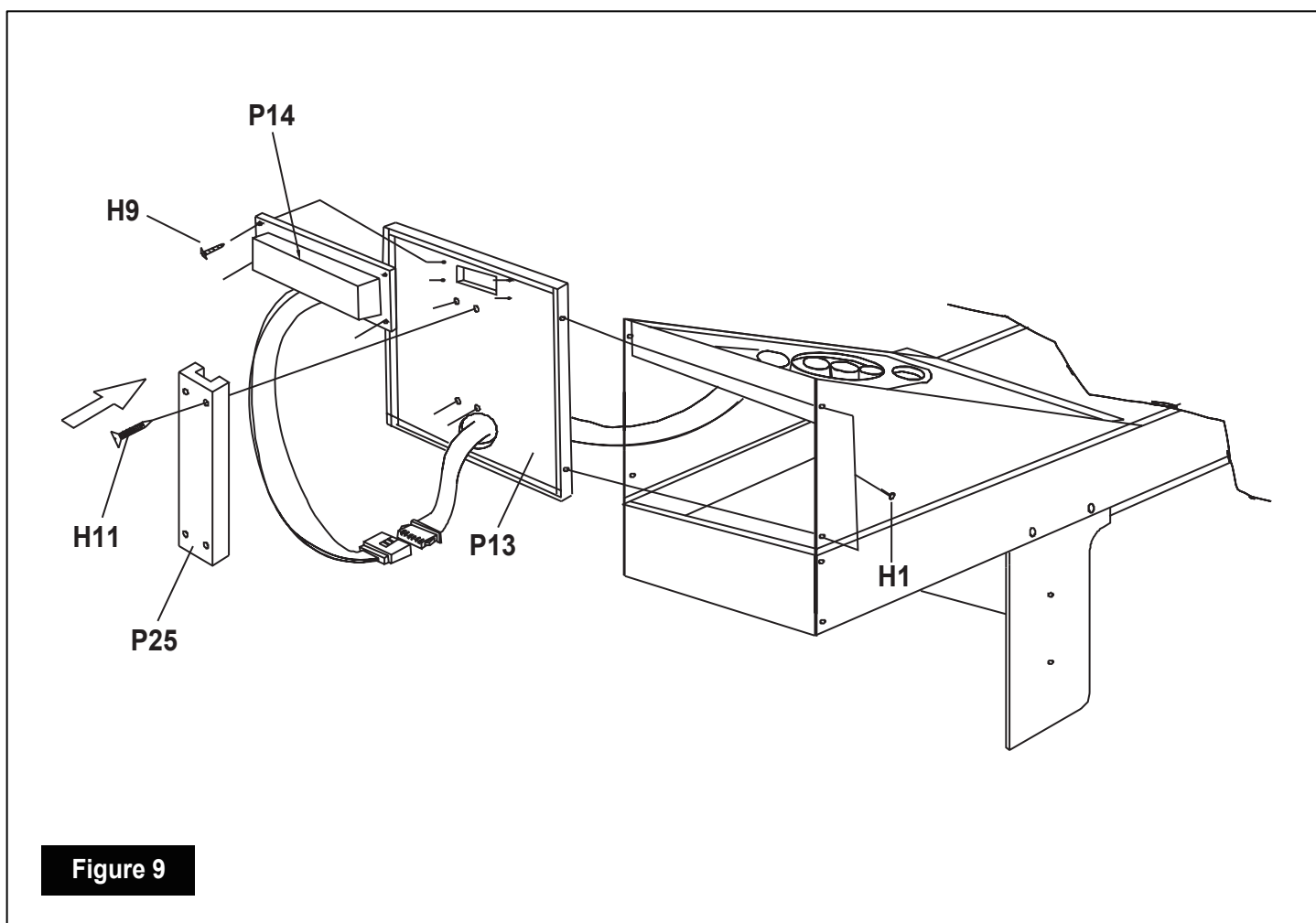
22. Faire passer le fil blanc à travers les découpes des TRAVERSESES (P8), et le Velcro sur le PANNEAU DE SOUTIEN EN L (P22) vers l'arrière et vers le haut à travers le trou du PANNEAU INFÉRIEUR ARRIÈRE (P12). Ainsi, le fil blanc sera relié au faisceau de câbles.

23. Passer le faisceau de câbles du panneau cible dans le trou rond du PANNEAU (P13) et fixez le panneau entre les INSÉRER TRIANGULAIRE (P24) à l'aide de 4 VIS (H1), tel qu'illustré à la Figure 9. *Remarque : placez manuellement les vis dans les quatre trous pré-perçés pour aligner le panneau avant de serrer.*

24. Fixez le MARQUEUR ÉLECTRONIQUE (P14) au panneau à l'aide de 4 VIS (H9), tel qu'illustré. Branchez le faisceau de câbles du marqueur électronique au faisceau de câbles du panneau cible.

25. Fixer panneau de couverture, P25, plus de le faisceau de câblage à de panneau arrière utilisant (4) vis (H11).

26. Branchez l'adaptateur secteur (ne pas utiliser des piles avec adaptateur), ou installer quatre (4) piles AA (non incluses), dans le dos de la marqueur électronique, P14. Retirez la pellicule de plastique sur le devant du marqueur électronique.

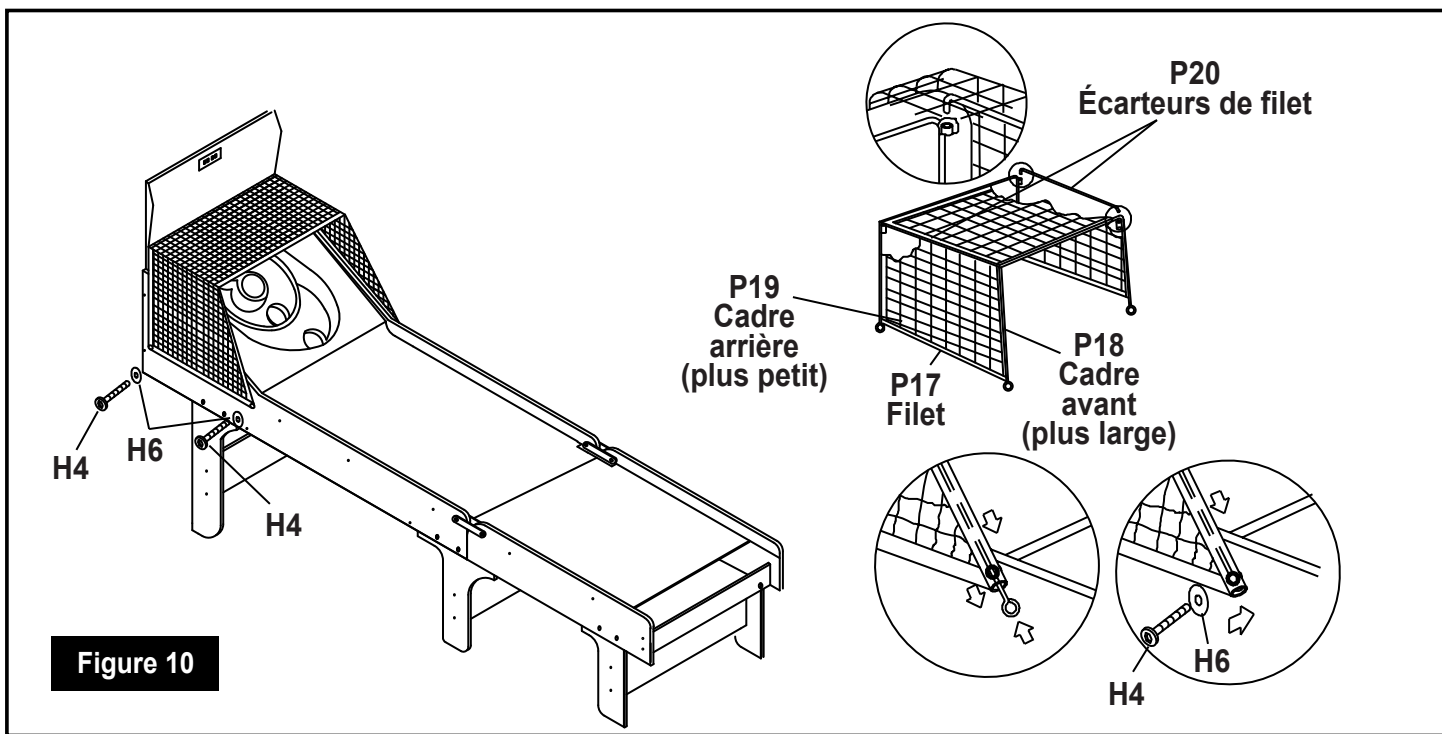


INSTRUCTIONS D'ASSEMBLAGE (suite)

27. Attachez sans serrer le CADRE du FILET AVANT (P18) et le CADRE du FILET ARRIÈRE (P19) aux TABLIERS LATÉRAUX et INSÉRER TRIANGULAIRE à l'aide de 4 BOULONS (H4) et de RONDELLES (H6) à l'intérieur des trous situés au bas des cadres.

28. Fixez les 2 ÉCARTEURS (P20) entre les cadres avant et arrière sur chaque côté en insérant le bout courbé dans la prise des cadres tel qu'illustré à la Figure 10.

29. Drapez le FILET (P17) par-dessus le cadre au côté le plus long et les rivets de coin en cours d'exécution côte à côte. Le net sera angle vers le bas vers l'avant. Maintenant enlever les boulons faiblement attachés à l'étape 27 l'un à l'un boulon temps et réinsérer grâce à des rivets de coin et retour dans la cale d'yeux du cadre jusqu'à ce que tous les quatre sont fixés solidement utilisez velcro pour fixer net au cadre.



LA DERNIÈRE ÉTAPE D'ASSEMBLAGE ET LA FAÇON DE JOUER

1. L'utilisation de deux adultes, régler l'appareil dans un endroit approprié dans votre salle de jeux.
2. Branchez l'adaptateur secteur (ne pas utiliser des piles avec adaptateur), ou installez quatre (4) piles AA (non incluses), dans le dos de la marqueur électronique, P14
3. Activez le commutateur (position ON)
4. Quand l'afficheur indique seulement des zéros, appuyez sur la touche RESET située à l'avant de la table de jeu. Vous êtes maintenant prêt à jouer.
5. Chaque joueur doit faire rouler 6 balles par partie pour atteindre le plus haut score. Lorsque la balle ne marque pas de point, la faire rouler de nouveau. Le joueur ayant le plus grand nombre de points remporte la partie.
6. Quand les deux joueurs ont joué 6 balles, appuyer la touche RESET pour jouer une nouvelle partie.
7. Mettez l'appareil hors tension lorsque vous ne l'utilisez.

DANGER : NE PAS LANCER la balle sur la cible, cela pourrait endommager la table de jeu. La meilleure façon de procéder est de faire ROULER la balle le long de la rampe.

GARANTIE LIMITÉE DE 180 JOURS

La garantie du produit est valide pour l'acheteur original en ce qui a trait aux pièces défectueuses ou à la main-d'œuvre pour une période de 180 jours de la date d'achat.

Cette garantie n'est couverte pas les dommages causés par accident, par modification, par une installation défectueuse ou tout autre événement hors du contrôle du fabricant. Tout défaut ou dommage résultant de la négligence ou d'une mauvaise utilisation annule cette garantie. La présente garantie ne couvre pas les égratignures ou les dommages attribuables à un usage normal.

Ce produit n'est pas destiné à un usage institutionnel ou commercial; le fabricant décline toute responsabilité pour une telle utilisation. Un usage institutionnel ou commercial annule cette garantie.

Cette garantie est non transférable et est expressément limitée à la réparation ou au remplacement du produit défectueux. Au cours de la période de garantie, le fabricant s'engage à remplacer et à réparer les pièces défectueuses sans frais pour l'acheteur. Les frais d'assurance et d'expédition ne sont pas couverts et sont à la charge de l'acheteur. Les frais de main-d'œuvre et les dépenses liées au déplacement, à l'installation ou au remplacement du produit ou de ses composantes ne sont pas couverts par cette garantie.

Le fabricant se réserve le droit de faire des substitutions de recours en garantie si la pièce n'est pas disponible ou obsolète.

Le fabricant décline toute responsabilité liée à la perte d'utilisation ainsi que tous les autres coûts directs ou indirects, frais ou dommages encourus par le consommateur qui aurait été causés par une autre utilisation. L'utilisateur assume tous les risques de dommage résultant de l'utilisation de ce produit.

Cette garantie tient lieu expressément de toute autre garantie, exprimée ou implicite, y compris les garanties de qualité marchande ou d'adaptation à un emploi particulier dans la mesure permise par les lois fédérales ou provinciales. Ni le fabricant, ni aucun de ses représentants n'assument aucune autre responsabilité en rapport avec ce produit.

Toute réclamation doit être faite par le détaillant où le produit a été acheté. Une facture ou autre preuve d'achat est nécessaire pour traiter toutes les réclamations de garantie. Le numéro de modèle et les numéros de référence figurant dans les instructions d'assemblage seront exigés lors de la soumission de demande de pièces ou de recours en garantie.

Pour plus d'information ou pour toute question, veuillez téléphoner au 1 800 759-0977.