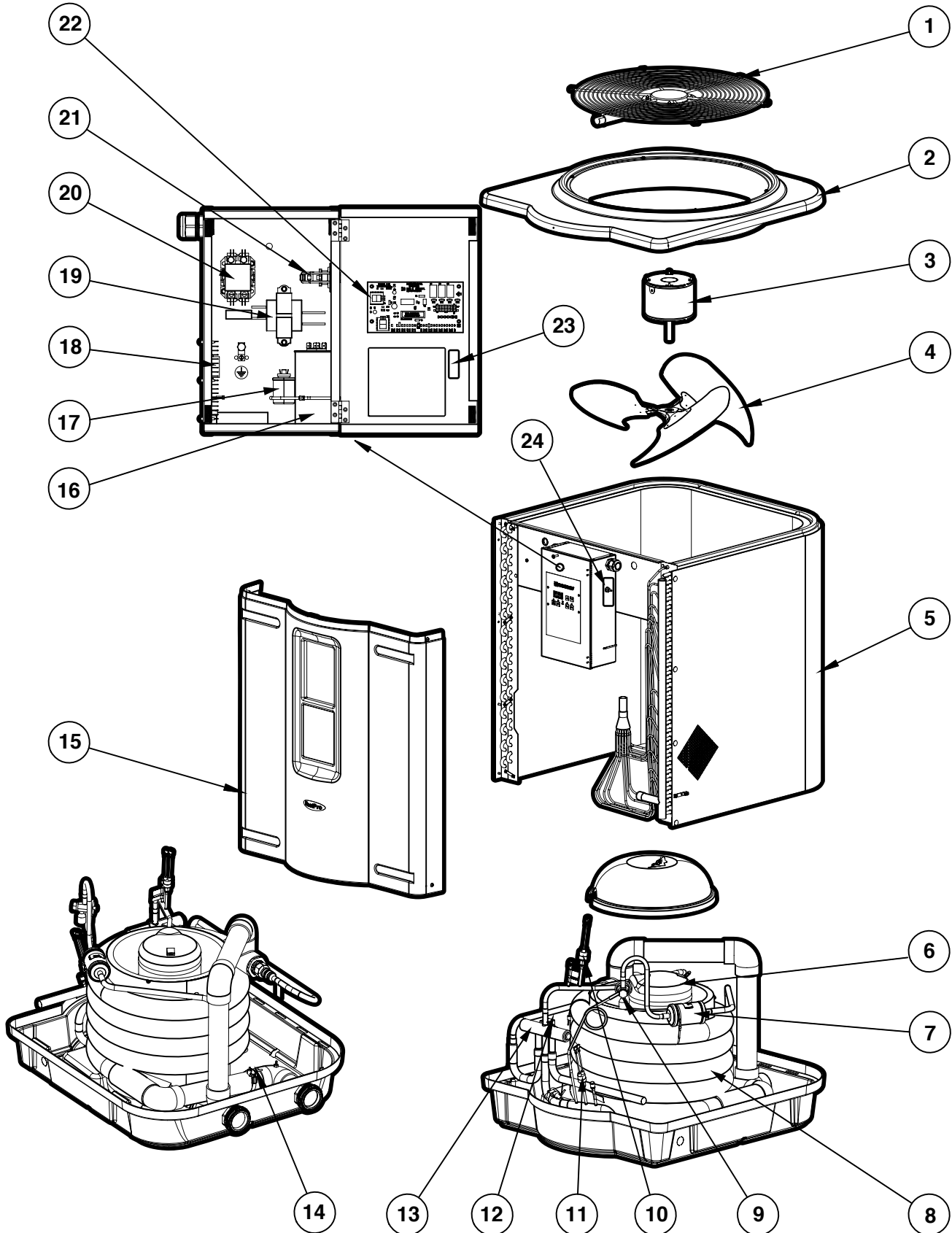


Parts Diagram: HP21404T, HP21404TC, HP21004T, HP21254T, HP31154T, HP31204T, HP21124T



Heating

Parts Listing: HP21404T, HP21404TC, HP21004T, HP21254T, HP31154T, HP31204T, HP21124T

Ref. No.	Part No.	Description
1	SMX305000004	Fan Guard
2	SMX309077011	Top Panel
3	SMX300055036	Fan Motor
4	SMX303140003	Fan Blade
5	SMX305099004	Evaporator for HP21404T, HP21404TC
	SMX24024408	Evaporator for HP31154T, HP21254T, HP21124T and HP31204T
	SMX24024414	Evaporator for HP21004T
	SMX24013468	Evaporator for HP21124T after serial number 21131708100361001
6	SMX11017204	Compressor for HP21004T prior to serial number 21131501105230001
	SMX301150010	Compressor for HP21124T prior to serial number 21131501102140001
	SMX11024201	Compressor for HP21254T prior to serial number 21131405101250001
	SMX11024201	Compressor for HP21404T prior to serial number 21131404105240001
	SMX301150010	Compressor for HP31154T
	SMX11012754	Compressor for HP31204T
	SMX11012751	Compressor for HP21004T after serial number 21131501105230001
	SMX11012753	Compressor for HP21124T after serial number 21131501102140001
	SMX11012755	Compressor for HP21254T after serial number 21131405101250001
	SMX11012755	Compressor for HP21404T after serial number 21131404105240001
	SMX10024715	Compressor Plug (not shown) for HP21004T prior to serial number 21131501105230001
	SMX10024715	Compressor Plug (not shown) for HP21124T prior to serial number 21131501102140001
	SMX10024715	Compressor Plug (not shown) for HP21254T prior to serial number 21131405101250001
	SMX10024715	Compressor Plug (not shown) for HP21404T prior to serial number 21131404 105240001
	SMX10024715	Compressor Plug (not shown) for HP31154T
	SMX10024899	Compressor Wire Harness (not shown) for HP31204T
	SMX10022329	Compressor Plug (not shown) for HP21004T after serial number 21131501105230001
	SMX10022329	Compressor Plug (not shown) for HP21124T after serial number 21131501102140001
	SMX10022329	Compressor Plug (not shown) for HP21254T after serial number 21131405101250001
	SMX10022329	Compressor Plug (not shown) for HP21404T after serial number 21131404105240001
7	HPX1462	Filter – Drier for all except HP31204T and HP31154T
	SMX15022309	Filter – Drier for HP31204T and HP31154T
8	SMX24024864	Heat-Exchanger for HP21404T
	SMX24024942	Heat-Exchanger for HP31154T
	SMX24022306	Heat Exchanger for HP31204T
	SMX24022371	Heat Exchanger for HP21254T
	SMX24022372	Heat Exchanger for HP21004T
	SMX24024509	Heat Exchanger for HP21124T
9	SMX15024595	Thermal Expansion Valve (TXV) for HP21004T prior to serial number 21131501105230001
	SMX15024595	Thermal Expansion Valve (TXV) for HP21124T prior to serial number 21131501102140001
	SMX15024907	Thermal Expansion Valve (TXV) for HP21254T prior to serial number 21131405101250001
	SMX15024907	Thermal Expansion Valve (TXV) for HP21404T prior to serial number 21131404105240001
	SMX15024595	Thermal Expansion Valve (TXV) for HP31154T
	SMX15024595	Thermal Expansion Valve (TXV) for HP31204T
	SMX15012865	Thermal Expansion Valve (TXV) for HP21004T after serial number 21131501105230001
	SMX15022368	Thermal Expansion Valve (TXV) for HP21124T after serial number 21131501102140001
	SMX15024595	Thermal Expansion Valve (TXV) for HP21254T after serial number 21131405101250001
	SMX15024916	Thermal Expansion Valve (TXV) for HP21404T after serial number 21131404105240001
10	HPX11024258	High Pressure Switch
11	HPX11024259	Low Pressure Switch
12	SMX306000023	Defrost Sensor
13	SMX15024966	Solenoid Coil for HP31154T
14	SMX306000024	Water Temperature Sensor for HP21404T, HP21004T, HP21254T and HP21124T
	SMX11024957	Water Temperature Sensor for HP31154T and HP31204T
15	SMX309099016	Front Panel for HP21404T, HP21404TC, HP21124T (2018)
	SMX309099013	Front Panel for HP31154T and HP31204T
	SMX309099023	Front Panel for HP21004T, HP21254T and HP21124T
16	SMX11022320	Compressor Run Capacitor
17	HPX11024151	Fan Capacitor
18	HPX11023509	Interface Board for HP31154T and HP31204T
19	HPX11023693	Transformer
20	HPX1985	Contactactor
21	HPX2181	Water Pressure Switch
22	SMX306000016	Control Board for HP21404T, HP21004T, HP21124T and HP21254T
	SMX11023511	Control Board for HP31154T and HP31204T
23	SMX1101191101	Master On/Off Switch
24	HAXTBK1931	Terminal Block
NOT PICTURED		
	HPX10023517	Control Board Cable for HP31154T and HP31204T
	SMX14024927	Consumer Kit
	SMX300055113	Cover-Winter
	SMX150 22324	Charge Compensator for HP31204T
	SMX15024941	Reversing Valve for HP31154T
—	SMX15022313	Reversing Valve for HP31204T