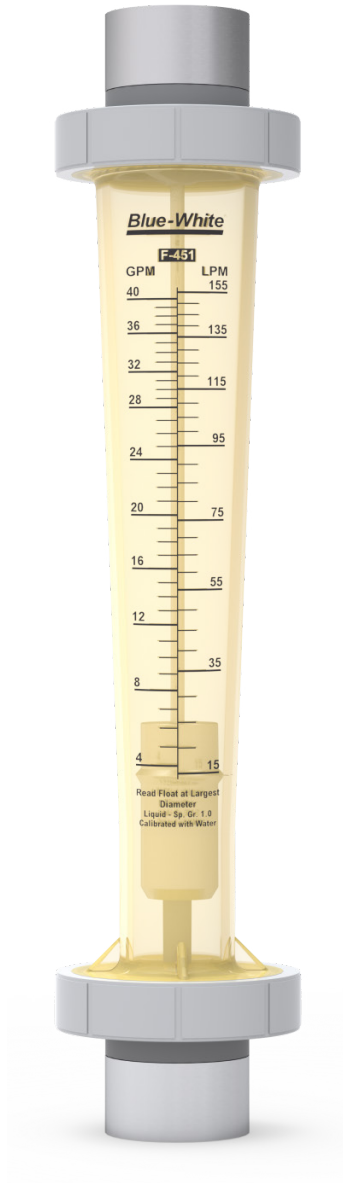


F-451 Flow Meter



READ THE ENTIRE OPERATING MANUAL PRIOR TO INSTALLATION AND USE.



+1 (714) 893 - 8529



sales@blue-white.com



customerservice@blue-white.com






5300 Business Drive
Huntington Beach, CA 92649

Table of Contents

1.0 Introduction	5
1.1 What's in the box	5
1.2 System Features	5
1.3 Application Notes	5
1.4 Ordering Information / Model Number Matrix	6
2.0 Engineering Specifications	6
2.1 Flow Meter Specifications	6
2.2 Materials of Construction	7
2.3 Temperature vs. Pressure Graph	7
2.4 Flow Specifications	7
2.5 Dimensions	8
3.0 Installation	8
3.1 Installation Requirements	8
3.2 Tools Required	8
3.3 Installation Instructions	9
3.4 Polycarbonate Shield Installation Instructions	10
4.0 Reading your F-451 Flow Meter	12
5.0 Maintenance and Troubleshooting	12
6.0 Spare Parts	13
7.0 Warranty	15

SAFETY INFORMATION

Please read this manual completely before unpacking, installing, and operating this equipment. In particular, pay attention to all dangers, warnings, and precautions, otherwise, it may cause serious injury to the operator or damage to the equipment.

Symbol	Description
	Warning (Risk of electric shock)
	Caution (Refer to the user's guide)
	Ground, Protective Conductor Terminal

Note: When in doubt regarding your electrical installation, contact a licensed electrician.

1.0 Introduction

Congratulations on purchasing the F-451 Flow Meter!

Your Flow Meter is calibrated and ready for use. The unit is designed to give many years of service. For more information or questions on this product or any of our Industrial products, please visit us at www.blue-white.com

1.1 What's in the box

- Flow meter (1)
(Flow meter may contain plastic tubing for protection during shipping. Remove before installation.)
- Quick Start Guide

Check all packaging for completeness and inspect for damage before installation.

1.2 System Features

- Dual Scale (GPM / LPM), screen printed for easy reading
- Tested and calibrated for clean water applications
- Durable Polysulfone body
- In-line or Panel Mount options
- Optional Polycarbonate Shield available
- Unionized threaded adapters for simple installation and service
- Not for use in direct sunlight
- Upward flow, vertical installation only

1.3 Application Notes

Although meters may be suitable for other chemicals, Blue-White cannot guarantee their suitability. It is the responsibility of the user to determine the suitability of the flow meter in their application. **Flow meters are tested and calibrated for water only.**

1.4 Ordering Information / Model Number Matrix

F	Flow Meter							
Series								
451	F-451 Polysulfone body							
Scale								
006	0.5 - 6 gpm (2 - 22 lpm) Teflon Float							
001	1 - 10 gpm (4 - 40 lpm) 316ss Float							
002	2 - 20 gpm (6 - 76 lpm) 316ss Float							
003	3 - 30 gpm (12 - 115 lpm) 316ss Float							
004	4 - 40 gpm (15 - 155 lpm) 316ss Float							
Guide-Wire Material								
LHN	316 Stainless steel rod							
Special								
(Blank)	Standard meter							
Adapter								
(Blank)	1.0" Female NPT, Polysulfone							
-24	1.5" Female NPT, PVC							
E	90° Elbow 1.0" Male NPT , Polysulfone							
O-Ring								
(Blank)	FKM							
-22R	EP							
F	-	451	006	LHN	(Blank)	(Blank)	(Blank)	Sample Model Number

2.0 Engineering Specifications

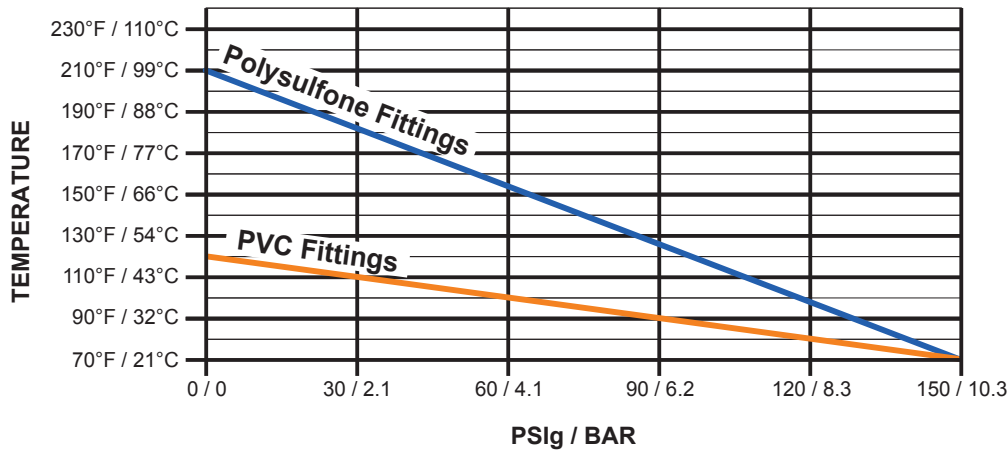
2.1 Flow Meter Specifications

Maximum Working Pressure	150 PSI (10.3 bar) @ 70 °F (21 °C)
Maximum Fluid Temperature	Standard units - 1" pipe: 212 °F (100 °C) @ 0 PSI Standard units - 1-1/2" pipe: 120 °F (49 °C) @ 0 PSI
Full Scale Accuracy	+/- 3%
Calibration Fluid	Water, specific gravity 1.0
Scale Length	6" (150mm)
Environment	Not for direct sunlight exposure
Maximum Pressure Drop	1 PSI
Approximate Shipping Weight	3 lb. (1.36 kg)

2.2 Materials of Construction

Wetted Components:	
Meter Body	Polysulfone
Adapters	1" pipe: Polysulfone, F/NPT or elbow M/NPT
	1.5" pipe: PVC, F/NPT
Guide Rod Holder	Polysulfone
O-ring Seals	FKM (optional EP)
Float	316SS or PTFE (varies per model)
Guide Rod	316SS
Optional Shield	Polycarbonate

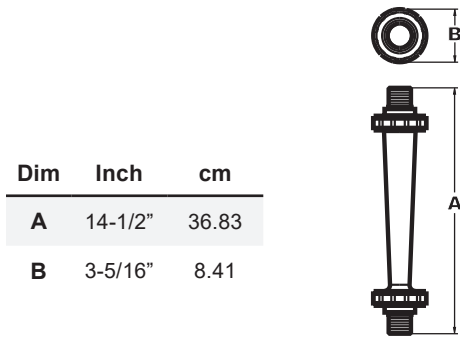
2.3 Temperature vs. Pressure Graph



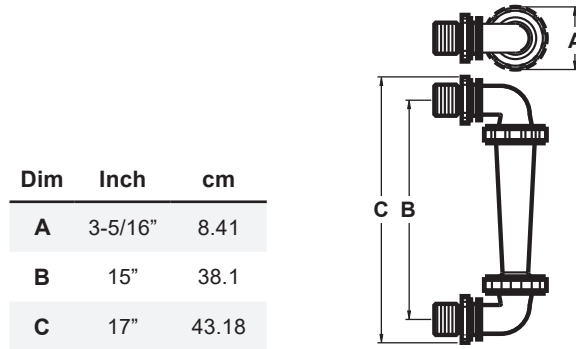
2.4 Flow Specifications

Model	Feed Rate		Max Pressure	Max Temperature	Float Material
	GPM	LPM	PSI (bar)	°F (°C)	
F-451006L	0.5–6	2–22	150 (10.3)	70 (21)	Teflon
F-451001L	1.0–10	4–40	150 (10.3)	70 (21)	316SS
F-451002L	2.0–20	6–76	150 (10.3)	70 (21)	316SS
F-451003L	3.0–30	23–115	150 (10.3)	70 (21)	316SS
F-451004L	4.0–40	15–155	150 (10.3)	70 (21)	316SS

2.5 Dimensions



Vertical In-line Models



Panel Mount Elbow Models

3.0 Installation

3.1 Installation Requirements

Before beginning installation, review your system flow and pressure to ensure your F-451 is proper for your system parameters.

Pipe Requirements:

- The flow meter is designed to work best when installed in a perfectly vertical pipe system.
- Ensure piping design prevents any stress on the meter fittings, minimizes vibration, and ensures location with direct visibility and minimal possibility of damage from forcible contact.
- Pipe should be clean and free of debris.
- Connecting pipe should be uniform and not warped.
- Pipe must be properly supported even during maximum water flow conditions.
- Do not install in direct sunlight.
- Use of unionized fittings before and after the flow meter will allow for easier installation and removal for maintenance.
- On/Off solenoid valves and pumps installed before the flow meter should be accompanied by flow regulating/throttling valves, or similar device, to prevent sudden and forcible flows through the flow meter which can cause damage to flow meter components.
- Choose location where pipe will be full at all times.

3.2 Tools Required

- PTFE Tape
- Level

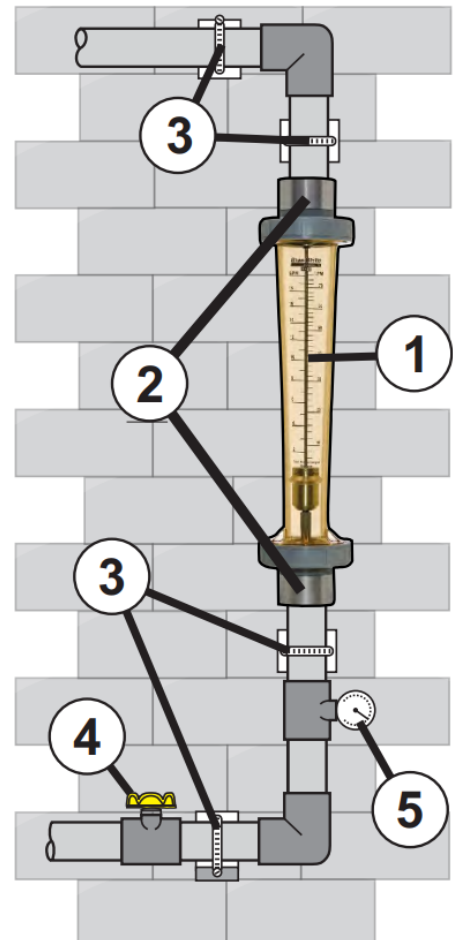
Note: Keep flow meter away from pipe glue fumes. Ensure all pipe glue is dry before installation flow meter. Pipe glue solvents will damage meter.



Always wear protective clothing, face shield, safety glasses and gloves when working on your equipment. Use caution when lifting and mounting equipment. When in doubt, contact factory for assistance.

3.3 Installation Instructions

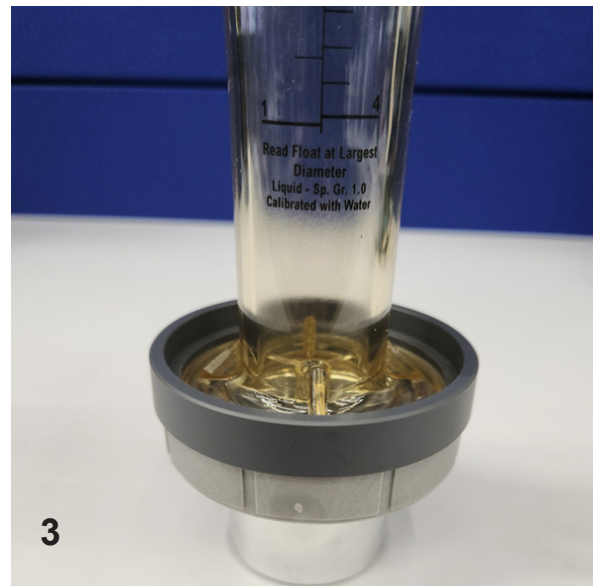
1. **The flow meter must be installed in a vertical plane to ensure accuracy.** Misalignment may damage the flow meter and also may cause the o-ring seals to leak. The meterbody material can be damaged by UV rays. **Do not install in direct sunlight.**
2. **Use only PTFE tape on the threaded adapters.** Pipe dope and glue will damage the meter body and fittings. Or install the flow meter after all glued fittings have dried and fumes have been purged from the system. Never hold the meter body with pliers or like tools. Union nuts should be hand tightened only. **DO NOT OVER-TIGHTEN!**
3. **Mounts and supports must be sturdy enough to support the plumbing and prevent vibration.** Vibration and heavy loads will damage the meter.
4. **Avoid imposing a sudden burst of flow to the meter. Solenoid valves will damage the meter.** Such a burst will cause the float to impact the top float stop with destructive force.
5. **The Maximum fluid temperature is dependent on the working pressure.** High pressure and temperature will damage the meter. (see temperature VS pressure chart)



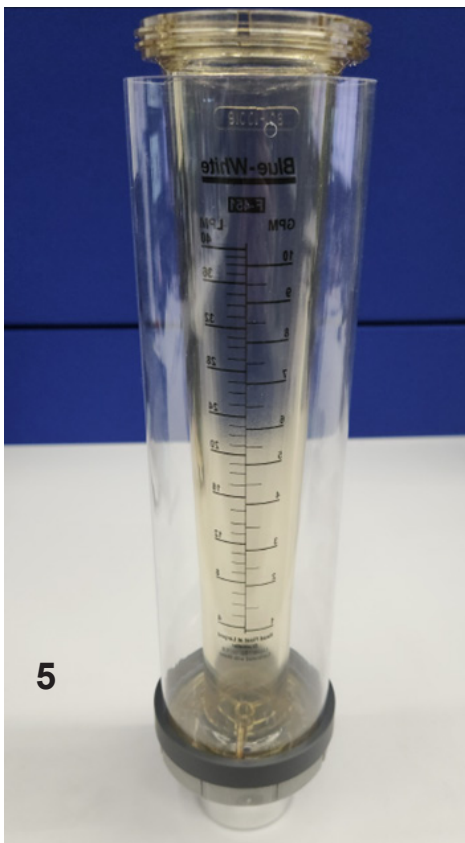
3.4 Polycarbonate Shield Installation Instructions

Use these instructions if you have purchased the optional Polycarbonate Shield Kit, KIT-SHS.

- 1. Unpack the KIT-SHS.** The kit includes shield and two adapter rings. Ensure all components are present and in good shape. The flow meter must be dis-assembled to install the shield.
- 2. Unscrew top union nut and remove.** Place meter on flat surface.
- 3. Snap shield adapter rings onto union nuts.** One adapter ring will need to slide over the meter body and onto bottom union nut.
4. Keep top meter adapter, O-ring, wire holder, guide rod in place if using in-line flow meter. If using elbow adapters, it will be necessary to remove top adapter when placing shield.

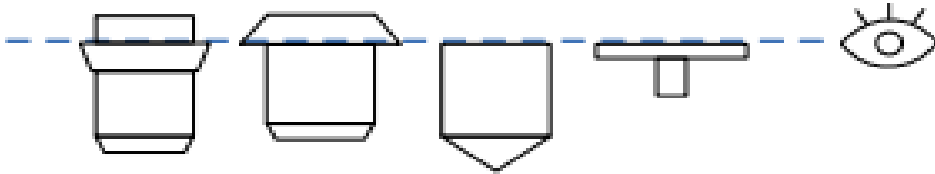


5. Place shield over the meter body and onto the adapter ring.
6. With the top adapter in place, **put other union nut / adapter ring onto top of meter body and shield.** (Be sure shield fits into adapter rings properly without bending)
7. **Hand tighten union nuts.** The flow meter is ready for service.



4.0 Reading your F-451 Flow Meter

Avoid imposing a sudden burst of flow to the meter. Solenoid valves may cause the float to impact the top float stop with destructive force. Always read float at its widest point, or at the top if width is uniform. Refer to instruction on flow meter for clarification.



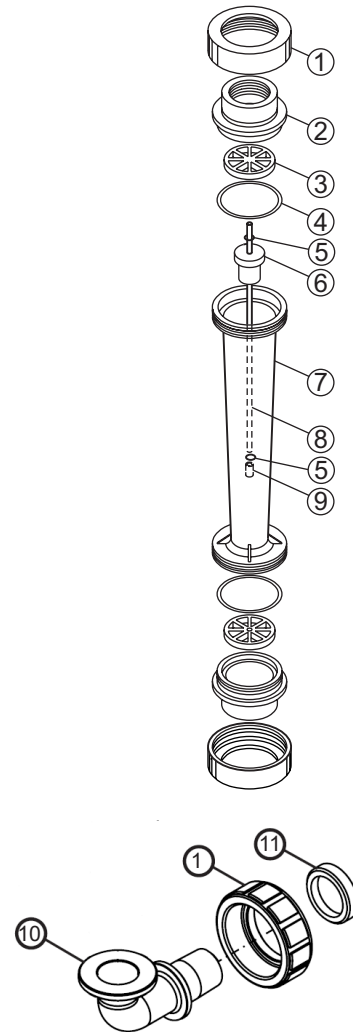
Different types of float

5.0 Maintenance and Troubleshooting

- The F-451 Flow Meter requires very little maintenance. However, the flow meter may become clogged due to excess debris in the water. If this happens, simply shut off the process pump or valve and remove any pressure from the piping. If isolation valves are installed, shut these to minimize the amount of water that may leak. Locate nearest unions on piping to allow for removal of flow meter. The F-451 Flow Meter may also be removed by unscrewing the flow meter union nuts. Remove the flow meter and clean any debris in the flow meter. Use mild soap and a soft bristle brush.
- Reinstall the flow meter and test. **If the float was removed during the cleaning process, ensure the float was reinstalled properly.** The float is wider at the top.
- If flow meter requires NIST Calibration Certification, please contact the factory for this service.

6.0 Spare Parts

Item	Model No.	Product Name	Qty. Req.
1	F-45038N	Union Nut	2
2	F-45030N	Adapter, vertical, 1" F/NPT (PSF)	2
	F-45036	Adapter, vertical, 1-1/2" M/NPT (PVC)	2
3	F-45025	Wireholder 1-10, 2-20 (PSF)	2
	F-45025-2	LG Wireholder 3-30, 4-40 (PSF)	2
4	2-135V	O-Ring 2-135 (FKM)	2
	2-135EB	O-Ring 2-135 (EP)	2
5	2-006A	Float Stop .5-6, 1-10, 2-20 (Aflas)	2
	2-006E	Float Stop .5-6, 1-10, 2-20 (EP)	2
	2-008V	Large Float Stop, 3-30, 4-40 (Aflas)	2
	2-008E	Large Float Stop, 3-30, 4-40 (EP)	2
6	-	Float (SS) (contact factory)	1
7	-	Meterbody (PSF) (contact factory)	1
8	F-45028	Guide Wire, .5-6, 1-10, 2-20, (SS)	1
	F-45028-2	Guide Wire, 3-30, 4-40 (SS)	1
9	F-45046	Wireholder Bottom (PSF)	1
10	F-45031	1" Male NPT 90° Elbow, Polysulfone	2
11	F-45032	Panel Mount Lock Nut, PVC	2



Panel Mount Elbow Option

F-451

Notes:

7.0 Warranty

7.1 LIMITED WARRANTY

Your new Flow Meter is a quality product and is warranted for 12 months from date of purchase (proof of purchase is required). The unit will be repaired or replaced at our discretion. Failure must have occurred due to defect in material or workmanship and not as a result of operation of the product other than in normal operation as defined in the manual. Warranty status is determined by the serial label and the sales invoice or receipt. The serial label must be on the unit and legible. The warranty status of the unit will be verified by Blue-White or a factory authorized service center.

7.2 WHAT IS NOT COVERED

- Wear items.
- Unit removal, or re-installation, and any related labor charge.
- Freight to the factory, or service center.
- Units that have been tampered with, or in pieces.
- Damage to the unit that results from misuse, carelessness such as chemical spills on the enclosure, abuse, lack of maintenance, or alteration which is out of our control.
- Units damaged by faulty wiring, power surges or acts of nature.

7.3 PROCEDURE FOR IN WARRANTY REPAIR

Contact the factory to obtain a RMA (Return Material Authorization) number. Carefully pack the unit to be repaired. Please enclose a brief description of the problem as well as the original invoice or sales receipt, or copy showing the date of purchase. Prepay all shipping costs. COD shipments will not be accepted. Warranty service must be performed by the factory or an authorized service center. Damage caused by improper packaging is the responsibility of the sender. When In-Warranty repair or replacement is completed, the factory pays for return shipping to the dealer or customer.

7.4 PRODUCT USE WARNING

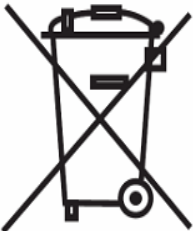
Blue-White products are manufactured to meet the highest quality standards in the industry. Each product instruction manual includes a description of the associated product warranty and provides the user with important safety information. Purchasers, installers, and operators of Blue-White products should take the time to inform themselves about the safe operation of these products. In addition, Customers are expected to do their own due diligence regarding which products and materials are best suited for their intended applications. Blue-White is pleased to assist in this effort but does not guarantee the suitability of any particular product for any specific application as Blue-White does not have the same degree of familiarity with the application that the customer/end user has. While Blue-White will honor all of its product warranties according to their terms and conditions, Blue-White shall only be obligated to repair or replace its defective parts or products in accordance with the associated product warranties. **BLUE-WHITE SHALL NOT BE LIABLE EITHER IN TORT OR IN CONTRACT FOR ANY LOSS OR DAMAGE WHETHER DIRECT, INDIRECT, INCIDENTAL, OR CONSEQUENTIAL, ARISING OUT OF OR RELATED TO THE FAILURE OF ANY OF ITS PARTS OR PRODUCTS OR OF THEIR NONSUITABILITY FOR A GIVEN PURPOSE OR APPLICATION.**

7.5 CHEMICAL RESISTANCE WARNING

Blue-White offers a wide variety of wetted parts. Purchasers, installers, and operators of Blue-White products must be well informed and aware of the precautions to be taken when injecting or measuring various chemicals, especially those considered to be irritants, contaminants or hazardous. Customers are expected to do their own due diligence regarding which products and materials are best suited for their applications, particularly as it may relate to the potential effects of certain chemicals on Blue-White products and the potential for adverse chemical interactions. Blue-White tests its products with water only. The chemical resistance information included in this instruction manual was supplied to Blue-White by reputable sources, but Blue-White is not able to vouch for the accuracy or completeness thereof. While Blue-White will honor all of its product warranties according to their terms and conditions, Blue-White shall only be obligated to repair or replace its defective parts or products in accordance with the associated product warranties. **BLUE-WHITE SHALL NOT BE LIABLE EITHER IN TORT OR IN CONTRACT FOR ANY LOSS OR DAMAGE, WHETHER DIRECT, INDIRECT, INCIDENTAL, OR CONSEQUENTIAL, ARISING OUT OF OR RELATED TO THE USE OF CHEMICALS IN CONNECTION WITH ANY BLUE-WHITE PRODUCTS.**

Blue-White®

Fluid metering solutions made simple



Users of electrical and electronic equipment (EEE) with the WEEE marking per Annex IV of the WEEE Directive must not dispose of end of life EEE as unsorted municipal waste, but use the collection framework available to them for the return, recycle, recovery of WEEE and minimize any potential effects of EEE on the environment and human health due to the presence of hazardous substances. The WEEE marking applies only to countries within the European Union (EU) and Norway. Appliances are labeled in accordance with European Directive 2002/96/EC.

Contact your local waste recovery agency for a *Designated Collection Facility* in your area.