

8" Anti-Entrapment Suction Outlet Cover, Vented Riser Ring and Mud Frame

VGB Series

The AquaStar line of suction outlet covers, compliant with the new Virginia Graeme-Baker Pool and Spa Safety Act (ANSI/APSP 16-2011 AND NSF 50-2008)

Features

For single or multiple drain use
(see installation instructions)

Single - 3" sump depth:
Floor: 88 GPM at 2.0 fps
Wall: 70 GPM at 1.6 fps

Floor/wall: 66.4 GPM at 1.5 fps

14.2 square inch opening

Additional sump and frame versions
also available

#316 stainless steel screws

Manufactured from superior
UV-resistant engineered polymers

Meets or exceeds ANSI/APSP 16-2011
AND NSF 50-2008 national standards
and ASTM G154 UV testing

Listed with IAPMO R&T

24 per case

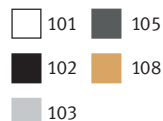


*Fits: AquaStar (all Pre-VGB 8" Models), American, Pentair, Color Match, Waterway and most Custom Molded (CMP)

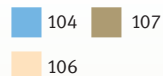
Part # 8AVWRxxx

8" Round Vented Riser Ring also sold separately
Part # 8RRxxx

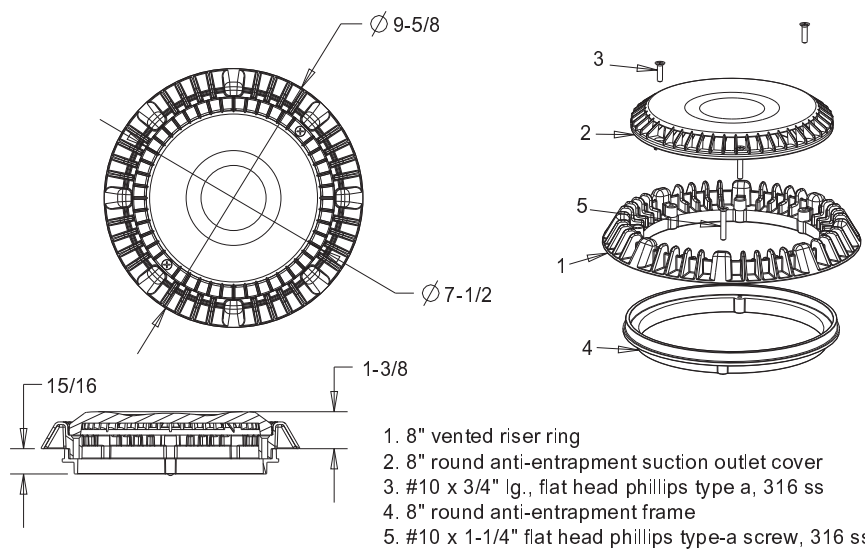
STANDARD COLORS



OPTIONAL COLORS



VGB 2008 Compliant



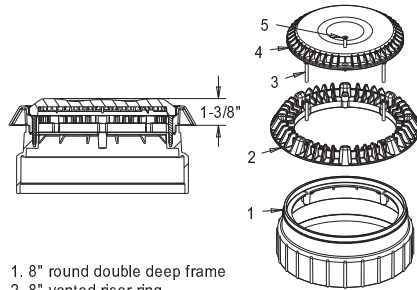
1. 8" vented riser ring
2. 8" round anti-entrapment suction outlet cover
3. #10 x 3/4" lg., flat head phillips type a, 316 ss
4. 8" round anti-entrapment frame
5. #10 x 1-1/4" flat head phillips type-a screw, 316 ss

ADDITIONAL PRODUCT CONFIGURATIONS FOR 8AVWRxxx

Double-Deep Sump



Part #
8AVWRxxxA
4 per case

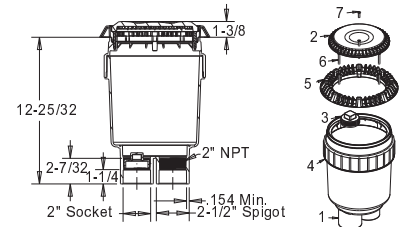


1. 8" round double deep frame
2. 8" vented riser ring
3. #10 x 1-1/2" flat head phillips type-a screw, 316 ss
4. 8" anti-entrapment suction outlet cover

Dual-Port 2 1/2" Spigot x 2" Socket Deep PVC Sump



Part #
8AVWRxxxB
4 per case

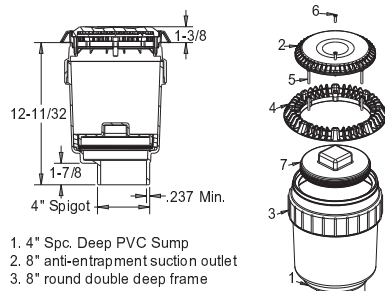


1. Dual port 2-1/2" spigot x 2" socket deep PVC sump
2. 8" anti-entrapment suction outlet cover
3. 2" tapered pipe thread plug
4. 8" round double deep frame
5. 8" vented riser ring
6. #10 x 1-1/2" flat head phillips type-a screw, 316 ss
7. #10 x 3/4" lg flat head phillips screw, 316 ss

4" Spigot Deep PVC Sump



Part #
8AVWRxxxC
4 per case

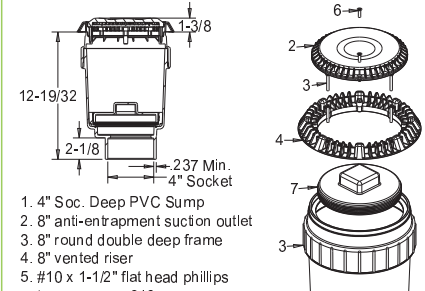


1. 4" Spc. Deep PVC Sump
2. 8" anti-entrapment suction outlet
3. 8" round double deep frame
4. 8" vented riser
5. #10 x 1-1/2" flat head phillips type-a screw, 316 ss
6. #10 x 3/4" lg flat head phillips type-a screw, 316 ss
7. Plug, 4" NPT, deep sump bucket

4" Socket Deep PVC Sump



Part #
8AVWRxxxD
4 per case

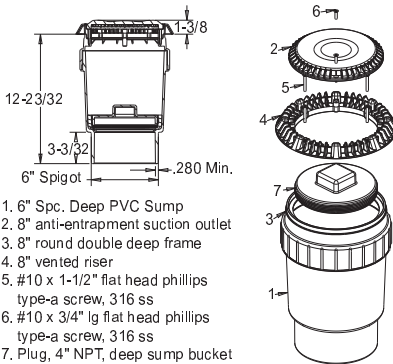


1. 4" Soc. Deep PVC Sump
2. 8" anti-entrapment suction outlet
3. 8" round double deep frame
4. 8" vented riser
5. #10 x 1-1/2" flat head phillips type-a screw, 316 ss
6. #10 x 3/4" lg flat head phillips type-a screw, 316 ss
7. Plug, 4" NPT, deep sump bucket

6" Spigot Deep PVC Sump



Part #
8AVWRxxxE
4 per case

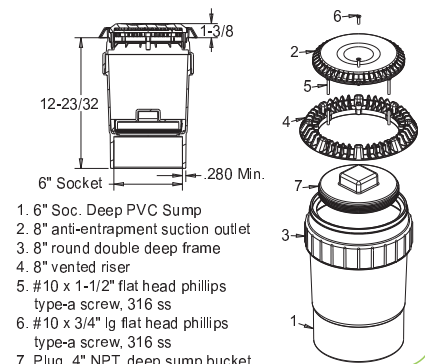


1. 6" Spc. Deep PVC Sump
2. 8" anti-entrapment suction outlet
3. 8" round double deep frame
4. 8" vented riser
5. #10 x 1-1/2" flat head phillips type-a screw, 316 ss
6. #10 x 3/4" lg flat head phillips type-a screw, 316 ss
7. Plug, 4" NPT, deep sump bucket

6" Socket Deep PVC Sump



Part #
8AVWRxxxF
4 per case

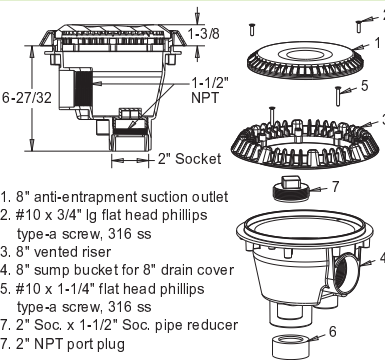


1. 6" Soc. Deep PVC Sump
2. 8" anti-entrapment suction outlet
3. 8" round double deep frame
4. 8" vented riser
5. #10 x 1-1/2" flat head phillips type-a screw, 316 ss
6. #10 x 3/4" lg flat head phillips type-a screw, 316 ss
7. Plug, 4" NPT, deep sump bucket

8" Standard Sump



Part #
8SBWRxxx
8 per case

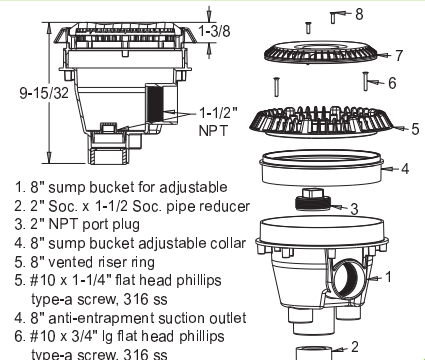


1. 8" anti-entrapment suction outlet
2. #10 x 3/4" lg flat head phillips type-a screw, 316 ss
3. 8" vented riser
4. 8" sump bucket for 8" drain cover
5. #10 x 1-1/4" flat head phillips type-a screw, 316 ss
6. 2" Soc. x 1-1/2" Soc. pipe reducer
7. 2" NPT port plug

8" Standard Sump with Adjustable Collar



Part #
8SBACRxxx
8 per case



1. 8" sump bucket for adjustable
2. 2" Soc. x 1-1/2" Soc. pipe reducer
3. 2" NPT port plug
4. 8" sump bucket adjustable collar
5. 8" vented riser ring
6. #10 x 1-1/4" flat head phillips type-a screw, 316 ss
7. 8" anti-entrapment suction outlet
8. #10 x 3/4" lg flat head phillips type-a screw, 316 ss