

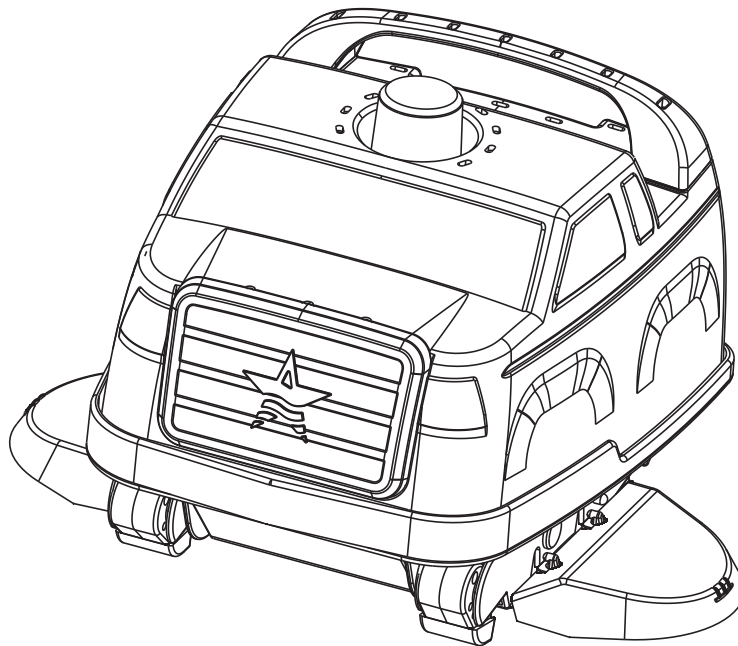
**AQUASTAR**<sup>®</sup>  
pool products



## INSTALLATION MANUAL

**STARZTRUCK**<sup>™</sup>  
driving your pool clean<sup>™</sup>

### AUTOMATIC SUCTION POOL CLEANER



877.768.2717 FAX: 877.276.POOL (7665)

Outside the U.S.: +1.805.620.5060 FAX: +1.949.336.1940

[www.aquastarpoolproducts.com](http://www.aquastarpoolproducts.com) [info@aquastarpoolproducts.com](mailto:info@aquastarpoolproducts.com)

## THE STARZTRUCK AUTOMATIC SUCTION SIDE POOL CLEANER FEATURES:

- Programmed movement for better cleaning
- Efficient, quiet operation
- Highly engineered for durability
- Simple installation, no additional tools required
- Vinyl/fiberglass or concrete
- Easy grip roll bar handle
- Private label grill insert available
- Patent-pending design



**KIT INCLUDES CLEANER, NINE CONNECTOR HOSES, ONE LEADER HOSE, REGULATOR VALVE, SKIMMER CONE, SAFETY VACUUM LOCK WALL FITTING AND OWNER'S MANUAL.**

AVAILABLE COLOR COMBINATIONS				
TOP/BOTTOM/HANDLE&GRILL/HOSE	PART#	TYPE	PART#	TYPE
White/White/White/White	SZT0101-H	Concrete	SZTV0101-H	Vinyl/ Fiberglass
Black/Black/Black/Grey	SZT0202-H	Concrete	SZTV0202-H	Vinyl/ Fiberglass
Grey/Black/Black/Grey	SZT0302-H	Concrete	SZTV0302-H	Vinyl/ Fiberglass
Deep Blue/White/White/White	SZT1001-H	Concrete	SZTV1001-H	Vinyl/ Fiberglass
Aqua Blue/White/White/White	SZT1601-H	Concrete	SZTV1601-H	Vinyl/ Fiberglass

See pages 14-16 for a complete list of replacement parts and kits available from ProStar™ Replacement Parts, a division of AquaStar Pool Products.

## THE STARZTRUCK AUTOMATIC POOL CLEANER

Thank you for purchasing the StarzTruck automatic pool cleaner. AquaStar proudly manufactures and assembles all of their products in the U.S.

The StarzTruck automatic pool cleaner works from the **suction side** of your pool filter system – subject to the GPM (gallons per minute) of the suction line. Designed to operate and install simply with most swimming pools, occasionally additional hoses and/or parts are needed to complete your special situation. For technical assistance and parts availability, call AquaStar Pool Products at 877.768.2717.

Keep this installation manual on file – with your receipt, purchase date and serial number. The installation instructions are also available online at [www.aquastarpoolproducts.com](http://www.aquastarpoolproducts.com).

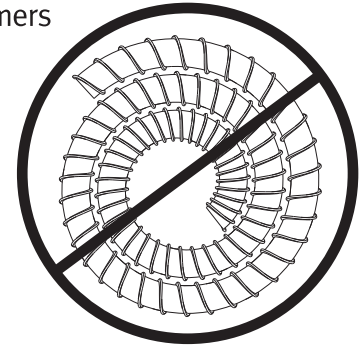
Always remove the StarzTruck automatic pool cleaner and hoses before swimmers enter the pool. It is not a toy and is not intended for children to play with.

When removed from the pool, keep the StarzTruck automatic pool cleaner disconnected and stored in a shaded safe place – away from all chewing animals! **The hoses must be stored straight. DO NOT COIL!**

Carry the StarzTruck automatic pool cleaner by the handle only.

With sidewall suction connections, always install a USPC-approved safety vacuum lock (AquaStar p/n VLK15Txx). When the StarzTruck automatic pool cleaner is removed, make sure the safety vacuum lock wall fitting cap is securely covering the sidewall suction port and snapped shut.

SAFETY FIRST!



### REMEMBER THESE IMPORTANT FACTS!

Before installing the StarzTruck automatic pool cleaner:

- Manually clean/vacuum the pool and clean all skimmer, pump and debris baskets.
- Clean or backwash the filter.
- Check that the water is at its proper level.
- Check water chemistry – make sure the pool is free from excess algae to ensure proper operation of StarzTruck automatic pool cleaner.

Never use the StarzTruck automatic pool cleaner to remove plaster/pebble debris in new or remodeled pools.

Always remove the StarzTruck automatic pool cleaner before backwashing or chemically shocking the pool.

## STEP 1: CONNECTING AND SUBMERGING THE HOSES AND CLEANER

There are nine connector hoses and one leader hose with a grey hose cuff. The hose cuff connects to the top of the StarzTruck automatic pool cleaner (see Fig. 1).

Connect the StarzTruck automatic pool cleaner hose sections together by pushing and twisting the tapered male connector end of each hose firmly into the open female end of the adjacent hose section (see Fig. 2). Depending on the size and shape of your pool, all hose sections might not be used. The hose should reach from the skimmer or safety vacuum lock wall fitting (AquaStar p/n VLK15Txx) to the furthest point in the pool plus one extra hose section. If the hose is not long enough, it will be necessary to purchase additional hose sections from your pool dealer. After the correct hose length has been assembled, fill the hose completely with water by lowering the attached StarzTruck automatic pool cleaner and then vertically pushing the hose down, allowing all the air to escape. If optional leaf canister (AquaStar p/n HWN152) is purchased, install between first and second hose sections (see Fig. 3).

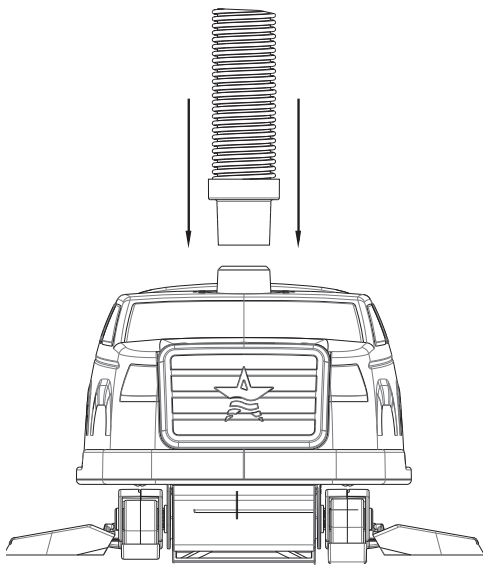


Fig. 1

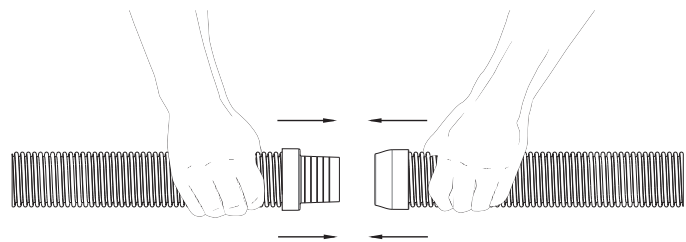


Fig. 2

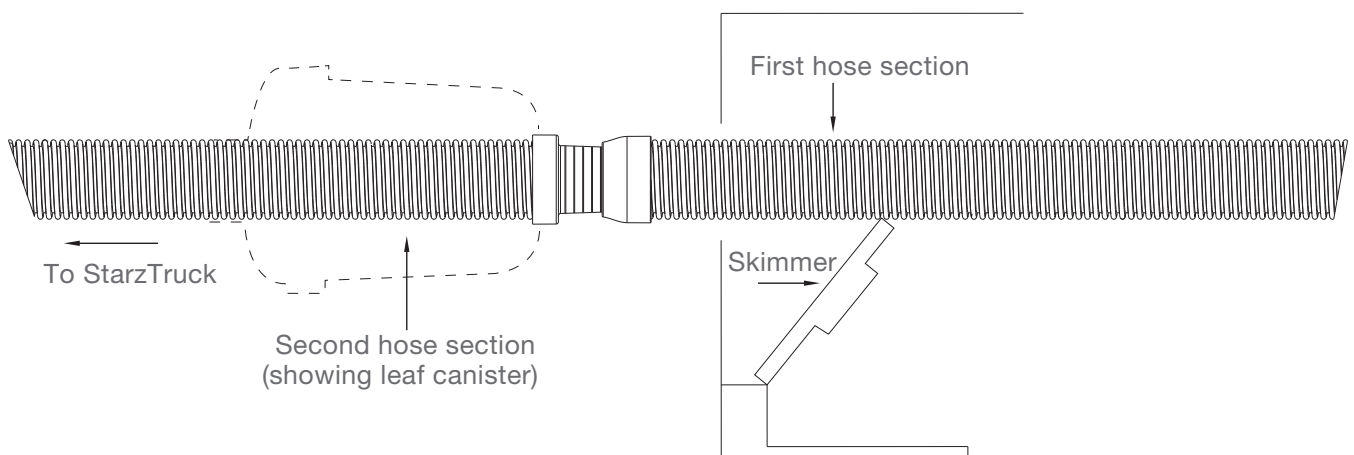


Fig. 3

## STEP 2: CONNECTING TO SUCTION

Connect the skimmer cone adapter (p/n HWN152) to the regulator valve (p/n HWN161) and then insert the skimmer cone into:

- A. The suction port of the skimmer (see Fig. 4) or
- B. The wall port safety vacuum lock without a three-way or ball valve (see Fig. 5) or
- C. Without the skimmer cone and regulator valve – insert the male end of the hose directly into the safety vacuum lock wall fitting port – with a three-way or ball valve (see Fig. 6)

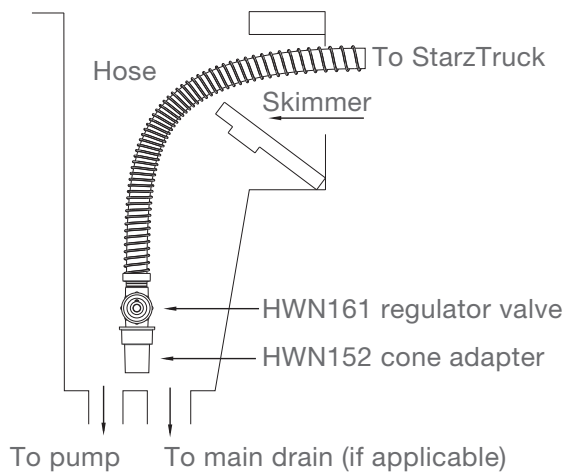


Fig. 4

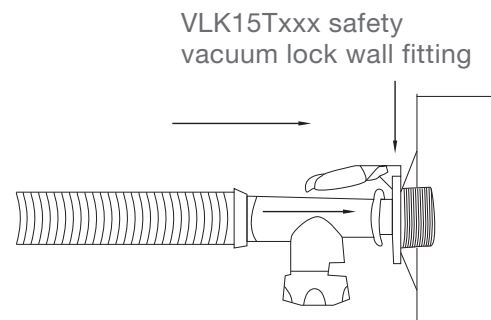


Fig. 5

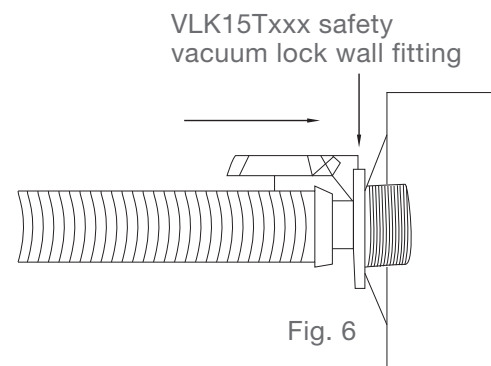
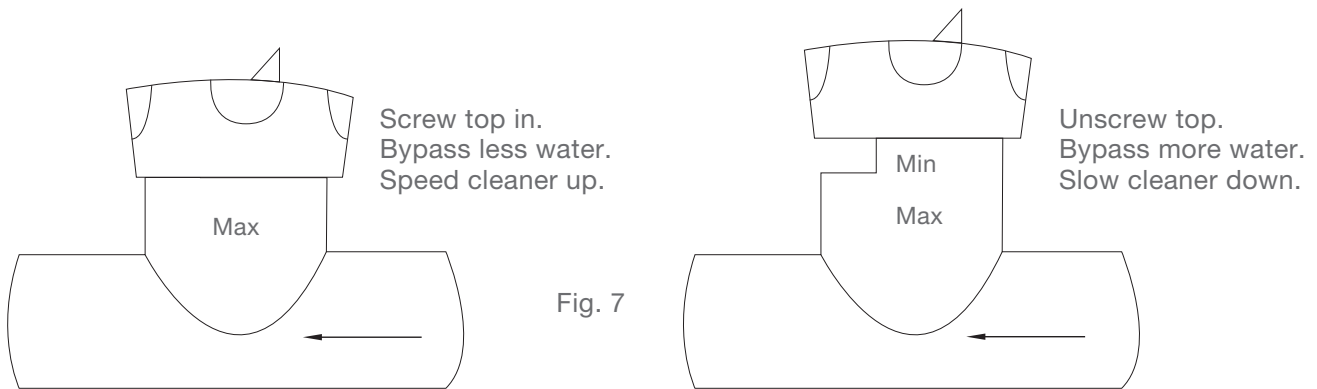


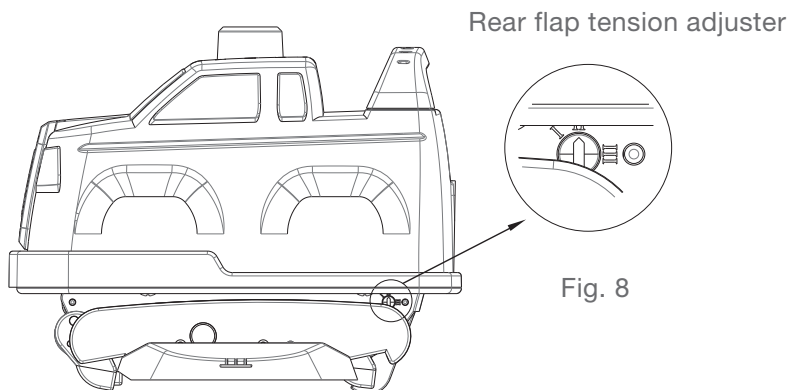
Fig. 6

### STEP 3: ADJUSTING YOUR STARZTRUCK AUTOMATIC POOL CLEANER

Observe your StarzTruck automatic pool cleaner in operation at higher speed with dual or variable speed pumps. Adjust the regulator, three-way or ball valves to speed up or slow down the cleaner (see Fig. 7). When the StarzTruck automatic pool cleaner seems to be spending too much time against steps, vertical walls and other obstructions, turn the rear flap tension adjuster to position I (see Fig. 8). The rear flap adjuster is preset to II. Sometimes adjusting your flow valve up or down will help. Nevertheless, custom pools with interior bar stools, fountains, planters, etc., will require someone to physically free the cleaner from its entrapment.



The StarzTruck automatic pool cleaner will climb vertical walls in concrete and fiberglass pools (not vinyl) if there is at least a 12-inch radius where the floor meets the walls. Because of the internal programmed gear box, the cleaner will not climb the wall every time. Likewise, it will not always go all the way up the wall. If the StarzTruck automatic pool cleaner is not sticking to the wall, set the rear flap to position III (see Fig. 8) and/or adjust your regulator valve(s). If the cleaner climbs above the waterline and sucks air, set the rear flap to position I (see Fig. 8) and/or adjust your regulator valve(s).



## STARZTRUCK AUTOMATIC POOL CLEANER SERVICE TIPS

### CHECK THE CONDITION OF THE SHOES, WINGS AND FLAPS PERIODICALLY

The shoes and wings have wear indicators on their sides and should be checked occasionally to determine if they need replacing. The shoe wear indicator is a line on the side of the shoe that appears as a difference in texture. When this texture difference is no longer visible at the bottom of the shoe when viewed from either side, the shoes must be changed (see Fig. 9). Also on the side, the wing wear indicator is a horizontal line which has three vertical lines above it. When you can no longer see the horizontal line, the wings must be changed (see Fig. 10).

### SHOE REPLACEMENT

- A. Turn unit upside down.
- B. Insert screwdriver between foot and shoe on one of the pods (see Fig. 9).
- C. Using a lifting motion, remove the shoe from the foot.
- D. Dip a new shoe in water and attach the shoe to the foot, making sure to put the small post into the small hole and the large post into the large hole. These posts and holes are different sizes to prevent the shoes from being improperly installed.
- E. Repeat steps b, c and d for each shoe.

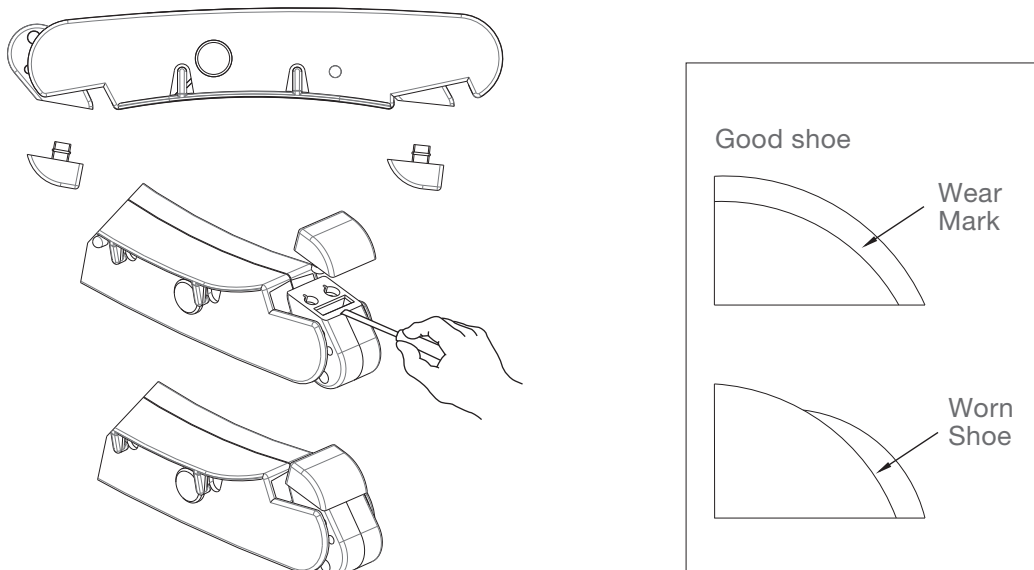


Fig. 9

## STARZTRUCK AUTOMATIC POOL CLEANER SERVICE TIPS

### WING REPLACEMENT

- A. Using a screwdriver, remove the plugs from both pods (see Fig. 10).
- B. Remove the old wings by bending the wings up toward the sides of the cleaner, and lift them off their hooks (see Fig. 11). If any of the wing hooks are broken, take the StarzTruck automatic pool cleaner to your dealer for pod replacement as the cleaner will not function properly if the wings are not properly attached.
- C. Replace the wings, making sure that you match the “L” (left) and “R” (right) of the pods.
- D. Replace the pod plugs and tap them into place

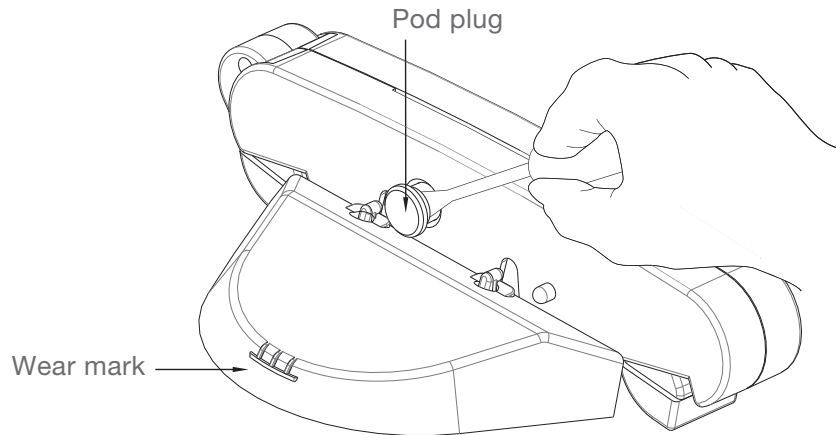


Fig. 10

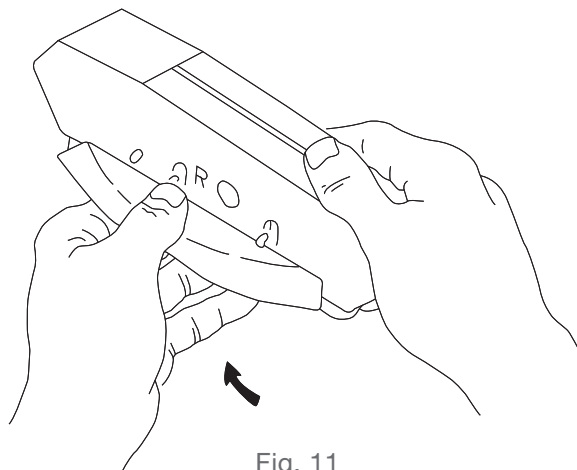


Fig. 11

## STARZTRUCK AUTOMATIC POOL CLEANER SERVICE TIPS

### FLAP REPLACEMENT

- A. Remove the front and rear flaps from your StarzTruck automatic pool cleaner by inserting a small screwdriver between the flap and the lower body near the pivot point of the flaps (see Fig. 12).

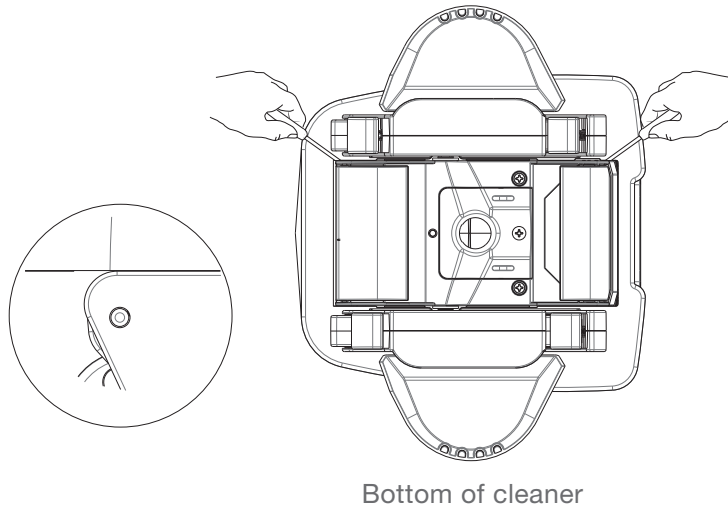


Fig. 12

- B. You will notice that your replacement flaps look similar but are marked “Front” and “Rear” on the flap. Because the springs in the flaps are different, it is absolutely necessary to install the proper flap in the front and rear of the unit. Failure to do so will result in unsatisfactory performance of the StarzTruck automatic pool cleaner. When installing the front flap, be sure that the extended leg of the spring is inserted into the notch on the front of the lower body (see Fig. 13). Push the flap in place. You will feel and hear a snap when the flap is in place. Fold the flap in toward the bottom of the StarzTruck automatic pool cleaner. You will feel some resistance at this point (that is normal). As the flap snaps into its normal position, you will feel the spring action and notice that the front flap is now in its normal operating position. When installing the rear flap, the extended leg of the spring must fit against one of the flat surfaces of the cam (see Fig. 13).

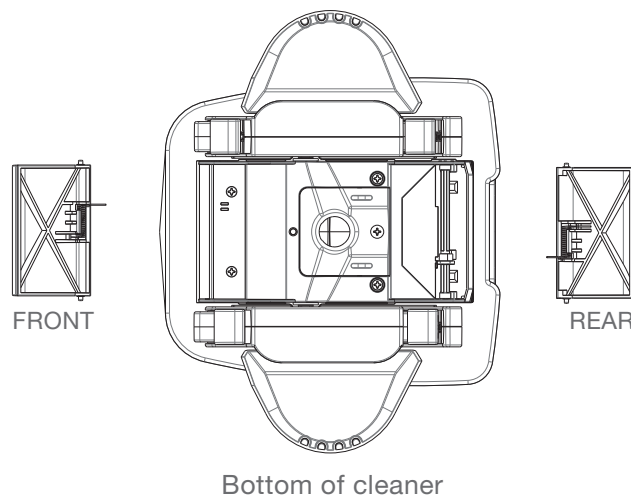


Fig. 13

## STARZTRUCK AUTOMATIC POOL CLEANER SERVICE TIPS

### STARZTRUCK AUTOMATIC POOL CLEANER BUMPER REPLACEMENT

Replacement of the StarzTruck automatic pool cleaner bumper is not recommended as a “do it yourself” repair, because there is a slight possibility that the replacement might cause a problem in the propulsion system. We strongly suggest that you consult your dealer for this repair.

A #2 phillips screwdriver is necessary for this repair.

1. Turn off pump.
2. Remove StarzTruck automatic pool cleaner from pool.
3. Disconnect StarzTruck automatic pool cleaner from leader hose.
4. Turn StarzTruck automatic pool cleaner upside down and place it in a position that is steady/firm.
5. Locate and loosen the captive screw behind the throat in the center of the bottom (see Figs. 14, 15 & 16).
6. Lift the bottom opening (see Figs. 15 & 16)
7. Remove four “A” screws (see Fig. 14).
8. Lift the lower body assembly off the StarzTruck automatic pool cleaner (see Fig. 14).
9. Remove four “B” screws (see Fig. 14).
10. Remove bumper carefully, making sure that other cleaner parts are not moved or disturbed.
11. Remove two “C” screws (see Fig. 14).
12. Replace bumper, again making sure that other cleaner parts are not moved or disturbed.
13. Reinstall screws and parts, following steps in reverse – 11, 9, 8, 7, 6, 5, 4, 3.
14. Reinstall StarzTruck automatic pool cleaner in pool per installation instructions.

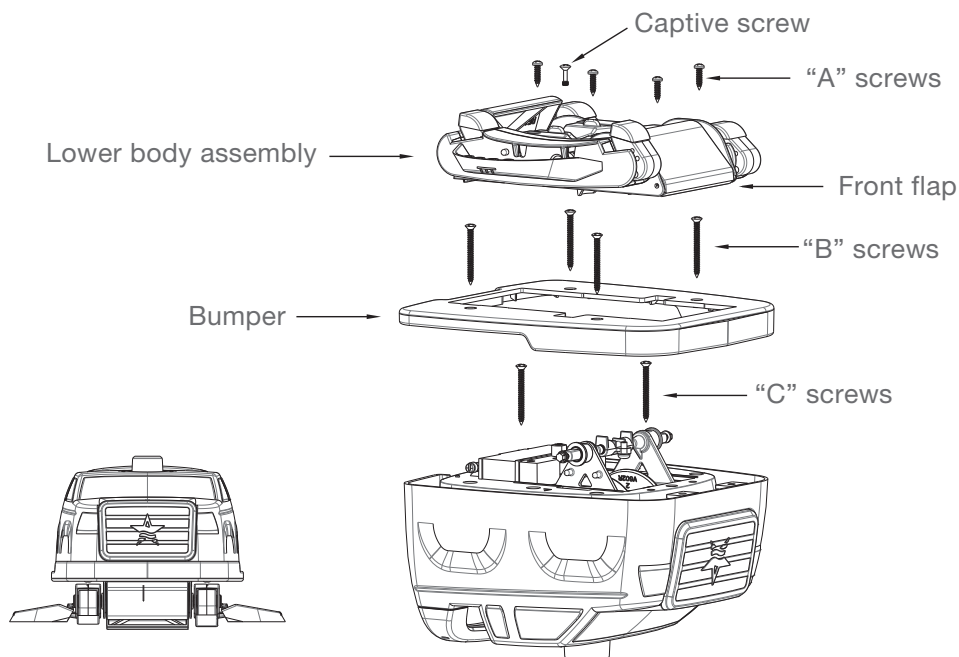


Fig. 14

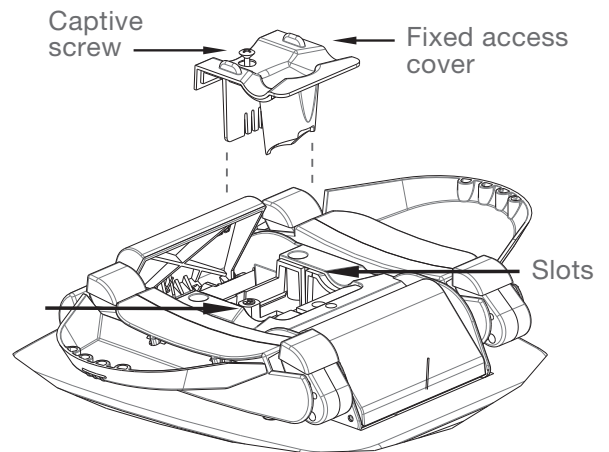
## STARZTRUCK AUTOMATIC POOL CLEANER SERVICE TIPS

### BOTTOM OPENING REMOVAL AND CLEANING INSTRUCTIONS

#### REMOVING THE BOTTOM OPENING

Should the StarzTruck automatic pool cleaner stop moving or become sluggish due to debris trapped in the throat or inside the unit, the turbine/vacuum chamber is accessible following these instructions.

1. Turn off pump.
2. Remove StarzTruck automatic pool cleaner from pool.
3. Disconnect StarzTruck automatic pool cleaner from leader hose.
4. Turn StarzTruck automatic pool cleaner upside down.
5. Locate and loosen the captive screw behind the throat in the center of the bottom (see Figs. 15 & 16).
6. Lift bottom opening (see Figs. 15 & 16).
7. Clean turbine/vacuum chamber (see Fig. 17).
8. Check turbine for free movement.
9. Reinstall bottom opening by lining up the fixed access cover with the two slots shown in Figs. 15 & 16. Slide the cover in place and tighten the captive screw.
10. Reinstall StarzTruck automatic pool cleaner in pool per installation instructions.



Bottom of cleaner  
(concrete)

Fig. 15

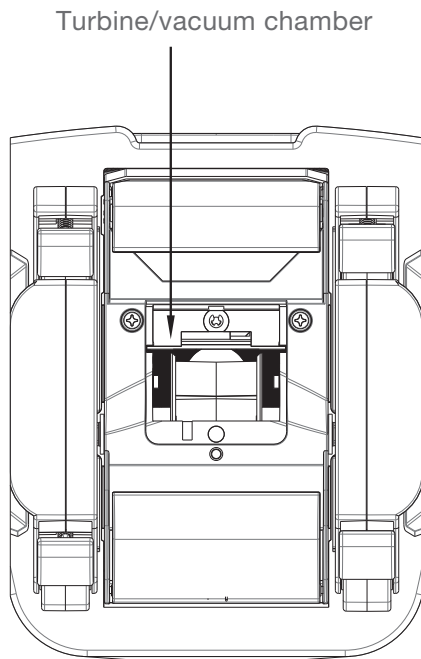
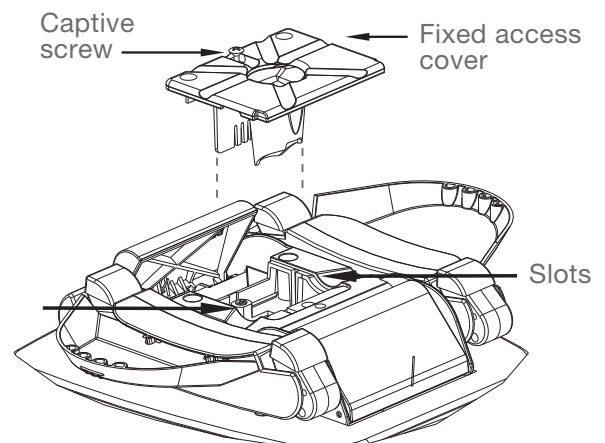


Fig. 17



Bottom of cleaner  
(vinyl)

Fig. 16

## STARZTRUCK AUTOMATIC POOL CLEANER TROUBLESHOOTING GUIDE

### PROBLEM: SLOW/NO FORWARD MOVEMENT

CAUSES	SOLUTIONS
Lack of/improper water flow through cleaner	Adjust water flow per step 3, Fig. 8
Partial blockage of StarzTruck throat	Clear blockage
Worn shoes	Replace shoes
Worn wings	Replace wings

### PROBLEM: CLEANER FAILS TO CLIMB VERTICAL WALLS GUNITE/CONCRETE POOL

CAUSES	SOLUTIONS
Improper shoes for application	Call AquaStar
Lack of/improper water flow through cleaner	Adjust water flow per step 3, Fig. 8
Partial blockage of StarzTruck throat	Clear blockage
Worn shoes	Replace shoes
Worn wings	Replace wings
Hose too short	Install additional hose sections per installation Instructions
Improper tension on rear flap	Turn rear flap adjuster to III

## STARZTRUCK AUTOMATIC POOL CLEANER TROUBLESHOOTING GUIDE

### PROBLEM: CLEANER CLIMBS TO SURFACE AND SUCKS AIR

CAUSES	SOLUTIONS
Too much/improper water flow through cleaner	Adjust water flow per step 3, Fig. 7
Improper tension on rear flap	Turn rear flap adjuster to I If still climbing too much, reduce water flow until proper operation is achieved
Steering failure	<ol style="list-style-type: none"><li>1. Check and clean rear screen</li><li>2. Check to see that cone gear is free and rotates smoothly in both directions</li><li>3. Check medium turbine and spindle gear assemblies for malfunction</li></ol>

### PROBLEM: CLEANER HEAD FLOATS

CAUSES	SOLUTIONS
Cleaner head or return line has air in it	Remove all air from cleaner head  Stop all air from entering the pool through the return lines  If cleaner head and hose are covered with fine bubbles, give the hose a good tug. This will release the air bubbles and allow the cleaner head to settle to the bottom of the pool until the hose is covered with bubbles again
The cleaner head is being pulled or lifted off the bottom of the pool by the cleaner hose or return line flow – either at the surface or at the bottom of the pool – or both	Readjust return lines to prevent water flow from interfering with cleaner head and/or hose

## STARZTRUCK AUTOMATIC POOL CLEANER TROUBLESHOOTING GUIDE

### PROBLEM: CLEANER STICKS AT STEPS, CORNERS, ETC.

CAUSES	SOLUTIONS
Improper water flow	Adjust water flow per step 3, Fig. 8
Worn shoes	Replace shoes
Worn wings	Replace wings
Hose too short	Install additional hose per installation instructions
Steering failure	<ol style="list-style-type: none"><li>1. Check and clean rear screen</li><li>2. Check to see that cone gear is free and rotates smoothly in both directions</li><li>3. Check steering program and troubleshoot – then:<ol style="list-style-type: none"><li>A. clean, repair or replace gearbox</li><li>B. check pod/A-frame connection and replace if necessary. Do not attempt to retighten loose pods.</li><li>C. check medium turbine and spindle gear assemblies</li></ol></li></ol>

## STARZTRUCK AUTOMATIC POOL CLEANER DISCLAIMER

- A. Pool plaster is affected by age, water chemistry, etc.
  - B. Pool plaster can deteriorate over a period of time.
  - C. The integrity of “good” pool plaster is such that a pool vacuum cleaner – automatic or manual – cannot remove that plaster.
  - D. The integrity of “good” pool plaster is such that the plaster will cause wear on the StarzTruck automatic pool cleaner – not vice versa.
  - E. Vinyl and fiberglass are affected by age, sunlight and water chemistry.
  - F. Vinyl can become brittle and weak.
  - G. Vinyl can also be affected by the installation and the pool’s surroundings.
  - H. When installing the StarzTruck automatic pool cleaner, you assume all responsibility for the condition of the pool and the pool’s surroundings.
- To better serve you, please have the following information available if you call AquaStar’s Technical Support Department:
1. The purchase date and purchase location of your StarzTruck automatic pool cleaner.
  2. The serial number of your StarzTruck automatic pool cleaner.
  3. The number of hose sections used.

## STARZTRUCK AUTOMATIC POOL CLEANER LIMITED WARRANTY

This limited warranty is only valid if the warranty card has been filled out and returned with proof of purchase within allotted time period. This limited warranty is extended to the original purchaser (consumer) from the manufacturer of the StarzTruck Automatic Pool Cleaner, AquaStar Pool Products, Inc., 2340 Palma Drive, Warranty Dept. 104, Ventura, CA 93003, USA. Phone 877.768.2717, outside the USA +1.805.620.5060.

AquaStar warrants this cleaner to be free from defects in materials and workmanship for a period of one year from the original date of purchase subject to all the following conditions and exclusions.

1. Should the cleaner fail to be in good working order in accordance with the above schedule, AquaStar will at its option repair or replace the cleaner or any defective parts at no additional charge except as set forth below. Repair parts and replacement products will be furnished on an exchange basis and will be new or functionally equivalent. All parts removed as a result of replacement shall become the property of AquaStar. Liability of AquaStar and the sole remedy of the purchaser whether in contract under any warranty, in tort (including negligence), in strict liability or otherwise, shall be limited to the repair or replacement of defective parts only and shall in no event exceed return of the amount of the purchase price paid by the purchaser.
2. This limited warranty is for the replacement of alleged defective parts during the term of the warranty; owner may ship the product by prepaid freight to AquaStar Pool Products, Inc., 2340 Palma Drive, Warranty Dept. 104, Ventura, CA 93003, USA. Enclose a letter including the serial number, date and place of purchase, name, telephone number and address of owner, copy of purchase receipt and a description of the problem. AquaStar, upon determination and at our option, will repair and return to the owner all defective parts that are covered by this warranty. Any parts not covered by this limited warranty will be returned to owner freight collect.
3. This limited warranty is only extended to the original purchaser (consumer) and only during the time in which the original purchaser occupies the premises where the cleaner was originally installed. It does not apply to any subsequent purchasers or recipients of the cleaner.
4. This limited liability warranty includes the replacement of parts due to normal wear but does not include cosmetic situations including but not limited to: discoloration or fading due to sunlight or chemicals, scratches, scuffs, etc.
5. This limited warranty does not cover any loss, damage, injury, or malfunction of the equipment due to the failure to properly maintain and or operate the cleaner, or alteration of the equipment, tampering, and act of God, abuse, misuse, negligence, omissions.
6. This cleaner is intended for a properly designed and maintained swimming pool. This limited warranty does not cover pools that have a defective design, are improperly maintained, and are inappropriate for the StarzTruck automatic pool cleaner's operation.
7. This limited warranty does not cover damage or injury from improper installation, pump running dry, damage due to loss of prime or plugged pipes.
8. This limited warranty does not cover any change in appearance, damage, malfunction due to chemical reactions, etc.
9. AquaStar is not responsible for any loss of time, inconvenience or any consequential expenses such as telephone calls, labor, etc., unless required by law.
10. Deterioration, discoloration or brittleness of pool plaster and vinyl liners can be caused over time separately by or in combination with, age and an imbalance in pool water chemistry, improper installation and other factors. AquaStar hereby disclaims any and all claims, and purchaser releases AquaStar from any and all claims for damages to any pool plaster or vinyl liner in purchaser's pool by reason of the use and/or operation of the cleaner.
11. This limited warranty is only valid in the USA and Canada.
12. This limited warranty is in lieu of any other warranties express or implied, including the warranties of merchantability or fitness. Any such implied warranty imposed by state consumer law is limited in duration to one year from date of purchase.

No distributor, dealer or representative has any authority to make any warranties express or implied concerning StarzTruck automatic pool cleaner except as contained herein. Unless warranty card has been received by AquaStar, AquaStar reserves the right to refuse repair service or to honor warranty.



**877.768.2717 FAX: 877.276.POOL (7665)**

**Outside the USA: +1.805.620.5060 FAX: +1.949.336.1940**

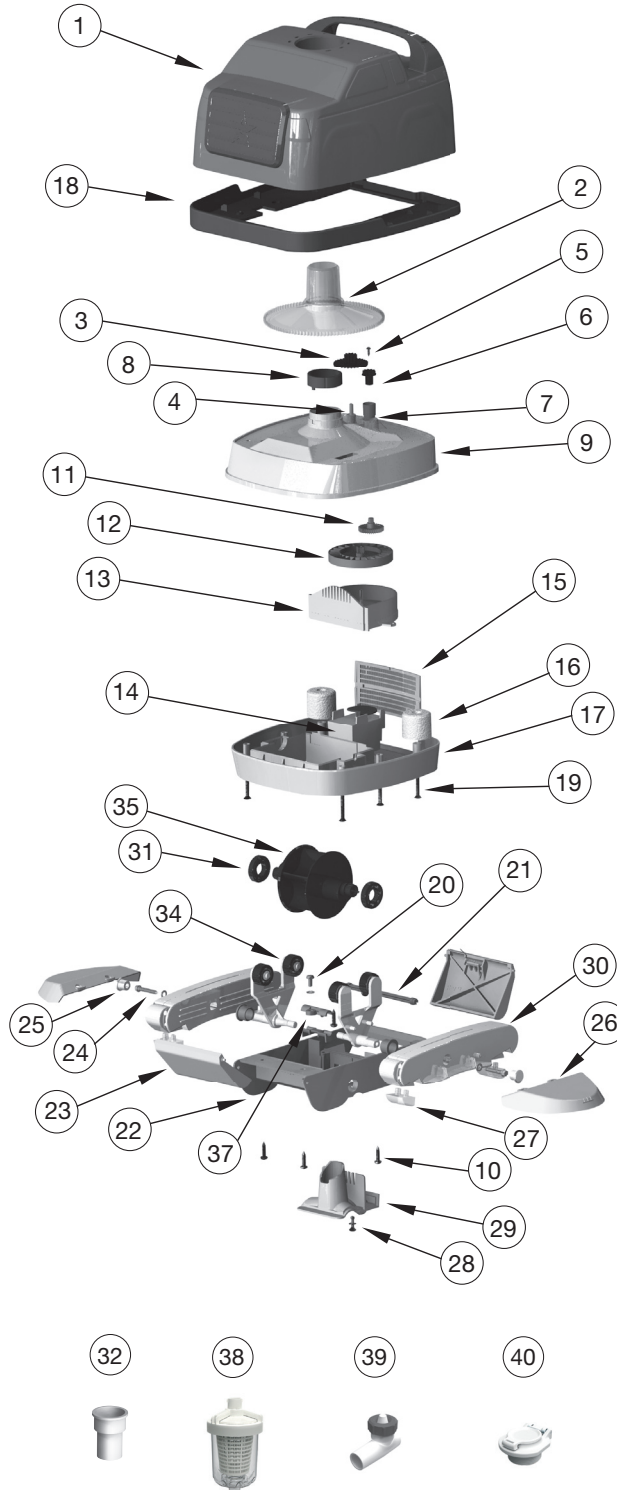
**www.aquastarpoolproducts.com info@aquastarpoolproducts.com**

## PROSTAR™ ALL-AMERICAN REPLACEMENT PARTS FOR THE STARZTRUCK™ AUTOMATIC POOL CLEANER

Discover the quality, price and selection of these dependable ProStar replacement parts. Each one is made to last in the USA, and engineered for a perfect fit. Check out our replacement kits on pages 15-16.

**877-768-2717**

**ProStarReplacementParts.com**

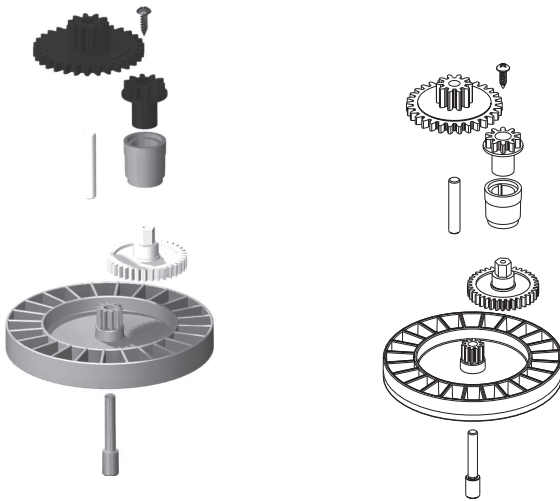


1. Top Shell HWN121xx
2. Cone Gear HWN122
3. Intermediate Gear HWN123
4. Intermediate Gear Shaft HWN124
5. Spindle Gear Screw HWN125
6. Spindle Gear HWN126
7. Spindle Gear Bushing HWN127
8. Cone Gear Bushing HWN128
9. Upper Middle Body HWN129
10. Upper Body Screw Kit (6 Pack) HWN130
11. Medium Turbine Drive Gear HWN131
12. Medium Turbine HWN132
13. Medium Turbine Case with Axle HWN133
14. Gear Box Assembly HWN134
15. Rear Screen HWN135xx
16. Float Kit (2 Pack) HWN136
17. Lower Middle Body HWN137
18. Bumper HWN138xx
19. Middle Body Screw (6 Pack) HWN139
20. Lower Body Screw (4 Pack) HWN140
21. Flap Adjuster HWN141
22. Lower Body HWN142xx
23. Flap Kit HWN143xx
24. Pod Screw Kit HWN110
25. Pod Plugs (6 Pack) HWN111
26. Wing Kit: Left and Right Wings HWN117xx
- 27a. Pod Shoes (4 Pack) for Vinyl HWN114
- 27b. Pod Shoes (4 Pack) for Concrete HWN115
28. Captive Screw / Retaining Clip HWN148
- 29a. Fixed Access Cover Assembly for Concrete Models HWN149xx
- 29b. Fixed Access Cover Assembly for Vinyl Models HWN157xx
30. Pod Kit HWN116xx
31. Turbine Bearings HWN112
32. Skimmer Cone HWN152
33. Medium Turbine/Spindle Gear Kit HWN154 (not shown)
34. Universal A-Frame Kit HWN118
35. Turbine Kit HWN113
36. A-Frame and Turbine Kit HWN119 (not shown)
37. A-Frame/Bushing/Saddle Kit HWN120 (not shown)
38. Leaf Canister HWN162
39. Regulator Valve HWN161
40. Safety Vacuum Lock Wall Fitting VLK15Tx
41. Propulsion/Conversion Kit HWN160 (not shown)

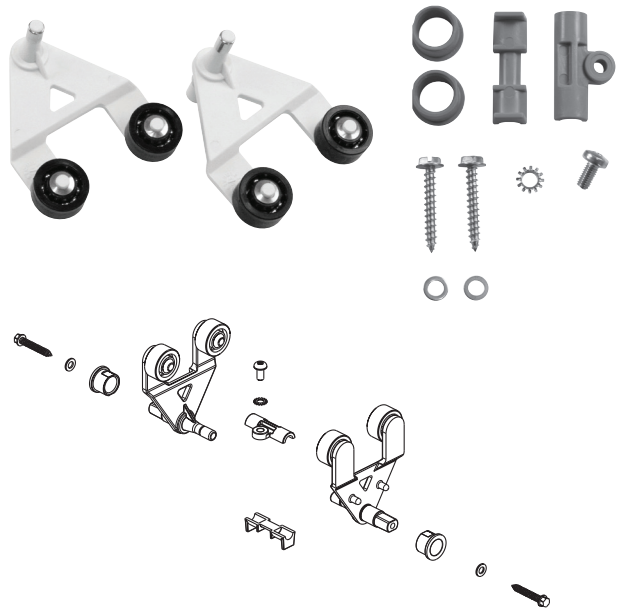
# PROSTAR REPLACEMENT KITS

We've made your pool equipment service and repair a lot easier with these convenient replacement kits. Each one is a complete grouping that contains everything you need for that particular repair. For more information or to stock up on individual replacement parts, visit [ProStarReplacementParts.com](http://ProStarReplacementParts.com) or call 877-768-2717.

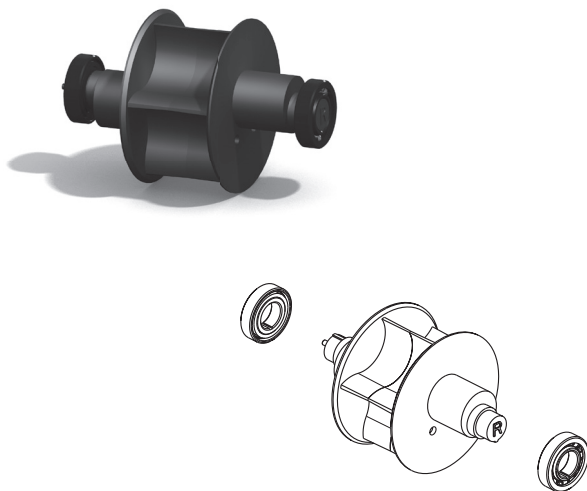
Medium Turbine/Spindle Gear Kit  
HWN154



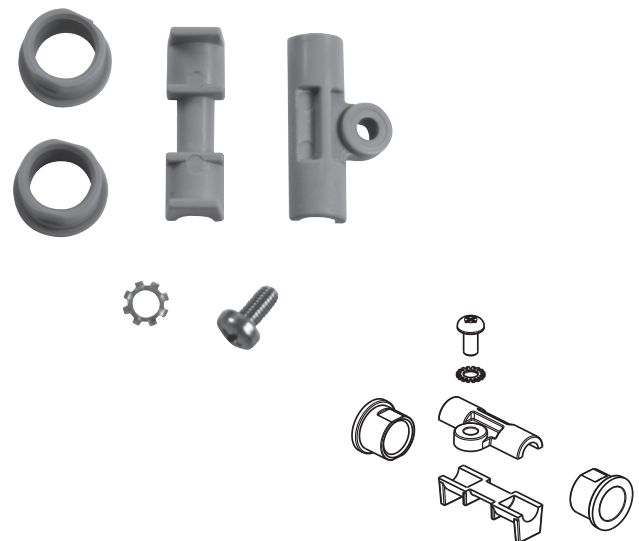
Universal A-Frame Kit  
HWN118



Turbine Kit: Turbine and  
Two Turbine Bearings  
HWN113

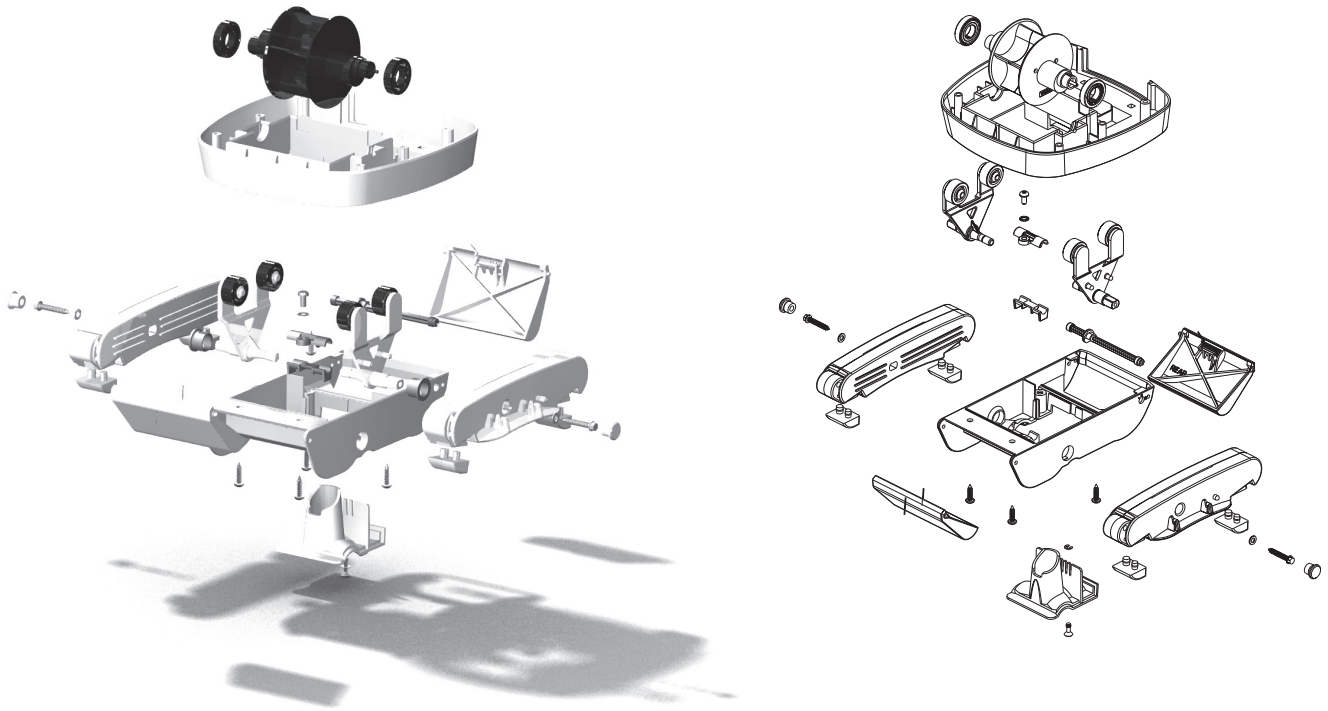


A-Frame/Bushing/Saddle Kit  
HWN120

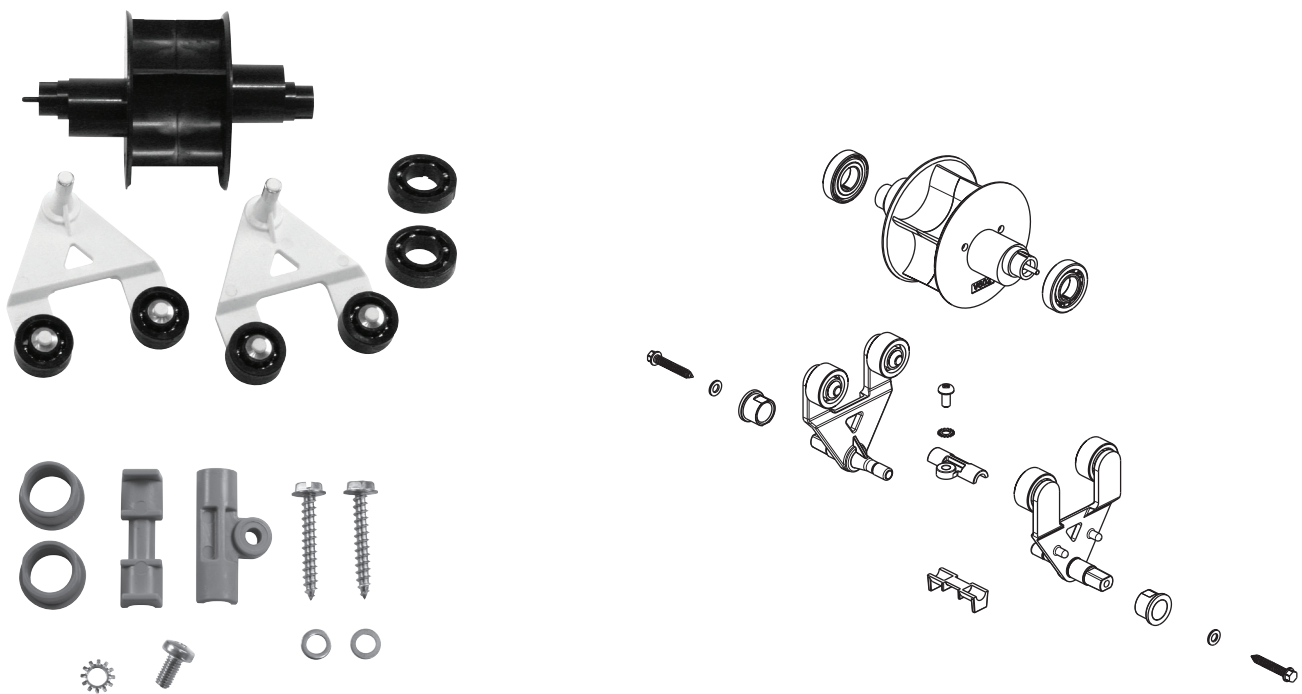


## PROSTAR REPLACEMENT KITS

### Propulsion/Conversion Kit HWN160xx



### A-Frame and Turbine Kit HWN119





# WARRANTY REGISTRATION CARD



**Include a copy of your receipt and return this form within 15 days of purchase.** The additional information requested is to help us understand our customers. The information is NOT sold or shared with any other party. Thank you for your purchase.

FIRST NAME \_\_\_\_\_ LAST NAME \_\_\_\_\_

COMPANY NAME (IF POOL SERVICE OR BUILDER) \_\_\_\_\_

ADDRESS \_\_\_\_\_

CITY \_\_\_\_\_ STATE \_\_\_\_\_ ZIP CODE \_\_\_\_\_

PHONE \_\_\_\_\_ FAX \_\_\_\_\_

EMAIL \_\_\_\_\_

COMMENTS \_\_\_\_\_

\_\_\_\_\_  
\_\_\_\_\_

1. Serial number (found on bottom of cleaner)  
\_\_\_\_\_

5. Name of dealer/builder/service professional where  
purchased: \_\_\_\_\_

2. Type of pool:

- Vinyl
- Fiberglass
- Gunitite
- Other

6. Pool is \_\_\_\_\_ years old.

7. What cleaner is this replacing?  
\_\_\_\_\_

3. Cleaner model:

- Concrete
- Vinyl/fiberglass

8. Are you a:

- Consumer
- Pool Service Technician
- Pool Builder
- Other

4. Date of purchase: \_\_\_\_\_

Please complete and mail with receipt to:  
AquaStar Pool Products, Inc.  
Warranty Registration Dept. 104  
2340 Palma Drive  
Ventura, CA 93003

Or fax to:  
877.276.POOL (7665)  
Outside the U.S.: +1.949.336.1940



**STARZTRUCK™**  
driving your pool clean™

## **AUTOMATIC SUCTION POOL CLEANER**

Please fill out warranty information on reverse side and mail to:

AquaStar Pool Products, Inc.  
Warranty Registration Dept. 104  
2340 Palma Drive  
Ventura, CA 93003

Don't forget to include a copy of your receipt as proof of purchase.